

Compressor ,ACC Cubigel ,Huayi
Electrolux ,ZEM GL80AA / GVY75AA, LBP
– R134a, 220 – 240V/1/50Hz, 1/4 HP,
discharge 7.52 cm³, motor type RSIR /
RSCR, oil type ester, oil charge 180
cm³, 150 W at -25 / +55 °, input
power, current 146 W, 1.16 A,
expansion device: capillary, cooling:
static, weight 8.6 kg

Category: Technologie,Tester ok
written by Lilianne | 4 May 2020

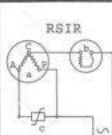
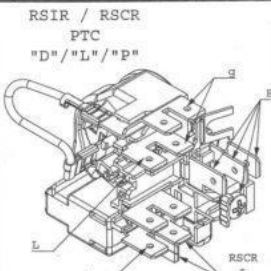
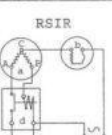
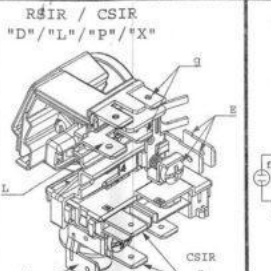

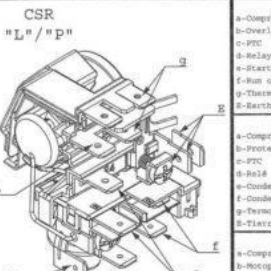
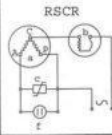
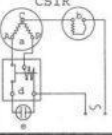
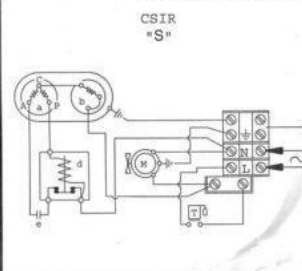
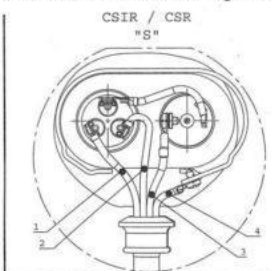

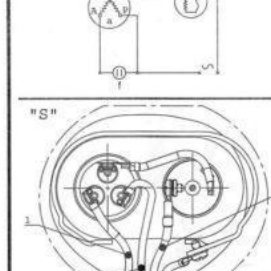
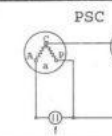
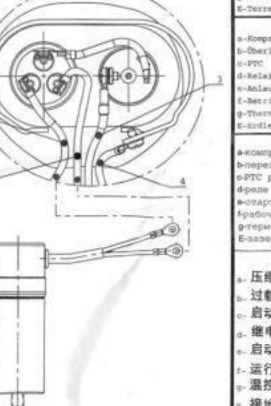
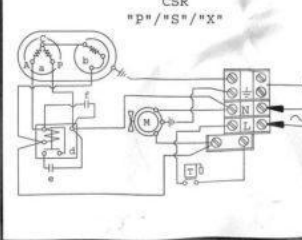
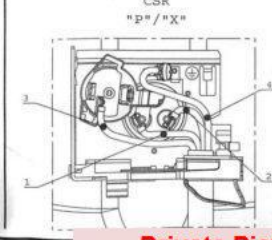
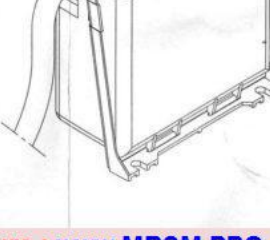
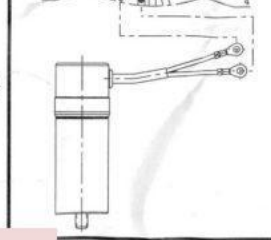
www.mbsm.pro ,ZEL ,COMPRESSEUR ,R134a ,1/4 HP ,GVY75AA

PDF

Mbsm_dot_pro_private_PDF_Cubigel_Katalog_gvy75atTélécharger

Refrigerant:	R134a
Power range(W):	101 – 200 W
Performance range (C):	-35 C to -10 C
Connecting size:	4,9 mm
Suction:	6,5 mm
Working area:	LBP
Design type:	Hermetic
Model series:	GL
Use with:	Capillary
Power range(HP):	0-2
Power supply:	230 V
Oil type:	ISO VG 19 Ester
Engine type:	RSIR RSCR
Article condition:	New
Info:	Oil filled
Shipping weight:	9,60 Kg
Contents:	1,00 Pieces
Dimensions (length × width × height):	23,10 × 16,20 × 18,60 cm
Cooling capacity condition:	T0 -25 C, Tk +55 C
Manufacturer:	ACC Cubigel Huayi Electrolux ZEM
Model:	GL80AA
Modelname:	GVY75AA
Stroke volume (cm ³):	7,52

Cooling capacity (W): 144
 Power (HP): 0,25
 Max. Starting current (A): 11,5
 Max. Operating current (A): 1,16
 Engine type: RSIR / RSCR
 COP: 0,88
 Note: Static cooling
 Conveying and suction volume (m3): 1,4
 Oil quantity (l): 0,18
 Compressor type: Piston
 Power range: -35 C to -10 C
 Alternative: NEK1116Z , NB1116Z , GL75AA, NL9F
 Pressure line (mm): 4,9
 Suction line (mm): 6,5

cubigel compressors		ORIGINAL INSTRUCTIONS MANUAL / MANUAL DE INSTRUCCIONES ORIGINAL / MANUALE D'ISTRUZIONI ORIGINALE / MANUAL D'INSTRUCTIONS ORIGINAL / ORIGINALES ANWEISUNGEN - HANDBUCH / Оригинальное руководство по эксплуатации / 原版操作规程		RANGE / GAMA / GAMMA / GAMME / BAUREIHE / ДИАПАЗОН / 系列 "D"/"L"/"P"/"S"/"X"																									
 <p>RSIR / RSCR PTC "D"/"L"/"P"</p>		 <p>RSIR / CSIR "D"/"L"/"P"/"X"</p>		 <p>CSR "L"/"P"</p>																									
 <p>RSCR</p>		 <p>CSIR</p>																											
<p>EXTERNAL CONNECTING BOX / CAJAS CONEXIONES / SCATOLE CONNESSIONI / BOÎTIER ELECTRIQUE / EXTERNE ELEKTRIKBOX / внешняя клемная коробка / 外置接线盒</p>																													
 <p>CSIR "S"</p>		 <p>CSIR / CSR "S"</p>		 <p>PSC</p>																									
 <p>CSR "P"/"S"/"X"</p>		 <p>CSR "P"/"X"</p>																											
<p>Legend:</p> <table border="0"> <tr> <td>1-Compressor</td> <td>1-White</td> <td>1-Blanco</td> </tr> <tr> <td>2-Overload</td> <td>2-Blue</td> <td>2-Azul</td> </tr> <tr> <td>3-PTC</td> <td>3-Black</td> <td>3- Negro</td> </tr> <tr> <td>4-Relay</td> <td>4-Green</td> <td>4-Verde</td> </tr> <tr> <td>5-Start capacitor</td> <td>yellow</td> <td>4-Verde</td> </tr> <tr> <td>6-Run capacitor</td> <td></td> <td>5-Condens. permanente</td> </tr> <tr> <td>7-Thermistat</td> <td></td> <td>6-Termostato</td> </tr> <tr> <td>8-Start connection</td> <td></td> <td>7-Tierra</td> </tr> </table>						1-Compressor	1-White	1-Blanco	2-Overload	2-Blue	2-Azul	3-PTC	3-Black	3- Negro	4-Relay	4-Green	4-Verde	5-Start capacitor	yellow	4-Verde	6-Run capacitor		5-Condens. permanente	7-Thermistat		6-Termostato	8-Start connection		7-Tierra
1-Compressor	1-White	1-Blanco																											
2-Overload	2-Blue	2-Azul																											
3-PTC	3-Black	3- Negro																											
4-Relay	4-Green	4-Verde																											
5-Start capacitor	yellow	4-Verde																											
6-Run capacitor		5-Condens. permanente																											
7-Thermistat		6-Termostato																											
8-Start connection		7-Tierra																											
<p>Legend:</p> <table border="0"> <tr> <td>1-Compressor</td> <td>1-Blanco</td> <td>1-Blanc</td> </tr> <tr> <td>2-Protector</td> <td>2-Azul</td> <td>2-Bleu</td> </tr> <tr> <td>3-PTC</td> <td>3-Negro</td> <td>3-Noir</td> </tr> <tr> <td>4-Relay</td> <td>4-Verde</td> <td>4-Vert</td> </tr> <tr> <td>5-Condens. permanente</td> <td>amarillo</td> <td>jaune</td> </tr> <tr> <td>6-Termostato</td> <td></td> <td>6-Termostato</td> </tr> <tr> <td>7-Tierra</td> <td></td> <td>7-Terre</td> </tr> </table>						1-Compressor	1-Blanco	1-Blanc	2-Protector	2-Azul	2-Bleu	3-PTC	3-Negro	3-Noir	4-Relay	4-Verde	4-Vert	5-Condens. permanente	amarillo	jaune	6-Termostato		6-Termostato	7-Tierra		7-Terre			
1-Compressor	1-Blanco	1-Blanc																											
2-Protector	2-Azul	2-Bleu																											
3-PTC	3-Negro	3-Noir																											
4-Relay	4-Verde	4-Vert																											
5-Condens. permanente	amarillo	jaune																											
6-Termostato		6-Termostato																											
7-Tierra		7-Terre																											
<p>Legend:</p> <table border="0"> <tr> <td>1-Compressor</td> <td>1-Weiß</td> <td>1-Weiß</td> </tr> <tr> <td>2-Overload</td> <td>2-Blau</td> <td>2-Schwarz</td> </tr> <tr> <td>3-PTC</td> <td>3-Schwarz</td> <td>3-Schwarz</td> </tr> <tr> <td>4-Relay</td> <td>4-Grün</td> <td>4-Gelb</td> </tr> <tr> <td>5-Startkondensator</td> <td></td> <td>5-Startkondensator</td> </tr> <tr> <td>6-Runkondensator</td> <td></td> <td>6-Runkondensator</td> </tr> <tr> <td>7-Thermistat</td> <td></td> <td>7-Thermistat</td> </tr> <tr> <td>8-Startanschluss</td> <td></td> <td>8-Startanschluss</td> </tr> </table>						1-Compressor	1-Weiß	1-Weiß	2-Overload	2-Blau	2-Schwarz	3-PTC	3-Schwarz	3-Schwarz	4-Relay	4-Grün	4-Gelb	5-Startkondensator		5-Startkondensator	6-Runkondensator		6-Runkondensator	7-Thermistat		7-Thermistat	8-Startanschluss		8-Startanschluss
1-Compressor	1-Weiß	1-Weiß																											
2-Overload	2-Blau	2-Schwarz																											
3-PTC	3-Schwarz	3-Schwarz																											
4-Relay	4-Grün	4-Gelb																											
5-Startkondensator		5-Startkondensator																											
6-Runkondensator		6-Runkondensator																											
7-Thermistat		7-Thermistat																											
8-Startanschluss		8-Startanschluss																											
<p>Legend:</p> <table border="0"> <tr> <td>1-Compressor</td> <td>1-Белый</td> <td>1-Белый</td> </tr> <tr> <td>2-Overload</td> <td>2-Синий</td> <td>2-Синий</td> </tr> <tr> <td>3-PTC резистор</td> <td>3-Черный</td> <td>3-Черный</td> </tr> <tr> <td>4-Реле</td> <td>4-Желто-зеленый</td> <td>4-Желто-зеленый</td> </tr> <tr> <td>5-Сtartный конденсатор</td> <td></td> <td>5-Сtartный конденсатор</td> </tr> <tr> <td>6-Рабочий конденсатор</td> <td></td> <td>6-Рабочий конденсатор</td> </tr> <tr> <td>7-Термостат</td> <td></td> <td>7-Термостат</td> </tr> <tr> <td>8-Сtartный</td> <td></td> <td>8-Сtartный</td> </tr> </table>						1-Compressor	1-Белый	1-Белый	2-Overload	2-Синий	2-Синий	3-PTC резистор	3-Черный	3-Черный	4-Реле	4-Желто-зеленый	4-Желто-зеленый	5-Сtartный конденсатор		5-Сtartный конденсатор	6-Рабочий конденсатор		6-Рабочий конденсатор	7-Термостат		7-Термостат	8-Сtartный		8-Сtartный
1-Compressor	1-Белый	1-Белый																											
2-Overload	2-Синий	2-Синий																											
3-PTC резистор	3-Черный	3-Черный																											
4-Реле	4-Желто-зеленый	4-Желто-зеленый																											
5-Сtartный конденсатор		5-Сtartный конденсатор																											
6-Рабочий конденсатор		6-Рабочий конденсатор																											
7-Термостат		7-Термостат																											
8-Сtartный		8-Сtartный																											
<p>Legend:</p> <table border="0"> <tr> <td>1-压缩机</td> <td>1-白色</td> <td>1-白色</td> </tr> <tr> <td>2-过载保护器</td> <td>2-蓝色</td> <td>2-蓝色</td> </tr> <tr> <td>3-启动器</td> <td>3-黑色</td> <td>3-黑色</td> </tr> <tr> <td>4-继电器</td> <td>4-黄-绿色</td> <td>4-黄-绿色</td> </tr> <tr> <td>5-启动电容</td> <td></td> <td>5-启动电容</td> </tr> <tr> <td>6-运行电容</td> <td></td> <td>6-运行电容</td> </tr> <tr> <td>7-温控器</td> <td></td> <td>7-温控器</td> </tr> <tr> <td>8-接地</td> <td></td> <td>8-接地</td> </tr> </table>						1-压缩机	1-白色	1-白色	2-过载保护器	2-蓝色	2-蓝色	3-启动器	3-黑色	3-黑色	4-继电器	4-黄-绿色	4-黄-绿色	5-启动电容		5-启动电容	6-运行电容		6-运行电容	7-温控器		7-温控器	8-接地		8-接地
1-压缩机	1-白色	1-白色																											
2-过载保护器	2-蓝色	2-蓝色																											
3-启动器	3-黑色	3-黑色																											
4-继电器	4-黄-绿色	4-黄-绿色																											
5-启动电容		5-启动电容																											
6-运行电容		6-运行电容																											
7-温控器		7-温控器																											
8-接地		8-接地																											

Private Picture : www.MBSM.PRO

visit our web site www.cubigel.com

02/2010 1164133



Private Picture : www.MBSM.PRO

GLY35AAa	3.68	1/10	LBP	S	220-240V 50Hz -1	RSIR	P	C	33	47	66	0.94	151	78	1.23	8.6	Lb
GLY35AAb	3.68	1/10	LBP	S	220-240V 50Hz -1	RSCR	P	C	32	47	67	0.99	153	79	1.29	8.6	Lb
GLY40AAa	4.02	1/9	LBP	S	220-240V 50Hz -1	RSIR	P	C	35	53	75	0.96	169	89	1.25	8.7	Lb
GLY40AAb	4.02	1/9	LBP	S	220-240V 50Hz -1	RSCR	P	C	36	54	76	1.00	171	90	1.31	8.7	Lb
GLY45AAa	4.56	1/8	LBP	S	220-240V 50Hz -1	RSIR	P	C	47	65	89	1.01	192	104	1.30	8.7	Lb
GLY45AAb	4.56	1/8	LBP	S	220-240V 50Hz -1	RSCR	P	C	48	66	90	1.05	193	105	1.36	8.7	Lb
GLY55AAa	5.46	1/7	LBP	S	220-240V 50Hz -1	RSIR	P	C	53	78	108	1.03	238	127	1.33	8.7	Lb
GLY55AAb	5.46	1/7	LBP	S	220-240V 50Hz -1	RSCR	P	C	54	78	109	1.09	239	128	1.4	8.7	Lb
GLY60AAa	5.98	1/6	LBP	S	220-240V 50Hz -1	RSIR	P	C	58	85	119	1.03	255	139	1.34	8.7	Lb
GLY60AAb	5.98	1/6	LBP	S	220-240V 50Hz -1	RSCR	P	C	58	86	120	1.10	256	140	1.42	8.7	Lb
GLY70AAa	6.65	1/5	LBP	S	220-240V 50Hz -1	RSIR	P	C	70	96	132	1.05	288	154	1.36	9.7	Lb
GLY70AAb	6.65	1/5	LBP	S	220-240V 50Hz -1	RSCR	P	C	71	97	133	1.12	289	155	1.44	9.7	Lb
GLY75AAa	7.38	1/5	LBP	S	220-240V 50Hz -1	RSIR	P	C	74	107	147	1.06	311	172	1.36	9.9	Lc
GLY75AAb	7.38	1/5	LBP	S	220-240V 50Hz -1	RSCR	P	C	76	108	147	1.12	312	172	1.44	9.9	Lc
GLY80AAa	8.10	1/5	LBP	S	220-240V 50Hz -1	RSIR	P	C	92	123	164	1.07	349	191	1.37	10.0	Lc
GLY80AAb	8.10	1/5	LBP	S	220-240V 50Hz -1	RSCR	P	C	93	124	165	1.13	351	192	1.45	10.0	Lc
GLY90AAa	9.09	1/4	LBP	S	220-240V 50Hz -1	RSIR	P	C	104	140	186	1.07	387	216	1.37	10.5	Ld
GLY90AAb	9.09	1/4	LBP	S	220-240V 50Hz -1	RSCR	P	C	103	140	187	1.13	388	217	1.45	10.5	Ld
GPY12AAa	12.10	3/8	LBP	S	220-240V 50Hz -1	RSIR	P	C	128	178	241	0.96	500	280	1.23	11.5	Pd
GPY12AAb	12.10	3/8	LBP	S	220-240V 50Hz -1	RSCR	P	C	128	178	241	1.04	500	280	1.33	11.5	Pd
GPY12LAa	12.10	3/8	LBP	F	220-240V 50Hz -1	CSIR	R	C-V	113	162	225	1.00	509	265	1.30	12.1	Pd
GPY12LAb	12.10	3/8	LBP	F	220-240V 50Hz -1	CSR	R	C-V	113	162	225	1.06	509	265	1.38	12.1	Pd
GPY16LAa	16.15	3/8	LBP	F	220-240V 50Hz -1	CSIR	R	C-V	168	234	319	1.01	690	374	1.31	12.6	Pd



Private Picture Copyright : WWW.MBSM.PRO

Mbsm_dot_pro_private_PDFMbsm_dot_pro_private_PDF_Cubigel_Katalog_gvy75atTélécharger