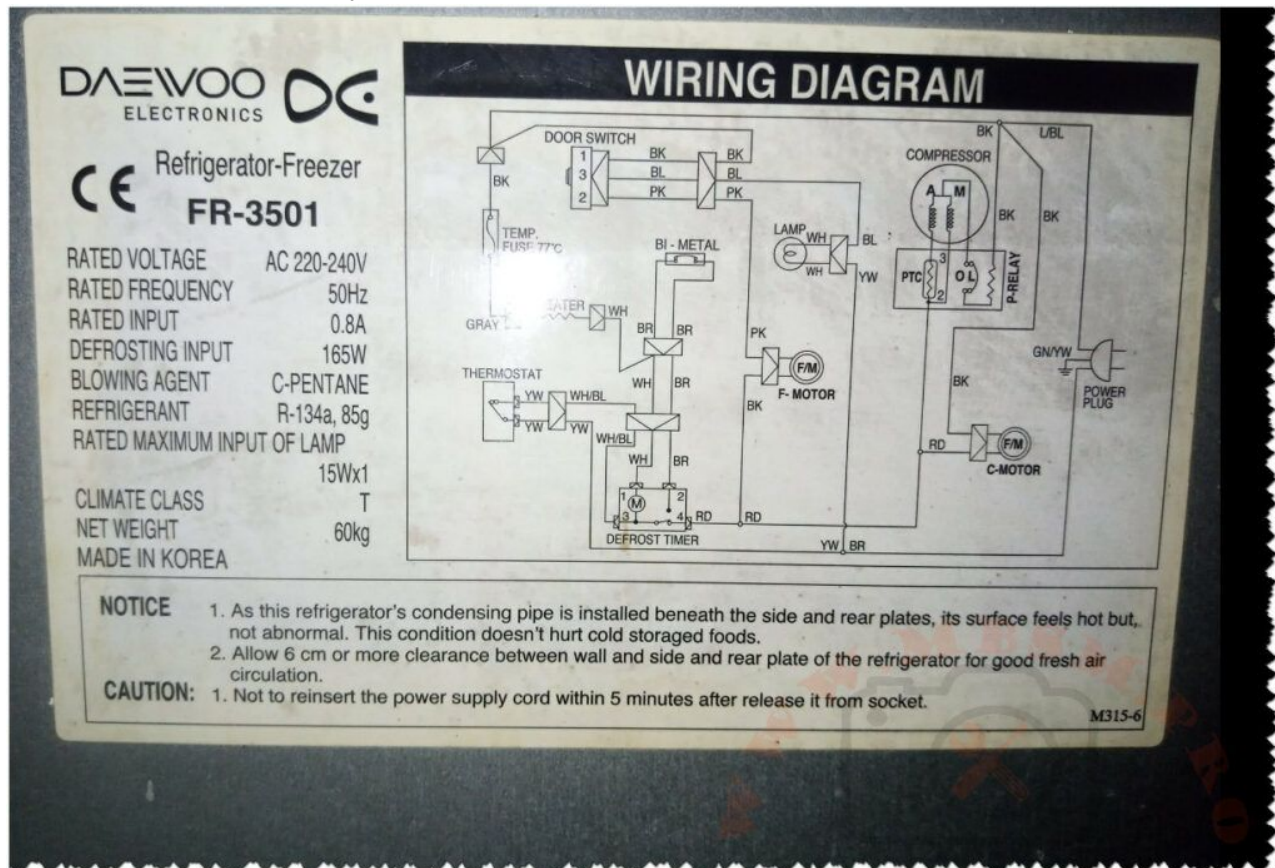


Mbsm.pro, DAEWOO, Refrigerator-Freezer, 350 l, FR-3501, AC 220-240V, 0.8 a, 165 w, compressor, 1/5 hp, R-134a, 85g, HSL25YE-5, 1bp, R-134a, 85g

Category: compressor,Freezer,Refrigerator
written by Lilianne | 29 January 2024



Private Picture Copyright : WWW.MBSM.PRO

Daewoo FR-3501 refrigerator

DAEWOO Compressor , HSL25YE-5, 1/5 hp++, 1/4HP- , 1PH, R134a ,220-240V 50Hz,Puissance frigorifique 176 W ,690 BTU

Specifications:

- **Capacity:** 350 liters (total), with 73 liters (freezer) and 204 liters (refrigerator)
- **Cooling system:** Fan-forced convection
- **Defrost system:** Automatic forced fin evaporator
- **Cold control:** Adjustable dial
- **Dimensions:** Width 667mm, Depth 625mm, Height 1677mm
- **Net weight:** 60 kg

Additional details:

- This model appears to be discontinued, but you might still find it used or

refurbished.

- Some online sellers offer spare parts for the FR-3501, such as the impeller for the compressor/condenser arc engine.
- You can find a service manual for the FR-3501 online, which includes diagrams, specifications, and troubleshooting tips.





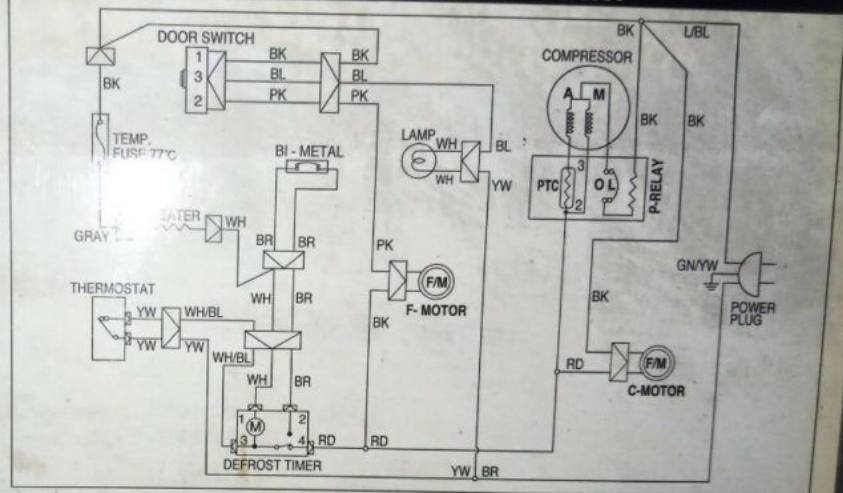
Private Picture Copyright : WWW.MBSM.PRO

DAEWOO
ELECTRONICS

CE Refrigerator-Freezer
FR-3501

RATED VOLTAGE AC 220-240V
 RATED FREQUENCY 50Hz
 RATED INPUT 0.8A
 DEFROSTING INPUT 165W
 BLOWING AGENT C-PENTANE
 REFRIGERANT R-134a, 85g
 RATED MAXIMUM INPUT OF LAMP 15Wx1
 CLIMATE CLASS T
 NET WEIGHT 60kg
 MADE IN KOREA

WIRING DIAGRAM



NOTICE

1. As this refrigerator's condensing pipe is installed beneath the side and rear plates, its surface feels hot but, not abnormal. This condition doesn't hurt cold stored foods.
2. Allow 6 cm or more clearance between wall and side and rear plate of the refrigerator for good fresh air circulation.

CAUTION:

1. Not to reinsert the power supply cord within 5 minutes after release it from socket.

M315-6

Private Picture Copyright : WWW.MBSM.PRO