

Mbsm.pro, Compressor, Reciprocating Compressoor, LG, r134a, 1/4HP, MA69LBJG, 195W, 667BTU

written by Lilianne | 3 May 2022



Mbsm.pro, Compressor, Reciprocating Compressoor, LG, r134a,
1/4HP, MA69LBJG, 195W, 667BTU

**Mbsm.pro, Compressor,
Danfoss, 1/4hp++, mhbp,
GL90an, R134a, 220-230v, 1ph,
50hz, Csir**

written by Lilianne | 3 May 2022



Mbsm.pro, Compressor, Danfoss, 1/4hp++, mhbp, GL90an, R134a,
220-230v, 1ph, 50hz, Csir

**mbsm.pro_compressor_zem_
egm66af_1_6 hp _ 127 w _
mbsm dot pro.pdf**

written by Lilianne | 3 May 2022

mbsm.pro_compressor_zem_egm66af_1_6 hp _ 127 w _ mbsm dot
pro.pdf

Mbsm_dot_pro_private_PDFmbsm.pro_-compressor_-zem_-
egm66af_-1_6-hp-_-127-w-_-mbsm-dot-proTélécharger

ZMC

EGM66AF

2204

220-240V~50Hz



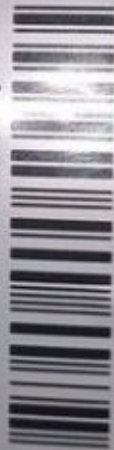
R134 a

506030316613

MADE IN EGYPT

3

SUCTION



066

0018585



Mbsm.pro, Compressor, Zem, EGM66Af, 1/6 Hp , 127 W

written by Lilianne | 3 May 2022

ZMC

EGM66AF

2204

220-240V~50Hz



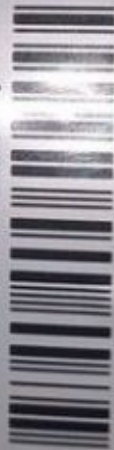
R134 a

506030316613

MADE IN EGYPT

3

SUCTION



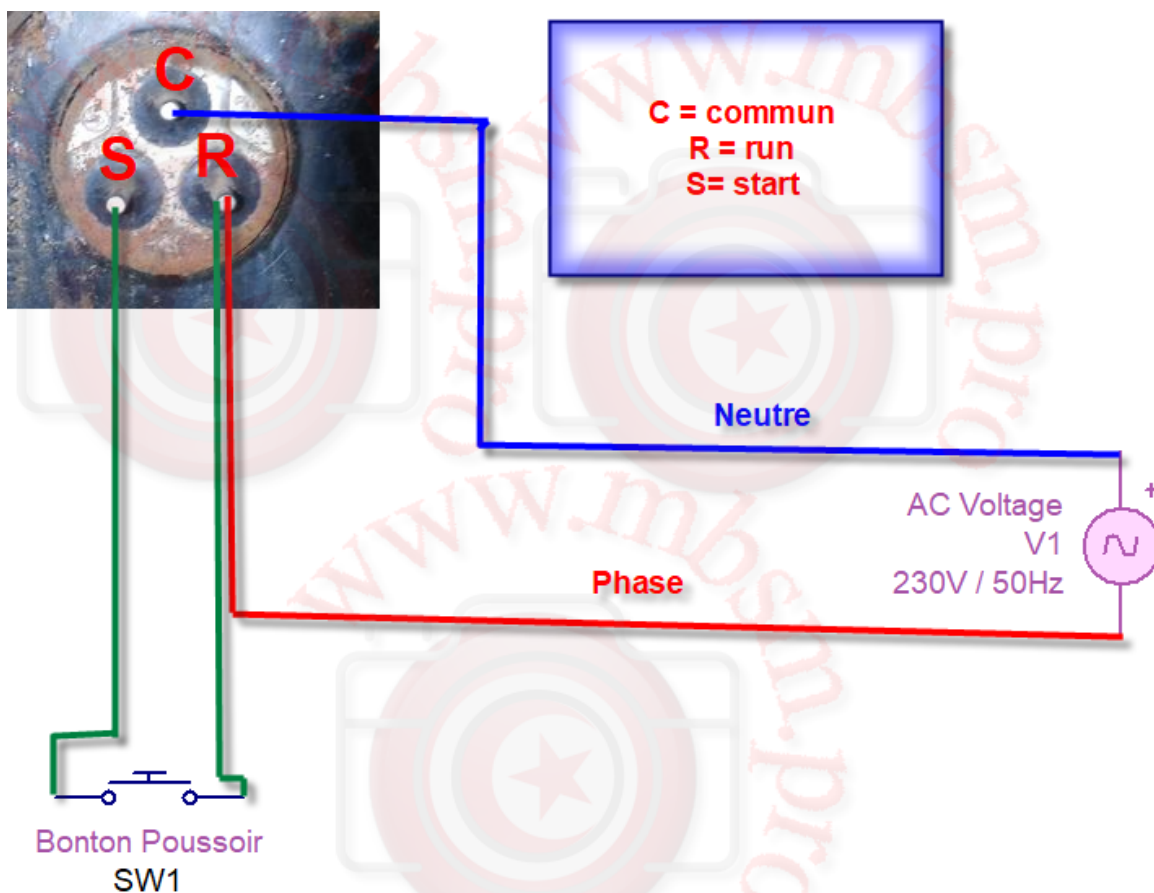
066

0018585



Mbsm.pro, pdf, How can this compressor be connected and operated directly without the Waverwood relay... How to connect simply?

written by Lilianne | 3 May 2022



Mbsm.pro, pdf, How can this compressor be connected and operated directly without the Waverwood relay... How to connect simply?

**Mbsm.pro, Bristol,
Compressor, H24B22QABJC,
21800 btu/h, H24BQ SERIES,
6397 W, 230 v, 1 Phase, Ira
52 A, Compressors, Chillers &
Condensers, high temperature,
R22, basic model, model B,
PSC capacitor, line break
internal, capillarie, 0.64/80
cm, 0.70/100 cm**

written by Lilianne | 3 May 2022



Mbsm.pro, Bristol, Compressor, H24B22QABJC, 21800 btu/h, H24BQ SERIES, 6397 W, 230 v, 1 Phase, Ira 52 A, Compressors, Chillers & Condensers, high temperature, R22, basic model, model B, PSC capacitor, line break internal, capillarie, 0.64/80 cm, 0.70/100 cm

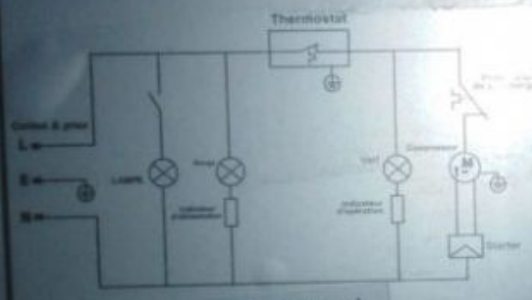
Mbsm.pro, Congélateur GN-bd(w)-370, Gean Electronique, Made in Chine, T classe, 370 L, Compressor, 1/4 Hp, R134A, 105 G, 1.3 A, 220 V, Freezer horizontal, Filtre 20 G, Capilaire 0.036, 2 M, Thermostat mecanique

written by Lilianne | 3 May 2022

Géant
ELECTRONICS

Congélateur GN-BD(W)-370

Schéma électrique



بلد المنشأ: الصين

CLIMAT DE TYPE:	T CLASSE
CLASSIFICATION DE	
ELECTRICITE RESISTANTE:	I
VOLUME DE STOCKAGE:	370L
VOLUME DU CONGELATEUR :	370L
FROZEN CAPACITE:	12kg/24h
TENSION NOMINALE :	220V~
FREQUENCE NOMINALE :	50Hz
COURANT :	1.3A
VALEUR DE BRUIT:	42dB (A)
ALIMENTATION DE LAMPE NOMINALE:	2W
QUANTITE DE REFRIGERANT :	R134a/105g
GAZ D'ISOLATION:	CsHfs

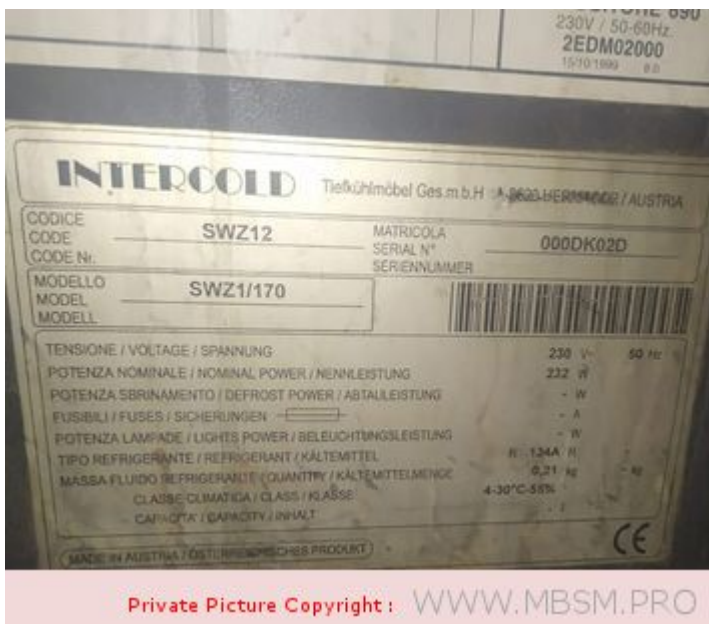
CJ160337003172

Private Picture Copyright: WWW.MBSM.PRO

Mbsm.pro, Congélateur GN-bd(w)-370, Gean Electronique, Made in Chine, T classe, 370 L, Compressor, 1/4 Hp, R134A, 105 G, 1.3 A, 220 V, Freezer horizontal, Filtre 20 G, Capilaire 0.036, 2 M, Thermostat mecanique

**Mbsm.pro, SWZ12, 000DK02D,
2eDM02000, Intercold,
Freezer, swz1/170, 222 w,
230v, Compressor, 1/4 hp,
R134a, 210 G, 290 L,
Intercold horizontal freezers
for frozen**

written by Lilianne | 3 May 2022



Mbsm.pro, SWZ12, 000DK02D, 2eDM02000, Intercold, Freezer, swz1/170, 222 w, 230v, Compressor, 1/4 hp, R134a, 210 G, 290 L, Intercold horizontal freezers for frozen

Mbsm.pro, compressor, TS33vdec, air conditioner, Mitsubishi Hermetic, Refrigeration, Rotary Compressor, Model Ts33vdec, 1 Hp, 10098 btu/h, 945 w, R410A

written by Lilianne | 3 May 2022



Private Picture Copyright: WWW.MBSM.PRO

TS33vdec

Mbsm.pro, Pdf, Is it useful

to fill gas r22 in place of r410

written by Lilianne | 3 May 2022



Mbsm.pro, Pdf, Is it useful to fill gas r22 in place of r410