

**Compressor, Hitachi, R134a,  
(série R012), FL1462-SA,  
HITACHI Brand , (Made in  
Thailand), 1/5 Hp, 160w, FL  
0739 (90 Watts), FL 0847 (105  
Watts), FL 1152 (125 Watts),  
FL 1257 (150 Watts), FL 1462  
165 Watts), FL 1675 (185  
Watts), FL 1888 (210 Watts),  
FL 2088 (250 Watts)**

written by Lilianne | 13 January 2021  
HITACHI Brand (Thailand)

Model

FL 0739 (90 Watts)

FL 0847 (105 Watts)

FL 1152 (125 Watts)

FL 1257 (150 Watts)

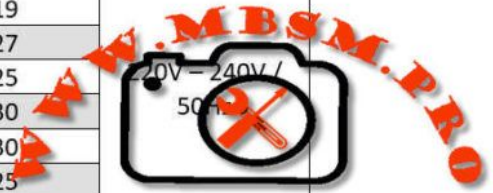
FL 1462 (165 Watts)

FL 1675 (185 Watts)

FL 1888 (210 Watts)

FL 2088 (250 Watts)

Code No.	Model	HP	Capacity (W)	Current (A)	Efficiency COP (w/w)	Voltage / Frequency
<b>R134a Models</b>						
R012001	FL 06S34-TAB	1/12	85	0.70	0.93	
R012002	FL 0739-SQ	1/10	114	0.72	1.20	
R012003	FL 0847-SD	1/8	130	0.83	1.19	
R012005	FL 1152-SB	1/6	143	0.82	1.27	
R012006	FL 1257-SR	1/5	160	0.90	1.25	
R012007	FL 14S62-TAD	1/5	175	0.95	1.30	
R012008	FL 1568-SQ	1/4	200	1.11	1.30	
R012009	FL 20S88-TAC	1/3	255	1.50	1.25	
R012010	FL1888-SE	1/3	245	1.51	1.25	
<b>R600a Models</b>						
	CL 0545-SZ	1/12	62	0.70	1.12	220V – 240V / 50Hz
	CL 1297-SA	1/5	156	0.90	1.46	
	CL 1310-SA	1/5+	163	0.95	1.48	
<b>R600a Models (Inverter)</b>						
	CL 1588-DZ	1/6	134	0.83	1.62	220V – 240V / 50Hz
	CL 1610-DL	1/5	160	0.90	1.65	






**F L 14 62 - S B**

**Series name/Refrigerant**

- F = R134a
- R = R404A
- C = R600a



**Development**

- A - Z = With oil charge
- 1 - 9 = With out oil charge

**Application category:**

- L = Low back pressure
- H = High back pressure

Sign	Output(W)	Sign	Output(W)
04	45	15	150
05	55	16	160
06	65	17	170
07	75	18	180
08	85	20	200
10	100	25	250
11	110	35	350
12	125	40	400
14	140	45	450

Sign	Phase/voltage/frequency	Sign	Phase/voltage/frequency
H	1Ø 100 V 50/60 Hz	S	1Ø 220 ~ 240 V 50 Hz
P	1Ø 110 V 120 V 60 Hz	*D	1Ø 100 V 50/60 Hz
U	1Ø 127 V 60 Hz	T	3Ø 200 V 50/60 Hz
R	1Ø 200 ~ 220 V 60 Hz		

Sign	Displacement(Cm <sup>3</sup> )	Sign	Displacement(Cm <sup>3</sup> )
24	2.4	62	6.2
28	2.8	68	6.8
34	3.4	75	7.5
39	3.9	88	8.8
45	4.5	97	9.7
52	5.2	11	11.0
57	5.7		

Private Picture Copyright: [WWW.MBSM.PRO](http://WWW.MBSM.PRO)

Mbsm\_dot\_pro\_private\_PDF\_FL1462-SA\_Hitachi-catalogueTélécharger  
 Mbsm\_dot\_pro\_private\_PDF\_FL1462-SA\_Mbsm\_dot\_pro\_private\_PDF\_P\_COM008\_105\_specTélécharger

# Mbs . pro , PDF , TECUMSEH , COMPRESSEOR , AE4440AS , AEA4440AES (AE4440AS) , AE234- KS-77

written by Lilianne | 13 January 2021



Mbsm\_dot\_pro\_private\_PDF\_AE4440AS\_tecumseh\_to\_tecumseh\_cross\_r  
efTélécharger

Mbsm\_dot\_pro\_private\_PDF\_AE4440ASTélécharger

---

**COMPRESSEUR, HERMITIQUE, A  
PISTON, série AE, TECUMSEH,  
AE4440AS, AEA4440AES  
(AE4440AS), AE234-KS-77, 1/3**

# HP, ++BIG, HBP – Contre-pression élevée, 220V ~ 60Hz, R-12, présentoir 2 portes

written by Lilianne | 13 January 2021

## Spécifications du produit

### Performance

État	Tension d'essai	(R) Btu / h	(R) kcal / h	(R) W	(I) W	(E) Btu / Wh	(E) kcal / Wh	W / W	TEMP ÉVAP	COND TEMP	TEMPÉRATURE AMBIANTE	RETOUR GAZ	TEMP. LIQUIDE
ASHRAE	220V ~ 60HZ	4100	1033	1202	625	6,56	1,65	1,92	7,2 ° C (45 ° F)	54 ° C (130 ° F)	35 ° C (95 ° F)	35 ° C (95 ° F)	46 ° C (115 ° F)

### Général

Température d'évaporation. Gamme :	-6,7 ° C à 12,8 ° C (20 ° F à 55 ° F)
Couple moteur :	Couple de démarrage élevé (HST)
Refroidissement du compresseur :	Ventilateur

### Mécanique

Poids :	11
Unité de mesure de poids :	KG
Déplacement (cc) :	12.04
Type d'huile :	N / A
Viscosité (cSt) :	N / A
Charge d'huile (cc) :	0



Compresseur hermetique

**AE4440AS**

TYPE : COMPRESSEUR HERMITIQUE A PISTON

PUISSANCE:	1/3 CV
PRESSION:	HP
FREON:	R12
MARQUE:	TECUMSEH

Compresseur hermetique

**AE4448YS**

TYPE : COMPRESSEUR HERMITIQUE A PISTON

PUISSANCE:	1/2 CV
FREON:	R134A
MARQUE:	TECUMSEH

Compresseur hermitique

**AKM22AS**

TYPE : COMPRESSEUR HERMITIQUE A PISTON

PUISSANCE:	3/4 CV
PRESSION:	HP
FREON:	R12
MARQUE:	TECUMSEH



Compresseur hermitique

**AKM26AS**

TYPE : COMPRESSEUR HERMITIQUE A PISTON

PUISSANCE: 1 CV

PRESSION: HP

FREON: R12

MARQUE: TECUMSEH

Compresseur hermitique

**AKM26YS**

TYPE : COMPRESSEUR HERMITIQUE A PISTON

PUISSANCE: 1 CV

FREON: R134A

MARQUE: TECUMSEH

8 produits trouvés

Compresseur hermetique

**AZ1355DS**

TYPE : COMPRESSEUR HERMITIQUE A PISTON

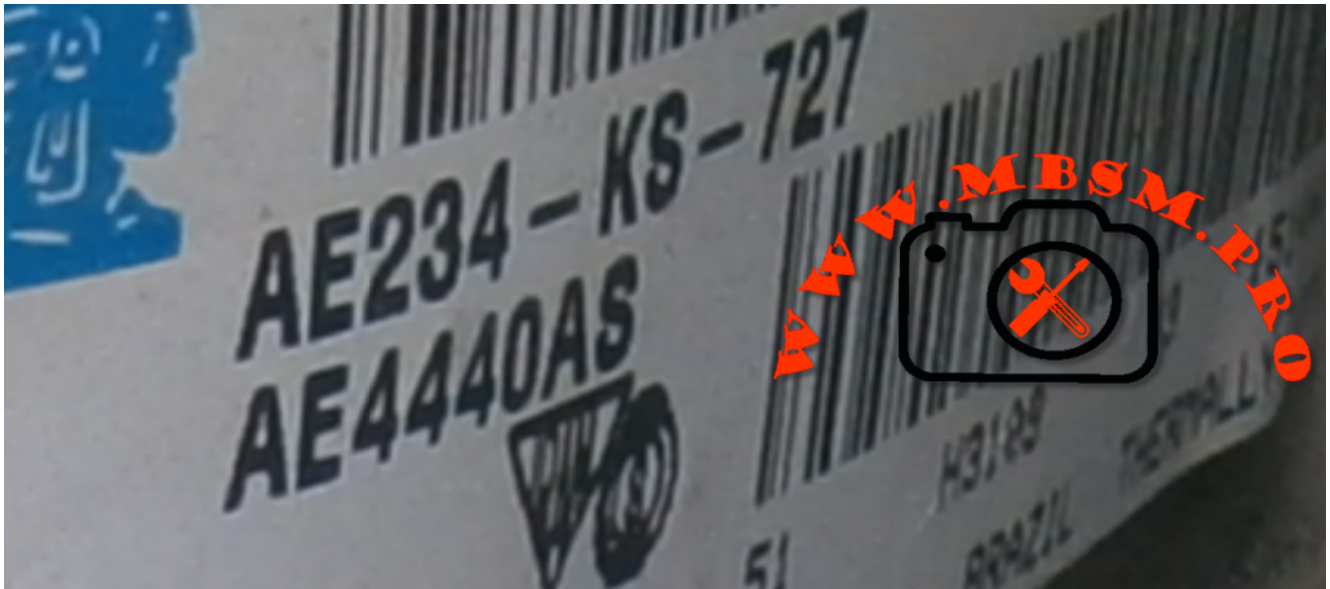
PUISSANCE:	1/6 CV
FREON:	R12
MARQUE:	TECUMSEH

Compresseur hermitique

**UAE4448YSKT**

TYPE : COMPRESSEUR HERMITIQUE A PISTON

PUISSANCE:	1/2 CV
FREON:	R134A
MARQUE:	TECUMSEH



Private Picture Copyright: WWW.MBSM.PRO

## Tecumseh Compressor Model Number Codes

AE	A	4	4	40	Y	XA	XC																																					
Compressor Family	Release Variant (Generation)	Application	Number of Digits in Rated BTU Capacity	First Two Digits of Rated BTU Capacity	Refrigerant	Voltage	Condensing Units																																					
AE	A = 1st	<table border="1"> <thead> <tr> <th colspan="3">Primary Application Parameters</th> </tr> <tr> <th>Evap Temperature</th> <th>Rating Point</th> <th>Motor Starting Torque</th> </tr> </thead> <tr> <td>1. Low</td> <td>-10°F</td> <td>Normal</td> </tr> <tr> <td>2. Low</td> <td>-10°F</td> <td>High</td> </tr> <tr> <td>3. High</td> <td>+45°F</td> <td>Normal</td> </tr> <tr> <td>4. High</td> <td>+45°F</td> <td>High</td> </tr> <tr> <td>5. Air Cond</td> <td>+45°F</td> <td>Normal</td> </tr> <tr> <td>6. Medium</td> <td>+20°F</td> <td>Normal</td> </tr> <tr> <td>7. Medium</td> <td>+20°F</td> <td>High</td> </tr> <tr> <td>8. Air Cond</td> <td>+49°F</td> <td>Normal</td> </tr> <tr> <td>9. Commercial</td> <td>+20°F</td> <td>High</td> </tr> <tr> <td>0. Commercial</td> <td>+20°F</td> <td>Normal</td> </tr> <tr> <td>F. Low - Vapor Inj</td> <td>-10°F</td> <td>High</td> </tr> <tr> <td>G. Low - Vapor Inj</td> <td>-10°F</td> <td>High</td> </tr> </table>	Primary Application Parameters			Evap Temperature	Rating Point	Motor Starting Torque	1. Low	-10°F	Normal	2. Low	-10°F	High	3. High	+45°F	Normal	4. High	+45°F	High	5. Air Cond	+45°F	Normal	6. Medium	+20°F	Normal	7. Medium	+20°F	High	8. Air Cond	+49°F	Normal	9. Commercial	+20°F	High	0. Commercial	+20°F	Normal	F. Low - Vapor Inj	-10°F	High	G. Low - Vapor Inj	-10°F	High
Primary Application Parameters																																												
Evap Temperature	Rating Point		Motor Starting Torque																																									
1. Low	-10°F		Normal																																									
2. Low	-10°F		High																																									
3. High	+45°F		Normal																																									
4. High	+45°F		High																																									
5. Air Cond	+45°F		Normal																																									
6. Medium	+20°F		Normal																																									
7. Medium	+20°F		High																																									
8. Air Cond	+49°F	Normal																																										
9. Commercial	+20°F	High																																										
0. Commercial	+20°F	Normal																																										
F. Low - Vapor Inj	-10°F	High																																										
G. Low - Vapor Inj	-10°F	High																																										

 In this example (4) total digits, with the first two (40), or 4,000 BTU capacity | | Primary Refrigerants | |----------------------| | A = R12              | | B = R410A            | | C = R407C            | | E = R22              | | J = R502             | | Y = R134a            | | Z = R404A/R507       | | | Voltage Codes                   | |---------------------------------| | XA = 115-60-1; 100-50-1         | | XB = 230-60-1; 200-50-1         | | XC = 220-240-50-1               | | XD = 208-230-60-1; 200-50-1     | | XF = 208-230-60-3; 200-240-50-3 | | XG = 460-60-3; 380-420-50-3     | | XH = 575-60-3; 480-520-50-3     | | XN = 208-230-60-1; 200-220-50-1 | | XP = 220-60-1; 200-50-1         | | XT = 200-230-60-3; 200-220-50-3 | | XU = 100-60-1; 100-50-1         | | XV = 265-60-1                   | | AB = 115-60-1; 90-50-1          | | VA = 265-60-1; 220-240-50-1     | | NA = 208-230-60-1               | | AA = 115-60-1                   | || AG | B = 2nd | See up information in **Condensing Unit Reference** | See up information in **Condensing Unit Reference** |
AH	C = 3rd
AJ	etc...
AK	
AN	
AV	
AW	
AZ	
RG	
RK	
SA	
SF	
TP	
HG	
TH	
TW	
VS	

NOTE: For explanation of compressor families and codes, contact Tecumseh Products Company.

Private Picture Copyright: WWW.MBSM.PRO



Private Picture Copyright : [WWW.MBSM.PRO](http://WWW.MBSM.PRO)

OLYMPUS DIGITAL CAMERA



Private Picture Copyright: WWW.MBSM.PRO

OLYMPUS DIGITAL CAMERA

Mbsm\_dot\_pro\_private\_PDF\_AE4440ASTélécharger

Mbsm\_dot\_pro\_private\_PDF\_AE4440AS\_tecumseh\_to\_tecumseh\_cross\_refTélécharger



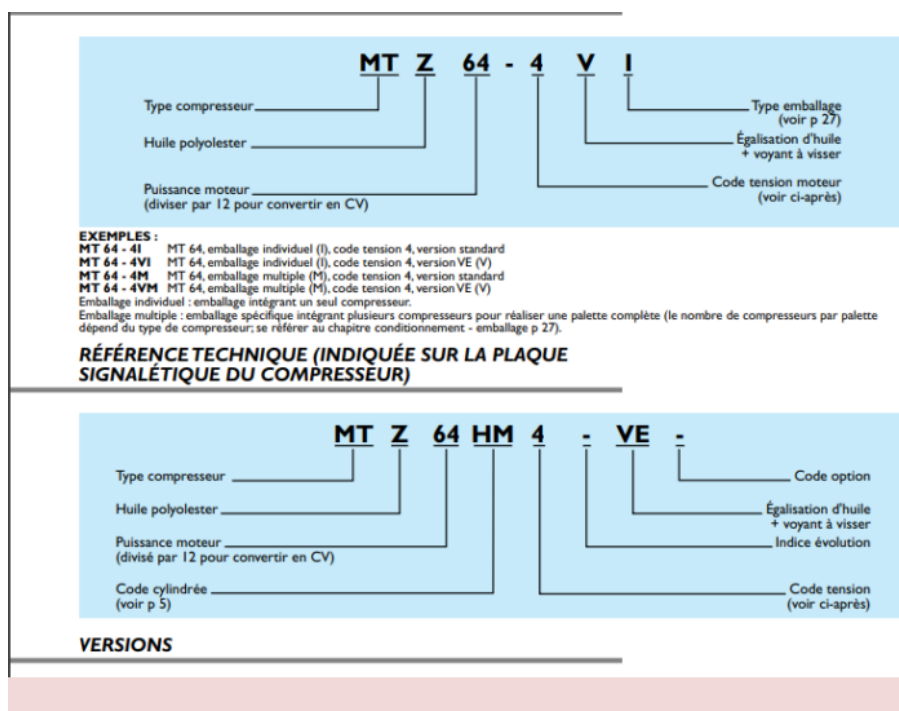
OLYMPUS DIGITAL CAMERA

# Mbsm.pro, PDF, Nomenclature compresseur, compresseurs Maneurop®, des séries MT et MTZ, Danfoss

written by Lilianne | 13 January 2021

Les compresseurs hermétiques  
à pistons Danfoss Maneurop sont  
spécialement conçus pour pouvoir

être utilisés dans une vaste plage de conditions de fonctionnement. Toutes les pièces sont réalisées avec une grande précision et une qualité supérieure pour garantir une durée de vie maximale. La conception du compresseur est telle que le moteur est entièrement refroidi par les gaz aspirés. La fiabilité du compresseur est assurée par une protection interne du moteur, des clapets de haute efficacité et par un moteur ayant un fort couple de démarrage.



Private Picture Copyright : [WWW.MBSM.PRO](http://WWW.MBSM.PRO)

Mbsm\_dot\_pro\_private\_PDF\_Danfoss-ManeuropTélécharger



**Mbsm.pro, PDF, GL80AF , ZEM,  
EGL80AF, Compressors , GD40AF  
1/9 , GL45AF 1/8 , GL60AF,  
GL70AF , GL70ANa 1/5  
, GL70AND, GL80AF 1/5**

written by Lilianne | 13 January 2021





Private Picture Copyright : [WWW.MBSM.PRO](http://WWW.MBSM.PRO)

Mbsm\_dot\_pro\_private\_PDF\_GLy80aaTélécharger

Mbsm\_dot\_pro\_private\_PDF\_GLy80aa-compresseur-acc-cubigellTélécharger

Mbsm\_dot\_pro\_private\_PDF\_GLy80aa-1Télécharger

GD36AD	3.62	1/12	LBP	S	115V 60Hz ~1	RSIR	P	C	30	47	68	0.65	150	80	0.85	6.1	Dj
GD36AFa	3.62	1/12	LBP	S	200-220/230V 50/60Hz ~1	RSIR	P	C	30	47	68	0.65	150	80	0.86	5.9	Dj
GD36AFb	3.62	1/12	LBP	S	200-220/230V 50/60Hz ~1	CSIR	R	C-V	30	47	68	0.65	150	80	0.86	5.9	Ds
GD40AF	4.06	1/10	LBP	S	200-220/220-230V 50/60Hz ~1	RSIR	P	C	36	54	77	0.70	172	91	0.91	6.8	Od
GLY40ADa	4.02	1/9	LBP	S	115V 60Hz ~1	RSIR	P	C	46	65	91	0.97	208	107	1.26	9.0	Lb
GLY40ADb	4.02	1/9	LBP	S	115V 60Hz ~1	RSCR	P	C	46	65	91	1.02	208	107	1.32	9.0	Lb
GL45ADa	4.56	1/8	LBP	S	115V 60Hz ~1	RSIR	P	C	41	65	95	0.80	215	112	1.05	8.1	Lb
GL45ADb	4.56	1/8	LBP	S	115V 60Hz ~1	CSIR	R	C-V	41	65	95	0.80	215	112	1.05	8.1	Lb
GL45AF	4.56	1/8	LBP	S	200-220/220-230V 50/60Hz ~1	RSIR	P	C	42	65	94	0.76	215	111	0.99	9.0	Lb
GL45ANa	4.56	1/8	LBP	S	200-240/220-230V 50/60Hz ~1	RSIR	P	C	44	65	93	0.83	213	110	1.09	9.0	Lb
GLY50ADa	5.12	1/7	LBP	S	115V 60Hz ~1	RSIR	P	C	56	83	117	1.02	259	138	1.33	9.5	Lc
GLY50ADb	5.12	1/7	LBP	S	115V 60Hz ~1	RSCR	P	C	56	83	117	1.06	259	138	1.38	9.5	Lc
GL60ADa	5.46	1/6	LBP	S	115V 60Hz ~1	RSIR	P	C	65	95	132	0.85	290	155	1.10	9.1	Lb
GL60ADb	5.46	1/6	LBP	S	115V 60Hz ~1	CSIR	R	C-V	65	95	132	0.85	290	155	1.10	9.1	Lb
GL60AF	5.46	1/6	LBP	S	200-220/220-230V 50/60Hz ~1	RSIR	P	C	66	95	131	0.81	287	154	1.05	9.1	Lb
GL60ANa	5.46	1/6	LBP	S	200-240/220-230V 50/60Hz ~1	RSIR	P	C	68	95	131	0.88	285	153	1.15	9.9	Lc
GL60ANb	5.46	1/6	LBP	F	200-240/220-230V 50/60Hz ~1	CSIR	R	C-V	68	95	131	0.88	285	153	1.15	9.9	Lc
GL60ANc	5.46	1/6	LBP	S	200-240/220-230V 50/60Hz ~1	CSIR	R	C-V	68	95	131	0.88	285	153	1.15	9.9	Lc
GL60ANd	5.46	1/6	LBP	OC	200-240/220-230V 50/60Hz ~1	RSIR	P	C	68	95	131	0.88	285	153	1.15	10.0	Lc
GL60BK	5.46	1/6	LBP	OC	115V 60Hz ~1	RSCR	P	C	66	95	132	0.84	290	155	1.10	10.0	Lc
GL70ADa	5.98	1/5	LBP	S	115V 60Hz ~1	RSIR	P	C	79	109	148	0.86	322	173	1.12	9.6	Lc
GL70ADb	5.98	1/5	LBP	S	115V 60Hz ~1	CSIR	R	C-V	79	109	148	0.86	322	173	1.12	9.6	Lb
GL70ANa	5.98	1/5	LBP	S	200-220/220-230V 50/60Hz ~1	RSIR	P	C	81	111	150	0.90	323	175	1.17	10.1	Lc
GL70ANb	5.98	1/5	LBP	F	200-220/220-230V 50/60Hz ~1	CSIR	R	C-V	81	111	150	0.90	323	175	1.17	10.1	Lc
GL70ANc	5.98	1/5	LBP	S	200-220/220-230V 50/60Hz ~1	CSIR	R	C-V	81	111	150	0.90	323	175	1.17	10.1	Lc
GL70AND	5.98	1/5	LBP	OC	200-220/220-230V 50/60Hz ~1	RSIR	P	C	80	110	150	0.90	323	175	1.17	10.4	Ld

Private Picture Copyright : [WWW.MBSM.PRO](http://WWW.MBSM.PRO)

# **Mbsm.pro, PDF, QB77C16GPX5 , Compressors, 1/4 hp , Q Series, Panasonic**

written by Lilianne | 13 January 2021

**Panasonic**



**QB77C16GPX5**

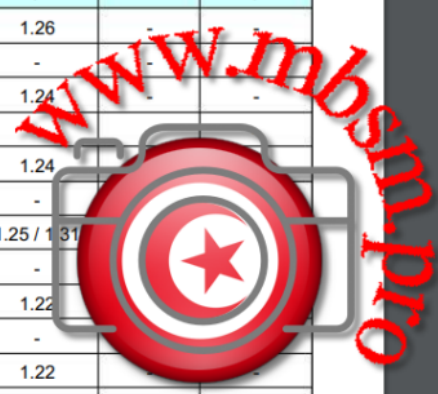
220V~50Hz  
Thermally Protected  
Panasonic Corporation  
Made in Malaysia



Refrigerant : R134a (CF<sub>3</sub>CH<sub>2</sub>F)

Evaporator Temperature Range : -35°C to -5°C

Series	Model	Displacement (cm <sup>3</sup> )	Voltage / Frequency	Motor Type	ASHRAE		CECOMAF	
					Capacity	COP	Capacity	COP
					W	W/W	W	W/W
QB77C16GAX5		7.7	220V 50Hz	RSIR	202	1.26	-	-
				RSCR	-	-	-	-
QB77C16GLX5		7.7	220V 50Hz	RSIR	202	1.24	-	-
				RSCR	-	-	-	-
QB77C16GPX5		7.7	220V 50Hz	RSIR	202	1.24	-	-
				RSCR	-	-	-	-
QB77C18GAX0		7.7	220V 50/60Hz	RSIR	202 / 224	1.25 / 1.31	-	-
				RSCR	-	-	-	-
QB77C18GAX6		7.7	220V 60Hz	RSIR	224	1.22	-	-
				RSCR	-	-	-	-
QB77C19GPX6		7.7	220V 60Hz	RSIR	224	1.22	-	-
				RSCR	-	-	-	-
QB86C13GAW5		8.6	220/240V 50Hz	RSIR	222 / 222	1.27 / 1.25	-	-
				RSCR	-	-	-	-



Private Picture Copyright: WWW.MBSM.PRO

Mbsm\_dot\_pro\_private\_PDF\_Qb77c16glx5Télécharger

شركة الدلتا الصناعية - القاهرة

صنع بمصر

THE DELTA INDUSTRIAL Co.  
MADE IN EGYPT

١٢ قدم

MODEL: KS 328 ZL SOFT : نموذج  
220/50 : فولت / ذ  
1.4 : أمبير  
145 : فريون  
224 : وات  
328 : لتر  
E.S. 320 / 2005 : رقم المواصفة  
40 : كجم  
IPX1 : درجة الحماية

ثلاجة بفريرز إيديا  
الحجم الصافي للتلاجة ٢٠٧ لتر  
الحجم الصافي للفريرز ٦٣ لتر  
رمز الجو S.T.  
سعة التجميد  
سنة الصنع 10  
رقم مسلسل

024348





Private Picture Copyright : [WWW.MBSM.PRO](http://WWW.MBSM.PRO)

**Panasonic**



915573 8718

**QB77C16GPX5**

MP2586429

220V~50Hz  
Thermally Protected  
Panasonic Corporation  
Made in Malaysia

**W**



---

# **Mbsm.pro, PDF, Compressor Ermetic R134a H/MBP, Cubigel, GLy60aa**

written by Lilianne | 13 January 2021



  
COMPRESSORS

**GLY60AA**

THERMALLY  
PROTECTED

220-240V~50Hz

PH1

**R134a**



CE



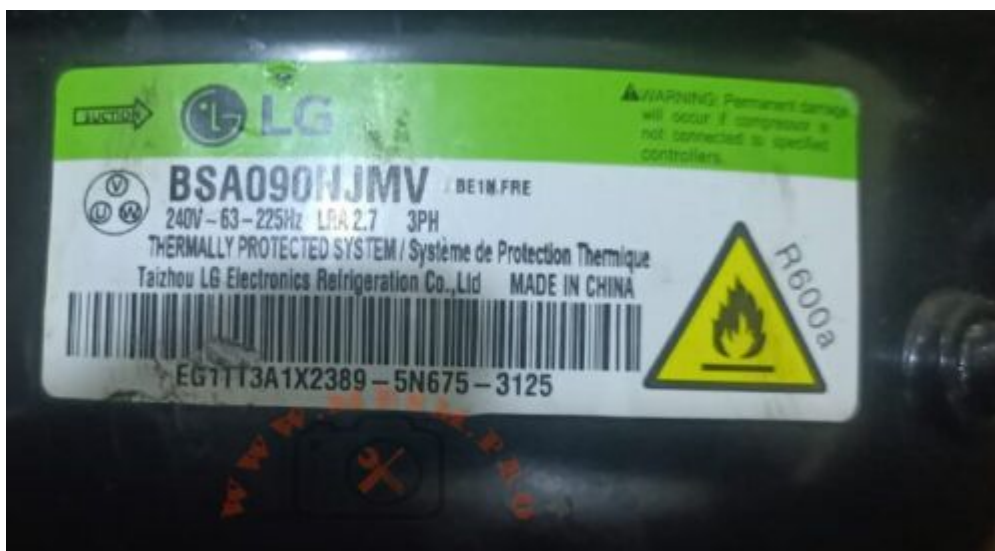
2

07272

7672764580304819

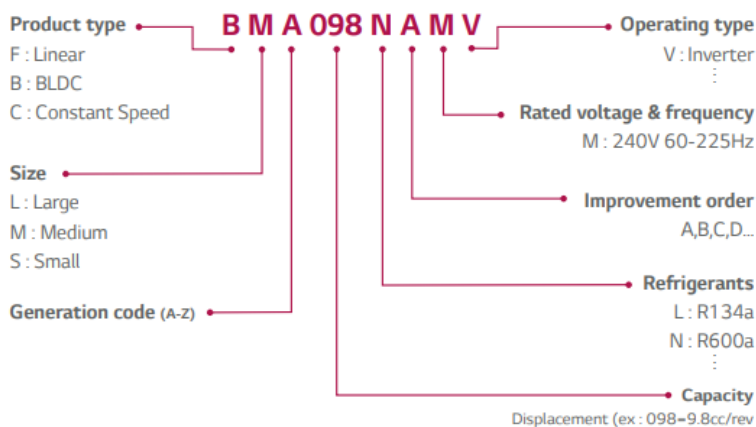
# Mbsm.pro, PDF, compressor inverter Lg , bsa090njmv

written by Lilianne | 13 January 2021



Private Picture Copyright : WWW.MBSM.PRO

## Nomenclature



Private Picture Copyright : WWW.MBSM.PRO

**ENIEM Refrigerateur, no-frost, Made in Algeria, 540L, 220v-240v/50hz, Inverter, Compressor , Technology , Refrigerator LG, bsa090njmv, Inverter, Small Compressor, 9.8 cc , r600a, 60G, Block dc control inverter**

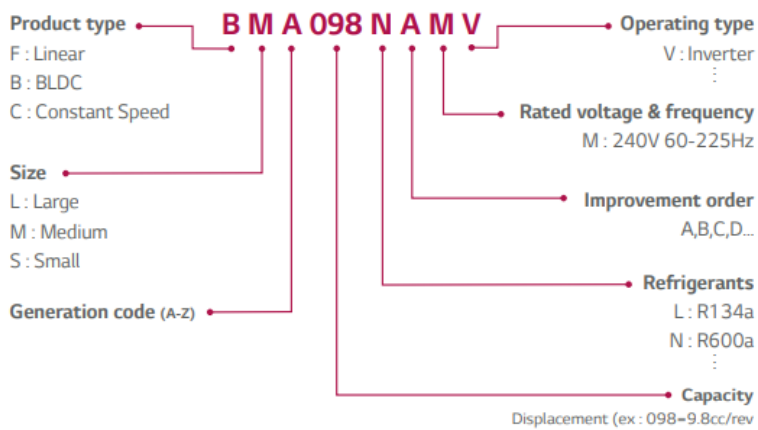
written by Lilianne | 13 January 2021

ENIEM Refrigerateur, Made in Algeria, 540L, 220v-240v/50hz, Inverter, Compressor , Technology , Refrigerator LG, bsa090njmv, Inverter, Small Compressor, 9.8 cc , r600a, Block dc control inverter



Private Picture Copyright : [WWW.MBSM.PRO](http://WWW.MBSM.PRO)

## Nomenclature



### Wide operating range

- New oil pumping system
- 1,200-4,500rpm

Private Picture Copyright : [WWW.MBSM.PRO](http://WWW.MBSM.PRO)



**ENIEM**

م و ص ك م



**MADE IN ALGERIA**

صنع في الجزائر

Réfrigérateur No-Frost

Volume total brut

0

0

F

N°5

ALGERIE

108

TN2000

540 L

220V-240V/50Hz

1.09 Kwh/24h

ثلاجة بدون جنيد

الحجم الإجمالي

الكامية

استهلاك الطاقة

متع التبريد

الرقم التسلسلي

ALGERIE

ش. ذ. أ. م و ص ك م، المنطقة الصناعية عيسى بن عبد الله، الجزائر 108

TM



Private Picture Copyright: WWW.MBSM.PRO

Mbsm\_dot\_pro\_private\_PDF\_bsa090njmv -  
Inverter\_Compressor\_Technology\_for\_RefrigeratorReciprocatingTé  
lécharger

---

# Mbsm.pro, PDF, Compresseur hermétique Embraco EMX55CLC

written by Lilianne | 13 January 2021



Private Picture Copyright : [WWW.MBSM.PRO](http://WWW.MBSM.PRO)

Private Picture Copyright : [WWW.MBSM.PRO](http://WWW.MBSM.PRO)

Mbsm\_dot\_pro\_private\_PDF\_Catalogue\_EmbracoTélécharger  
Mbsm\_dot\_pro\_private\_PDF\_EMX55CLC-datasheetTélécharger