

Mbsm.pro, Compressor, jaxipera Compressor, ZBH1122CY, 1/4++ hp, 1/3 hp

written by Lilianne | 2 September 2022



Mbsm.pro, Compressor, jaxipera Compressor, ZBH1122CY, 1/4++
hp, 1/3 hp

Mbm.pro, Compressor,

UR8b180DTAeH, Samsung , R22,18000 btu, 8 A

written by Lilianne | 2 September 2022



Private Picture Copyright : WWW.MBSM.PRO

Mbm.pro, Compressor, UR8b180DTAeH, Samsung , R22,18000 btu

Mbsm.pro, Daewoo Compressor, YX58LHP5, R134a, 200 w, 1/4 hp, 683 BTU, Lbp, 95 G, Congélateur, CONDOR NOFROST, 375L

written by Lilianne | 2 September 2022

	JX58LHK4	5.84	161	170	198	675	1.06	1.23	4.19	CSIR	ST/FC	8.2	230
	JX58LHP4	5.84	139	170	198	675	1.22	1.42	4.85	RSCR	ST/FC	8.2	230
	JX58LHP4-K	5.85	155	170	198	675	1.10	1.28	4.35	RSCR	ST/FC	8.2	230
	JX58LHS4	5.84	150	170	198	675	1.13	1.32	4.50	RSIR	ST/FC	8.2	230
YH	HPL15YH-4	5.12	122	135	157	536	1.11	1.29	4.39	RSCR	ST/OC/FC	8.9	290
	HPL17YH-4	5.55	131	148	172	587	1.13	1.31	4.48	RSCR	ST/OC/FC	8.9	290
	HPL19YH-4	5.84	137	170	198	675	1.24	1.44	4.92	RSCR	ST/OC/FC	9.5	290
	HDL21YH-4	6.72	156	189	220	750	1.21	1.41	4.81	CSR	ST/OC/FC	9.5	290
	HPL21YH-4	6.73	155	188	219	746	1.21	1.41	4.81	RSCR	ST/OC/FC	9.5	290
	HPL23YH-4	7.03	165	201	234	798	1.22	1.42	4.83	RSCR	ST/OC/FC	9.5	290
	HPL26YH-4	8.25	205	235	273	933	1.15	1.33	4.55	RSCR	ST/OC/FC	9.5	290
YX	YX46LHP4	4.62	104	125	145	496	1.20	1.40	4.77	RSCR	ST/OC/FC	8.8	290
	YX51LHP4	5.12	120	150	174	595	1.25	1.45	4.96	RSCR	ST/OC/FC	8.8	290
	YX51LHP4-K	5.12	128	144	168	572	1.12	1.31	4.46	RSCR	ST/OC/FC	8.8	290
	YX58LHP4	5.84	133	172	200	693	1.29	1.50	5.13	RSCR	ST/OC/FC	9.8	290
YG	HPL21YG-4	6.73	175	185	215	734	1.06	1.23	4.20	RSCR	ST/OC/FC	9.0	290
	HPL27YG-4A	8.69	232	250	291	992	1.08	1.25	4.28	RSCR	ST/OC/FC	9.5	290
	HPL30YG-4	9.92	247	283	329	1123	1.15	1.33	4.55	RSCR	ST/OC/FC	9.5	290

Private Picture Copyright : WWW.MBSM.PRO



Private Picture Copyright : WWW.MBSM.PRO



Private Picture Copyright : WWW.MBSM.PRO



Réfrigérateur - Congélateur

Modèle H 430NC Classe T

Volume brut 375L

Volume utile compt denrées fraîche 242L

Volume utile compt basse température 90L

Voltage / Fréquence 220-240V - 50Hz

Puissance 0.8A

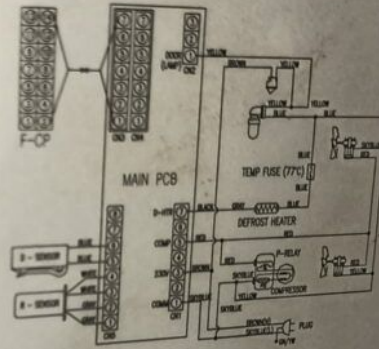
Puissance de dégivrage 180W

Puissance de lampe 25W*1

Réfrigérant R134a 95grs

N° de série

WIRING DIAGRAM



Note: 1. laissez au moins 5cm d'espace libre à l'arrière de l'appareil pour une bonne ventilation.
2. Après avoir débranché l'appareil, attendre 5 minutes avant de le rebrancher.

W341-S



Mbsm_dot_pro_private_PDF_YX58LHP5-R134aTélécharger

**Mbsm.pro, Hermetic
compressor, Aspera, Embraco,
NEK6212Z, R134a, 1/2 hp, HBP**

written by Lilianne | 2 September 2022



embraco
 nitec
 CE
 THERMALLY PROTECTED
 POC OIL 560 CC
 R134a
 MADE IN SLOVAKIA NO START WITHOUT START DEVICE
 NEK6212Z
 220 - 240 V ~ 50 Hz
 1 PH
 269AA51
 SUCTION
 PC1NKOWA

Mbsm.pro, Hermetic compressor, Aspera, Embraco, NEK6212Z,
R134a, 1/2 hp , HBP

**Mbsm.pro, R600a, Aruki
Compressors, Compressor,
QD65Y(N) (1/9HP) , QD75Y(J)
(1/8+HP), QD85Y(J) (1/7+HP),
QD91Y(J) (1/6HP), QD103Y(J)
(1/6+HP)**

written by Lilianne | 2 September 2022

 **QD103Y**
220-240V~50Hz 1PH

     R600a

   **Warning: Risk of fire**

NO. 15592401
Hangzhou Qianjiang Refrigeration Group Co.,Ltd

Mbsm.pro, R600a, Aruki Compressors, Compressor, QD65Y(N) (1/9HP) , QD75Y(J) (1/8+HP), QD85Y(J) (1/7+HP), QD91Y(J) (1/6HP), QD103Y(J) (1/6+HP)

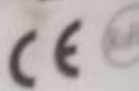
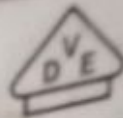
**Mbsm.pro, Compressor, T3, 3.3
hp, 30000 btu, nht52vbat, 14
A, Mitsubishi Compressor,
r22, 4.5 bar**

written by Lilianne | 2 September 2022



SIAM COMPRESSOR INDUSTRY

MITSUBISHI ELECTRIC GROUP



REFRIGERANT COMPRESSOR

MODEL **NHT52VBAT**

MANUFACTURING DATE **18052012**

POWER SOURCE

220-240V 1~ 50Hz

POWER INPUT **2970 W** AT **50** Hz

LRA **86/94** A

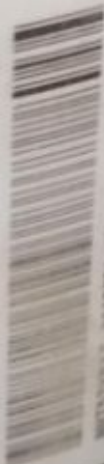
REFRIGERANT **R-22**

OIL **1.30 L**

AP **2.74** MPa

SP **10.5** MPa

MADE IN THAILAND
THERMALLY PROTECTED



NHT52VBAT-18052012

Mbsm.pro, Compressor, T3, 3.3 hp, 30000 btu, nht52vbat, 14 A,
Mitsubishi Compressor

**Mbsm.pro, Embraco, Aspera,
NEK2150CK, 1/2 hp, freezing
(LBP), 121 cm³, R404A /RS07A
/ R452A**

written by Lilianne | 2 September 2022



 **Embraco Accera** **NEK2130GK**
 THERMALLY PROTECTED 220 - 240V ~ 50Hz
 R 404A
 POE. OIL 350CC 1 PH
 CE
 SUCTION
 MADE IN SLOVAKIA NO START WITHOUT STARTING DEVICE
 958BA51 FX N10ESUX1


R 404A

Mbsm.pro, Embraco, Aspera, NEK2150CK, 1/2 hp, freezing (LBP),
121 cm³, R404A /RS07A / R452A

**Mbsm.pro, Compresor, ZMC, 1/5
hp++, 1/4 hp-, High-Medium
Back Pressure, GL80TB,
GL80AA, cooling and freezing**

written by Lilianne | 2 September 2022



Private Picture Copyright : WWW.MBSM.PRO

Mbsm.pro, Compresor, ZMC, 1/5 hp++, 1/4 hp-, High-Medium Back Pressure, GL80TB, GL80AA, cooling and freezing

Mbsm.pro, Compressor, MK190G-L2u, MK190G, Refrigerator, USA, RS22hknrs, 527 L, r134a, 190g, 230w, Samsung, MK190GL2U/E08, 1/3hp, 200-240V-50Hz, RSCR

written by Lilianne | 2 September 2022



Private Picture Copyright : WWW.MBSM.PRO

Mbsm.pro, Compressor, MK190G-L2u, MK190G, Refrigerator, USA, RS22hknrs, 527 L, r134a, 190g, 230w, Samsung, MK190GL2U/E08, 1/3hp, 200-240V-50Hz, RSCR

**Mbsm.pro, Copeland,
Reciprocating, Hermetic,
Compressors, CRNQ-0500-TFD, 5
hp, R22, HCFC, R-22, 50 Hz, 3
– Phase, 380/420 V, CR QR
Series**

written by Lilianne | 2 September 2022



Private Picture Copyright : WWW.MBSM.PRO

Mbsm.pro, Copeland, Reciprocating, Hermetic, Compressors, CRNQ-0500-TFD, 5 hp, R22, HCFC, R-22, 50 Hz, 3 - Phase, 380/420 V , CR QR Series