

Mbsm.pro, Compressor, C-SB261H5A, Sanyo, C-SB Scroll, Compressor C-SB261H5A, 3,5 hp, 31000 btu/h

written by Lilianne | 14 April 2022



Mbsm.pro, Compressor, C-SB261H5A, Sanyo, C-SB Scroll, Compressor C-SB261H5A, 3,5 hp, 31000 btu/h

Mbsm.pro, Compressor, SG184SV-H6CUN, 1,5 hp,

12000btu/h, 1T, Hitachi, Rotary Compressor, Panasonic Rotary Compressor, Hitachi Compressor, Hitachi Rotary, SH286UY-C7HUA, 1.5 Hp, r22

written by Lilianne | 14 April 2022



Private Picture Copyright: WWW.MBSM.PRO

Mbsm.pro, Compressor, SG184SV-H6CUN, 1.5 hp, 12000btu/h, Hitachi, Rotary Compressor, Panasonic Rotary Compressor, Hitachi Compressor, Hitachi Rotary, SH286UY-C7HUA, 1.5 Hp, r22

Mbsm.pro, COMPRESSOR,

**CUBIGEL, GLY12RA, 3/8 HP++,
R134A, HMBP, 220/240V 50HZ**

written by Lilianne | 14 April 2022

cubigel
compressors

GLY12RA

220-240V~50Hz

PH1

R134a

THERMALLY PROTECTED

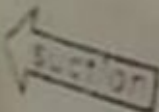


CE EAC

MADE IN SPAIN



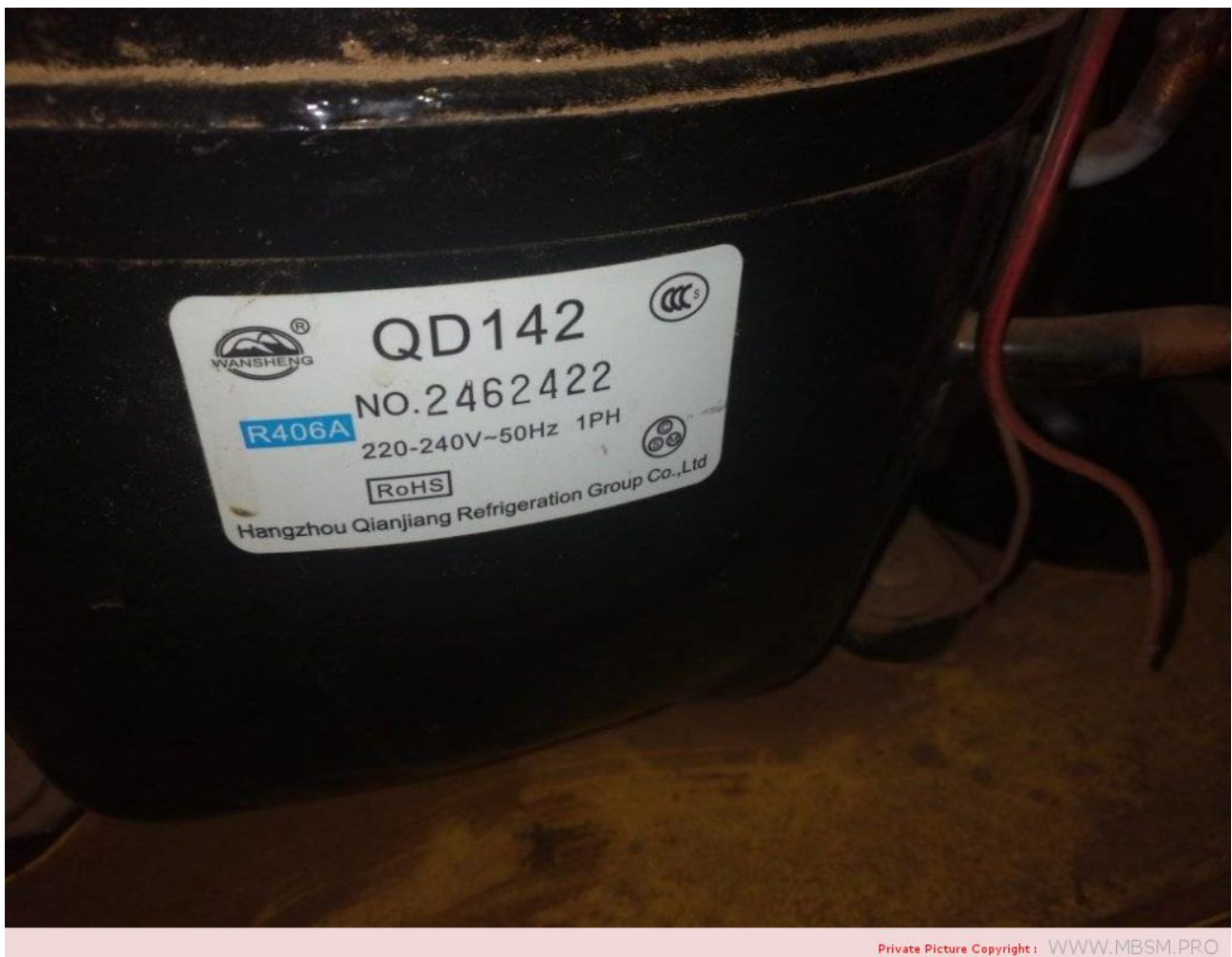
08282



Mbsm.pro, COMPRESSOR, CUBIGEL, GLY12RA, 3/8 HP++, R134A, HMBP,
220/240V 50HZ

Mbsm.pro, Compressor, Westron, QD142H, LBP, 3/8 hp, 333 w, 220-240V/50Hz

written by Lilianne | 14 April 2022



Private Picture Copyright: WWW.MBSM.PRO

Mbsm.pro, Compressor, Westron, QD142H, LBP, 3/8 hp, 333 w,
220-240V/50Hz

**Mbsm.pro, Compressor, NL60FB,
1/5 Hp, Lbp, R290, 220v, 1
phase 50 hz**

written by Lilianne | 14 April 2022



Private Picture Copyright: WWW.MBSM.PRO

Mbsm.pro, Compressor, NL60FB, 1/5 Hp, Lbp, R290, 220v, 1 phase 50 hz

**Mbsm.pro, Compressor,
d91c18raws, 1/4 Hp, 227 W,
Lbp, R134a, 220v, 1 phase 50
hz, Compressor AC Panasonic,
D Series, 744 btu/h, 195
kcal/h**

written by Lilianne | 14 April 2022



D91C18RAW5 (RSIR) : Reciprocating Compressors (Fixed Speed)

Product

Reciprocating Compressors (Fixed Speed)

Series/Type

D Series (Reciprocating Fixed Speed, R134a, LBP)

Parts no

D91C18RAW5(RSIR)

SpecificationMbsm_dot_pro_private_PDF_PDF_panasonic-
compressor-Serie-D

Item	Performance characteristics
Refrigerant	R134a
Displacement (cm ³)	9.1
Voltage (V)	220/240
Frequency (Hz)	50
Motor Type	RSIR
Capacity@ASHRAE	227
COP@ASHRAE	1.29/1.24
Capacity@CECOMAF	–
COP@CECOMAF	–



Performance

Application : Low Back Pressure
 Refrigerant : R134a (CF₃CH₂F)
 Evaporator Temperature Range : -35°C to -5°C

Series	Model	Displacement (cm ³)	Voltage / Frequency	Motor Type	ASHRAE		CECOMAF	
					Capacity	COP	Capacity	COP
					W	W/W	W	W/W
D	D77C15RAW5	7.7	220/240V 50Hz	RSIR	186 / 186	1.27 / 1.24	-	-
				RSCR	186 / 186	1.32 / 1.27	-	-
	D77C17GAX6	7.7	220V 60Hz	RSIR	236	1.25	-	-
				RSCR	-	-	-	-
	D77C17RAT6	7.7	110V 60Hz	CSIR	-	-	-	-
				CSCR	236	1.34	-	-
	D77C18RAX5	7.7	220V 50Hz	RSIR	186	1.24	-	-
				RSCR	186	1.31	-	-
	D91C18RAW5	9.1	220/240V 50Hz	RSIR	227 / 227	1.29 / 1.24	-	-
				RSCR	227 / 227	1.37 / 1.31	-	-
	D91C18TA00	9.1	100V 50/60Hz	CSIR	-	-	-	-
				CSCR	227 / 288	1.29 / 1.39	-	-
D91C19CAS5	9.1	200V 50Hz	CSIR	227	1.28	-	-	
			CSCR	-	-	-	-	
D91C21RAX5	9.1	220V 50Hz	RSIR	227	1.28	-	-	

Private Picture Copyright : WWW.MBSM.PRO

Mbsm_dot_pro_private_picture_D91C23GAX6Télécharger
 Mbsm_dot_pro_private_PDF_PDF_panasonic-compressor-Serie-DTélécharger



Mbsm.pro, Compressor, AE820et-900-a4, AEA2411ZXD, Tecumseh, 1/3 HP, 115V, 1600 BTU, R404A, Hermetic, AE2 Compressor, lbp

written by Lilianne | 14 April 2022



Mbsm.pro, Compressor, AE820et-900-a4, AEA2411ZXD, Tecumseh,

1/3 HP, 115V, 1600 BTU, R404A, Hermetic, AE2 Compressor, lbp

**Mbsm.pro, COMPRESSOR, AZ
1328A, 1/10 HP, AZ1328A, 68
w, 58 kcal/h, 234 btu/h, 1
phase, 220 v, r12, TECUMSEH
EUROPE**

written by Lilianne | 14 April 2022

**L'UNITE
HERMETIQUE**

FICHE TECHNIQUE COMPRESSEUR

N° 1010 - F ind a

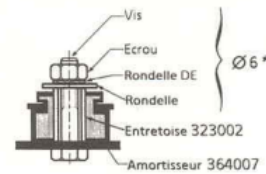
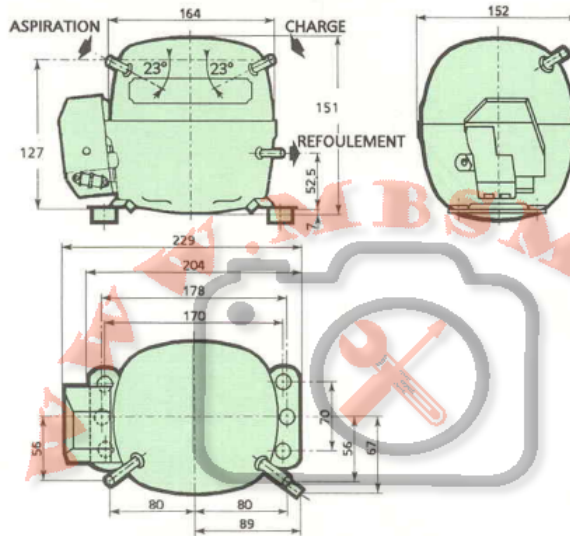
BP
R12

AZ1328A

Tension F: 220-240V / 50Hz monophasé
code : 2023431

production frigorifique	fréquence	watt	Kcal/h	BTU/h	Puissance sonore
STANDARD	50Hz	68	58	234	35 dBA
CECOMAF	50Hz	52			

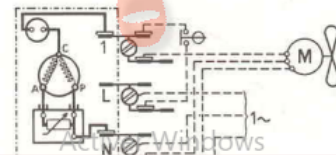
MONTAGE SUSPENSION



Couple de serrage conseillé : 5 à 10Nm
*Pièces non fournies

APPAREILLAGE ELECTRIQUE

PTC



Private Picture Copyright : WWW.MBSM.PRO

Mbsm.pro, COMPRESSOR, AZ 1328A, 1/10 HP, AZ1328A, 68 w, 58 kcal/h, 234 btu/h, 1 phase, 220 v, r12

Mbsm.pro, Compressor, QD series, Compressor, Refrigerator, R134, R12,

R134A, R406, R12/R134A/R406-LBP compressor performance parameter

written by Lilianne | 14 April 2022



Mbsm.pro, Compressor, QD series, Compressor, Refrigerator, R134, R12, R134A, R406, R12/R134A/R406-LBP compressor performance parameter

Mbsm.pro, Compressor, Tecumseh, TPG1390YMR, 805 btu/h, 236w, 1/3hp, LBP, Low Back Pressure, R134a,

**208-230V ~ 60Hz, 220-240V ~
50Hz, Reciprocating
Compressor, TP143-MR-232-B8**

written by Lilianne | 14 April 2022



Private Picture Copyright: WWW.MBSM.PRO

Mbsm.pro, Compressor, Tecumseh, TPG1390YMR, 805 btu/h, 236w, 1/3hp, LBP, Low Back Pressure, R134a, 208-230V ~ 60Hz, 220-240V ~ 50Hz, Reciprocating Compressor, TP143-MR-232-B8