

Mbsm.pro, LG, Single Door, Refrigerator, 1 Pin Relay, and Over Load, Protector Set

written by Lilianne | 22 June 2024



Mbsm.pro, LG, Single Door, Refrigerator, 1 Pin Relay, and Over Load, Protector Set

Mbsm.pro, Refrigerator, All Size Condenser Length Details in table with Feet

written by Lilianne | 22 June 2024

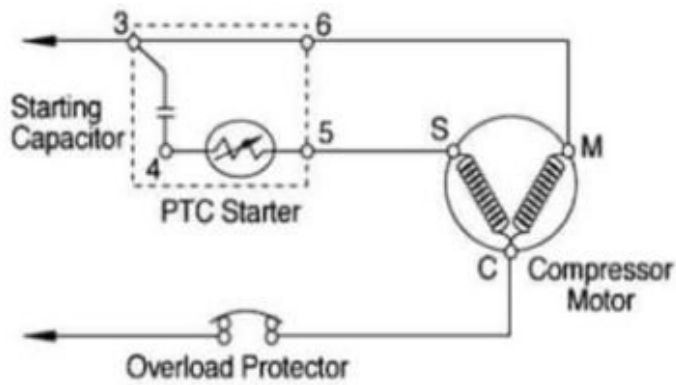
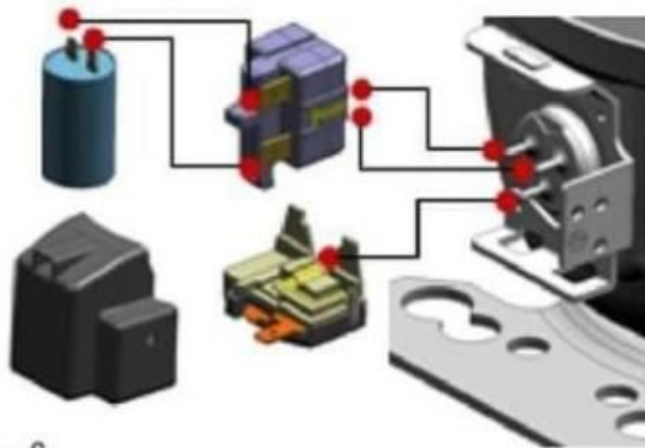


Mbsm.pro, Refrigerator, All Size Condenser Length Details in table with Feet

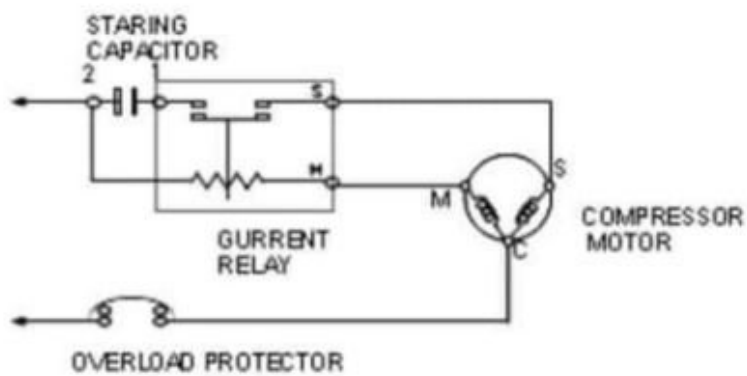
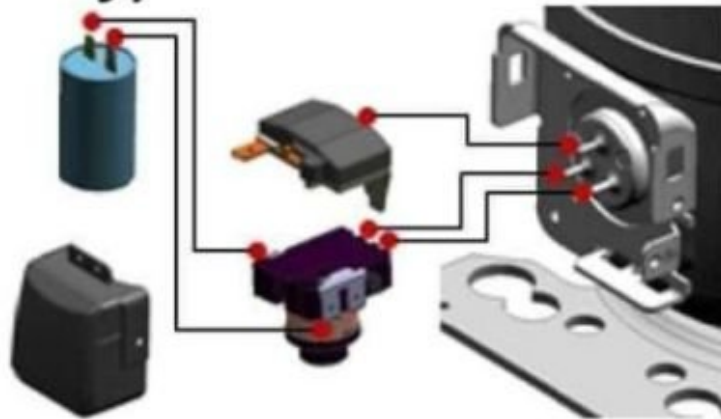
CSIR, CSIR(reLay)

written by Lilianne | 22 June 2024

CSIR



CSIR (Relay)



Mbsm.pro, Picture, Compressor R600a

written by Lilianne | 22 June 2024

| 型号 Model | 气缸容积 Displacement cm³ | 冷却方式 Cooling | 电机类型 Motor Type | 制冷量 Cooling Capacity | | | COP | | | 认证 Certification | 最大高度 "A" Max. Height "A" | |
|-----------------------|-----------------------------|-----------------|--------------------|-------------------------|------------------|---------|---------|------------------|---------|---------------------|-----------------------------------|-------|
| | | | | ASHRAE | AHAM | CECOMAF | ASHRAE | AHAM | CECOMAF | | | |
| | | | | -23.3°C | -23.3/ 40.5°C | -25°C | -23.3°C | -23.3/ 40.5°C | -25°C | | | |
| LBP | | | | | | | | | | | | |
| 115V 60HZ R600a | | | | | | | | | | | | |
| T系列 T Series | | | | | | | | | | | | |
| ETZ50U6 | 5.0 | ST | RSCR | 96 328 | 104.9 | 71.9 | 1.70 | 5.8 | 2.00 | 1.33 | UL | 182 |
| ETZ60U6 | 6.0 | ST | RSCR | 120 409 | 131.1 | 89.9 | 1.70 | 5.8 | 2.00 | 1.33 | UL | 182 |
| ETZ72U6 | 7.2 | ST | RSCR | 142 485 | 154.5 | 107.3 | 1.70 | 5.8 | 2.00 | 1.33 | UL | 182 |
| ETZ80U6 | 8.0 | ST | RSCR | 165 563 | 179.5 | 124.7 | 1.70 | 5.8 | 2.00 | 1.33 | UL | 182 |
| ETB60U6 | 6.0 | ST | RSCR | 120 409 | 130.6 | 90.7 | 1.83 | 6.2 | 2.16 | 1.43 | UL | 185 |
| ETB72U6 | 7.2 | ST | RSCR | 145 495 | 157.8 | 109.6 | 1.83 | 6.2 | 2.16 | 1.43 | UL | 185 |
| ETB80U6 | 8.1 | ST | RSCR | 167 570 | 181.7 | 126.5 | 1.83 | 6.2 | 2.16 | 1.43 | UL | 185 |
| ETB90U6 | 9.0 | ST | RSCR | 190 648 | 206.7 | 143.9 | 1.83 | 6.2 | 2.16 | 1.43 | UL | 185 |
| ETB110U6 | 10.7 | ST | RSCR | 220 751 | 239.4 | 166.7 | 1.81 | 6.1 | 2.14 | 1.42 | UL | 185 |
| S系列 S Series | | | | | | | | | | | | |
| ESD60U6 | 6.0 | ST | RSIR | 120 409 | / | 89.7 | 1.45 | 4.9 | / | 1.13 | UL | 162.5 |
| ESD72U6 | 7.2 | ST | RSIR | 145 495 | / | 109.3 | 1.45 | 4.9 | / | 1.13 | UL | 162.5 |
| ESD80U6 | 8.0 | ST | RSIR | 165 563 | / | 124.6 | 1.45 | 4.9 | / | 1.13 | UL | 162.5 |
| ESY60U6 | 6.0 | ST | RSCR | 120 409 | / | 90.8 | 1.60 | 5.5 | / | 1.25 | UL | 171 |
| ESY80U6 | 8.0 | ST | RSCR | 165 563 | / | 124.5 | 1.60 | 5.5 | / | 1.25 | UL | 171 |
| Y系列 Y Series | | | | | | | | | | | | |
| EVA40U6 | 4.0 | ST | RSIR | 70 239 | 76.1 | 52.8 | 1.40 | 4.8 | 1.66 | 1.09 | UL | 153 |
| EVA55U6 | 5.5 | ST | RSIR | 105 358 | 114.2 | 79.5 | 1.40 | 4.8 | 1.66 | 1.09 | UL | 153 |
| 220 ~ 240V 60HZ R600a | | | | | | | | | | | | |
| T系列 T Series | | | | | | | | | | | | |
| ETH46X6 | 4.5 | ST | RSCR | 85 290 | / | 64.2 | 1.76 | 6.0 | / | 1.38 | VDE/CB | 185 |
| 100V 50HZ R600a | | | | | | | | | | | | |
| T系列 T Series | | | | | | | | | | | | |
| ETD50F | 5.0 | ST | RSCR | 80 273 | / | 60.2 | 1.40 | 4.8 | / | 1.09 | — | 179 |
| ETD72F | 7.2 | ST | RSCR | 125 427 | / | 94.3 | 1.40 | 4.8 | / | 1.10 | — | 179 |
| ETD80F | 8.1 | ST | RSCR | 145 495 | / | 108.5 | 1.40 | 4.8 | / | 1.10 | — | 179 |
| 100V 60HZ R600a | | | | | | | | | | | | |
| T系列 T Series | | | | | | | | | | | | |
| ETD50F | 5.0 | ST | RSCR | 95 324 | / | 71.8 | 1.50 | 5.1 | / | 1.17 | — | 179 |
| ETD72F | 7.2 | ST | RSCR | 145 495 | / | 109.8 | 1.50 | 5.1 | / | 1.18 | — | 179 |
| ETD80F | 8.1 | ST | RSCR | 165 563 | / | 124.0 | 1.50 | 5.1 | / | 1.17 | — | 179 |
| 127V 60HZ R600a | | | | | | | | | | | | |
| T系列 T Series | | | | | | | | | | | | |
| ETH46V6 | 4.5 | ST | RSCR | 85 290 | / | 63.7 | 1.76 | 6.0 | / | 1.38 | VDE/CB | 185 |





R600a COMPRESSOR R600a压缩机

| Model 型号 | Displacement 排量 | Motor 电机 | Capacity 容量 | Power 功率 | COP | Performance 性能 | Operating 运行 | | Compressor 压缩机 | | | | |
|-----------------------|--------------------|-------------|----------------|-------------|-----|-------------------|-----------------|------|-------------------|------|------|--------|-------|
| | | | | | | | W | W | | | | | |
| 115V 60Hz R600a | | | | | | | | | | | | | |
| T Series | | | | | | | | | | | | | |
| RT25000 | 5.0 | ST | 85CR | 96 | 128 | 104.9 | 71.9 | 1.70 | 5.8 | 2.00 | 1.31 | UL | 182 |
| RT26000 | 6.0 | ST | 85CR | 120 | 409 | 131.1 | 89.9 | 1.70 | 5.8 | 2.00 | 1.31 | UL | 182 |
| RT27200 | 7.2 | ST | 85CR | 142 | 485 | 154.5 | 107.3 | 1.70 | 5.8 | 2.00 | 1.31 | UL | 182 |
| RT28000 | 8.0 | ST | 85CR | 165 | 563 | 179.5 | 124.7 | 1.70 | 5.8 | 2.00 | 1.31 | UL | 182 |
| RT90000 | 6.0 | ST | 85CR | 120 | 409 | 130.4 | 90.7 | 1.83 | 6.2 | 2.16 | 1.43 | UL | 185 |
| RT97200 | 7.2 | ST | 85CR | 145 | 495 | 157.8 | 109.6 | 1.83 | 6.2 | 2.16 | 1.43 | UL | 185 |
| RT98000 | 8.1 | ST | 85CR | 167 | 570 | 181.7 | 126.5 | 1.83 | 6.2 | 2.16 | 1.43 | UL | 185 |
| RT99000 | 8.0 | ST | 85CR | 190 | 648 | 206.7 | 143.9 | 1.83 | 6.2 | 2.16 | 1.43 | UL | 185 |
| RT813000 | 10.7 | ST | 85CR | 220 | 791 | 239.4 | 166.7 | 1.81 | 6.1 | 2.14 | 1.42 | UL | 185 |
| S Series | | | | | | | | | | | | | |
| RS26000 | 6.0 | ST | RSR | 120 | 409 | / | 89.7 | 1.45 | 4.9 | / | 1.13 | UL | 162.5 |
| RS27200 | 7.2 | ST | RSR | 145 | 495 | / | 109.3 | 1.45 | 4.9 | / | 1.13 | UL | 162.5 |
| RS28000 | 8.0 | ST | RSR | 165 | 563 | / | 124.6 | 1.45 | 4.9 | / | 1.13 | UL | 162.5 |
| RS98000 | 6.0 | ST | RSR | 120 | 409 | / | 90.8 | 1.60 | 5.5 | / | 1.25 | UL | 171 |
| RS99000 | 8.0 | ST | RSR | 165 | 563 | / | 124.5 | 1.60 | 5.5 | / | 1.25 | UL | 171 |
| Y Series | | | | | | | | | | | | | |
| RY4000 | 4.0 | ST | RSR | 70 | 239 | 76.1 | 52.8 | 1.40 | 4.8 | 1.66 | 1.09 | UL | 153 |
| RY5500 | 5.5 | ST | RSR | 105 | 338 | 114.2 | 79.5 | 1.40 | 4.8 | 1.66 | 1.09 | UL | 153 |
| 220 ~ 240V 60Hz R600a | | | | | | | | | | | | | |
| T Series | | | | | | | | | | | | | |
| RT94000 | 4.5 | ST | RSR | 85 | 290 | / | 64.2 | 1.76 | 6.0 | / | 1.38 | VDE/CB | 185 |
| 100V 50Hz R600a | | | | | | | | | | | | | |
| T Series | | | | | | | | | | | | | |
| RTD500 | 5.0 | ST | RSR | 80 | 273 | / | 60.2 | 1.40 | 4.8 | / | 1.09 | --- | 179 |
| RTD720 | 7.2 | ST | RSR | 125 | 427 | / | 94.3 | 1.40 | 4.8 | / | 1.10 | --- | 179 |
| RTD800 | 8.1 | ST | RSR | 145 | 495 | / | 108.5 | 1.40 | 4.8 | / | 1.10 | --- | 179 |
| 100V 60Hz R600a | | | | | | | | | | | | | |
| T Series | | | | | | | | | | | | | |
| RTD500 | 5.0 | ST | RSR | 95 | 324 | / | 71.8 | 1.50 | 5.1 | / | 1.17 | --- | 179 |
| RTD720 | 7.2 | ST | RSR | 145 | 495 | / | 109.8 | 1.50 | 5.1 | / | 1.18 | --- | 179 |
| RTD800 | 8.1 | ST | RSR | 165 | 563 | / | 124.0 | 1.50 | 5.1 | / | 1.17 | --- | 179 |
| 127V 60Hz R600a | | | | | | | | | | | | | |
| T Series | | | | | | | | | | | | | |
| RT94000 | 4.5 | ST | RSR | 85 | 290 | / | 63.7 | 1.76 | 6.0 | / | 1.38 | VDE/CB | 185 |

Private Picture Copyright : WWW.MBSM.PRO

| Model 型号 | Displacement 排量 | Motor 电机 | Capacity 容量 | Cooling Capacity 制冷量 | | | COP | | | Certification 认证 | Max. Height "A" 最大高度 | | |
|-----------------------|--------------------|-------------|----------------|-------------------------|------------------------------|-----------------|-------------------|-------------------|-----------------|---------------------|----------------------------|--------|-------|
| | | | | ASHRAE -23.3°C | ASHRAE -21.1 / -15.5°C | ASHRAE -23°C | ASHRAE -23.3°C | ASHRAE -15.5°C | ASHRAE -23°C | | | | |
| 115V 60Hz R600a | | | | | | | | | | | | | |
| T Series | | | | | | | | | | | | | |
| RT25000 | 5.0 | ST | 85CR | 96 | 128 | 104.9 | 71.9 | 1.70 | 5.8 | 2.00 | 1.31 | UL | 182 |
| RT26000 | 6.0 | ST | 85CR | 120 | 409 | 131.1 | 89.9 | 1.70 | 5.8 | 2.00 | 1.31 | UL | 182 |
| RT27200 | 7.2 | ST | 85CR | 142 | 485 | 154.5 | 107.3 | 1.70 | 5.8 | 2.00 | 1.31 | UL | 182 |
| RT28000 | 8.0 | ST | 85CR | 165 | 563 | 179.5 | 124.7 | 1.70 | 5.8 | 2.00 | 1.31 | UL | 182 |
| RT90000 | 6.0 | ST | 85CR | 120 | 409 | 130.4 | 90.7 | 1.83 | 6.2 | 2.16 | 1.43 | UL | 185 |
| RT97200 | 7.2 | ST | 85CR | 145 | 495 | 157.8 | 109.6 | 1.83 | 6.2 | 2.16 | 1.43 | UL | 185 |
| RT98000 | 8.1 | ST | 85CR | 167 | 570 | 181.7 | 126.5 | 1.83 | 6.2 | 2.16 | 1.43 | UL | 185 |
| RT99000 | 8.0 | ST | 85CR | 190 | 648 | 206.7 | 143.9 | 1.83 | 6.2 | 2.16 | 1.43 | UL | 185 |
| RT813000 | 10.7 | ST | 85CR | 220 | 791 | 239.4 | 166.7 | 1.81 | 6.1 | 2.14 | 1.42 | UL | 185 |
| S Series | | | | | | | | | | | | | |
| RS26000 | 6.0 | ST | RSR | 120 | 409 | / | 89.7 | 1.45 | 4.9 | / | 1.13 | UL | 162.5 |
| RS27200 | 7.2 | ST | RSR | 145 | 495 | / | 109.3 | 1.45 | 4.9 | / | 1.13 | UL | 162.5 |
| RS28000 | 8.0 | ST | RSR | 165 | 563 | / | 124.6 | 1.45 | 4.9 | / | 1.13 | UL | 162.5 |
| RS98000 | 6.0 | ST | RSR | 120 | 409 | / | 90.8 | 1.60 | 5.5 | / | 1.25 | UL | 171 |
| RS99000 | 8.0 | ST | RSR | 165 | 563 | / | 124.5 | 1.60 | 5.5 | / | 1.25 | UL | 171 |
| Y Series | | | | | | | | | | | | | |
| RY4000 | 4.0 | ST | RSR | 70 | 239 | 76.1 | 52.8 | 1.40 | 4.8 | 1.66 | 1.09 | UL | 153 |
| RY5500 | 5.5 | ST | RSR | 105 | 338 | 114.2 | 79.5 | 1.40 | 4.8 | 1.66 | 1.09 | UL | 153 |
| 220 ~ 240V 60Hz R600a | | | | | | | | | | | | | |
| T Series | | | | | | | | | | | | | |
| RT94000 | 4.5 | ST | RSR | 85 | 290 | / | 64.2 | 1.76 | 6.0 | / | 1.38 | VDE/CB | 185 |
| 100V 50Hz R600a | | | | | | | | | | | | | |
| T Series | | | | | | | | | | | | | |
| RTD500 | 5.0 | ST | RSR | 80 | 273 | / | 60.2 | 1.40 | 4.8 | / | 1.09 | --- | 179 |
| RTD720 | 7.2 | ST | RSR | 125 | 427 | / | 94.3 | 1.40 | 4.8 | / | 1.10 | --- | 179 |
| RTD800 | 8.1 | ST | RSR | 145 | 495 | / | 108.5 | 1.40 | 4.8 | / | 1.10 | --- | 179 |
| 100V 60Hz R600a | | | | | | | | | | | | | |
| T Series | | | | | | | | | | | | | |
| RTD500 | 5.0 | ST | RSR | 95 | 324 | / | 71.8 | 1.50 | 5.1 | / | 1.17 | --- | 179 |
| RTD720 | 7.2 | ST | RSR | 145 | 495 | / | 109.8 | 1.50 | 5.1 | / | 1.18 | --- | 179 |
| RTD800 | 8.1 | ST | RSR | 165 | 563 | / | 124.0 | 1.50 | 5.1 | / | 1.17 | --- | 179 |
| 127V 60Hz R600a | | | | | | | | | | | | | |
| T Series | | | | | | | | | | | | | |
| RT94000 | 4.5 | ST | RSR | 85 | 290 | / | 63.7 | 1.76 | 6.0 | / | 1.38 | VDE/CB | 185 |

Private Picture Copyright : WWW.MBSM.PRO



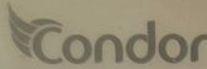
| Verdichter - Cubigel | | R-600a, LBP | |
|--|-----------|--------------|--|
| Hermetische Verdichter für Kapillarbetrieb. Hochleistungs-Verdichter mit Betriebskondensatoren. LBP Temperaturbereich: -30 °C bis -10 °C. Netzspannung 220 - 240 V / 50 Hz. | | | |
| Artikel | Typ | Leistung (W) | Kälteleistung (W) t_e -25 °C, t_c +45 °C |
| 47-02 HCF10AA | HCF 45 AA | 3,12 | 33 |
| 47-02 HCF20AA | HCF 55 AA | 3,75 | 40 |
| 47-02 HCF30AA | HCF 70 AA | 3,75 | 50 |
| 47-02 HCF40AA | HCF 85 AA | 3,77 | 55 |
| 47-02 HCF50AA | HCF 95 AA | 3,77 | 65 |
| 47-02 HCF60AA | HCF 95 AA | 3,75 | 110 |
| 47-02 HCF70AA | HCF 95 AA | 3,75 | 144 |
| 47-02 HCF80AA | HCF 95 AA | 3,75 | 180 |
| 47-02 HCF90AA | HCF 95 AA | 3,75 | 211 |



Private Picture Copyright : WWW.MBSM.PRO

Condor cfh-t36gm05

written by Lilianne | 22 June 2024



CARACTERISTIQUES الخصائص التقنية

CLASSE DE CLIMAT.....T..... تصنيف المناخ

CLASSIFICATION DE PREVENTION.....I..... تصنيف الحماية ضد الأخطار الكهربائية

TENSION (V).....220-240..... التوتر (فولت)

FREQUENCE (Hz).....50..... التردد (هرتز)

COURANT (A).....0.75..... شدة التيار الكهربائي (أمبير)

CONSOIL D'ENERGIE ELE (KWh/24h)...0.963..... استهلاك الطاقة الكهربائية

TYPE DE REFRIGERANT.....R600a..... نوع الغاز المبرد

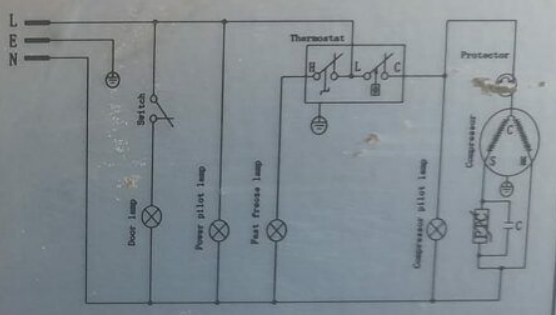
QUANTITE DE REFRIGERANT (g).....75..... كمية الغاز المبرد المشحونة (غ)

POIDS NET DE CONGÉLATEUR (Kg).....49..... الوزن الصافي للمعدة (كغ)

Fabriquée en Algérie صنع في الجزائر

CONGÉLATEUR MODELE : CFH-T39GM05

CIRCUIT ELECTRIQUE المخطط الكهربائي



ATTENTION خطر الإصابة
 لا تدخل الأصابع أو أي شيء آخر داخل المروحة
 خطر الاحتراق - لا تلمس الضاغط

Risque de blessure.
 Ne jamais insérer les doigts ou quoi que ce soit à l'intérieur du ventilateur.
 Risque de brûlure. Ne pas toucher le compresseur.

Private Picture Copyright : WWW.MBSM.PRO

Mbsm.pro, Condor cfh-t36gm05



Private Picture Copyright : WWW.MBSM.PRO

| | | | |
|--|---------|---|--|
| | | CONGÉLATEUR MODELE : CFH-T39GM05 | |
| CARACTERISTIQUES الخصائص التقنية | | CIRCUIT ELECTRIQUE المخطط الكهربائي | |
| CLASSE DE CLIMAT | T | | |
| CLASSIFICATION DE PREVENTION | I | | |
| TENSION (V) | 220-240 | | |
| FREQUENCE (Hz) | 50 | | |
| COURANT (A) | 0.75 | | |
| COURANT D'ENTREE (A) (I _{max}) | 0.963 | | |
| TYPE DE REFRIGERANT | R500a | | |
| QUANTITE DE REFRIGERANT (kg) | 75 | | |
| Poids net de congélateur (kg) | 49 | | |
| Fabrique en Algérie صنع في الجزائر | | | |

Private Picture Copyright : WWW.MBSM.PRO

Mbsm.pro, Capillary measurement tables for some compressors Freon R134

written by Lilianne | 22 June 2024

| المواصفات الخاصة بضواغط DANFU | | | | | | | |
|-------------------------------|-----------------------|----------|--|------------------------------------|--------------------------------|---------------------------|----------------------------------|
| R134a | نوع الفريون | | LBP | ضواغط التجميد | | | |
| 220 - 240 V / 50 Hz | | | | الفولت | | | |
| Model | Displ. Cm3 الازاحة | Power HP | Cooling capacity W سعة التبريد (القدرة) | Input Power W الكهرباء المسحوبة | Performance W/W معدل الاداء | Motor type نوع الموتور | Cooling type نوع تبريد الضاغط |
| PW2.0VKL | 2.65 | 1/11 | 55 | 65 | 0.85 | RSIR | S |
| PW2.5VKL | 2.95 | 1/10 | 65 | 72 | 0.90 | RSIR | S |
| PW3.0VK | 3.16 | 1/9 | 80 | 84 | 0.95 | RSIR | S |
| PW3.5VK | 3.66 | 1/8 | 95 | 95 | 1.00 | RSIR | S |
| PW4.0VKL | 4.29 | 1/6- | 112 | 102 | 1.10 | RSIR | S |
| PW4.5VK | 4.99 | 1/6+ | 130 | 113 | 1.15 | RSIR | S |
| PW5.5VK | 5.68 | 1/5+ | 150 | 122 | 1.23 | RSIR | S |
| PW6.5VK | 6.37 | 1/4- | 170 | 136 | 1.25 | RSIR | S |
| PW7.5VK | 7.07 | 1/4 | 190 | 152 | 1.25 | RSIR | S |
| PW8.5VK | 8.05 | 1/4+ | 220 | 169 | 1.30 | RSIR | S |
| DFV95 | 9.36 | 1/3 | 150 | 192 | 0.78 | RSIR | F |
| DFV105 | 10.51 | 1/3+ | 185 | 219 | 0.84 | RSIR | F |
| DFV115 | 11.49 | 1/3+ | 310 | 239 | 1.30 | CSIR | F |
| DFV125 | 12.477 | 1/2- | 340 | 262 | 1.30 | CSIR | F |

Private Picture Copyright : WWW.MBSM.PRO

Mbsm.pro, Capillary measurement tables for some compressors Freon R134

Mbsm.pro, compressor,

DG51C69RAU6, 1/3 hp

written by Lilianne | 22 June 2024



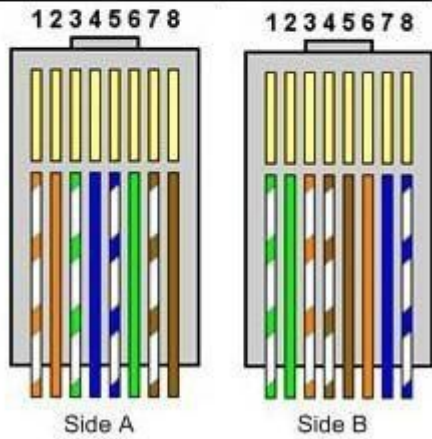
Private Picture Copyright : WWW.MBSM.PRO

Mbsm.pro, compressor, DG51C69RAU6, 1/3 hp

Mbsm.pro, Pictures, Cat5 cabling pin-out configuration

written by Lilianne | 22 June 2024

| Pin ID | side A | side B |
|--------|--------------|--------------|
| 1 | Orange-white | green-white |
| 2 | Orange | green |
| 3 | green-white | orange-white |
| 4 | blue | brown-white |
| 5 | blue-white | Brown |
| 6 | green | orange |
| 7 | brown-white | Blue |
| 8 | brown | blue-white |



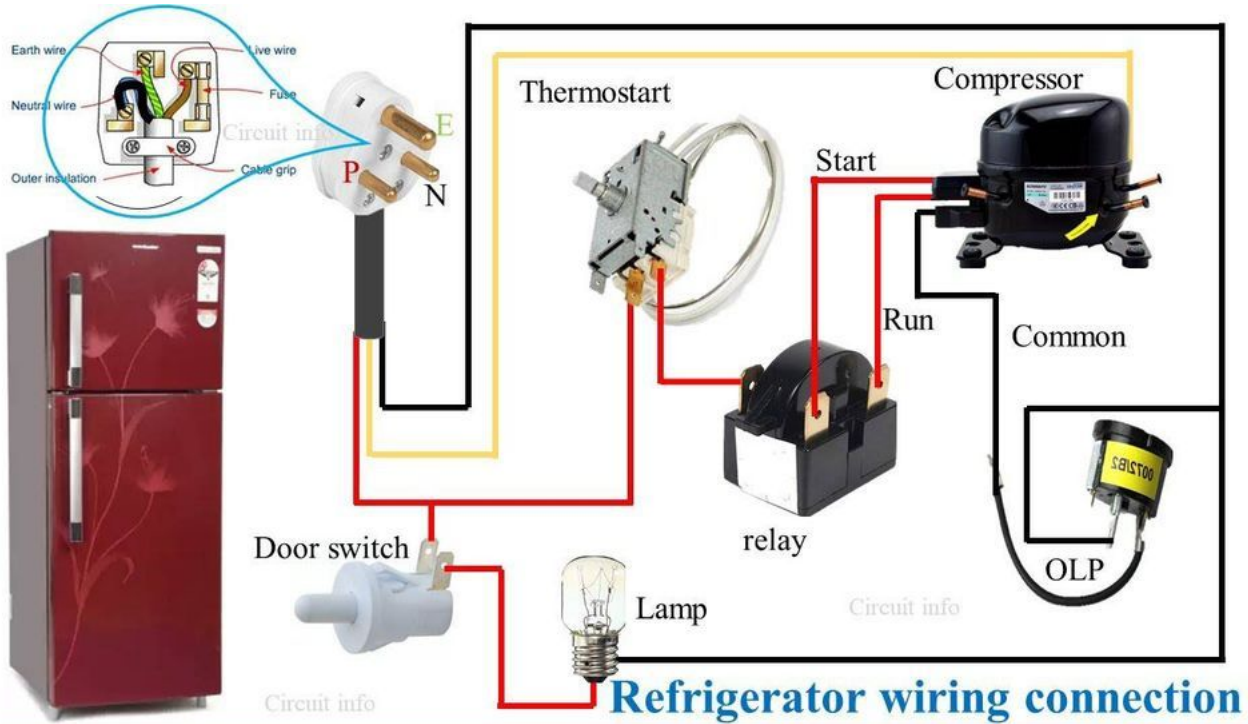
te Picture Copyright : WWW.MBSM.PRO

Mbsm.pro, Pictures, Cat5 cabling pin-out configuration

Mbsm.pro, refrigerator connection

Pictures, wiring

written by Lilianne | 22 June 2024



Private Picture Copyright : WWW.MBSM.PRO

Mbsm.pro, Pictures, refrigerator wiring connection

Mbsm.pro, Pictures, machine à laver, mabe olimpia, 228C2032G001, 228C2032 G001

written by Lilianne | 22 June 2024



Private Picture Copyright : WWW.MBSM.PRO

Mbsm.pro, Pictures, machine à laver, mabe Olimpia,
228C2032G001, 228C2032 G001