

ENIEM Refrigerateur, no-frost, Made in Algeria, 540L, 220v-240v/50hz, Inverter, Compressor , Technology , Refrigerator LG, bsa090njmv, Inverter, Small Compressor, 9.8 cc , r600a, 60G, Block dc control inverter

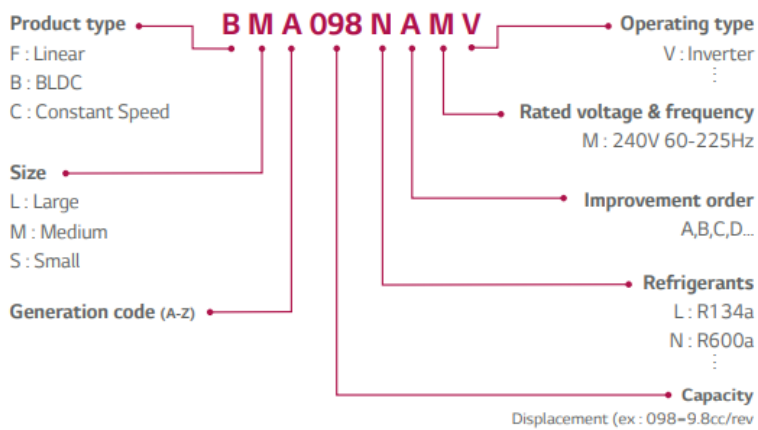
written by Lilianne | 11 January 2021

ENIEM Refrigerateur, Made in Algeria, 540L, 220v-240v/50hz, Inverter, Compressor , Technology , Refrigerator LG, bsa090njmv, Inverter, Small Compressor, 9.8 cc , r600a, Block dc control inverter



Private Picture Copyright : WWW.MBSM.PRO

Nomenclature



Wide operating range

- New oil pumping system
- 1,200-4,500rpm

Private Picture Copyright : WWW.MBSM.PRO



ENIEM
م و ص ك م



MADE IN ALGERIA
صنع في الجزائر

Réfrigérateur No-Frost	TN2000	ثلاجة بدون جنيد
Volume total brut	540 L	الحجم الإجمالي
	220V-240V/50Hz	الكابسة
	1.09 Kwh/24h	استهلاك الطاقة
		متع التبريد
N°5		الرقم التسلسلي
		ALGERIE
		ش. ذ أ م و ص ك م، المنطقة الصناعية عيسى

108

TM

Private Picture Copyright : WWW.MBSM.PRO



Mbsm_dot_pro_private_PDF_bsa090njmv-
Inverter_Compressor_Technology_for_RefrigeratorReciprocatingTé

l charger

Mbsm.pro, PDF, Compresseur herm tique Embraco EMX55CLC

written by Lilianne | 11 January 2021



Mbsm_dot_pro_private_PDF_Catalogue_EmbracoT l charger
Mbsm_dot_pro_private_PDF_EMX55CLC-datasheetT l charger

Compresseur herm tique Embraco EMX55CLC, LBP, R600a, 1 / 6Hp, RSCR, Volume balay  : 9,04 cm³

written by Lilianne | 11 January 2021

Marque:	EMBRACO
UPC:	3070381
R�f�rence constructeur:	EMX55CLC
Application:	LBP
Source de courant:	220 / 240V 50Hz
Capacit� de refroidissement:	154 W
Puissance:	1/6 HP
D�placement:	9,04 cm ³
R�frig�rant:	R600a

Poids:	7,85 kg
Type de moteur:	RSCR
Type:	Compresseur à piston hermétique

Compresseur hermétique Embraco EMX55CLC – LBP – R600a
 220-240/1/50 – RSCR Volume balayé : 9,04 cm³

Caractéristiques techniques

- Marque : EMBRACO ASPERA
- Modèle : EMX55CLC
- CYLINDRÉE (CM³) 9,04
- FLUIDER-600a
- APPLICATION LBP
- PLAGE D'APPLICATION -35/-10
- PUISSANCE (W) 130
- PUISSANCE FRIGORIFIQUE (TK+40°C) -10/306 -20/192 -30/112
-35/82
- TENSION (V) 240/1/50
- DÉMARRAGE RSCR
- I.MAX (A) 0,55
- Ø ASPIRATION 6,1
- Ø REFOULEMENT 4,94



Private Picture Copyright : WWW.MBSM.PRO

Private Picture Copyright : WWW.MBSM.PRO

Mbsm_dot_pro_private_PDF_Catalogue_EmbracoTélécharger
Mbsm_dot_pro_private_PDF_EMX55CLC-datasheetTélécharger

Mbsm.pro, pdf, TLS5FT, Tropical Compressor, R134a, 220-240V 50Hz

written by Lilianne | 11 January 2021



Private Picture Copyright: WWW.MBSM.PRO

Mbsm_dot_pro_private_PDF_TLS5FTTélécharger

mbsm.pro, PDF, All hermetic compressor catalogue

written by Lilianne | 11 January 2021



Private Picture Copyright: WWW.MBSM.PRO

Mbsm_dot_pro_private_PDF_all-Compresseur-hermetique-pdf1-1Télécharger

Mbsm_dot_pro_private_PDF_all-Compresseur-hermetique-pdf1Télécharger

**Compressor, ASPERA, b3118b ,
1/4 hp , 240V~50hZ,
Frigidaire 2 portes, Philips,
180W, Class T, 422L (460L
Total), compressor b3118b,**

220g , R134a

written by Lilianne | 11 January 2021

Compressor, ASPERA, b3118b , 1/4 hp , 240V~50hZ, Frigidaire 2
portes, Philips, 180W, Class T, 422L (460L Total), compressor
b3118b, 220g , R134a



PHILIPS

MADE IN EGYPT

Service
Service
Service

MODEL ARG 425 / PH

230 V
160 W

- 50 Hz

Class T

Gross
Net
Net
System
No

Volume
Volume
Storing Volume
Compressor

460 Ltr
440 Ltr
422,5 Ltr
ccl₂ F₂ 220 g

1095155

4.30 BAJA TEMPERATURA, Monofásicos 220 V 50 Hz

R12
MP39
FX56

Modelo	Tipo	CV.	Cm3	Código	Precio €
BP1084A	S	1/8	4,30	10600	-
BP1111A	S	1/8	5,73	10601	139,00
NB1112A	S	1/6	5,9	10602	167,00
NB1116A	S	1/4	8	10603	161,00
B3116B	RH	1/4	8	10604	166,00
NB1118A	S	1/4	8,85	10605	165,00
B3118B	RH	1/4	8,85	10606	172,00
B2118B	S	1/4	8,85	10607	181,00

Modelo	Tipo	CV.	Cm3	Código	Precio €
NE2121A	F	1/3	12,00	10608	210,00
T2124A	F	1/3	12,58	10609	-
T2128A	F	1/3	14,50	10610	-
NE2130A	F	1/3	14,20	10611	236,00
T2134A	F	3/8	17,40	10612	310,00
T2140A	F	3/8	20,40	10613	321,00
J2152A	F	1/2	26,00	10614	439,00
J2170A	F	3/4	34,37	10615	462,00

Ver aplicación de todos los compresores de esta página en el nuevo reglamento Europeo (CE) nº 2037/2000, publicado el 29/09/2000.

4.40 BAJA TEMPERATURA, Monofásicos 220 V 50 Hz

R22
R417a
R427a

Modelo	Tipo	CV.	Cm3	Código	Precio €
NE2125E	F	1/3	8,90	10618	199,00
NE2134E	F	3/8	12,00	10619	217,00
T2140E	F	1/2	14,50	10620	339,00
T2155E	F	5/8	17,40	10621	362,00

Modelo	Tipo	CV.	Cm3	Código	Precio €
T2168E	F	3/4	20,40	10622	373,00
NJ2178E	F	3/4	23,50	10623	413,00
J2190E	F	3/4	27,10	10624	429,00







Private Picture Copyright : WWW.MBSM.PRO



Mbsm_dot_pro_private_PDF_all-Compresseur-hermetique-pdf1Télécharger

Mbsm_dot_pro_private_PDF_all-Compresseur-hermetique-pdf1-1Télécharger

**GMCC, 9000BTU, 12000BTU,
18000BTU, 24000BTU, R22,
Climatiseur Compresseur,
rotatif T3, pH440G2CS-4KTS1 /
pH440X3CS-4KTS1, 2Hp,
26000BTU, Compresseur
Toshiba, A / C R22 220-240V /
50HZ / 1PH**

written by Lilianne | 11 January 2021

Description du compresseur GMCC Les compresseurs de

climatisation GMCC réduisent les coûts pendant toute la durée de vie du produit dans l'application.

Ils prennent en charge la conception de systèmes pour des performances à haut rendement et pour l'utilisation de réfrigérants alternatifs pour les applications HVAC commerciales, commerciales et industrielles légères telles que les unités de toit, les refroidisseurs, le refroidissement de processus, les unités emballées, etc.

GMCC Liste Modèle

	Dépl.	Capacité		Condensateur	Pouvoir en mettre	Poids kg	Ensembles De paquets/Palette
HSM165V3UDZA	16.4 (cm3/rev)	2845W	9710BTU	30/370µF-V	870W	12.3kg	80 ensembles/Palette
HSM215V3UDZA	21.4 (cm3/rev)	3720W	12690BTU	40/370µF-V	1155W	12.7kg	60 ensembles/Palette
PH290M2C-4FT1	29.1 (cm3/rev)	5100W	17400BTU	35/370µF-V	1645W	16.1kg	60 ensembles/Palette
PH310M2CS-4KUH	31 (cm3/rev)	5510W	18800BTU	40/400µF-V	1710W	17.8kg	60 ensembles/Palette
PH340M2CS-4KU	34 (cm3/rev)	5960W	20335BTU	50/400µF-V	1870W	17.8kg	60 ensembles/Palette
PH370G2CS-4KU1	37 (cm3/rev)	6650W	22690BTU	50/400µF-V	2065W	18.6kg	48 ensembles/Palette
PH400G2CS-4KU1	39.8 (cm3/rev)	7100W	24226BTU	50/400µF-V	2430W	20.2kg	48 ensembles/Palette
PH420G2CS-4KU1	42.3 (cm3/rev)	7460W	25450BTU	50/400µF-V	2525W	20.2kg	48 ensembles/Palette
PH440X3CS-4KU1	43.5 (cm3/rev)	7650W	26100BTU	50/400µF-V	2510W	22.2kg	48 ensembles/Palette
PH480X3CS-4MU1	47.9 (cm3/rev)	8460W	28865BTU	55/400µF-V	2730W	25.2kg	48 ensembles/Palette

Informations de base

Numéro de modèle: PH440X3CS-4MU1

Information additionnelle

Lieu d'origine: Panyu, Guangzhou

Description du produit

Compresseur Toshiba GMCC A / C R22 220-240V / 50HZ / 1PH

Données du

compresseur Compresseur: PH440X3CS-4MU1

Réfrigérant: R22

Type de compresseur : Compresseur à moteur hermétique

Type de pompe:

Huile rotative préchargée: FV50S 900cm³ N.W

.: 22,2KG

Performance nominale

Alimentation: 220- 240V / 50HZ / 1PH

Capacité: 7650W

Entrée: 2510W

Conditions nominales

Température d'évaporation ARI : 7,2 ° C

Température de condensation: 54,4 ° C

Température du gaz de retour: 18,3 ° C

Temp du liquide: 46,1 ° C

Ambiante, air au-dessus: 35 ° C , 1m / s

Liste des accessoires standard

Couvre-

bornes Cache

-bornes Joint Écrou-Cache-borne

Écrou Joint

caoutchouc Grommet

ressort

	MODÈLE	CAPACITÉ		CONTRIBUTION	FLIC	EMBALLAGE	CONDENSATEUR	NO	GW / PKG
		W	BTU / H	W	W / W	PCS / PKG	µF / VCA	KG	KG

Compresseur rotatif GMCC 220-240V / 50HZ / 1Ph	PH180X1C-4DZDE3	3 015	10 287	1 012	2,98	60	35 μ F / 370VAC	14,9	976
	PH225X2C-4FT	3 870	13 204	1 250	3.10	60	35 μ F / 370VAC	15,8	998
	PH290M2C-4FT1	5 100	17 400	1 645	3.10	60	35 μ F / 370VAC	16,1	1016
	PH310M2CS-4KUH	5 470	18 663	1 710	3.20	60	40 μ F / 400VAC	17,8	1118
	PH370G2CS-4MU1	6 605	22 535	2 070	3.19	48	50 μ F / 400VAC	19,0	962
	PH400G2CS-4KU1	7 015	23 934	2 260	3.10	48	50 μ F / 400VAC	20,2	1020
	PH420G2CS-4KU1	7 420	25 316	2 390	3.10	48	50 μ F / 400VAC	20,2	1020
	PH440X3CS-4MU1	7 650	26 100	2 510	3,05	48	50 μ F / 400VAC	22.2	1116
	PH480X3CS-4MU1	8 460	28 864	2 730	3.10	48	55 μ F / 400VAC	25,2	1260



Private Picture Copyright : WWW.MBSM.PRO

PH440X3GS - 4KTS1

220 - 240V ~, 50Hz RoHS



002001472W

TOSHIBA (GMCC)



Danfoss , Reciprocating, compressors, MT / MTZ / NTZ, MT64HM4DVE, R22, 5HP / hp, 3,9KW, 15A

written by Lilianne | 11 January 2021

MT64HM4DVE Compresseur Danfoss Meyo Paramètres détaillés:

Nombre nominal de chevaux: 5HP / hp

Puissance nominale: 3,9KW

Courant de démarrage à rotor bloqué: 67A

Courant de travail: 15A

Cylindrée: 107,71 cm³ / tr

interface fileté d'aspiration: 1 "3/4

rangée Interface de filetage d'air: 1 "3/4

taille du tuyau d'aspiration: 7/8"

taille du tuyau d'échappement: 3/4 "

vitesse: 2900 tr / min

Poids net: 37 kg

Detailed Product Description

MT Series Refrigerant:	R22	Type:	Hermetic Reciprocating Compressor
Phase:	1PH,3PH	Application Temp::	Middle High Temperature
Horse Power:	1.5HP To 13.3HP	Frenquency:	50HZ 60HZ
Voltage:	380-400 -460V	Colour:	Blue

Usage:	For Commercial Refrigeration And Air Conditioning
---------------	--

**R22 Danfoss Maneurop Hermetic compressor MT64HM3DVE France
Maneurop Piston Reciprocating compressor**

Danfoss Maneurop NTZ series compressors are hermetic reciprocating type and designed for low evaporating temperature applications. Refrigerant: R404A/R507A

Model: NTZ048/NTZ068/NTZ096/NTZ108/NTZ136/NTZ215/NTZ...

Danfoss Maneurop MT/MTZ series compressors are hermetic reciprocating type and designed for Medium and High evaporating temperature applications. Refrigerant □ R22, R407C, R134A, R404A

380-400V/3~/50Hz and 460V/3~/60Hz

Models: MT/MTZ018 MT/MTZ022 MT/MTZ028... MT/MTZ320

Danfoss Maneurop MPZ series compressors are hermetic reciprocating type and designed for Medium and High evaporating temperature applications. Refrigerant: R404A/R507A

Models: MPZ2038/MPZ2048/MPZ2054/MPZ2061/MPZ2068

Danfoss Maneurop Commercial Hermetic Scroll Compressor MT64HM4DVE

Specification:

Maneurop MT/MTZ series compressors are of the hermetic reciprocating type and are designed for Medium and high evaporating temperature applications.

There are 26 different models with displacement ranging from 30-543cm³/rev.

Our Maneurop compressors are for 50Hz, motor code is 4, can be used for R22/R407C/R134a/R404A/R507

1. Piston /reciprocating type compressors.
2. Voltage is 50Hz
3. The refrigerant are R22/R407C/R134a/R404A/R507
4. There are MT/MTZ series
5. Original from France.
6. Capacity: 1.5HP~13HP, High efficiency, Low noise

1. MT series for R134a
2. MTZ series for R407c/134a

1. 50 Hz

2. Imported from France.

3. R22 Rated condition: 50Hz/400V

superheat: 11.1K

subcooling 8.3K condensing temp: 54.4°C

4. R407C Rated condition : 50Hz 400V

superheat:11.1K

subcooling 8.3K condensing temp:54.4°C

evaporating temp.7.2°C

refrigeration and power input±5%

We can supply more Danfoss compressor models as below:

MODEL (R22)	MODEL (R404A)	NTZ series
MT18-4VM	MTZ18-4VM	NTZ048A4LR1A
MT22-4VM	MTZ22-4VM	NTZ068A4LR1A
MT28-4VM	MTZ28-4VM	NTZ096A4LR1A
MT32-4VM	MTZ32-4VM	NTZ108A4LR1A
MT36-4VM	MTZ36-4VM	NTZ136A4LR1A
MT40-4VM	MTZ40-4VM	NTZ215A4LR1A
MT44-4VM	MTZ44-4VM	NTZ271A4LR1A
MT50-4VM	MTZ50-4VM	□
MT56-4VM	MTZ56-4VM	□
MT64-4VM	MTZ64-4VM	□
MT72-4VM	MTZ72-4VM	□
MT80-4VM	MTZ80-4VM	□
MT100-4VM	MTZ100-4VM	□
MT125-4VM	MTZ125-4VM	□
MT144-4VM	MTZ144-4VM	□
MT160-4VM	MTZ160-4VM	

Model NO.	Nom HP	Displ. Cc/rev	Capacity R404a(w)	
			-10	-5
MTZ18-4VI	1.5	30.2	1580	2110
MTZ18-5VI	1.5	30.2	1580	2110
MTZ22-4VI	1.8	38.12	2270	2920
MTZ22-5VI	1.8	38.12	2270	2920
MTZ28-4VI	2.3	48.06	2880	3720
MTZ28-5VI	2.3	48.06	2880	3720
MTZ32-4VI	2.7	53.86	3230	4220
MTZ32-5VI	2.7	53.86	3230	4220
MTZ36-4VI	3	60.47	3800	4870
MTZ36-5VI	3	60.47	3800	4870
MTZ40-4VI	3.3	67.89	4280	5490
MTZ45-4VI	3.8	76.22	4420	5840
MTZ51-4VI	4.2	85.64	5290	6920
MTZ57-4VI	4.8	96.13	6060	7880
MTZ65-4VI	5.4	107.71	7080	9130
MTZ73-4VI	6.1	120.94	7960	10230
MTZ81-4VI	6.8	135.78	9160	11720
MTZ100-4VI	8.3	171.26	10390	13500
MTZ125-4VI	10.4	215.44	13650	17500
MTZ144-4VI	12	241.87	15740	20120
MTZ160-4VI	13.3	271.55	17690	22520

Compresseur à piston Danfoss Maneurop MT22JC5PVE (2.0HP / 1PH)

Compresseur à piston Danfoss Maneurop MT22JC4AVE (2.0HP / 3PH)
Compresseur à piston Danfoss Maneurop MT28JC5PVE (2.3HP / 1PH)
Compresseur à piston Danfoss Maneurop MT22JC4AVE (2.0HP / 3PH)
Compresseur à piston Danfoss Maneurop MT28JC5PVE (2.3HP / 1PH)
Compresseur à piston Danfoss Maneurop 3PH (2.3HP / 1PH) 2.6HP / 1PH)
Compresseur à piston Danfoss Maneurop MT32JF4DVE (2.6HP / 3PH);
Compresseur à piston Danfoss Maneurop MT36JG5CVE (3.0HP / 1PH)
Compresseur à piston Danfoss Maneurop MT36JG4FVE (3.0HP / 3PH)
Compresseur à piston Danfoss Maneurop MT40JH4EVE (3.3HP / 3PH)
Danfoss Maneurop Compresseur à piston MT36JG4FVE (3.0HP / 3PH)
Compresseur à piston Danfoss Maneurop MT40JH4EVE (3.3HP / 3PH)
Danfoss Maneurop Compresseur à piston MT36JG4FVE (3.0HP / 3PH)
Compresseur à piston Danfoss Maneurop MT40JH4EVE (3.3HP / 3PH)
Compresseur à piston Danfoss Maneurop 3KFHB4 (3.6PH) 4.0HP / 3PH)
Compresseur à piston Danfoss Maneurop MT56HL4BVE (4. 6HP / 3PH)
Compresseur à piston Danfoss Maneurop MT64HM4DVE (5.3HP / 3PH)
Compresseur à piston Danfoss Maneurop MT72HN4AVE (6.0HP / 3PH)
Compresseur à piston Danfoss Maneurop MT80HP4AVE (6.6HP / 3PH)
Compresseur à piston Danfoss Maneurop MT72HN4AVE (6.0HP / 3PH)
Compresseur à piston Danfoss Maneurop MT80HP4AVE (6.6HP / 3PH)
Compresseur à piston Danfoss Maneurop4.0 Compresseur à piston MT144HV4AVE (12,0HP / 3PH)
Compresseur à piston Danfoss Maneurop MT160HW4EVE (13.3HP / 3PH)
Compresseur à piston Danfoss Maneurop MTZ22JC5VE (2.0HP / 1PH); [R134A, R404]
Compresseur à piston Danfoss Maneurop MTZ22JC4AVE (2.0HP / 3PH); [R134A, R404]
Compresseur à piston Danfoss Maneurop MTZ28JE5AVE (2,3 HP / 1PH); [R134A, R404]
Compresseur à piston Danfoss Maneurop MTZ28JE4AVE (2,3 HP / 3PH); [R134A, R404]
Compresseur à piston Danfoss Maneurop MTZ32JF5AVE (2,6 CV / 1PH); [R134A, R404]
Compresseur à piston Danfoss Maneurop MTZ32JF4BVE (2.6HP / 3PH); [R134A, R404]
Compresseur à piston Danfoss Maneurop MTZ36JG5AVE (3.0HP / 1PH); [R134A, R404]
Compresseur à piston Danfoss Maneurop MTZ36JG4BVE (3.0HP / 3PH); [R134A, R404]
Compresseur à piston Danfoss Maneurop MTZ40JH4AVE (3,3 CV / 3PH); [R134A, R404]
Compresseur à piston Danfoss Maneurop MTZ50HK4CVE (4,0 CV / 3PH); [R134A, R404]
Compresseur à piston Danfoss Maneurop

MTZ56HL4BVE (4,6 CV / 3PH); [R134A, R404] Compresseur à piston Danfoss Maneurop MTZ64HM4CVE (5,3 HP / 3PH); [R134A, R404] Compresseur à piston Danfoss Maneurop MTZ72HN4AVE (6,0 CV / 3PH); [R134A, R404] Compresseur à piston Danfoss Maneurop MTZ80HP4AVE (6,6 CV / 3PH); [R134A, R404] Compresseur à piston Danfoss Maneurop MTZ100HS4VE (8,3 CV / 3 PH); [R134A, R404] Compresseur à piston Danfoss Maneurop MTZ125HU4VE (10.0HP / 3PH); [R134A, R404] Compresseur à piston Danfoss Maneurop MTZ144HV4AVE (12,0 HP / 3PH); [R134A, R404] Compresseur à piston Danfoss Maneurop MTZ160HE4AVE (13,3 HP / 3PH); [R134A, R404] Compresseur à piston Danfoss Maneurop NTZ048A4LR1A (2.0HP / 3PH); [R134A, R404, R507] Compresseur à piston Danfoss Maneurop NTZ068A4LR1A (3,5 CV / 3PH); [R134A, R404, R507] Compresseur à piston Danfoss Maneurop NTZ096A4LR1A (4,5 CV / 3PH); [R134A, R404, R507] Compresseur à piston Danfoss Maneurop NTZ108A4LR1A (5,0 CV / 3PH); [R134A, R404, R507] Compresseur à piston Danfoss Maneurop NTZ136A4LR1A (6,5 CV / 3PH); [R134A, R404, R507] Compresseur à piston Danfoss Maneurop NTZ215A4LR1A (10,0 HP / 3PH); [R134A, R404, R507] Compresseur à piston Danfoss Maneurop NTZ271A4LR1A (13.0HP / 3PH); [R134A, R404, R507] COMPRESSEUR MANEUROP 2.0HP MT22 MANEUROPE 2.0HP MT22 COMPRESSEUR MANEUROP COMPRESSEUR MTZ-22JE-4VE R404A MANEUROPE 2.30HP MT28JE-5PVE MT28-5VI / MT28-5VM COMPRESSEUR MANEUROP 2.30HP MT28JE-5PVE MT28-5VI / MT28-5VM COMPRESSEUR MANEUROPEUR 2.30H5 / R404A) COMPRESSEUR MANEUROP 2.8HP MTZ32-5VM (R134a / R404A / R507) COMPRESSEUR MANEUROP MT32JF5MVE 2-3 / 4HP ((R22) COMPRESSEUR MANEUROP 3.0HP MT36JG4FVE (MT36-4VI / MT36-4VM) (R22) COMPRESSEUR 3.0HP COMPRESSEUR MT36 MANEUROP 3.3HP MT40JH4EVE COMPRESSEUR MANEUROP 3.3HP MTZ40-JH4AVE COMPRESSEUR (R407A / C / F / R134A / R404A / R507) Compresseur MANEUROP MTZ-36-JG4AVE (R407C / R134a / R404A-R407C / R134a / R404A) -Compresseur JH4AVE (R134a / R404A) – Compresseur 3.3HP 3PH MANEUROP MTZ-44-HJ4AVE (R134a / R404A) – 3. 5HP 3PH MANEUROP 4HP MTZ-50HK-4CVE (MTZ50-4VI / MTZ50-4VM) COMPRESSEUR (R134A / R404A) MANEUROP MTZ56HL3BVE R407c, R134a, R507a, R404a compresseur MANEUROP MT-64-4VM COMPRESSEUR MANEUR 64-4VM COMPRESSEUR MANEUR

COMPRESSEUR MT72-4VM COMPRESSEUR MANEUROP MT-80-4VM (6.5HP)
 Compresseur MANEUROP 6.6HP MT81HP4AVE COMPRESSEUR MANEUROP
 MTZ80HM4DVE COMPRESSEUR MANEUROP 8.5HP MT100-4VM COMPRESSEUR
 MANEUROPE 10HP MT100-4VM (MT100HS4DVE) COMPRESSEUR 10HP
 MT100-4VM (MT100HS4DVE) COMPRESSEUR MT12M10 MANHOP 4-
 COMPRESSEUR 10HP R22) COMPRESSEUR MANEUROP 10HP MTZ125HW4AVE
 (R404A / R134A / R507 / R407C) COMPRESSEUR MANEUROPE 12HP
 MT144-4VM COMPRESSEUR MANEUROPE 13.3HP MT160-4VM (MT160HW4DVE)
 COMPRESSEUR MANZVMER 10 COMPRESSEUR MANZVM4 (MT160HW4DVE) / 2
 ') SER. KIT POUR MT-28 MANEUROP 7703009 (1-1 / 8 ' & 3/4 ') SER.

Product details

Gross weight	41.5 kg
Net weight	39 kg
EAN	5702428661973

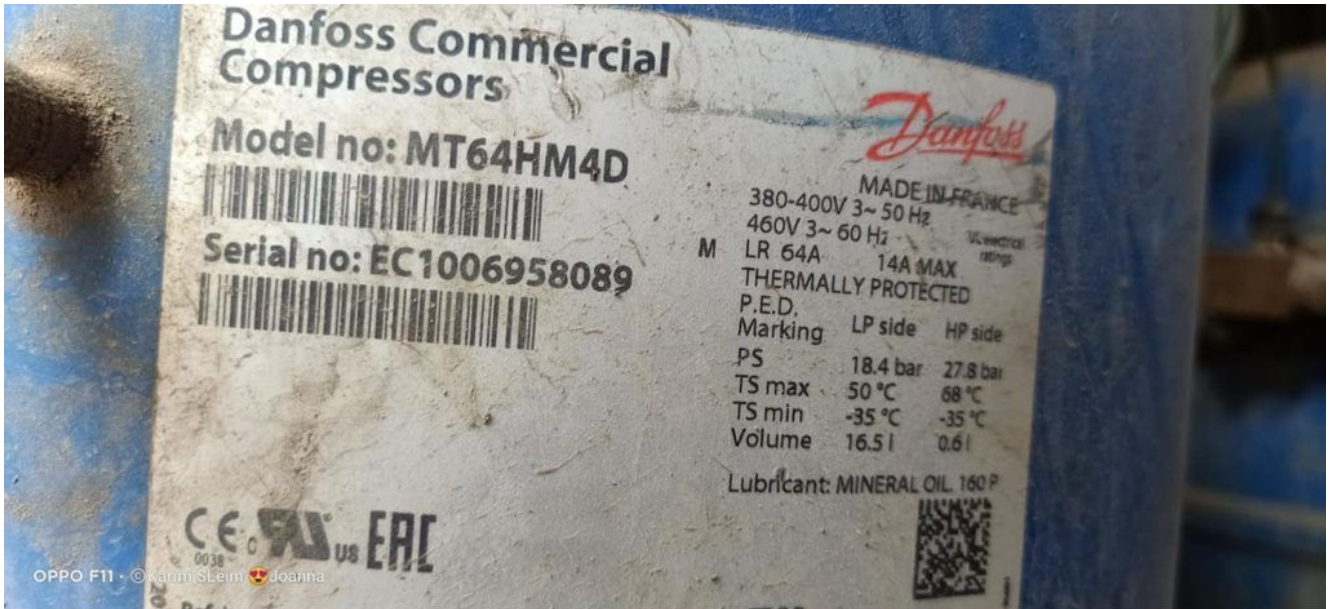
Approval standard	CCC CE UL
Brand technique	Reciprocating compressor
Capacity control	Fixed speed
Colour	Blue
Compressor power supply [V/Ph/Hz]	400/3/50 460/3/60
Configuration code	Single

Connection type	Rotolock
Cylinder	2
Description	MT064-4
Diameter [mm]	288 mm
Discharge connection height [mm]	74 mm
Discharge connection mounting torque [Nm]	90 Nm
Discharge connection pipe size [in]	3/4 in
Discharge connection rotolock size [in]	1 1/4 in
Discharge connection size [in]	1 1/4 in
Discharge connection sleeve pipe size [in]	3/4 in
Drawing number	8502012g
Economizer	No
Factory HP [bar]	25 bar
Factory LP [bar]	25 bar
Fitting remark	(shipped with rotolock version only)
Fitting sleeve	ODF
Fitting standard	Rotolock
Frequency [Hz]	50/60
Gauge port HP	None
Gauge port LP	Schrader
Generation code	E
Glass mounting	Threaded
Glass torque [Nm]	50 Nm
GP LP torque [Nm]	15 Nm
High side max pressure (Ps)	27.8 bar
High Side TS Max	150 °C

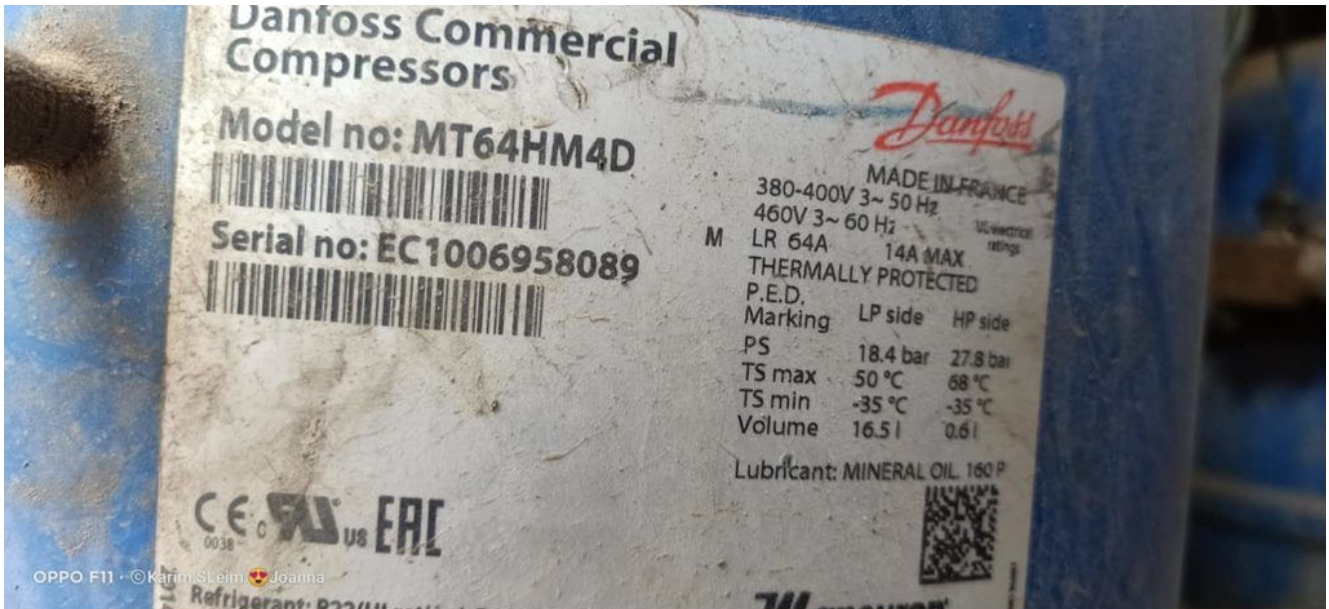
High Side TS Min	-35 °C
High Side Volume	0.6 L
High value of nominal voltage at 50Hz [V]	400 V
High value of nominal voltage at 60Hz [V]	460 V
High value of voltage range at 50Hz [V]	460 V
High value of voltage range at 60Hz [V]	506 V
IP protection class	IP55 (with cable gland)
Low side max pressure (Ps)	18.4 bar
Low Side TS Max	50 °C
Low Side TS Min	-35 °C
Low Side Volume	16.5 L
Low value of nominal voltage at 50Hz [V]	380 V
Low value of nominal voltage at 60Hz [V]	460 V
Low value of voltage range at 50Hz [V]	340 V
Low value of voltage range at 60Hz [V]	414 V
LRA	64 A
MCC	14 A
Model number	MT64HM4DVE
Motor protection	Internal overload protector
Mounting torque [Nm]	15 Nm
Nominal cooling capacity 60 kBTU/h	64.51 kBtu/h
Nominal cooling capacity at 50Hz	14.4 kW
Nominal cooling capacity at 60Hz	18.9 kW

Number of starts per hour [Max]	12
Oil charge [L]	1.8 L
Oil equalization	3/8" flare SAE
Oil equalization torque [Nm]	30 Nm
Oil reference	160P
Packaging height [mm]	550 mm
Packaging length [mm]	1150 mm
Packaging weight [Kg]	254 kg
Packaging width [mm]	800 mm
Packing format	Industrial pack
Packing quantity	6
Phase	3
Power connections	Spade
Refrigerant	R22
Refrigerant charge [kg] [Max]	5 kg
Relief valve	30 bar/8 bar
Rotational speed at 50Hz [rpm]	2900 rpm
Rotational speed at 60Hz [rpm]	3500 rpm
Segment usage	Air conditioning Refrigeration MT
Shipped fittings	Suction and discharge solder sleeves, rotolock nuts and gaskets
Shipped instructions	Installation instructions
Shipped mounting	Mounting kit with grommets, bolts, nuts, sleeves and washers
Shipped oil	Initial oil charge
Suction connection height [mm]	265 mm

Suction connection mounting torque [Nm]	110 Nm
Suction connection pipe size [in]	7/8 in
Suction connection rotolock size [in]	1 3/4 in
Suction connection size [in]	1 3/4 in
Suction connection sleeve pipe size [in]	7/8 in
Swept volume [cm³]	107.71 cm ³
Technology	Reciprocating
Test dif [bar] [Max]	30 bar
Test HP [bar] [Max]	30 bar
Test LP [bar] [Max]	25 bar
Torque earth [Nm]	3 Nm
Torque power [Nm]	3 Nm
Total height [mm]	413 mm
Type	MT
Type designation	Compressor
Viscosity [cP]	32 cP
Winding resistance for three-phase compressors with identical windings [Ohm]	2.44 Ohm



Private Picture Copyright: WWW.MBSM.PRO



Private Picture Copyright: WWW.MBSM.PRO



Private Picture Copyright : WWW.MBSM.PRO



Mbsm_dot_pro_private_PDF_MT64HM4DVE Télécharger
Mbsm_dot_pro_private_PDF_MT64HM4DVE-5Télécharger

**TECUMSEH EUROPE, COMPRESSEUR,
REFROIDISSEUR, AE1360AS, 1/5
HP, AE140-FS-510, Lra 9.5,**

LBP, R12, 220-240V ~ 50Hz

written by Lilianne | 11 January 2021

Model:AE1360AS

Product Description

Type: Reciprocating

Application: LBP – Low Back Pressure

Refrigerant: R12

Voltage/Frequency: 220-240V ~ 50Hz

Product Specifications

Performance

Refrigeration Capacity Input Power Efficiency

EVAP

TEMP COND AMBIENT RETURN LIQUID

Condition TEMP TEMP GAS TEMP

Test

Voltage Btu/h kcal/h W W Btu/Wh kcal/Wh W/W

ASHRAE

240V ~

50HZ 560 141 164 157 3.57 .9 1.05

-23°C (-

10°F) 54°C (130°F) 32°C (90°F) 32°C (90°F) 32°C (90°F)

General

Evaporating Temp. Range: -34.4°C to -12.2°C (-30°F to 10°F)

Motor Torque:

Low Start Torque

(LST)

Compressor Cooling: Static

Mechanical

Weight: 10.231

Weight Unit of Measure: KG

Displacement (cc): 7.55

Oil Type: N/A

Viscosity (cSt): N/A

Oil Charge (cc): N/A

Electrical

Voltage Range (50 Hz): 198-253

Voltage Range (60 Hz): N/A

Locked Rotor Amps (LRA): 11

Rated Load Amps (RLA 50 Hz): 1.12

Rated Load Amps (RLA 60 Hz): N/A

Max. Continuous Current (MCC in Amps): N/A

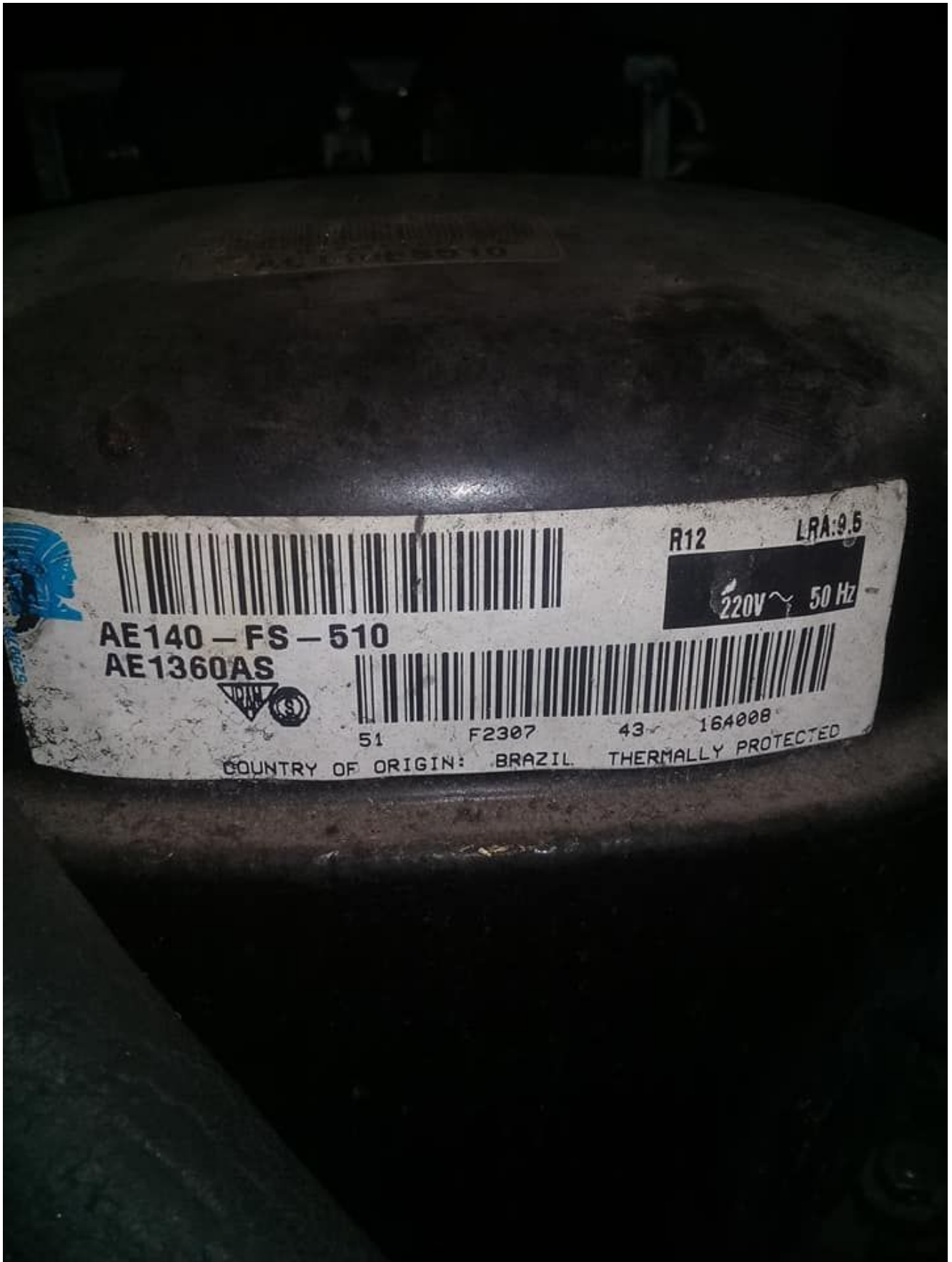
Motor Resistance (Ohm) – Main: 11.06

Motor Resistance (Ohm) – Start: 44.87

Motor Type: RSIR

Overload Type: N/A

Relay Type: Current Relay



Private Picture Copyright : WWW.MBSM.PRO

Mbsm_dot_pro_private_PDF_AE1360ASTélécharger
Mbsm_dot_pro_private_PDF_AE1360AS-1Télécharger
Mbsm_dot_pro_private_PDF_AE1360AS-2Télécharger

**QBH57C10GPX, 1/6HP ,RSIR,
Compressors, R134a (160g),
LBP ,PANASONIC Congélateur
Electrostar Defrost, 5
 tiroirs , blanc ,
Electrostar, ES215DF, 188L
(total 215L), 144W, 1.1A,
220-240v-50hz**

written by Lilianne | 11 January 2021

QBH57C10GPX, 1/6HP ,RSIR, Compressors, R134a (160g), LBP
,PANASONIC Congélateur Electrostar Defrost, 5 tiroirs , blanc
, Electrostar, ES215DF, 188L (total 215L), 144W, 1.1A,
220-240v-50hz,





