

**Mbsm.pro, Bristol,
Compressor, H24B22QABJC,
21800 btu/h, H24BQ SERIES,
6397 W, 230 v, 1 Phase, Ira
52 A, Compressors, Chillers &
Condensers, high temperature,
R22, basic model, model B,
PSC capacitor, line break
internal, capillarie, 0.64/80
cm, 0.70/100 cm**

written by Lilianne | 30 April 2022



9F

PART NO. 701517-02-0024 MADE IN USA

SERIAL NO. 14895022415

MODEL NO. H24B220ABJD

CUST R/N

1/2C XXX

BRISTOL

REMOVALLY PROTECTED

V 230/208
HZ 50 PH 1

LRA 52

V
HZ
LRA

Mbsm.pro, Bristol, Compressor, H24B22QABJC, 21800 btu/h, H24BQ SERIES, 6397 W, 230 v, 1 Phase, Ira 52 A, Compressors, Chillers & Condensers, high temperature, R22, basic model, model B, PSC capacitor, line break internal, capillarie, 0.64/80 cm, 0.70/100 cm

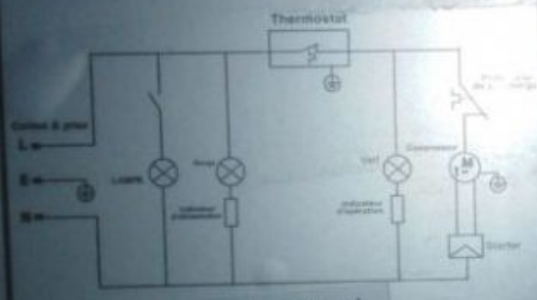
Mbsm.pro, Congélateur GN-bd(w)-370, Gean Electronique, Made in Chine, T classe, 370 L, Compressor, 1/4 Hp, R134A, 105 G, 1.3 A, 220 V, Freezer horizontal, Filtre 20 G, Capilaire 0.036, 2 M, Thermostat mecanique

written by Lilianne | 30 April 2022

Géant
ELECTRONICS

Congélateur GN-BD(W)-370

Schéma électrique



بلد المنشأ: الصين

CLIMAT DE TYPE:	T CLASSE
CLASSIFICATION DE	
ELECTRICITE RESISTANTE:	I
VOLUME DE STOCKAGE:	370L
VOLUME DU CONGELATEUR :	370L
FROZEN CAPACITE:	12kg/24h
TENSION NOMINALE :	220V~
FREQUENCE NOMINALE :	50Hz
COURANT :	1.3A
VALEUR DE BRUIT:	42dB (A)
ALIMENTATION DE LAMPE NOMINALE:	2W
QUANTITE DE REFRIGERANT :	R134a/105g
GAZ D'ISOLATION:	CsHrs

CJ160337003172

Private Picture Copyright: WWW.MBSM.PRO

Mbsm.pro, Congélateur GN-bd(w)-370, Gean Electronique, Made in Chine, T classe, 370 L, Compressor, 1/4 Hp, R134A, 105 G, 1.3 A, 220 V, Freezer horizontal, Filtre 20 G, Capilaire 0.036, 2 M, Thermostat mecanique

Mbsm.pro, Compressor, Files, Pdf, Panasonic compressor, R134a, D-Series, Low Back Pressure

written by Jamila | 30 April 2022



Mbsm.pro, Compressor, Files, Pdf, Panasonic compressor, R134a, D-Series, Low Back Pressure

**Mbsm.pro, SWZ12, 000DK02D,
2eDM02000, Intercold,
Freezer, swz1/170, 222 w,
230v, Compressor, 1/4 hp,
R134a, 210 G, 290 L,
Intercold horizontal freezers
for frozen**

written by Lilianne | 30 April 2022



Private Picture Copyright: WWW.MBSM.PRO

Mbsm.pro, SWZ12, 000DK02D, 2eDM02000, Intercold, Freezer,
swz1/170, 222 w, 230v, Compressor, 1/4 hp, R134a, 210 G, 290
L, Intercold horizontal freezers for frozen

Mbsm.pro, compressor, TS33vdec, air conditioner, Mitsubishi Hermetic, Refrigeration, Rotary Compressor, Model Ts33vdec, 1 Hp, 10098 btu/h, 945 w, R410A

written by Lilianne | 30 April 2022



Private Picture Copyright : WWW.MBSM.PRO

TS33vdec

Mbsm.pro, Pdf, Is it useful

to fill gas r22 in place of r410

written by Lilianne | 30 April 2022



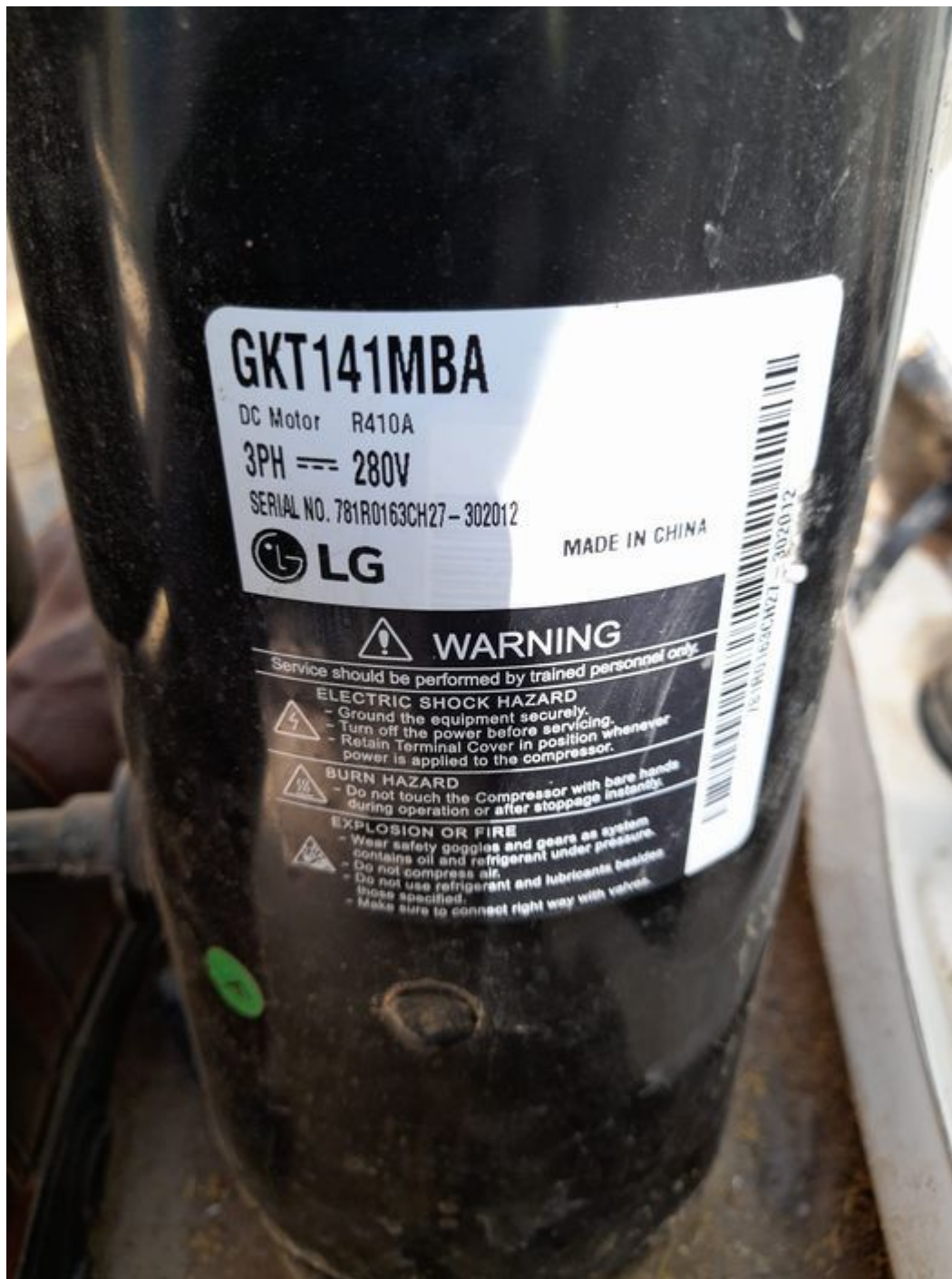
Private Picture Copyright: WWW.MBSM.PRO

Mbsm.pro, Pdf, Is it useful to fill gas r22 in place of r410

Mbsm.pro, GKT141MBA, Compressor, LG, inverter,

BDC, DC compressor, 3 PH, 2.5 HP, 18000 Btu/h, R410A

written by Lilianne | 30 April 2022



Private Picture Copyright: WWW.MBSM.PRO

Mbsm.pro, GKT141MBA, Compressor , LG, inverter, BDC, DC compressor, 3 PH, 2.5 HP, 18000 Btu/h, R410A

**Mbsm.pro, air conditioner,
HBM-18000c, Hyunday, 18000
btu/h, 1.5 ton, 2 hp++,
Cooling only, t1**

written by Lilianne | 30 April 2022

HYUNDAI

**SPLIT TYPE AIR CONDITIONING
INDOOR UNIT
HBM-18000C**

- 2022 Model Design
- Self Clean System
- Tropical Compressor
- Made For Hot Air

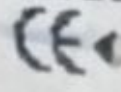


Mbsm.pro, air conditioner, HBM-18000c, Hyunday, 18000 btu/h,
1.5 ton, 2 hp++, Cooling only, t1

**Mbsm.pro, Compressor,
EG70HLR, Embraco,
Refrigerator, 1/4 hp, Lbp,
R134, Eg 70 Hlr**

written by Lilianne | 30 April 2022

Embraco EG 70HLR



HERMALLY PROTECTED

220-240V
50Hz

13.3 LRA
R 134a 1 PH



MADE IN BRAZIL



513700055 FAB 1 29-SEP-02 J03NB46P



Mbsm.pro, Compressor, EG70HLR, Embraco, Refrigerator, 1/4 hp,
Lbp, R134, Eg 70 Hlr

**Mbsm.pro, Compressor Lg,
26000 btu/h, QP442PBA, LG, AC
Rotary Compressor, Rotary
Scroll Compressor, 220-240V
50HZ, 2 ton, 3 Hp++, 1 PH,
Cappilary 070 Two pieces, 45
cm long**

written by Lilianne | 30 April 2022

QP442PBG A31MRC

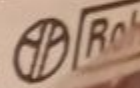
THERMALLY PROTECTED R22

1 PH 50 Hz 220-240V ~ LRA 75



SERIAL NO. 7DE02730-A-1TA23-A0126

LG Electronics Inc. MADE IN KOREA



WARNING

Service should be performed by trained persons



ELECTRIC SHOCK HAZARD

- Ground the equipment securely.
- Turn off the power before servicing.
- Retain Terminal Cover in position whenever power is applied to this compressor.



BURN HAZARD

- Do not touch the Compressor with bare hands during operation or after stoppage instantly.



EXPLOSION OR FIRE

- Wear safety goggles and gears as system contains oil and refrigerant under pressure.
- Do not compress air.
- Do not use refrigerant and lubricants besides those specified.
- Make sure to connect right way with valves.

Private Picture Copyright : WWW.MBSM.PRO

Mbsm.pro, Compressor Lg, 26000 btu/h, QP442PBA, LG, AC Rotary Compressor, Rotary Scroll Compressor, 220-240V 50HZ, 2 ton, 3 Hp, 1 PH