

**Mbm.pro, Compressor,
UR8b180DTAeH, Samsung ,
R22,18000 btu, 8 A**

written by Lilianne | 2 September 2022



Private Picture Copyright : WWW.MBSM.PRO

Mbm.pro, Compressor, UR8b180DTAeH, Samsung , R22,18000 btu

**Mbsm.pro, Daewoo Compressor,
YX58LHP5, R134a, 200 w, 1/4
hp, 683 BTU, Lbp, 95 G,
Congélateur, CONDOR NOFROST,
375L**

written by Lilianne | 2 September 2022

| | | | | | | | | | | | | | |
|----|-----------------|------|-----|-----|-----|------|------|------|------|------|----------|-----|-----|
| | JX58LHK4 | 5.84 | 161 | 170 | 198 | 675 | 1.06 | 1.23 | 4.19 | CSIR | ST/FC | 8.2 | 230 |
| | JX58LHP4 | 5.84 | 139 | 170 | 198 | 675 | 1.22 | 1.42 | 4.85 | RSCR | ST/FC | 8.2 | 230 |
| | JX58LHP4-K | 5.85 | 155 | 170 | 198 | 675 | 1.10 | 1.28 | 4.35 | RSCR | ST/FC | 8.2 | 230 |
| | JX58LHS4 | 5.84 | 150 | 170 | 198 | 675 | 1.13 | 1.32 | 4.50 | RSIR | ST/FC | 8.2 | 230 |
| YH | HPL15YH-4 | 5.12 | 122 | 135 | 157 | 536 | 1.11 | 1.29 | 4.39 | RSCR | ST/OC/FC | 8.9 | 290 |
| | HPL17YH-4 | 5.55 | 131 | 148 | 172 | 587 | 1.13 | 1.31 | 4.48 | RSCR | ST/OC/FC | 8.9 | 290 |
| | HPL19YH-4 | 5.84 | 137 | 170 | 198 | 675 | 1.24 | 1.44 | 4.92 | RSCR | ST/OC/FC | 9.5 | 290 |
| | HDL21YH-4 | 6.72 | 156 | 189 | 220 | 750 | 1.21 | 1.41 | 4.81 | CSR | ST/OC/FC | 9.5 | 290 |
| | HPL21YH-4 | 6.73 | 155 | 188 | 219 | 746 | 1.21 | 1.41 | 4.81 | RSCR | ST/OC/FC | 9.5 | 290 |
| | HPL23YH-4 | 7.03 | 165 | 201 | 234 | 798 | 1.22 | 1.42 | 4.83 | RSCR | ST/OC/FC | 9.5 | 290 |
| | HPL26YH-4 | 8.25 | 205 | 235 | 273 | 933 | 1.15 | 1.33 | 4.55 | RSCR | ST/OC/FC | 9.5 | 290 |
| YX | YX46LHP4 | 4.62 | 104 | 125 | 145 | 496 | 1.20 | 1.40 | 4.77 | RSCR | ST/OC/FC | 8.8 | 290 |
| | YX51LHP4 | 5.12 | 120 | 150 | 174 | 595 | 1.25 | 1.45 | 4.96 | RSCR | ST/OC/FC | 8.8 | 290 |
| | YX51LHP4-K | 5.12 | 128 | 144 | 168 | 572 | 1.12 | 1.31 | 4.46 | RSCR | ST/OC/FC | 8.8 | 290 |
| | YX58LHP4 | 5.84 | 133 | 172 | 200 | 693 | 1.29 | 1.50 | 5.13 | RSCR | ST/OC/FC | 9.8 | 290 |
| YG | HPL21YG-4 | 6.73 | 175 | 185 | 215 | 734 | 1.06 | 1.23 | 4.20 | RSCR | ST/OC/FC | 9.0 | 290 |
| | HPL27YG-4A | 8.69 | 232 | 250 | 291 | 992 | 1.08 | 1.25 | 4.28 | RSCR | ST/OC/FC | 9.5 | 290 |
| | HPL30YG-4 | 9.92 | 247 | 283 | 329 | 1123 | 1.15 | 1.33 | 4.55 | RSCR | ST/OC/FC | 9.5 | 290 |

Private Picture Copyright : WWW.MBSM.PRO



Private Picture Copyright : WWW.MBSM.PRO





Réfrigérateur - Congélateur

Modèle H 430NC Classe T

Volume brut 375L

Volume utile compt denrées fraîche 242L

Volume utile compt basse température 90L

Voltage / Fréquence 220-240V - 50Hz

Puissance 0.8A

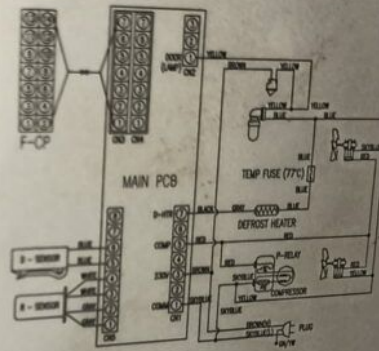
Puissance de dégivrage 180W

Puissance de lampe 25W*1

Réfrigérant R134a

N° de série

WIRING DIAGRAM



Note: 1. laissez au moins 5cm d'espace libre à l'arrière de l'appareil pour une bonne ventilation.
2. Après avoir débranché l'appareil, attendre 5 minutes avant de le rebrancher.

W541-S

Private Picture Copyright : WWW.MBSM.PRO



Mbsm_dot_pro_private_PDF_YX58LHP5-R134aTélécharger