

Mbsm.pro, LG, Compressor, MA69LCEG, 1/4 HP, R134a, LBP

written by Lilianne | 17 January 2024

 R134a   LG CE

MA69LCEG 

1PH 220 - 240V - 50Hz
THERMALLY PROTECTED

ROHS Taizhou LG Electronics Refrigeration Co., Ltd.



DMA69LCEG110011500469

Mbsm.pro, LG, Compressor, MA69LCEG, 1/4 HP, R134a, LBP

**Mbsm.pro, Danfoss,
Compressor, 1/4hp++, hbp, 1/3
hp-, Fr10g, 134a,
103g6880, 103g6890,
220v/1ph/50-60h**

written by Lilianne | 17 January 2024



Private Picture Copyright : WWW.MBSM.PRO

Mbsm.pro, Danfoss, Compressor, 1/4hp++, hbp, 1/3 hp-, Fr10g,

134a, 103g6880,103g6890, 220v/1ph/50-60h

**Mbsm.pro, Beko, Tee,
Compressor, Turk, VNTZ165M,
VNTZ 165 M, VNTZ165MT /
VNTZ165M, R600A, lbp,
Inverter, variable speed,
blcd, 165 kcal, 195 w**

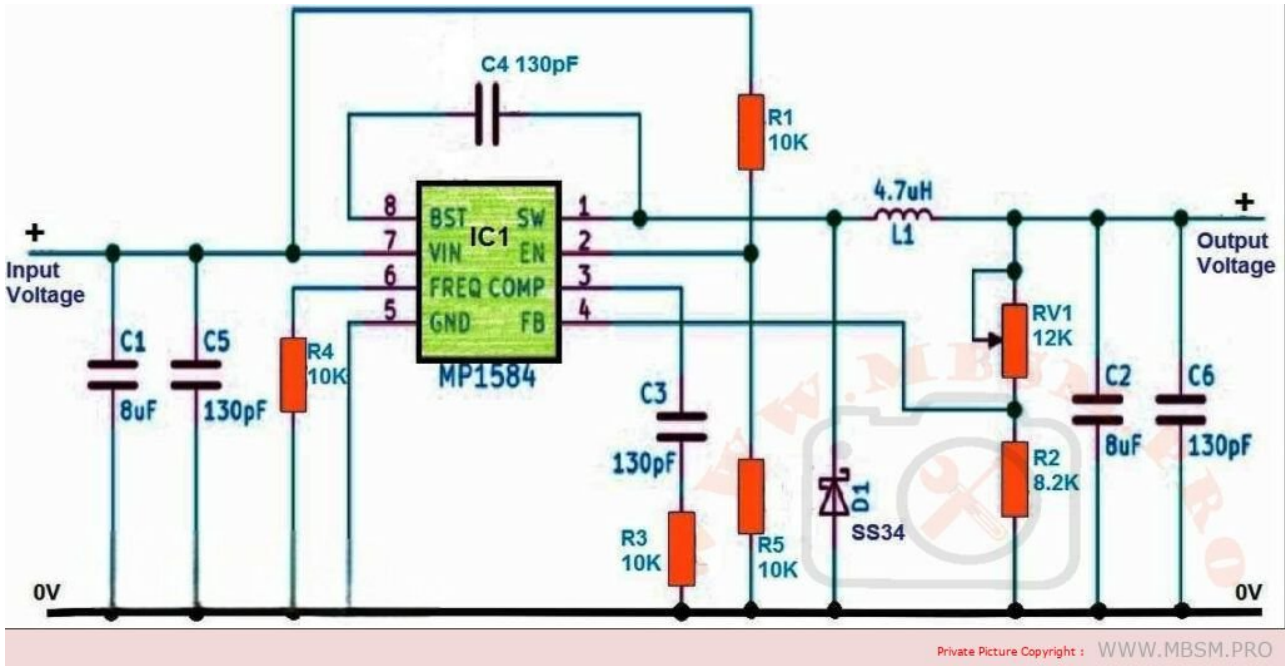
written by Lilianne | 17 January 2024



Mbsm.pro, Beko, Tee, Compressor, Turk, VNTZ165M, VNTZ 165 M, VNTZ165MT / VNTZ165M, R600A, lbp, Inverter, variable speed, blcd, 165 kcal, 195 w

**Mbsm.pro, 3A Adjustable
voltage regulator circuit
from 12 v to 5 v DC**

written by rober us | 17 January 2024



Mbsm.pro, 3A Adjustable voltage regulator circuit from 12 v to 5 v DC

Mbsm.pro, Conversion circuit, from 220 v to 12 v / 1 A, to operate a, DC12V, fan, in the refrigerator

written by rober us | 17 January 2024

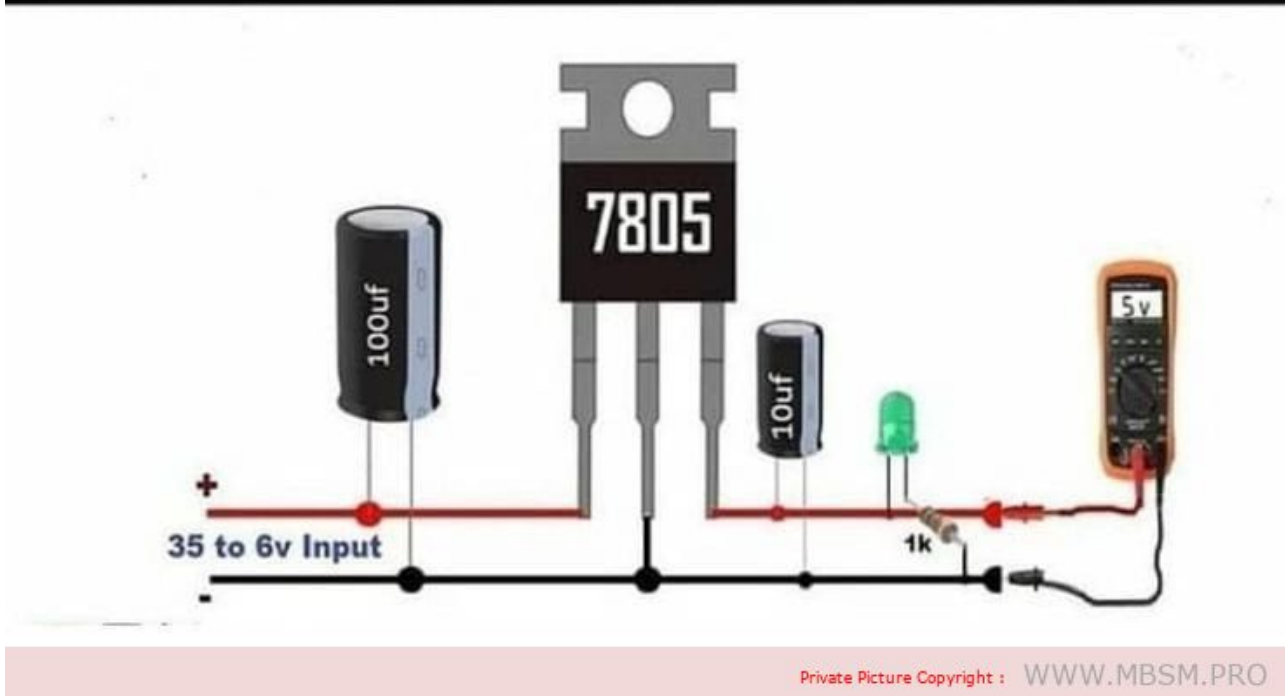
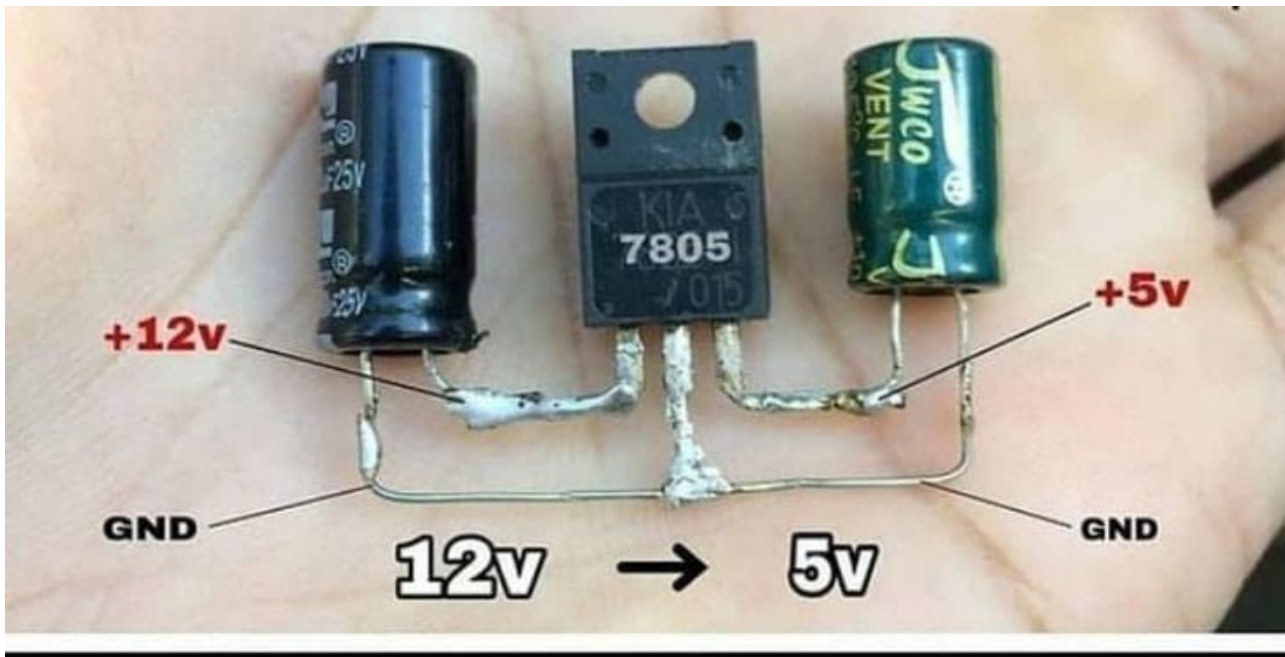


Private Picture Copyright : WWW.MBSM.PRO

Mbsm.pro, Conversion circuit, from 220 v to 12 v / 1 A, to operate a, DC12V, fan, in the refrigerator

Mbsm.pro, 7805, 12/5Volt, Regulator, Circuit, Diagram

written by rober us | 17 January 2024



Private Picture Copyright : WWW.MBSM.PRO

Mbsm.pro, 7805, 12/5Volt, Regulator, Circuit, Diagram

**Mbsm.pro, Compressor, 1/4 hp,
1bp, Refrigerant, R134a,**

**EMT65HLR, 220-240V 50Hz, 1PH,
Embraco, 182 w, 5.96 cm³, 157
kcal**

written by Lilianne | 17 January 2024



Mbsm.pro, Compressor, 1/4 hp, lbp, Refrigerant, R134a, EMT65HLR, 220-240V 50Hz, 1PH, Embraco, 182 w, 5.96 cm³, 157 kcal

Mbsm.pro, FH4524F compressor capacitor ?

written by Lilianne | 17 January 2024



Private Picture Copyright : WWW.MBSM.PRO

Mbsm.pro, FH4524F compressor capacitor ?

Mbsm.pro, Embraco, compressor, Embraco aspera, T6220E, 1HP, r22

written by Lilianne | 17 January 2024



Mbsm.pro, Embraco, compressor, Embraco aspera, T6220E, 1HP, r22

Mbsm.pro, Tee compressor ,

**AE881YC, AE 881 YC, 881 kcal,
1024 w, Hbp, 1/3 hp++,
220-240VAC 50Hz, LRA: 17.0,
MADE IN TURKEY**

written by Lilianne | 17 January 2024



Private Picture Copyright : WWW.MBSM.PRO

Mbsm.pro, Tee compressor , AE881YC, AE 881 YC, 881 kcal, 1024 w, Hbp, 1/3 hp++, 220-240VAC 50Hz, LRA: 17.0, MADE IN TURKEY