

Compressori ermetici EMBRACO (Aspera)
Hermetic compressor EMBRACO (Aspera)
EMBRACO (Aspera) hermetische Kompressoren



Codice Frigo System	modello model Modell	cilindrata displac. hubraum (cm ³)	olio oil Ölful. POE (cm ³)	espans. expans. Expans.	resa - capacity - Leistung (Watt)						tipo mot. motor type Motortyp	Caratteristiche elettriche Electrical data Elektrische Daten				disegno/drawings		altez. heig. Höhe A (mm)
					temp.evap.-evapor.temp.-Verdampfungs-temp. (°C)							Potenza ass. power absorb. Leistungsaufn. (W)		FLA (A)	LRA (A)	dimens. external views	schema coll. wiring diagram	
					-30	-25	-20	-15	-10	-5		Tensione Voltage Spannung						
AS0120440	BP1064Z	2,85	200	C	44	61	84	110	142	179	RSIR	220/1/50	66	0,5	2,7	DWG02	SM00	150
AS0120160	BP1058Z	3,4	200	C	51	72	98	130	167	210	RSIR	220/1/50	92	0,6	3,3	DWG02	SM00	150
AS0120468	BP1072Z	4,15	200	C	67	91	120	155	196	243	RSIR	220/1/50	92	0,6	3,6	DWG02	SM00	150
AS0120776	BP1084Z	4,6	200	C	76	103	137	177	224	277	RSIR	220/1/50	103	0,7	4	DWG02	SM00	150
AS0121084	BP1111Z	5,93	200	C	94	123	160	207	262	325	RSIR	220/1/50	125	0,9	5,5	DWG02	SM00	159
AS0121119	BPM1046Z	2,34	200	C	32	47	66	89	115	145	RSIR	220/1/50	53	0,3	3,2	DWG02	SM00	150
AS0121154	BPM1058Z	2,85	200	C	50	69	92	121	154	192	RSIR	220/1/50	62	0,4	2,2	DWG02	SM00	150
AS0121224	BPM1072Z	3,4	200	C	63	84	111	144	182	226	RSIR	220/1/50	75	0,4	2,5	DWG02	SM00	150
AS0122463	BPM1084Z	4,15	200	C	79	105	138	177	224	277	RSIR	220/1/50	92	0,6	3,2	DWG02	SM00	150
AS0122533	BPM1110Z	4,6	200	C	86	114	150	192	242	299	RSIR	220/1/50	103	0,7	4	DWG02	SM00	150
AS0122617	BPM1111Z	5,61	200	C	102	135	177	228	288	356	RSIR	220/1/50	122	0,8	5,4	DWG02	SM00	150
AS0122652	NB1112Z	6,26	350	C	102	138	183	237	300	372	RSIR	220/1/50	127	0,9	8,3	DWG04	SM00	177
AS0124542	NB2112Z	6,26	350	C/V							CSIR	220/1/50	127	0,86	6,3	DWG04	SM09	177
AS0124577	NB1114Z	6,26	350	C	104	146	197	258	327	405	RSIR	220/1/50	134	1,1	9,5	DWG04	SM00	177
AS0125004	NB1116Z	8,4	350	C	135	181	238	305	383	470	RSIR	220/1/50	164	1,2	9,5	DWG04	SM00	187
AS0125389	NB2116Z	8,4	350	C/V							CSIR	220/1/50	169	2,8	8,8	DWG04	SM09	187
AS0125669	NB1118Z	8,07	350	C	144	195	258	335	425	528	RSIR	220/1/50	165	1,1	11	DWG04	SM00	200
AS0125851	NB2118Z	8,07	350	C/V							CSIR	220/1/50	162	0,9	9,3	DWG04	SM09	187
AS0124248	NE1121Z	9,27	450	C	184	245	322	412	518	640	RSIR	220/1/50	198	1,5	14,8	DWG05	SM06	200
AS0124353	NE2121Z	9,27	450	C/V							CSIR	220/1/50	204	1,4	12,6	DWG05	SM09	200
AS0124423	NE1130Z	12,12	450	C	235	313	408	520	650	800	RSIR	220/1/50	245	1,5	16,3	DWG05	SM06	200
AS0141300	NE2130Z	12,12	450	C/V							CSIR	220/1/50	260	2,1	13,2	DWG05	SM09	200
AS0141335	T2130Z	19,04	580	C/V	308	389	512	678	887	1139	CSIR	220/1/50	367	2,8	13	DWG10	SM15	201
AS0141405	T1140Z	22,4	580	C	327	434	591	799	1057	1364	RSIR	220/1/50	367	2,5	26	DWG10	SM12/13	221
AS0141622	T2140Z	22,4	580	C/V							CSIR	220/1/50	367	2,5	20	DWG10	SM14	221
AS0141440	J2152Z	27,12	890	C/V	360	551	777	1039	1335	1666	CSIR	220/1/50	438	2,9	24	DWG15	SM20	265

- Resa frigorifera:
 Temperatura aria ambiente +32°C
 Temperatura di condensazione +45°C
 Surriscaldamento 11,1°C (MBP/MHBP)
 Temperatura aspirazione 4,4°C (LBP)
 Sottoraffreddamento 8,3°C (MBP/MHBO) (LBP)

- Potenza assorbita massima riferita a:
 Espansione -10°C (MBP/MHBP)
 -23°C (LBP)
 Condensazione +55°C

- FLA - Corrente di funzionamento riferita a:
 Espansione -10°C (MBP/MHBP)
 -23°C (LBP)
 Condensazione +55°C

- LRA - Corrente a rotore bloccato

- Refrigerating capacity:
 Ambient temperature +32°C
 Condensing temperature +45°C
 Superheating 11,1°C (MBP/MHBP)
 Return gas temperature 4,4°C (LBP)
 Subcooling 8,3°C (MBP/MHBP) (LBP)

- Maximum absorbed power referring to:
 Evaporation -10°C (MBP/MHBP)
 -23°C (LBP)
 Condensing +55°C

- FLA - Working current referring to:
 Evaporation -10°C (MBP/MHBP)
 -23°C (LBP)
 Condensing +55°C

LRA - Locked rotor current

- Kühlleistung:
 Raumtemperatur +32°C
 Kondensationstemperatur +45°C
 Überhitzung 11,1°C (MBP/MHBP)
 Ansauggastemperatur 4,4°C (LBP)
 Unterkühlung 8,3°C (MBP/MHBP) (LBP)

- Elektrische daten:
 Verdampfungs -10°C (MBP/MHBP)
 -23°C (LBP)
 Kondensation +55°C

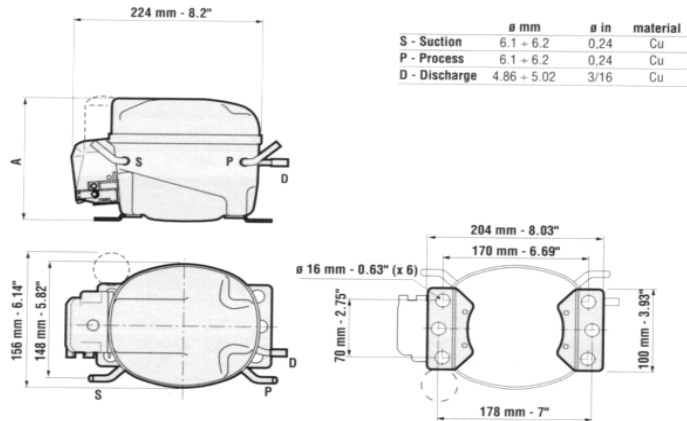
- FLA
 Verdampfungs -10°C (MBP/MHBP)
 -23°C (LBP)
 Kondensation +55°C

LRA - Anlaufstrom

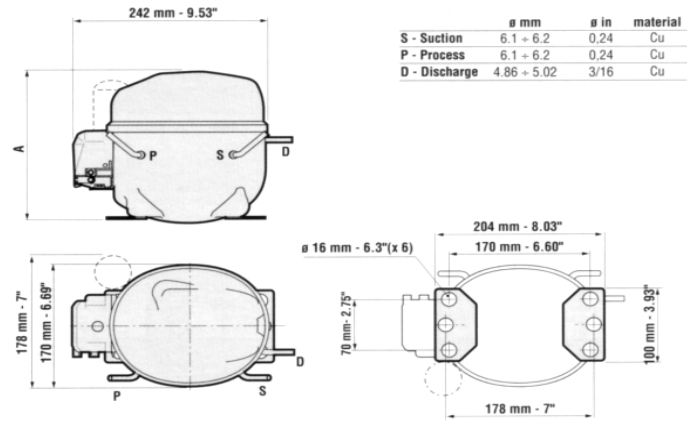
Compressori ermetici EMBRACO (ASPERA)
 Hermetic compressor EMBRACO (ASPERA)
 EMBRACO (ASPERA) hermetische Kompressoren



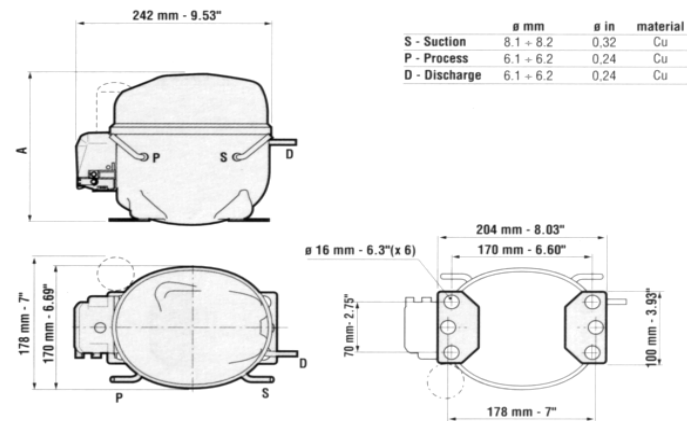
DWG 02 BP SERIES European Base Plate



DWG 04 NB/NE SERIES European Base Plate



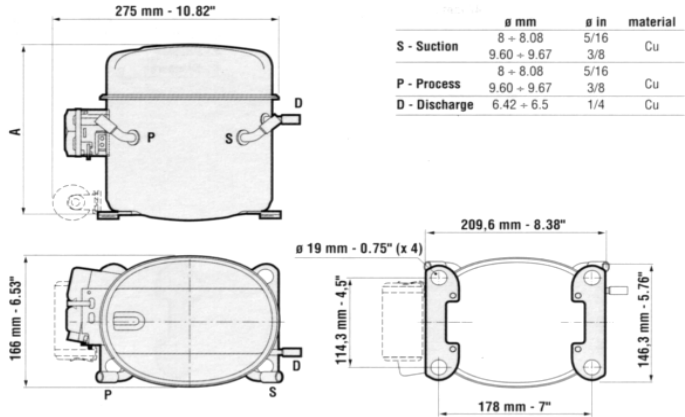
DWG 05 NB/NE SERIES European Base Plate



Compressori ermetici EMBRACO (ASPERA)
 Hermetic compressor EMBRACO (ASPERA)
 EMBRACO (ASPERA) hermetische Kompressoren



DWG 10 T SERIES Terminal Board



DWG 15 J SERIES

