



▾ **R600a Compressor EK Series(70w-165w)**

[R600a Compressor EK Series\(70w-165w\) Data sheet](#) [【 Back 】](#)

R600a

系列 Series	气缸容积 Displacement cm ³	型号 Model	冷却方式 Cooling	电压/频率 Vol./Fre. V/Hz	制冷量 Capacity			性能系数 C.O.P			电机 Motor		认证 Certification	高度"A" Height "A" mm
					ASHRAE W	CECOMAF Btu	CECOMAF W	ASHRAE W/W	EER	CECOMAF W/W	类型 Type	绕组 windings		
K	4.5	*EKY45L	ST	220/50	70	239	62	1.68	5.5	1.31	RSCR	AI	---	175
									1.62	5.2	1.26			
	5.0	*EKB50L	ST	220/50	82	280	62	1.80	6.14	1.40	RSCR	AI	---	175
		*EKH50L	ST	220/50	82	280	62	1.73	5.90	1.35	RSCR	AI	---	173
	5.5	*EKB55L	ST	220/50	96	328	72	1.80	6.14	1.40	RSCR	AI	---	175
		*EKH55L	ST	220/50	96	328	72	1.73	5.90	1.35	RSCR	AI	---	173
		*EKZ55L	ST	220/50	96	328	72	1.66	5.66	1.29	RSCR	AI	---	168
*EKY55L		ST	220/50	96	328	72	1.60	5.50	1.25	RSCR	AI	---	168	
							1.52	5.20	1.19	RSIR				

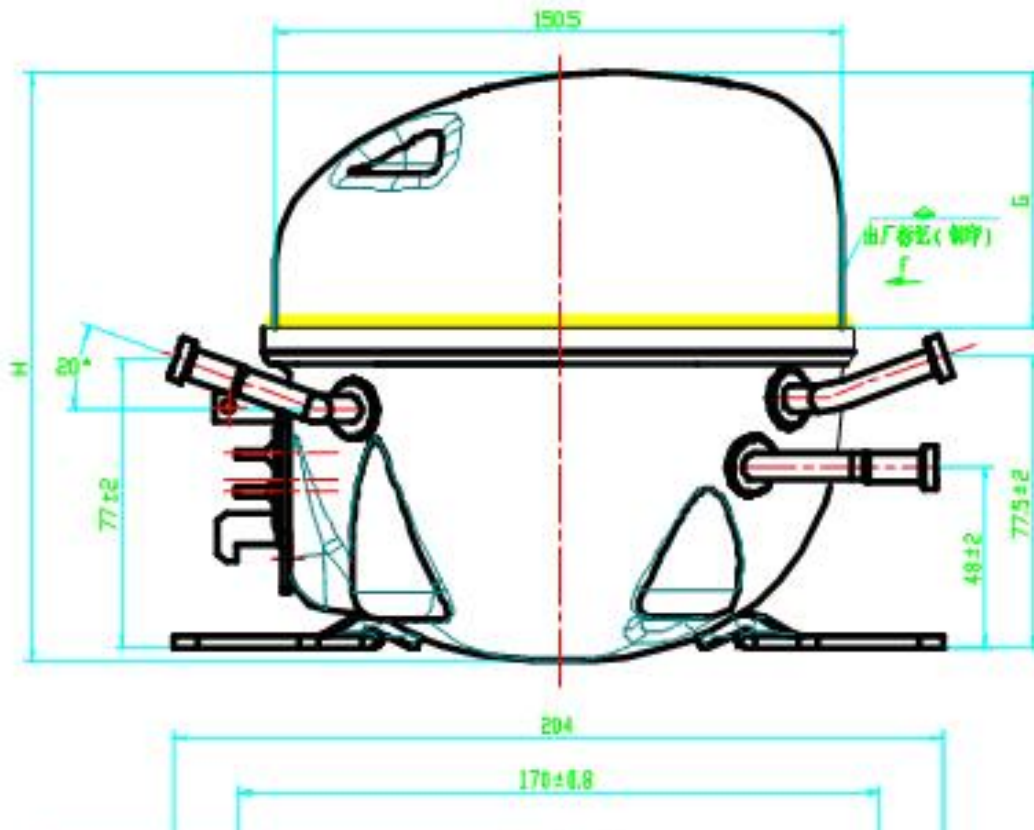
										RSIR			
6.0	*EKB60L	ST	220/50	102	348	77	1.80	6.14	1.40	RSCR	AI	---	175
	*EKH60L	ST	220/50	102	348	77	1.75	5.97	1.37	RSCR	AI	---	173
	*EKZ60L	ST	220/50	102	348	77	1.70	5.73	1.31	RSCR	AI	---	168
							1.62	5.50	1.26	RSIR			
6.6	*EKY60L	ST	220/50	102	348	77	1.60	5.50	1.25	RSCR	AI	---	164
							1.52	5.20	1.19	RSIR			
	*EKB66L	ST	220/50	115	392	86	1.80	6.14	1.40	RSCR	AI	---	175
	*EKH66L	ST	220/50	115	392	86	1.75	5.97	1.37	RSCR	AI	---	175
	*EKZ66L	ST	220/50	115	392	86	1.70	5.80	1.33	RSCR	AI	---	168
						1.62	5.53	1.26	RSIR				
7.0	*EKY66L	ST	220/50	115	392	86	1.60	5.50	1.25	RSCR	AI	---	164
							1.52	5.20	1.19	RSIR			
	*EKD66L	ST	220/50	115	392	86	1.45	4.95	1.13	RSIR	AI	---	164
	*EKB70L	ST	220/50	120	409	90	1.80	6.14	1.40	RSCR	AI	---	175
	EKH70L	ST	220/50	120	409	90	1.75	5.97	1.37	RSCR	AI	CCC	176
7.5	*EKZ70L	ST	220/50	120	409	90	1.70	5.80	1.33	RSCR	AI	---	168
							1.62	5.53	1.26	RSIR			
	*EKY70L	ST	220/50	120	409	90	1.60	5.50	1.25	RSCR	AI	---	164
							1.52	5.20	1.19	RSIR			
	*EKD70L	ST	220/50	120	409	90	1.45	4.95	1.13	RSIR	AI	---	164
7.5	*EKB75L	ST	220/50	135	461	101	1.80	6.14	1.40	RSCR	AI	---	175
	EKH75L	ST	220/50	135	461	101	1.75	5.97	1.37	RSCR	AI	CCC	176

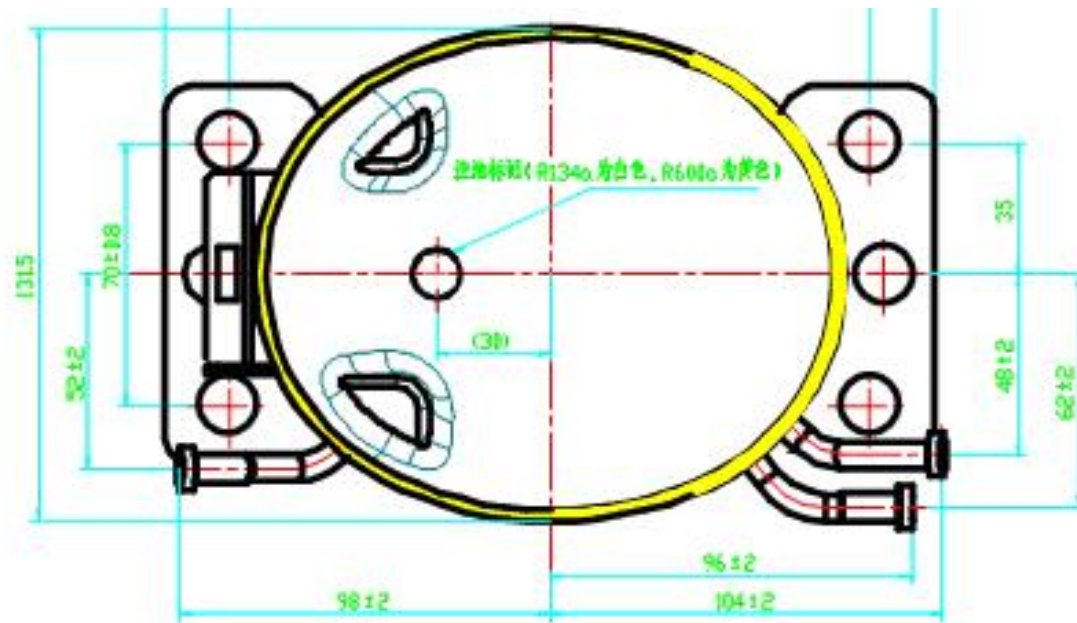
	*EKZ75L	ST	220/50	135	461	101	1.70 1.62	5.80 5.53	1.33 1.26	RSCR RSIR	AI	---	173
	*EKY75L	ST	220/50	135	461	101	1.60 1.52	5.50 5.20	1.25 1.19	RSCR RSIR	AI	---	168
	*EKD75L	ST	220/50	135	461	101	1.45	4.95	1.13	RSIR	AI	---	164
8.0	*EKB80L	ST	220/50	145	495	109	1.80	6.14	1.40	RSCR	AI	---	175
	*EKH80L	ST	220/50	145	495	109	1.75	5.97	1.37	RSCR	AI	---	175
	*EKZ80L	ST	220/50	145	495	109	1.70 1.62	5.80 5.53	1.33 1.26	RSCR RSIR	AI	---	173
	*EKY80L	ST	220/50	145	495	109	1.60 1.52	5.50 5.20	1.25 1.19	RSCR RSIR	AI	---	168
	*EKD80L	ST	220/50	145	495	109	1.45	4.95	1.13	RSIR	AI	---	168
	*EKA80L	ST	220/50	145	495	109	1.35	4.61	1.05	RSIR	AI	---	164
9.0	*EKB90L	ST	220/50	155	529	116	1.80	6.14	1.40	RSCR	AI	---	175
	*EKH90L	ST	220/50	155	529	116	1.75	5.97	1.37	RSCR	AI	---	175
	*EKZ90L	ST	220/50	155	529	116	1.70 1.62	5.80 5.53	1.33 1.26	RSCR RSIR	AI	---	173
	*EKY90L	ST	220/50	155	529	116	1.60 1.52	5.50 5.20	1.25 1.19	RSCR RSIR	AI	---	168
	*EKD90L	ST	220/50	155	529	116	1.45	4.95	1.13	RSIR	AI	---	168
	*EKA90L	ST	220/50	155	529	116	1.35	4.61	1.05	RSIR	AI	---	168
9.5	*EKB95L	ST	220/50	165	563	124	1.80	6.14	1.40	RSCR	AI	---	175
	*EKH95L	ST	220/50	165	563	124	1.75	5.97	1.37	RSCR	AI	---	175

	*EKZ95L	ST	220/50	165	563	124	1.70 1.62	5.80 5.53	1.33 1.26	RSCR RSIR	AI	--	173
	*EKY95L	ST	220/50	165	563	124	1.60 1.52	5.50 5.20	1.25 1.19	RSCR RSCR	AI	--	168
	*EKD95L	ST	220/50	165	563	124	1.45	4.95	1.13	RSIR	AI	--	168
	*EKA95L	ST	220/50	165	563	124	1.35	4.61	1.05	RSIR	AI	CCC	170

Note: The models with "*" are under development

R600a Compressor EK Series(70w-165w) Dimension [Back]





R600a Compressor EK Series(70w-165w) Wiring diagram [Back]

