

GENERAL CATALOGUE

Compressors & Condensing Units



for Commercial Refrigeration

R134a · R404A · R507 · R600a · R290 · R22



cubigel[®]
compressors
by
HUAYI
COMPRESSOR
BARCELONA





For every type of application

The most complete range of products



Sustainable Cooling

Natural Refrigerants



Low energy consumption

Worldwide presence



Mobile applications

HUAYI COMPRESSOR BARCELONA

Leading manufacturer
of compressors



Huayi Compressor Barcelona

focuses on developing advanced compressor technologies to meet the commercial refrigeration market requirements worldwide.

50 years

experience in designing,
manufacturing and selling
hermetic compressors
and condensing units for the
commercial refrigeration market

1. General Information

- The Company
- The Product
- Family of Compressors and Condensing Units
- The Green Cooling Ranges
- Compressors for mobile applications DC 12-42V
- Compressor ranges main characteristics
- Identification Labels and Approvals
- Compressor Nomenclature
- Voltage
- Applications
- Safe Operating Area
- Type of Electrical Motors
- Compressor Product Summary
- Condensing Unit
- Features, Benefits and Customized Versions
- Condensing Unit Versions and Designation
- Condensing Unit Product Summary
- How to Read the Catalogue

2. Compressor Catalogue

- R134a
- R404A / R507
- R290 / R600a
- R22

3. Condensing Unit Catalogue

- R134a
- R404A / R507
- R290
- R22
- R134a – 12-42 V DC

4. Technical Information

- Compressor Dimensional Drawings
- Condensing Units Layouts
- Packaging
- Fittings
- Wiring Diagrams



HUIYUAN



General Information



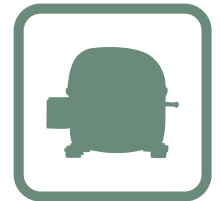
Research and Development

Leadership



Reliability

Innovation



Cutting-edge technology

People



The Company

Huayi Group has with a global presence; headquarters in China and subsidiaries in Europe.

Huayi Compressor Co., Ltd.

Huayi Compressor Co., Ltd. was founded in 1990, located in Jingdezhen, China, and is a worldwide leader of household compressor manufacturing. It specializes in the production of hermetic compressors with a complete range from 40W to 400W for refrigerators, water dispensers and dehumidifiers, among other household appliances.

The core value of the company is “Employee, Customer and Shareholder Satisfaction”.

Huayi Compressor Barcelona, S.L.

Huayi Compressor Barcelona, S.L., subsidiary of Huayi Group, was founded in 1962 under the name of Unidad Hermética with the aim of producing hermetic compressors and cooling equipment. Today, the company belongs to Huayi Compressors Co. Ltd.

Oriented to develop quality product supported by European production, with more than 100 million compressors produced under the Cubigel Compressors® brand, the company mission has remained the same during its 51 years of experience developing compressors and satisfying the refrigeration market trends of Commercial Refrigeration.

The compressors are designed to optimize energy consumption to reduce the effects of Global Warming, which are the goals of innovative R&D, focused on developing a wide range of products apt for the market requirements.





The Product

Extended range of compressors

The most complete range of hermetic compressors for every commercial application under the Cubigel Compressor® brand. The offer includes more than 500 different models of compressors from ranges of 2.4 to 34cc, in most refrigerant gases, main voltages and types of applications.



Condensing Units

High quality hermetic condensing units with a wide range of options for most Commercial Refrigeration applications being also able to work under tropical temperature conditions. The range of condensing unit models covers both standard and customized versions.



The green cooling ranges

The advanced design of the Green Cooling ranges allows a remarkable efficiency improvement. These ranges comprise High Efficiency, Natural Refrigerants and the Variable Speed Compressors. This last one is crucial to reduce refrigeration energy consumption as the motor is electronically controlled.



Compressors for mobile applications

The best DC power supply compressors for mobile applications that are used in recreational vehicles, such as boats, caravans, cars that are equipped with refrigerators and freezers; and also in trucks or other transportation vehicles equipped with air conditioners in the sleeping cabins.



Family of Compressors and Condensing Units



D range

Features:
Very compact design, Low weight, extra silent

Range:
2.40 to 4.03 cc

Refrigerants:
R134a, R600a

Applications:
Water Coolers, Can Coolers, Bottle Coolers, Small Refrigerators and Freezers



L range

Features:
The highest efficient range with propane (R290) & isobutene (R600a)

Range:
4.00 to 9.9 cc

Refrigerants:
R134a, R404A, R600a, R290, R507, R22

Applications:
Household Refrigerators, Bottle Coolers and Freezers, Can Coolers, Chest Freezers, Vending Machines, Ice Cream Freezers, Beer Dispensers, Ice Makers, Soft Drinks Dispensers, Heat Pumps Systems



P range

Features:
High Efficiency versions
The highest efficient range with propane (R290) & isobutene (R600a) range with propane (R290) & isobutene (R600a)

Range:
12.00 - 16.00 cc

Refrigerants:
R134a, R404A, R600a, R290, R507, R22

Applications:
Household Refrigerators, Bottle Coolers and Freezers, Can Coolers, Chest Freezers, Vending Machines, Ice Cream Freezers, Beer Dispensers, Ice Makers, Soft Drinks Dispensers

X range



Features:

High reliability & efficiency. New design to work under heavy duty operation conditions

Range:

16.00 to 23.00 cc

Refrigerants:

R134a, R404A, R290, R407C, R507, R22

Applications:

Large Freezers (vertical and chest), Blast Freezers, Ice Makers, Vending Machines, Display Cabinets, Display Islands, Soft drinks dispensers

S range



Features:

Top capacity range, Optimized design to reduce vibration

Range:

18.00 to 34.42 cc

Refrigerants:

R134a, R404A, R407C, R507, R22

Applications:

Large Freezers (vertical and chest), Soft drinks dispensers, Blast Freezers, Air Dryers, Ice Makers, Air Conditioning, Vending Machines, Heat Pumps, Display, Cabinets and Islands

CONDENSING UNITS



Features:

Complete range of Condensing Units from 2.4 to 34 cc

High reliability & top-quality components

Specific customized versions

Designed to work under 43° C tropical conditions

Refrigerants:

R134a, R404A, R290, R407C, R507, R22

Applications:

Suitable for all applications



The Green Cooling Ranges

The most extended range of compressors for sustainable refrigeration in terms of energy consumption reduction.

The advanced design of the Green Cooling Ranges allows efficiency improvement providing energy consumption

reductions up to 45% compared to standard versions; consequently, lower CO₂ emissions to the atmosphere.

The Green Cooling Ranges comprise High Efficiency, Natural Refrigerants and Variable Speed Compressors.

The Green Cooling range get to improve the compressor COP between 20% and 30% in comparison with standard ranges.

High Efficiency Ranges

The High Efficiency models reduce energy consumption of commercial refrigeration appliances between 10% and 30% with respect to standard ranges. Most High-Efficiency models are equipped with electric motors, designed with the "optional run capacitor" concept, that is, the compressor can work with or without a running capacitor (CSR/CSIR), offering the level of efficiency with the same compressor.



Natural Refrigerants

Natural refrigerants like propane (R290) and isobutene (R600a) are being gradually introduced in commercial appliances, not only due to the replacement of H-CFC's and HFC's refrigerants which have high impact on environment, but also because it is more efficient in terms of performance and applications' energy consumption.

Refrigerant propane has no direct contribution to global warming and its energy consumption is between 10% to 15% lower than a similar application with R404A. The Cubigel Compressors® R290 compressors offer a higher cooling capacity and COP allowing energy-saving consumption with smaller displacement.

The major environmental benefits are obtained combining the use of the R290 with the design criteria of high efficiency ranges. These compressor models, in their more advanced version can save up to 50% of energy when compared with standard efficiency series of R404A thanks to its high-efficiency mechanics, its advanced motor winding design and the optional running capacitor concept.

Variable Speed Compressors

The Variable Speed Compressor offers the lowest energy consumption by means of electronically self-adjusting the compressors speed to the appliance's cooling needs, while improving COP up to 50%.

Using Smart Speed® software with communication capabilities, this compressor automatically achieves the best efficiency for the appliance while dynamically adapting the compressor's speed to the needed cooling capacity.

The major benefit can be obtained with a Variable Speed Compressor combined with the use of natural refrigerants, achieving a better performance with no contribution to global warming.

Variable
Speed
Compressors



Features:

High Efficiency, Exceptionally Silent
Flexible Speed Drive
Drop-in Configuration
External Controlling
200-240 V / 50-60Hz

Refrigerant:

R290, R134a





Compressors for mobile applications DC 12-42V

The Cubigel Compressors mobile cooling solutions for transportation vehicles are designed to operate from a 12-42V DC power supply. These compressors are designed for mobile DC applications in boats, trucks, private cars, medical appliances in ambulances, truck cabin air conditioners, among others.

The GD30FDC model is the solution for users requiring comfort and reliability while traveling where a DC powered refrigerator is utilized.

The GLT80TDC is the answer to the needs of users requiring comfort and reliability while traveling, either on holidays, at work or in any other circumstance where a DC powered air conditioner is utilized.

The electronic driver from all Mobile Compressors include the Smart Speed® programming option, which is a plug-in system for automatically self-adapting compressor speed the current thermal load.

The GD30FDC and GLT80TDC are designed to operate from a low voltage DC power supply to operate silently, efficiently and reliably even up to angles of tilt of 30° / 20° respectively, working with refrigerant R134a.

DC
Compressors
Range



Features:

DC compressors for mobile applications, exceptionally silent
GD30FDC VDE & UL approved
Ready to work under heavy duty operating conditions
12-42V DC / 24-42V DC / 100-240 V / 50-60Hz AC

Models:

GD30FDC, GLT80TDC.

Refrigerant:

R134a

Compressor Ranges Main Characteristics

Compressor ranges - Main characteristics							
Range	Displacement (cm ³)		Cooling capacity (W) [°]				Weight (max) (kg)
			LBP		HMBP		
	min	max	min	max	min	max	
D	2.4	4	47	95	210	360	7
L	4.5	9.9	110	460	324	1410	11
P	10	16	190	775	1065	2080	13
X	16	23	400	1060	1655	3030	17
S	18	34	1215	1620	2475	5265	23

*All refrigerants / Measured at ASHRAE rating condition 50 Hz

Identification Labels and Approvals

The image shows a detailed identification label for a cubigel compressor. The label includes the following information:

- Model:** GL90TG
- Voltage:** 200-220 V-50 Hz and 220-230 V-60 Hz
- Approvals:** R134a, PH1, and a square symbol with the number 2.
- Production Date:** 05101
- Bar Code:** 9720657468000148
- Refrigerant:** R134a
- Other text:** cubigel compressors, THERMALLY PROTECTED, MADE IN SPAIN.

Approvals



Directive compliance declarations



Flammable gases



Compressor Nomenclature

model

G L Y 6 0 R A a

G L Y 6 0 R A a

Indicates refrigerant. Not appearing in case of ranges for R22

G = R134a **N** = R290
M = R404A/R507 **H** = R600a

Indicates compressor range (overall design).

D = 2.4 - 4cm³ **P** = 12 - 16cm³ **S** = 18 - 34cm³
L = 4.0 - 9.9cm³ **X** = 16 - 23cm³

Indicates energy efficiency level. Not appearing in case of R22 ranges and for standard efficiency.

M = Medium
Y = High Efficiency - Run Capacitor Optional RSIR/RSCR or CSIR/CSR
T = Top Efficiency - Run Capacitor RSCR or CSR

Indicates approximate compressor displacement under the following rule:

D / L ranges 10 times the approx. displacement in cm³/rev (GL80 AF -> approx 8 cm³/rev)
P / X / S ranges The approx. displacement in cm³/rev (MX21TG -> approx 21 cm³/rev)

Indicates the starting torque, application type and compressor cooling:

A = LBP - LST - S	G = LBP - LST - S (RSCR only)	T = HMBP - HST - FAN
B = LBP - LST - OC	L = LBP - HST - Fan (Current Relay)	(CSR versions with Potential Relay)
C = LBP - LST - FAN	M = HMBP - LST/HST - S/FAN	U = AC - LST/HST - FAN
D = LBP - HST - S	N = MBP - LST/HST - S/FAN	Y = VHBP - HST - Fan
E = LBP - HST - OC	P = HMBP - LST - FAN	
F = LBP - HST - FAN	R = HMBP - HST - FAN	
	(CSR versions with Current Relay)	

Indicates the rated voltage:

A = 220-240V 50Hz	G = 200-220V 50Hz/220-230V 60Hz	T = 200-220V 50Hz
B = 220-240V 50Hz (old ranges)	J = 100V 50/60Hz	U = 208-230V 60Hz
C = 100V 50/60Hz (old ranges)	M = 115-127V 60Hz	3 = 3 phase 400-440V 50/60Hz
D = 115V 60Hz	L/N = 200-220V 50Hz or 200-240V 50Hz	
E = 115V 60Hz (old ranges)	220-230V 60Hz (50°C)	
F = 208-230V 60Hz (old ranges)	R = 115-127V 60Hz (old ranges)	

In case of old ranges R22, this character indicates refrigerant and constructive variations.

Indicates a variant of the model that only affects the configuration of electrical components. Its meaning may vary from model to model. It does not appear on the compressor label but it is used for ordering, invoicing and Cubigel internal processes.

Examples:

1. In high-efficiency compressors ("Y" series, i.e.: GPY12LA or MLY80RD), the letters "a" or "b" may indicate the type of electrical connection corresponding to the electrical accessories supplied with the compressor.

a = no use of running capacitor
b = use of running capacitor
c = static cooling and with starting capacitor
d = fan cooling and with starting capacitor

2. In HMBP models of D range, R134a refrigerant (i.e.: GD30MB or GD40MB) it indicates the electrical accessories corresponding to the following situations:

a = static cooling and without starting capacitor
b = fan cooling and without starting capacitor

Voltage

The standards consider the voltage variation of the network to be within +/- 6% of its rated value, nevertheless the Cubigel Compressors® motors' design is able to work within -15% of the lowest rating and +10% of the highest rating.

Compressor Voltage Versions		
Voltage version	Compressor rating	Voltage operative range
A or B	220-240 V 50 Hz	187-264 V 50 Hz
C or J	100 V 50/60 Hz	85-110 V 50/60 Hz
D or E	115 V 60 Hz	98-127 V 60 Hz
G or F L or N	200- 220/220-230 V 50/60 Hz	170-242/187-253 V 50/60 Hz
M or R	200-220 V 50 Hz	187-242 V 50 Hz
T	208-230 V 60 Hz	177-253 V 60 Hz
U	115-127 V 60 Hz	98-140 V 60 Hz
3	400/440 V 50/60 Hz 3ph	340-440/374-484 V 50/60 Hz

Applications

Based on the characteristics of the system for which the compressor is intended, compressors are classified in different groups of application.

Low Back Pressure (LBP) Compressors.

Evaporating temperature range: -35 to -10°C [-31°F to +14°F] (down to -40°C [-40°F] for refrigerant R404A).

Rating condition: -25°C [-13°F] (CECOMAF) or -23.3°C [-10°F] (ASHRAE).

Medium Back Pressure (MBP) Compressors.

Evaporating temperature range: -25°C to 0°C [-10 °F to 32°F]

High Medium Back Pressure (HMBP) Compressors.

Evaporating temperature range: -25 to +10 °C [-13°F to +50°F].

Rating condition: +5°C [+41°F] (CECOMAF) or +7.2°C [+45°F] (ASHRAE).

High Back Pressure (HBP) Compressors.

Evaporating temperature range: -15°C to +10°C [+5°F to +50°F].

Rating condition: +5°C [+41°F] (CECOMAF) or +7.2°C [+45°F] (ASHRAE).

Very High Back Pressure (VHBP) Compressors.

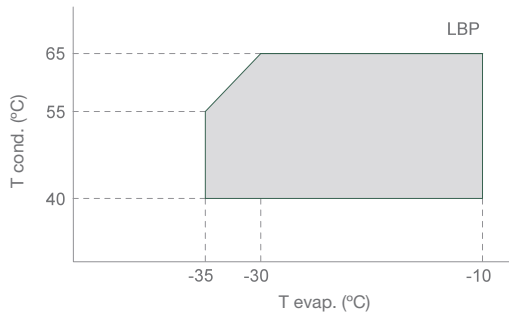
Evaporating temperature range 0°C to +25°C [+32 to +77°F] with condensing temperature up to +75°C [+167°F].

The rating condition is defined by an internal Cubigel Compressors® standard: Te = +10°C [+50°F].

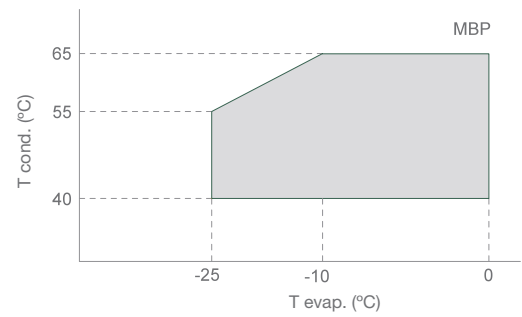
SOA - Safe Operating Area

In order to grant the compressor reliability it is recommended that the point representing the operating conditions (suction and discharge pressures) falls within the shadowed area of the corresponding graph.

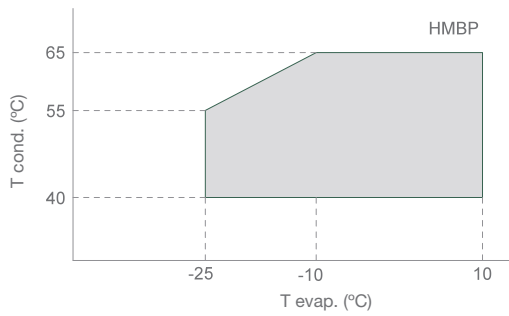
SOA R134a LBP



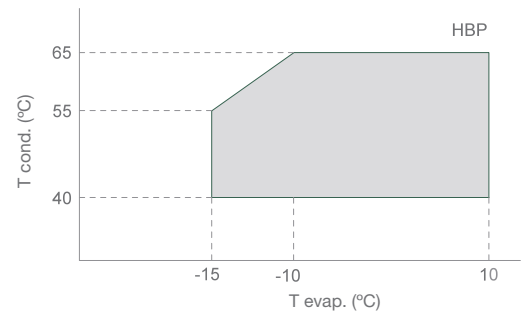
SOA R134a MBP



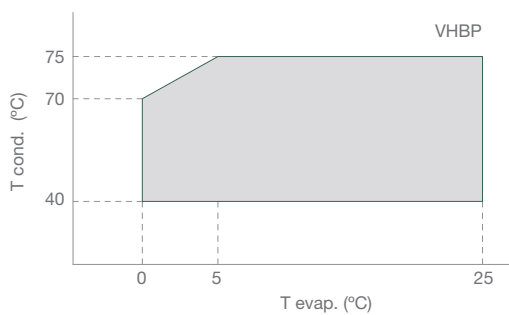
SOA R134a HMBP



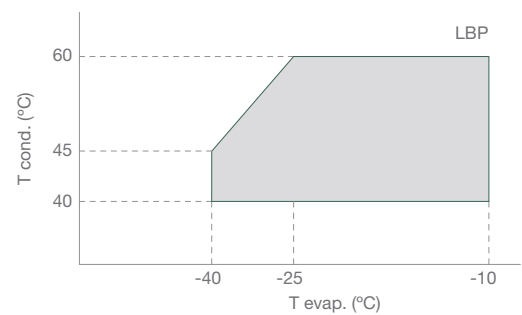
SOA R134a HBP



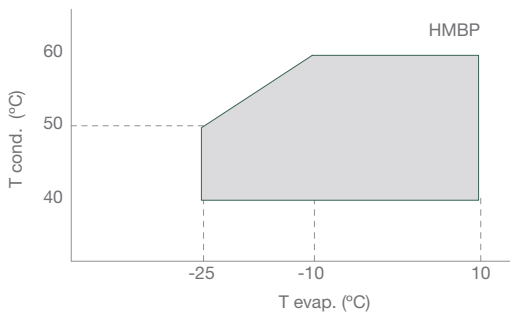
SOA R134a VHBP



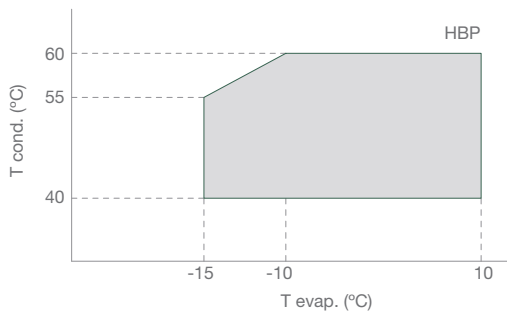
SOA R404A LBP



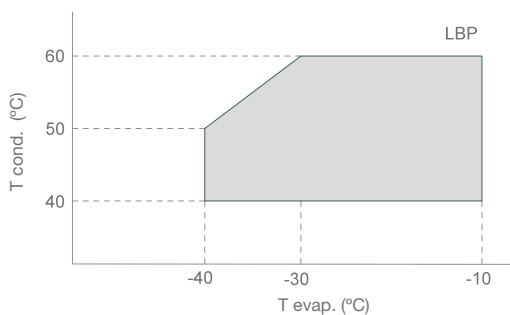
SOA R404A HMBP



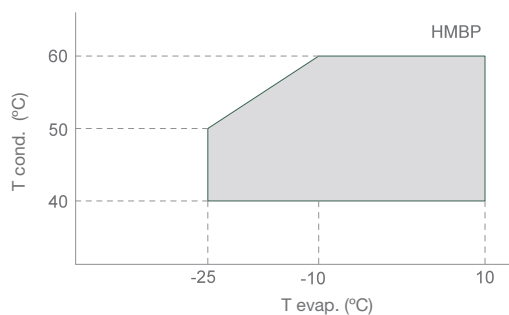
SOA R404A HBP



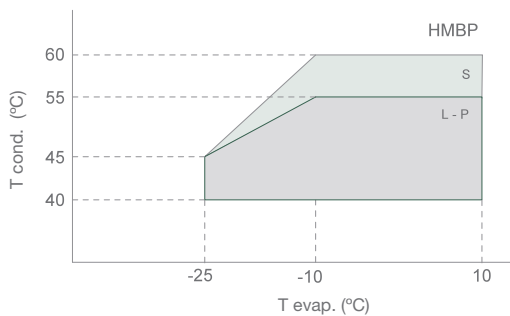
SOA R290 LBP



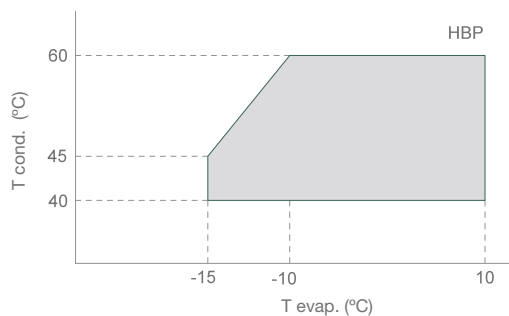
SOA R290 HMBP



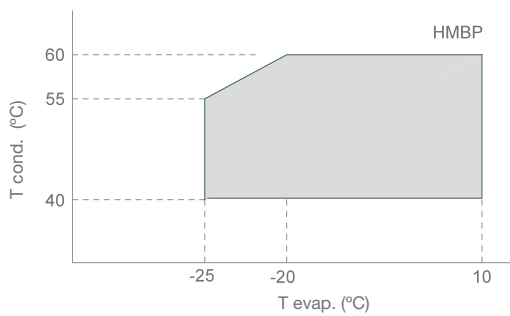
SOA R22 HMBP



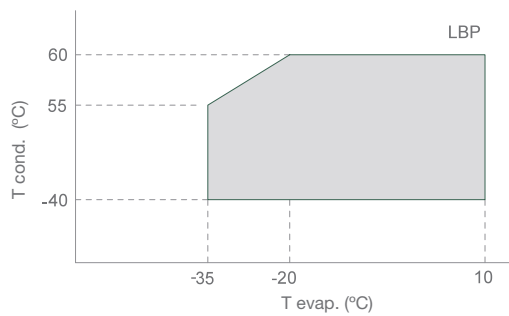
SOA R22 HBP



SOA R600a HMBP



SOA R600a LBP





Types of Electrical Motors

RSIR (Resistance Start-Induction Run)

LST motor. No capacitors. Auxiliary winding is disconnected after start up. Standard energy efficiency.

CSIR (Capacitor Start-Induction Run)

HST motor. With starting capacitor. Auxiliary winding is disconnected after start up. Standard efficiency.

RSCR (Resistance Start-Capacitor Run)

LST motor. With running capacitor. Auxiliary winding remains connected after start up. Used for high efficiency in small capacity compressors (particularly in household refrigeration)

PSC (Phase-Split Capacitor)

LST motor (comparatively the lowest among the different types). With running capacitor. Auxiliary winding remains connected after start up. Mostly used in air conditioning requiring powerful, inexpensive motor.

CSR (Capacitor Start and Run)

HST motor. Two capacitors (starting and running). Auxiliary winding remains connected after start up. Used for high efficiency in small compressors and for size reduced size motors in compressors with comparatively large displacements.

Single phase motor classification

Capacitor type	HST With starting capacitor		LST Without starting capacitor	
	With Running capacitor	Motor type: CSR	Starting device: Current relay + NTC for L & P ranges Potential relay for P, X & S ranges	Motor type: RSCR
Without Running capacitor	Motor type: CSIR	Starting device: Current Relay	Motor type: RSIR	Starting device: Current Relay or PTC

Type of torque

LST – Low Starting Torque – Systems with capillary tube or balanced pressures at start up.

HST – High Starting Torque – Systems with expansion valve or capillary tube, with unbalanced pressures at start up.

Type of starting device

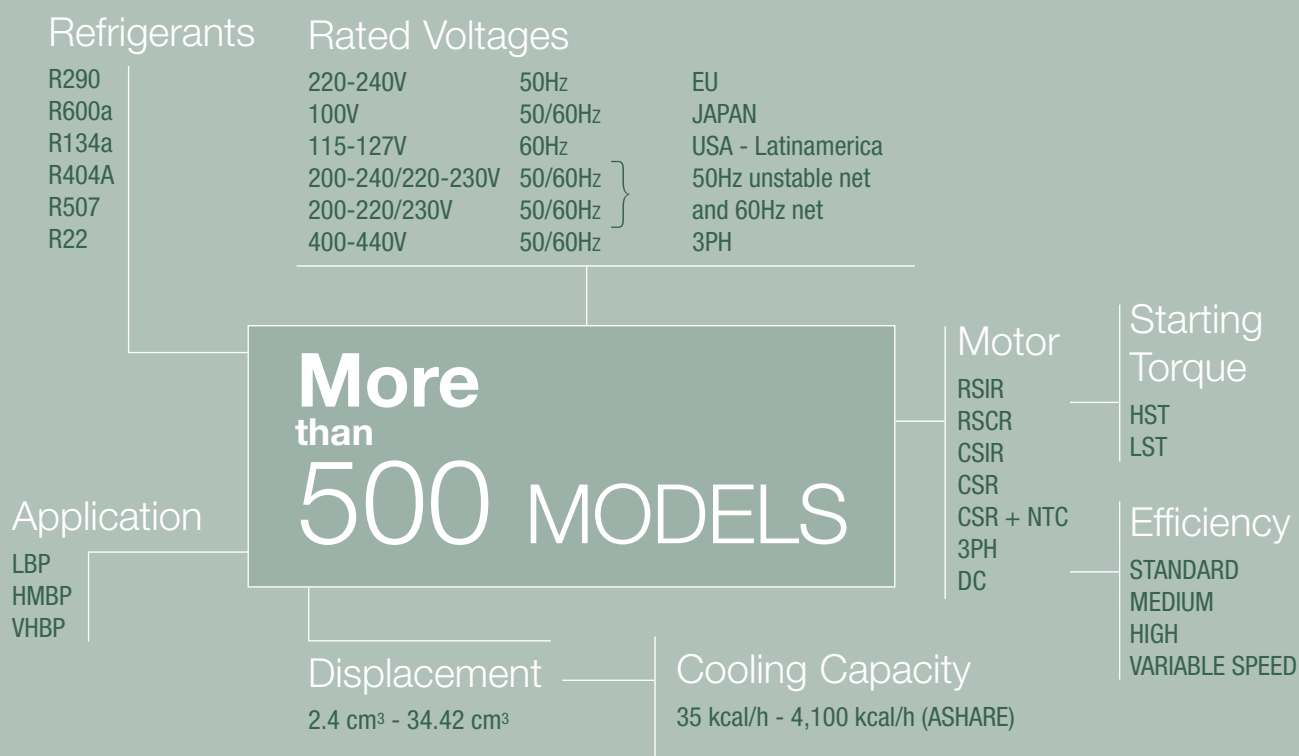
Current relay – RSIR engines, CSIR and CSR small (those with an NTC resistor in series with the starting capacitor to limit the current peak load).

Potential relay – (electromechanical). CSR high-power motors.

PTC – (Positive Temperature Coefficient), the resistance increases with the temperature. Device only with RSIR or RSCR motors in the D, L and P ranges.

NTC – (Negative Temperature Coefficient), the resistance decreases with the temperature. Used in some CSR in order to reduce dimensions and components.

Compressors Product Summary



Condensing Units

Features, Benefits and Customized versions

Cubigel Compressors offers a complete range of Condensing Units either standard or customized version, along with a wide variety of components to assemble customized condensing units.

Features and Benefits

- Complete range from 2.4 to 34 cc
- High reliability & top-quality components
- High Efficiency version available
- Specific customized range
- Designed to work under 43°C
- Suitable for all refrigerants & applications

Main specific components

- Special power supply cable
- Special assembly supports (base plates)
- Dryer filters included (ceramic, molecular)
- Special pressure switches
- Non-assembled components
- Thermostat cables
- Special copper tubes (T connections)
- Sight glass
- Schrader valves
- Specific packaging
- Capillary tube
- Drain tray

Main specific services

- Units UL approved on request
- Certified laboratory facilities at customer disposal
- Quick prototype building
- Quick quotation system

Condensing Units



Condensing Unit Versions

Version "1"

Basic equipment to be directly connected by soldering to the tubes of the condenser. Applicable to systems with a capillary expansion device.

Version "2"

Equipped with service valves in order to facilitate the connection and installation.

Version "3"

Equipped with service valves and liquid receiver. Applicable to systems with expansion valve.

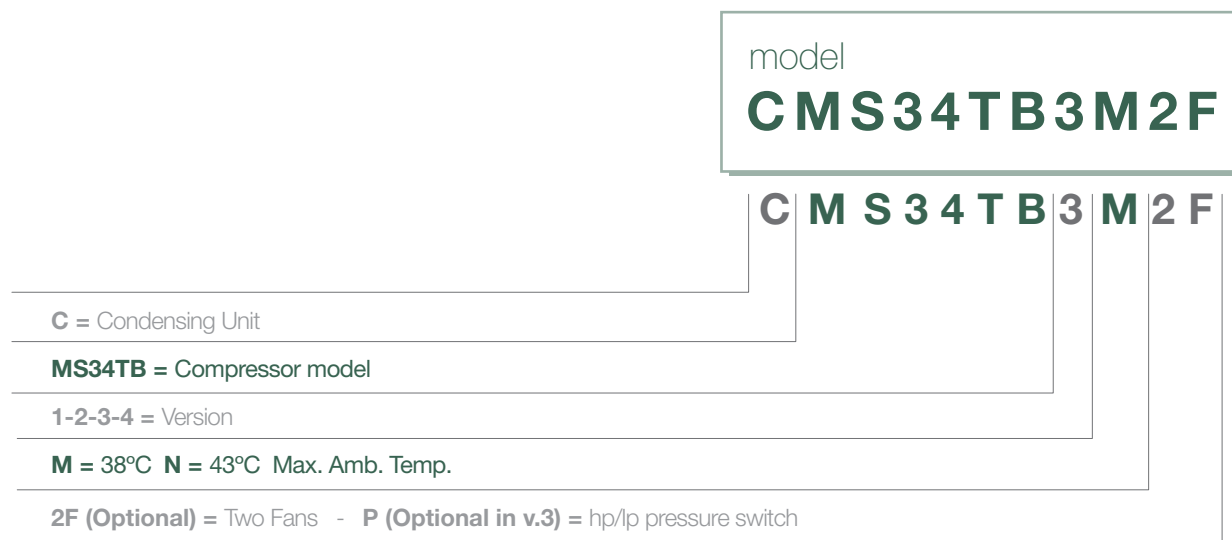
Version "3P"

Version "3" additionally equipped with a hp/lp pressure switch.

Version "4"

Version "1" additionally equipped with a Schrader valve on the refrigerant charging.

Condensing Units Designation



Condensing Units Summary

Refrigerants

R290
R600a
R134a
R404A
R507
R22

Rated Voltages

220-240V	50Hz	EU
100V	50/60Hz	JAPAN
115-127V	60Hz	USA - Latinamerica
200-240/220-230V	50/60Hz	50Hz unstable net and 60Hz net
200-220/230V	50/60Hz	3PH
400-440V	50/60Hz	

More than 500
STANDARD MODELS

Standard Versions

- 1
- 2
- 3
- 3P
- 4

Application

LBP
HMBP
VHBP

Displacement

2.4 cm³ - 34.42 cm³

Cooling Capacity

35 kcal/h - 4,100 kcal/h (ASHARE)

How to read this Catalogue

Compressors

MODEL	DISPLACEMENT cm ³	POWER hp	APPLICATION	CPR COOLING	VOLTAGE FREQUENCY	MOTOR	STARTING	EXPANSION	REFRIGERATION CAPACITY						WEIGHT Kg	DESIGN	
									COP in W/W 1 W = 0,864 kcal/h = 3,415 BTU/h Evaporating Temperature °C								
									Cecomaf (W)			Ashrae					
									-25	-15	5	10	7.2	7.2			
		W	COP	10	kcal/h	COP											
ML40TB	4.05	1/6	HMBP	F	220-240V 50Hz ~1	CSIR	R	C-V	133	214	473	1.43	558	510	1.74	10.0	Lc
ML40TG	4.05	1/6	HMBP	F	200-240/220-230V 50/60Hz ~1	CSIR	R	C-V	133	214	473	1.43	558	510	1.74	10.0	Lc
ML45TB	4.50	1/5	HMBP	F	220-240V 50Hz ~1	CSIR	R	C-V	151	238	528	1.49	624	570	1.82	10.1	Lc
ML45TG	4.50	1/5	HMBP	F	200-240/220-230V 50/60Hz ~1	CSIR	R	C-V	151	238	528	1.49	624	570	1.82	10.0	Lc
MLY60RAa	5.98	1/4	HMBP	F	220-240V 50Hz ~1	CSIR	R	C-V	212	346	766	1.77	902	825	2.15	10.5	Lc
MLY60Rab	5.98	1/4	HMBP	F	220-240V 50Hz ~1	CSR	R	C-V	212	346	766	1.93	902	825	2.36	10.5	Lc
ML60TB	5.68	1/4	HMBP	F	220-240V 50Hz ~1	CSIR	R	C-V	166	277	647	1.53	769	700	1.85	10.1	Lc
ML60TG	5.68	1/4	HMBP	F	200-220/230V 50/60Hz ~1	CSIR	R	C-V	166	277	647	1.53	769	700	1.85	10.0	Lc
MLY80RAa	8.10	3/8	HMBP	F	220-240V 50Hz ~1	CSIR	R	C-V	282	463	1055	1.86	1250	1140	2.27	10.2	Ld
MLY80Rab	8.10	3/8	HMBP	F	220-240V 50Hz ~1	CSR	R	C-V	282	463	1055	2.02	1250	1140	2.46	10.2	Ld
ML80TB	7.57	3/8	HMBP	F	220-240V 50Hz ~1	CSIR	R	C-V	227	385	880	1.63	1040	950	1.99	11.4	Ld
ML80TG	7.57	3/8	HMBP	F	200-240/220-230V 50/60Hz ~1	CSIR	R	C-V	227	385	880	1.63	1040	950	1.99	11.2	Ld
MLY90RAa	9.09	3/8	HMBP	F	220-240V 50Hz ~1	CSIR	R	C-V	317	512	1132	1.75	1334	1220	2.13	11.3	Ld
MLY90Rab	9.09	3/8	HMBP	F	220-240V 50Hz ~1	CSR	R	C-V	317	511	1136	1.92	1340	1225	2.34	11.3	Ld
ML90TB	8.86	3/8	HMBP	F	220-240V 50Hz ~1	CSIR	R	C-V	282	463	1055	1.63	1250	1140	1.98	11.6	Ld
ML90TG	8.86	3/8	HMBP	F	200-220/230V 50/60Hz ~1	CSIR	R	C-V	282	463	1055	1.63	1250	1140	1.98	12.7	Ld
MP12RB	12.05	1/2	HMBP	F	220-240V 50Hz ~1	CSR	R	C-V	373	634	1463	1.89	1732	1580	2.30	13.5	Pd
MP12TG	12.05	1/2	HMBP	F	200-220/220-230V 50/60Hz ~1	CSR	R	C-V	373	634	1463	1.85	1732	1580	2.25	13.5	Pd
MPT12RA (**)	12.10	3/8	HMBP	F	220-240V 50Hz ~1	CSR	R	C-V	398	676	1560	1.93	1845	1685	2.35	12.6	Pd
MP14RB	14.17	1/2	HMBP	F	220-240V 50Hz ~1	CSR	R	C-V	463	765	1674	1.76	1963	1800	2.14	13.5	Pd
MPT14RA (**)	14.32	1/2	HMBP	F	220-240V 50Hz ~1	CSR	R	C-V	478	784	1760	1.81	2078	1900	2.20	13.5	Pd
MX16TB	16.03	3/4	HMBP	F	220-240V 50Hz ~1	CSR	R	C-V	484	818	1880	1.76	2225	2030	2.15	16.2	Xc
MX18TB	18.40	7/8	HMBP	F	220-240V 50Hz ~1	CSR	R	C-V	554	937	2157	1.78	2554	2330	2.18	16.0	Xd
MX18TG	18.40	7/8	HMBP	F	200-220/220-230V 50/60Hz ~1	CSR	R	C-V	554	937	2157	1.78	2554	2330	2.18	17.0	Xd
MX21TB	20.72	1	HMBP	F	220-240V 50Hz ~1	CSR	R	C-V	625	1052	2425	1.77	2873	2620	2.15	17.4	Xd
MX21TG	20.72	1	HMBP	F	200-220/230V 50/60Hz ~1	CSR	R	C-V	625	1052	2425	1.77	2873	2620	2.15	17.6	Xd
MS18T3	18.10	7/8	HMBP	F	400/440V 50/60Hz ~3	3PHASE	R	C-V	423	838	2137	1.92	2557	2320	2.35	20.0	Sc
MS22TB	21.75	1	HMBP	F	220-240V 50Hz ~1	CSR	R	C-V	453	972	2566	2.04	3077	2789	2.50	20.5	Sc
MS22T3	21.75	1	HMBP	F	400/440V 50/60Hz ~3	3PHASE	R	C-V	453	975	2576	2.01	3090	2800	2.45	20.0	Sc
MS26TB	25.93	1 3/8	HMBP	F	220-240V 50Hz ~1	CSR	R	C-V	675	1295	3185	2.02	3789	3449	2.46	23.0	Sd
MS26TG	25.93	1 3/8	HMBP	F	200-220/230V 50/60Hz ~1	CSR	R	C-V	675	1295	3186	2.02	3791	3451	2.46	23.0	Sd
MS26T3	25.93	1 3/8	HMBP	F	400/440V 50/60Hz ~3	3PHASE	R	C-V	675	1295	3186	2.01	3791	3451	2.45	18.6	Sd
MS34TB	34.42	1 5/8	HBP	F	220-240V 50Hz ~1	CSR	R	C-V	1012	1860	4231	1.92	4959	4551	2.30	22.7	Sd
MS34T3	34.42	1 5/8	HMBP	F	400/440V 50/60Hz ~3	3PHASE	R	C-V	1007	1860	4231	1.82	4958	4551	2.20	22.8	Sd
MS34TG	34.42	1 5/8	HMBP	F	200-220/230V 50/60Hz ~1	CSR	R	C-V	1012	1860	4231	1.92	4959	4551	2.30	22.7	Sd

Condensing Units

MODEL	DISPLACEMENT cm ³	POWER hp	MAX. AMBIENCE TEMP. T = TROPICALIZED	APPLICATION	VOLTAGE FREQUENCY	MOTOR	EXPANSION	REFRIGERATION CAPACITY W 1 W = 0,864 kcal/h = 3,412 BTU/h EVAPORATING TEMPERATURE °C										VERSION "3"					
								ASHRAE										10	DIMENSIONS W x L x H mm	TUBES			DESIGN
								-25	-15	-5	5	W	W inp	A	Succion	Compresion	Weight						
																				7,2	Inch	Inch	
CGD30MB_N	3,08	1/10	43	T	HMBP	220-240V 50Hz ~1	CSIR	C-V	71	119	191	285	309	168	1.02	341	255x300x200	1/4	1/4	8,7	4A		
CGD36MB_N	3,62	1/10	43	T	HMBP	220-240V 50Hz ~1	CSIR	C-V	91	147	230	341	369	196	1.0	407	255x300x200	1/4	1/4	8,8	4A		
CGD40MB_N	4,06	1/8	43	T	HMBP	220-240V 50Hz ~1	CSIR	C-V	97	156	243	357	385	215	1.0	423	255x300x200	1/4	1/4	9,6	4A		
CGL45PB_N	4,50	1/6	43	T	HMBP	220-240V 50Hz ~1	RSIR	C	108	183	286	416	448	238	1.0	491	320x425x220	3/8	1/4	14,5	3B		
CGL45TB_N	4,50	1/6	43	T	HMBP	220-240V 50Hz ~1	CSIR	C-V	108	183	286	416	448	238	1.0	491	320x425x220	3/8	1/4	14,5	3B		
CGL45TG_N	4,50	1/6	43	T	HMBP	200-240/220-230V 50/60Hz ~1	CSIR	C-V	109	180	279	407	439	219	1.0	482	320x425x220	3/8	1/4	14,5	3B		
CGLY45RAa_N	4,56	1/6	43	T	HMBP	220-240V 50Hz ~1	CSIR	C-V	140	208	312	452	490	235	1.0	535	320x425x235	3/8	1/4	16	3B		
CGLY45Rab_N	4,56	1/6	43	T	HMBP	220-240V 50Hz ~1	CSR	C-V	140	208	312	452	490	211	0.99	535	320x425x235	3/8	1/4	16	3B		
CGL60PB_N	5,68	1/5	43	T	HMBP	220-240V 50Hz ~1	RSIR	C	130	232	361	520	558	271	1.0	609	320x425x235	3/8	1/4	17	3B		
CGL60TB_N	5,68	1/5	43	T	HMBP	220-240V 50Hz ~1	CSIR	C-V	130	232	361	520	558	271	1.0	609	320x425x235	3/8	1/4	17	3B		
CGL60TG_N	5,68	1/5	43	T	HMBP	200-240/220-230V 50/60Hz ~1	CSIR	C-V	136	227	366	551	599	271	1.0	662	320x425x235	3/8	1/4	17	3B		
CGLY60RAa_N	5,98	1/5	43	T	HMBP	220-240V 50Hz ~1	CSIR	C-V	137	251	396	573	616	264	1.0	673	340x425x235	3/8	1/4	17	3B		
CGLY60Rab_N	5,98	1/5	43	T	HMBP	220-240V 50Hz ~1	CSR	C-V	137	251	396	573	616	242	0.99	673	340x425x235	3/8	1/4	17	3A		
CGL80PB_N	7,57	1/5	43	T	HMBP	220-240V 50Hz ~1	RSIR	C	166	285	441	636	684	343	2.02	747	340x425x235	3/8	1/4	17	3B		
CGL80TB_N	7,57	1/5	43	T	HMBP	220-240V 50Hz ~1	CSIR	C-V	166	285	441	636	684	343	2.02	747	340x425x235	3/8	1/4	17	3B		
CGL80TG_N	7,57	1/5	43	T	HMBP	200-220/220-230V 50/60Hz ~1	CSIR	C-V	178	300	473	699	755	333	2.02	831	340x425x235	3/8	1/4	17	3B		
CGLY80RAa_N	8,10	1/5	43	T	HMBP	220-240V 50Hz ~1	CSIR	C-V	219	351	543	795	858	349	2.02	943	340x425x235	3/8	1/4	18,5	3B		
CGLY80Rab_N	8,10	1/5	43	T	HMBP	220-240V 50Hz ~1	CSR	C-V	219	351	543	795	858	324	1.0	943	320x425x235	3/8	1/4	18,5	3A		
CGL90PB_N	8,85	1/4	43	T	HMBP	220-240V 50Hz ~1	RSIR	C	203	341	533	780	842	386	2.02	924	340x425x235	3/8	1/4	18,5	3B		
CGL90TB_N	8,85	1/4	43	T	HMBP	220-240V 50Hz ~1	CSIR	C-V	203	341	533	780	842	386	2.02	924	340x425x235	3/8	1/4	18,5	3B		
CGL90TG_N	8,85	1/4	43	T	HMBP	200-220/220-230V 50/60Hz ~1	CSIR	C-V	193	335	529	775	836	382	1.99	917	340x425x235	3/8	1/4	18,5	3B		
CGLY90RAa_N	9,09	1/4	43	T	HMBP	220-240V 50Hz ~1	CSIR	C-V	215	360	564	827	893	437	2.0	981	350x425x270	3/8	1/4	19,5	3B		
CGLY90Rab_N	9,09	1/4	43	T	HMBP	220-240V 50Hz ~1	CSR	C-V	215	360	564	827	893	397	2.02	981	350x425x270	3/8	1/4	19,5	3A		
CGP12PB_N	12,05	3/8	43	T	HMBP	220-240V 50Hz ~1	RSIR	C	251	448	704	1019	1097	604	3.02	1199	350x425x270	3/8	1/4	20	3B		
CGP12TB_N	12,05	3/8	43	T	HMBP	220-240V 50Hz ~1	CSIR	C-V	251	448	704	1019	1097	604	3.02	1199	350x425x270	3/8	1/4	20	3B		
CGP12TG_N	12,05	3/8	43	T	HMBP	200-220/220-230V 50/60Hz ~1	CSIR	C-V	251	412	671	1030	1123	539	2.99	1247	350x425x270	3/8	1/4	20	3B		
CGPY12RAa_N	12,10	3/8	43	T	HMBP	220-240V 50Hz ~1	CSIR	C-V	314	504	768	1104	1188	571	3.02	1300	350x425x270	3/8	3/8	21,5	3B		
CGPY12Rab_N	12,10	3/8	43	T	HMBP	220-240V 50Hz ~1	CSR	C-V	314	504	768	1104	1188	523	1.99	1300	350x425x270	3/8	3/8	21,5	3A		
CGP14PB_N	14,17	3/8	43	T	HMBP	220-240V 50Hz ~1	RSIR	C	292	498	778	1130	1217	668	4.01	1334	350x425x270	3/8	1/4	21,5	3B		
CGP14TB_N	14,17	3/8	43	T	HMBP	220-240V 50Hz ~1	CSIR	C-V	292	498	778	1130	1217	668	4.01	1334	350x425x270	3/8	1/4	21,5	3B		
CGP14TG_M	14,17	3/8	38	-	HMBP	200-220/220-230V 50/60Hz ~1	CSIR	C-V	327	534	820	1184	1275	630	2.99	1395	350x425x270	3/8	1/4	21,5	3B		
CGPY14RAa_N	14,32	3/8	43	T	HMBP	220-240V 50Hz ~1	CSIR	C-V	442	618	867	1190	1270	623	2.99	1378	365x510x300	3/8	3/8	23,5	2D		
CGPY14Rab_N	14,32	3/8	43	T	HMBP	220-240V 50Hz ~1	CSR	C-V	442	618	867	1190	1270	579	3.02	1378	365x510x300	3/8	3/8	23,5	2E		
CGPY16RAa_N	16,15	3/8	43	T	HMBP	220-240V 50Hz ~1	CSIR	C-V	390	644	964	1350	1444	659	2.99	1568	365x510x300	3/8	3/8	23,5	2D		
CGPY16Rab_N	16,15	3/8	43	T	HMBP	220-240V 50Hz ~1	CSR	C-V	390	644	964	1350	1444	659	2.99	1568	365x510x300	3/8	3/8	23,5	2D		
CGX18TB_N	18,40	1/2	43	T	HMBP	220-240V 50Hz ~1	CSIR	C-V	383	674	1050	1510	1622	832	5.01	1771	365x510x300	3/8	3/8	28,5	2C		
CGX18TG_N	18,40	1/2	43	T	HMBP	200-220/220-230V 50/60Hz ~1	CSIR	C-V	398	699	1079	1538	1650	758	5.01	1797	365x510x300	3/8	3/8	28,5	2C		



2.

Compressors
Catalogue

R134a

R134a (*) LBP • 50 Hz



MODEL	DISPLACEMENT cm ³	POWER hp	APPLICATION	CPR COOLING	VOLTAGE FREQUENCY	MOTOR	STARTING	EXPANSION	REFRIGERATION CAPACITY							WEIGHT Kg	DESIGN
									COP in W/W 1 W = 0,864 kcal/h = 3,415 BTU/h Evaporating Temperature °C								
									Cecomaf (W)				Ashrae				
									-35	-30	-25		-10	-23.3			
W	COP	kcal/h	COP														
GD24AA	2.44	1/20	LBP	S	220-240V 50Hz ~1	RSIR	P	C	12	22	34	0.51	85	41	0.68	5.3	Db
GD30AA	3.08	1/12	LBP	S	220-240V 50Hz ~1	RSIR	P	C	23	36	52	0.74	117	62	0.96	5.6	Dc
GD30AG	3.08	1/12	LBP	S	200-220/220-230V 50/60Hz ~1	RSIR	P	C	21	34	49	0.6	111	58	0.79	5.9	Dc
GD36AA	3.62	1/12	LBP	S	220-240V 50Hz ~1	RSIR	P	C	28	43	61	0.76	136	72	0.99	5.7	Dc
GD36AFa	3.62	1/12	LBP	S	200-220/230V 50/60Hz ~1	RSIR	P	C	26	40	58	0.63	128	68	0.83	5.9	Dc
GD36AFb	3.62	1/12	LBP	S	200-220/230V 50/60Hz ~1	CSIR	R	C-V	26	40	58	0.63	128	68	0.83	5.9	Dc
GD40AA	4.06	1/10	LBP	S	220-240V 50Hz ~1	RSIR	P	C	34	50	70	0.77	155	82	1.00	6.1	Dd
GD40AF	4.06	1/10	LBP	S	200-220/220-230V 50/60Hz ~1	RSIR	P	C	31	47	66	0.67	147	78	0.88	6.8	Dd
GLY45AAa	4.56	1/8	LBP	S	220-240V 50Hz ~1	RSIR	P	C	47	65	89	1.01	192	104	1.30	8.7	Lb
GLY45AAb	4.56	1/8	LBP	S	220-240V 50Hz ~1	RSCR	P	C	48	66	90	1.05	193	105	1.36	8.7	Lb
GL45AAa	4.56	1/8	LBP	S	220-240V 50Hz ~1	RSIR	P	C	37	57	81	0.81	184	96	1.06	7.9	Lb
GL45AAb	4.56	1/8	LBP	S	220-240V 50Hz ~1	CSIR	R	C-V	37	57	81	0.81	184	96	1.06	7.9	Lb
GL45ANa	4.56	1/8	LBP	S	200-240/220-230V 50/60Hz ~1	RSIR	P	C	36	56	80	0.78	184	95	1.03	8.4	Lb
GLY60AAa	5.98	1/6	LBP	S	220-240V 50Hz ~1	RSIR	P	C	58	85	119	1.03	255	139	1.34	8.7	Lb
GLY60AAb	5.98	1/6	LBP	S	220-240V 50Hz ~1	RSCR	P	C	58	86	120	1.10	256	140	1.42	8.7	Lb
GL60AAa	5.98	1/6	LBP	S	220-240V 50Hz ~1	RSIR	P	C	50	75	107	0.85	239	126	1.10	8.4	Lb
GL60AAb	5.98	1/6	LBP	S	220-240V 50Hz ~1	CSIR	R	C-V	50	75	107	0.85	239	126	1.10	8.4	Lb
GL60ANa	5.98	1/6	LBP	S	200-240/220-230V 50/60Hz ~1	RSIR	P	C	57	82	114	0.83	244	133	1.09	9.1	Lc
GL60ANb	5.98	1/6	LBP	F	200-240/220-230V 50/60Hz ~1	CSIR	R	C-V	57	82	114	0.83	244	133	1.09	9.1	Lc
GL60ANc	5.98	1/6	LBP	S	200-240/220-230V 50/60Hz ~1	CSIR	R	C-V	57	82	114	0.83	244	133	1.09	9.1	Lc
GLY80AAa	8.10	1/5	LBP	S	220-240V 50Hz ~1	RSIR	P	C	92	123	164	1.07	349	191	1.37	10.0	Lc
GLY80AAb	8.10	1/5	LBP	S	220-240V 50Hz ~1	RSCR	P	C	93	124	165	1.13	351	192	1.45	10.0	Lc
GL80AAa	8.10	1/5	LBP	S	220-240V 50Hz ~1	RSIR	P	C	68	102	144	0.89	326	170	1.15	9.0	Lc
GL80AAb	8.10	1/5	LBP	S	220-240V 50Hz ~1	CSIR	R	C-V	68	102	144	0.89	326	170	1.15	9.0	Lc
GL80ANa	8.10	1/5	LBP	S	200-220/220-230V 50/60Hz ~1	RSIR	P	C	75	107	148	0.83	331	174	1.09	9.8	Ld
GL80ANb	8.10	1/5	LBP	F	200-220/220-230V 50/60Hz ~1	CSIR	R	C-V	75	107	148	0.83	331	174	1.09	9.8	Ld
GL80ANc	8.10	1/5	LBP	S	200-220/220-230V 50/60Hz ~1	CSIR	R	C-V	75	107	148	0.83	331	174	1.09	9.8	Ld
GLY90AAa	9.09	1/4	LBP	S	220-240V 50Hz ~1	RSIR	P	C	104	140	186	1.07	387	216	1.37	10.5	Ld
GLY90AAb	9.09	1/4	LBP	S	220-240V 50Hz ~1	RSCR	P	C	103	140	187	1.13	388	217	1.45	10.5	Ld
GL90AAa	9.09	1/4	LBP	S	220-240V 50Hz ~1	RSIR	P	C	82	119	165	0.90	351	193	1.15	9.4	Lc
GL90AAb	9.09	1/4	LBP	S	220-240V 50Hz ~1	CSIR	R	C-V	82	119	165	0.90	351	193	1.15	9.4	Lc
GL90ANa	9.09	1/4	LBP	S	200-220/220-230V 50/60Hz ~1	RSIR	P	C	85	118	163	0.84	366	191	1.10	10.4	Ld
GL90ANb	9.09	1/4	LBP	F	200-220/220-230V 50/60Hz ~1	CSIR	R	C-V	85	118	163	0.84	366	191	1.10	10.4	Ld
GL90ANc	9.09	1/4	LBP	S	200-220/220-230V 50/60Hz ~1	CSIR	R	C-V	85	118	163	0.84	366	191	1.10	10.4	Ld
GL99AAa	9.95	1/4	LBP	S	220-240V 50Hz ~1	RSIR	P	C	83	125	175	0.92	377	205	1.19	9.6	Ld
GL99AAb	9.95	1/4	LBP	S	220-240V 50Hz ~1	CSIR	R	C-V	83	125	175	0.92	377	205	1.19	9.6	Ld
GPY12AAa	12.10	3/8	LBP	S	220-240V 50Hz ~1	RSIR	P	C	128	178	241	0.96	500	280	1.23	11.5	Pd
GPY12AAb	12.10	3/8	LBP	S	220-240V 50Hz ~1	RSCR	P	C	128	178	241	1.04	500	280	1.33	11.5	Pd
GPY12LAa	12.10	3/8	LBP	F	220-240V 50Hz ~1	CSIR	R	C-V	113	162	225	1.00	509	265	1.30	12.1	Pd
GPY12LAb	12.10	3/8	LBP	F	220-240V 50Hz ~1	CSR	R	C-V	113	162	225	1.06	509	265	1.38	12.1	Pd
GP12AB	12.05	1/3	LBP	S	220-240V 50Hz ~1	RSIR	R	C	83	132	190	0.88	424	225	1.14	11.5	Pc
GP12CB	12.05	1/3	LBP	F	220-240V 50Hz ~1	RSIR	R	C	83	132	190	0.88	424	225	1.14	11.5	Pc
GP12FB	12.05	1/3	LBP	F	220-240V 50Hz ~1	CSIR	R	C-V	83	132	190	0.88	424	225	1.14	11.5	Pc
GPM12CA	12.10	3/8	LBP	F	220-240V 50Hz ~1	RSIR	R	C	128	178	241	0.94	500	280	1.21	11.3	Pc

(**) Model under development. Provisional performances/data. See design drawing on page xx

This table continues in the following page

Green Cooling Models (*) Or HF01234yf • R134a: W (A) x 1.05 = kcal/h (B) • R134a: W (C) x 0.94 = kcal/h (D) • W x 0.86 = kcal/h

New Models


MODEL	DISPLACEMENT cm ³	POWER hp	APPLICATION	CPR COOLING	VOLTAGE FREQUENCY	MOTOR	STARTING	EXPANSION	REFRIGERATION CAPACITY								WEIGHT Kg	DESIGN
									COP in W/W 1 W = 0,864 kcal/h = 3,415 BTU/h Evaporating Temperature °C									
									Cecomaf (W)				Ashrae					
									-25		-10		-23.3					
-35	-30	W	COP	-10	kcal/h	COP												
GP14CB	14.17	3/8	LBP	F	220-240V 50Hz ~1	RSIR	R	C	99	158	228	0.90	509	270	1.16	11.5	Pc	
GP14CG	14.17	3/8	LBP	F	200-220/220-230V 50/60Hz ~1	RSIR	R	C	99	158	228	0.83	509	270	1.08	11.5	Pc	
GP14FB	14.17	3/8	LBP	F	220-240V 50Hz ~1	CSIR	R	C-V	99	158	228	0.90	509	270	1.16	11.5	Pc	
GP14FC	14.17	3/8	LBP	F	100V 50/60Hz ~1	CSIR	R	C-V	99	158	228	0.73	509	270	0.95	12.9	Pd	
 GPY16LAa	16.15	3/8	LBP	F	220-240V 50Hz ~1	CSIR	R	C-V	168	234	319	1.01	690	374	1.31	12.6	Pd	
 GPY16LAb	16.15	3/8	LBP	F	220-240V 50Hz ~1	CSR	R	C-V	168	234	319	1.07	690	374	1.41	12.6	Pd	
GP16CB	16.15	3/8	LBP	F	220-240V 50Hz ~1	RSIR	R	C	109	182	266	0.89	585	315	1.14	12.0	Pd	
GP16FB	16.15	3/8	LBP	F	220-240V 50Hz ~1	CSIR	R	C-V	109	182	266	0.89	585	315	1.14	12.0	Pd	
GP16FC	16.15	3/8	LBP	F	100V 50/60Hz ~1	CSIR	R	C-V	109	182	266	0.78	585	315	1.02	12.9	Pd	
GX21FB	20.72	2/3	LBP	F	220-240V 50Hz ~1	CSIR	R	C-V	151	243	351	0.93	778	415	1.20	15.5	Xc	

R134a (*) LBP • 60 Hz

MODEL	DISPLACEMENT cm ³	POWER hp	APPLICATION	CPR COOLING	VOLTAGE FREQUENCY	MOTOR	STARTING	EXPANSION	REFRIGERATION CAPACITY								WEIGHT Kg	DESIGN
									COP in W/W 1 W = 0,864 kcal/h = 3,415 BTU/h Evaporating Temperature °C									
									Cecomaf (W)				Ashrae					
									-25		-10		-23.3					
-35	-30	W	COP	-10	kcal/h	COP												
GD24ADa	2.44	1/20	LBP	S	115V 60Hz ~1	RSIR	P	C	14	26	40	0.52	100	48	0.70	5.1	Db	
GD24ADb	2.44	1/20	LBP	S	115V 60Hz ~1	CSIR	R	C-V	14	26	40	0.52	100	48	0.70	5.1	Db	
GD30AG	3.08	1/12	LBP	S	200-220/220-230V 50/60Hz ~1	RSIR	P	C	25	39	57	0.67	130	68	0.88	5.9	Dc	
GD36AD	3.62	1/12	LBP	S	115V 60Hz ~1	RSIR	P	C	30	47	68	0.65	150	80	0.85	6.7	Dc	
GD36AFa	3.62	1/12	LBP	S	200-220/230V 50/60Hz ~1	RSIR	P	C	30	47	68	0.65	150	80	0.86	5.9	Dc	
GD36AFb	3.62	1/12	LBP	S	200-220/230V 50/60Hz ~1	CSIR	R	C-V	30	47	68	0.65	150	80	0.86	5.9	Dc	
GD40AF	4.06	1/10	LBP	S	200-220/220-230V 50/60Hz ~1	RSIR	P	C	36	54	77	0.70	172	91	0.91	6.8	Dd	
GL45ADa	4.56	1/8	LBP	S	115V 60Hz ~1	RSIR	P	C	41	65	95	0.80	215	112	1.05	8.1	Lb	
GL45ADb	4.56	1/8	LBP	S	115V 60Hz ~1	CSIR	R	C-V	41	65	95	0.80	215	112	1.05	8.1	Lb	
GL45ANa	4.56	1/8	LBP	S	200-240/220-230V 50/60Hz ~1	RSIR	P	C	44	65	93	0.83	213	110	1.09	8.4	Lb	
GL60ADa	5.98	1/6	LBP	S	115V 60Hz ~1	RSIR	P	C	65	95	132	0.85	290	155	1.10	9.1	Lb	
GL60ADb	5.98	1/6	LBP	S	115V 60Hz ~1	CSIR	R	C-V	65	95	132	0.85	290	155	1.10	9.1	Lb	
GL60ANa	5.98	1/6	LBP	S	200-240/220-230V 50/60Hz ~1	RSIR	P	C	68	95	131	0.88	285	153	1.15	9.1	Lc	
GL60ANb	5.98	1/6	LBP	F	200-240/220-230V 50/60Hz ~1	CSIR	R	C-V	68	95	131	0.88	285	153	1.15	9.1	Lc	
GL60ANc	5.98	1/6	LBP	S	200-240/220-230V 50/60Hz ~1	CSIR	R	C-V	68	95	131	0.88	285	153	1.15	9.1	Lc	
GL80ADa	8.10	1/5	LBP	S	115V 60Hz ~1	RSIR	P	C	84	122	171	0.87	384	201	1.13	9.8	Lc	
GL80ADb	8.10	1/5	LBP	S	115V 60Hz ~1	CSIR	R	C-V	84	122	171	0.87	384	201	1.13	9.8	Lc	
GL80ANa	8.10	1/5	LBP	S	200-220/220-230V 50/60Hz ~1	RSIR	P	C	87	124	172	0.92	385	202	1.19	9.8	Ld	
GL80ANb	8.10	1/5	LBP	F	200-220/220-230V 50/60Hz ~1	CSIR	R	C-V	87	124	172	0.92	385	202	1.19	9.8	Ld	
GL80ANc	8.10	1/5	LBP	S	200-220/220-230V 50/60Hz ~1	CSIR	R	C-V	87	124	172	0.92	385	202	1.19	9.8	Ld	
GL90ADa	9.09	1/4	LBP	S	115V 60Hz ~1	RSIR	P	C	97	138	191	0.88	421	224	1.14	10.5	Ld	
GL90ADb	9.09	1/4	LBP	S	115V 60Hz ~1	CSIR	R	C-V	97	138	191	0.88	421	224	1.14	10.5	Ld	
GL90ANa	9.09	1/4	LBP	S	200-220/220-230V 50/60Hz ~1	RSIR	P	C	97	134	185	0.93	421	218	1.20	10.4	Ld	
GL90ANb	9.09	1/4	LBP	F	200-220/220-230V 50/60Hz ~1	CSIR	R	C-V	97	134	185	0.93	421	218	1.20	10.4	Ld	

(**) Model under development. Provisional performances/data. See design drawing on page xx





This table continues in the following page

 Green Cooling Models (**) Or HF01234yf • R134a: W (A) x 1.05 = kcal/h (B) • R134a: W (C) x 0.94 = kcal/h (D) • W x 0.86 = kcal /h

 New Models


MODEL	DISPLACEMENT cm ³	POWER hp	APPLICATION	CPR COOLING	VOLTAGE FREQUENCY	MOTOR	STARTING	EXPANSION	REFRIGERATION CAPACITY							WEIGHT Kg	DESIGN
									COP in W/W 1 W = 0,864 kcal/h = 3,415 BTU/h Evaporating Temperature °C								
									Cecomaf (W)				Ashrae				
									-25		-10		-23.3		-10		
-35	-30	W	COP	10	kcal/h	COP											
GL90ANc	9.09	1/4	LBP	S	200-220/220-230V 50/60Hz ~1	CSIR	R	C-V	97	134	185	0.93	421	218	1.20	10.4	Ld
GL99ADa	9.95	1/4	LBP	S	115V 60Hz ~1	RSIR	P	C	102	148	205	0.89	439	240	1.15	10.8	Ld
GL99ADb	9.95	1/4	LBP	S	115V 60Hz ~1	CSIR	R	C-V	102	148	205	0.89	439	240	1.15	10.8	Ld
GP14FE	14.17	3/8	LBP	F	115V 60Hz ~1	CSIR	R	C-V	116	185	267	0.72	596	316	0.94	12.9	Pd
GP14FC	14.17	3/8	LBP	F	100V 50/60Hz ~1	CSIR	R	C-V	116	185	267	0.83	596	316	1.08	12.9	Pd
GP14CG	14.17	3/8	LBP	F	200-220/220-230V 50/60Hz ~1	RSIR	R	C	113	181	262	0.91	589	310	1.18	11.5	Pc
GP16FE	16.15	3/8	LBP	F	115V 60Hz ~1	CSIR	R	C-V	125	209	306	0.77	672	362	1.00	12.9	Pd
GP16FC	16.15	3/8	LBP	F	100V 50/60Hz ~1	CSIR	R	C-V	125	209	306	0.88	672	362	1.14	12.9	Pd

R134a (*) HMBP | HBP • 50 Hz

MODEL	DISPLACEMENT cm ³	POWER hp	APPLICATION	CPR COOLING	VOLTAGE FREQUENCY	MOTOR	STARTING	EXPANSION	REFRIGERATION CAPACITY							WEIGHT Kg	DESIGN
									COP in W/W 1 W = 0,864 kcal/h = 3,415 BTU/h Evaporating Temperature °C								
									Cecomaf (W)				Ashrae				
									-25		-15		5		10		
-25	-15	W	COP	10	kcal/h	COP											
GD24MBc	2.44	1/14	HBP	S	220-240V 50Hz ~1	CSIR	R	C-V	36	64	174	1.43	212	180	1.67	5.1	Db
GD30MBa	3.08	1/10	HMBP	S	220-240V 50Hz ~1	RSIR	P	C	49	88	233	1.52	282	240	1.74	5.8	Dc
GD30MBb	3.08	1/10	HMBP	F	220-240V 50Hz ~1	RSIR	P	C	49	88	233	1.52	282	240	1.74	5.8	Dc
GD30MBc	3.08	1/10	HMBP	S	220-240V 50Hz ~1	CSIR	R	C-V	49	88	233	1.52	282	240	1.74	5.8	Dc
GD30MBd	3.08	1/10	HMBP	F	220-240V 50Hz ~1	CSIR	R	C-V	49	88	233	1.52	282	240	1.74	5.8	Dc
GD36MBa	3.62	1/10	HMBP	S	220-240V 50Hz ~1	RSIR	P	C	53	96	261	1.52	318	270	1.74	6.7	Dd
GD36MBb	3.62	1/10	HMBP	F	220-240V 50Hz ~1	RSIR	P	C	53	96	261	1.52	318	270	1.74	6.7	Dd
GD36MBc	3.62	1/10	HMBP	S	220-240V 50Hz ~1	CSIR	R	C-V	53	96	261	1.52	318	270	1.74	6.7	Dd
GD36MBd	3.62	1/10	HMBP	F	220-240V 50Hz ~1	CSIR	R	C-V	53	96	261	1.52	318	270	1.74	6.7	Dd
GD40MBa	4.06	1/8	HMBP	S	220-240V 50Hz ~1	RSIR	P	C	64	117	301	1.56	363	310	1.8	6.7	Dd
GD40MBb	4.06	1/8	HMBP	F	220-240V 50Hz ~1	RSIR	P	C	64	117	301	1.56	363	310	1.8	6.7	Dd
GD40MBc	4.06	1/8	HMBP	S	220-240V 50Hz ~1	CSIR	R	C-V	64	117	301	1.56	363	310	1.8	6.7	Dd
GD40MBd	4.06	1/8	HMBP	F	220-240V 50Hz ~1	CSIR	R	C-V	64	117	301	1.56	363	310	1.8	6.7	Dd
 GLY45RAa	4.56	1/6	HMBP	F	220-240V 50Hz ~1	CSIR	R	C-V	73	140	374	1.96	451	385	2.25	8.8	Lb
 GLY45RAb	4.56	1/6	HMBP	F	220-240V 50Hz ~1	CSR	R	C-V	73	140	374	2.13	451	385	2.46	8.8	Lb
GL45PB	4.50	1/6	HMBP	F	220-240V 50Hz ~1	RSIR	R	C	76	134	342	1.62	413	352	1.86	8.4	Lb
GL45TB	4.50	1/6	HMBP	F	220-240V 50Hz ~1	CSIR	R	C-V	76	134	342	1.62	413	352	1.86	8.0	Lb
GL45MG	4.50	1/6	HBP	S	230V 50/60Hz ~1	CSIR	R	C-V	71	133	342	1.69	412	352	1.95	8.8	Lb
GL45TG	4.50	1/6	HMBP	F	200-240/220-230V 50/60Hz ~1	CSIR	R	C-V	76	134	342	1.68	413	352	1.95	8.8	Lb
 GLY60RAa	5.98	1/5	HMBP	F	220-240V 50Hz ~1	CSIR	R	C-V	106	191	486	2.06	586	500	2.36	9.9	Lc
 GLY60RAb	5.98	1/5	HMBP	F	220-240V 50Hz ~1	CSR	R	C-V	106	191	486	2.25	586	500	2.60	9.9	Lc
GL60PB	5.68	1/5	HMBP	F	220-240V 50Hz ~1	RSIR	R	C	95	170	437	1.82	528	450	2.09	9.5	Lc
GL60TB	5.68	1/5	HMBP	F	220-240V 50Hz ~1	CSIR	R	C-V	95	170	437	1.82	528	450	2.09	8.6	Lb
GL60TG	5.68	1/5	HMBP	F	200-240/220-230V 50/60Hz ~1	CSIR	R	C-V	95	170	437	1.82	528	450	2.09	9.9	Lc
GL60MG	5.68	1/5	HBP	S	230V 50/60Hz ~1	CSIR	R	C-V	85	155	429	1.71	526	445	1.99	9.9	Lb
GL60TC	5.68	1/5	HMBP	F	100V 50/60Hz ~1	CSIR	R	C-V	95	170	437	1.73	528	450	2.01	9.8	Lc

This table continues in the following page

(**) Model under development. Provisional performances/data. See design drawing on page xx

 Green Cooling Models (*) Or HF01234yf • R134a: W (A) x 1.05 = kcal/h (B) • R134a: W (C) x 0.94 = kcal/h (D) • W x 0.86 = kcal/h

 New Models

MODEL	DISPLACEMENT cm ³	POWER hp	APPLICATION	CPR COOLING	VOLTAGE FREQUENCY	MOTOR	STARTING	EXPANSION	REFRIGERATION CAPACITY								WEIGHT Kg	DESIGN
									COP in W/W 1 W = 0,864 kcal/h = 3,415 BTU/h Evaporating Temperature °C									
									Cecomaf (W)				Ashrae					
									5		10		7.2					
									-25	-15	W	COP	10	kcal/h	COP			
GLY80RAa	8.10	1/5	HMBP	F	220-240V 50Hz ~1	CSIR	R	C-V	159	275	681	2.17	819	700	2.50	10.4	Lc	
GLY80RAb	8.10	1/5	HMBP	F	220-240V 50Hz ~1	CSR	R	C-V	159	275	681	2.35	819	700	2.71	10.4	Lc	
GL80PB	7.57	1/5	HMBP	F	220-240V 50Hz ~1	RSIR	R	C	111	212	554	1.83	668	570	2.10	9.5	Lc	
GL80TB	7.57	1/5	HMBP	F	220-240V 50Hz ~1	CSIR	R	C-V	111	212	554	1.83	668	570	2.10	9.2	Lc	
GL80TG	7.57	1/5	HMBP	F	200-220/220-230V 50/60Hz ~1	CSIR	R	C-V	111	212	554	1.83	668	570	2.10	10.1	Lc	
GL80MG	7.57	1/5	HBP	S	230V 50/60Hz ~1	CSIR	R	C-V	136	220	579	1.80	709	600	2.11	10.1	Lc	
GL80TC	7.57	1/5	HMBP	F	100V 50/60Hz ~1	CSIR	R	C-V	111	212	554	1.87	668	570	2.21	10.4	Lc	
GLY90RAa	9.09	1/4	HMBP	F	220-240V 50Hz ~1	CSIR	R	C-V	169	298	748	2.06	901	770	2.37	10.5	Lc	
GLY90RAb	9.09	1/4	HMBP	F	220-240V 50Hz ~1	CSR	R	C-V	169	298	748	2.27	901	770	2.61	10.5	Lc	
GL90PB	8.85	1/4	HMBP	F	220-240V 50Hz ~1	RSIR	R	C	143	259	661	1.91	796	680	2.20	10.8	Ld	
GL90TB	8.85	1/4	HMBP	F	220-240V 50Hz ~1	CSIR	R	C-V	143	259	661	1.91	796	680	2.20	9.6	Lc	
GL90TG	8.85	1/4	HMBP	F	200-220/220-230V 50/60Hz ~1	CSIR	R	C-V	143	259	661	1.81	796	680	2.08	10.8	Ld	
GL90MG	8.85	1/4	HBP	S	230V 50/60Hz ~1	CSIR	R	C-V	110	242	665	1.81	803	685	2.10	10.8	Ld	
GL90TC	8.85	1/4	HMBP	F	100V 50/60Hz ~1	CSIR	R	C-V	143	259	661	1.76	796	680	2.08	10.9	Ld	
GLY99RAa (**)	9.95	3/8	HMBP	F	220-240V 50Hz ~1	CSIR	R	C-V	189	328	814	2.01	972	836	2.31	10.8	Ld	
GLY99RAb (**)	9.95	3/8	HMBP	F	220-240V 50Hz ~1	CSR	R	C-V	189	328	814	2.18	972	836	2.49	10.8	Ld	
GL11TB	10.97	3/8	HMBP	F	220-240V 50Hz ~1	CSIR	R	C-V	190	330	817	1.94	985	840	2.23	10.3	Ld	
GPY12RAa	12.10	3/8	HMBP	F	220-240V 50Hz ~1	CSIR	R	C-V	228	401	993	2.05	1192	1020	2.35	12.6	Pd	
GPY12RAb	12.10	3/8	HMBP	F	220-240V 50Hz ~1	CSR	R	C-V	228	401	993	2.24	1192	1020	2.58	12.6	Pd	
GP12PB	12.05	3/8	HMBP	F	220-240V 50Hz ~1	RSIR	R	C	169	338	893	1.80	1077	920	2.06	11.2	Pc	
GP12TB	12.05	3/8	HMBP	F	220-240V 50Hz ~1	CSIR	R	C-V	169	338	893	1.80	1077	920	2.06	10.1	Pc	
GP12TG	12.05	3/8	HMBP	F	200-220/220-230V 50/60Hz ~1	CSIR	R	C-V	169	338	893	1.77	1077	920	2.02	11.2	Pc	
GPY14RAa	14.32	3/8	HMBP	F	220-240V 50Hz ~1	CSIR	R	C-V	296	492	1161	1.98	1386	1190	2.27	12.6	Pd	
GPY14RAb	14.32	3/8	HMBP	F	220-240V 50Hz ~1	CSR	R	C-V	296	492	1161	2.18	1386	1190	2.50	12.6	Pd	
GPY16RAa	16.15	3/8	HMBP	F	220-240V 50Hz ~1	CSIR	R	C-V	315	522	1248	2.20	1490	1351	2.31	12.8	Pd	
GPY16RAb	16.15	3/8	HMBP	F	220-240V 50Hz ~1	CSR	R	C-V	315	522	1248	2.38	1490	1351	2.50	12.8	Pd	
GP14PB	14.17	3/8	HMBP	F	220-240V 50Hz ~1	RSIR	R	C	191	373	999	1.77	1209	1030	2.03	11.5	Pd	
GP14TB	14.17	3/8	HMBP	F	220-240V 50Hz ~1	CSIR	R	C-V	191	373	999	1.77	1209	1030	2.03	11.2	Pd	
GP14TG	14.17	3/8	HMBP	F	200-220/220-230V 50/60Hz ~1	CSIR	R	C-V	191	373	999	1.77	1209	1030	2.03	12.9	Pd	
GP16TB	16.15	3/8	HBP	F	220-240V 50Hz ~1	CSIR	R	C-V	269	476	1205	1.81	1452	1240	2.09	13.1	Pd	
GP16TG	16.15	3/8	HBP	F	200-220/230V 50/60Hz ~1	CSIR	R	C-V	269	476	1205	1.82	1452	1240	2.09	12.9	Pd	
GPT16RG	16.15	1/2	HBP	F	200-220/220-230V 50/60Hz ~1	CSR	R	C-V	305	539	1364	2.08	1644	1404	2.39	12.3	Pd	
GX18TB	18.40	1/2	HMBP	F	220-240V 50Hz ~1	CSIR	R	C-V	286	539	1390	1.91	1674	1430	2.20	15.0	Xc	
GX18TG	18.40	1/2	HMBP	F	200-220/220-230V 50/60Hz ~1	CSIR	R	C-V	286	539	1390	1.91	1674	1430	2.20	15.9	Xc	
GX21TB	20.72	5/8	HMBP	F	220-240V 50Hz ~1	CSIR	R	C-V	323	603	1550	1.90	1867	1595	2.18	17.0	Xd	
GX23TB	23.20	5/8	HMBP	F	220-240V 50Hz ~1	CSIR	R	C-V	368	678	1730	1.89	2083	1780	2.18	17.0	Xd	
GX23TG	23.20	5/8	HMBP	F	200-220/220-230V 50/60Hz ~1	CSIR	R	C-V	368	678	1730	1.80	2083	1780	2.08	17.0	Xd	
GS26TB	25.93	3/4	HMBP	F	220-240V 50Hz ~1	CSIR	R	C-V	265	703	2071	2.09	2515	2140	2.42	22.7	Sc	
GS26TG	25.93	3/4	HMBP	F	200-220/220-230V 50/60Hz ~1	CSIR	R	C-V	265	703	2071	2.15	2515	2140	2.49	22.7	Sc	
GS26T3	25.93	3/4	HMBP	F	400/440V 50/60Hz ~3	3PHASE	R	C-V	265	703	2071	2.21	2515	2140	2.55	22.7	Sc	
GS30TB	29.95	7/8	HMBP	F	220-240V 50Hz ~1	CSR	R	C-V	318	786	2452	2.33	3020	2550	2.70	22.7	Sd	
GS30TG	29.95	7/8	HMBP	F	200-220/220-230V 50/60Hz ~1	CSR	R	C-V	318	786	2452	2.33	3020	2550	2.70	23.0	Sd	
GS34TB	34.42	1	HMBP	F	220-240V 50Hz ~1	CSR	R	C-V	476	1068	2852	2.28	3422	2931	2.62	22.7	Sd	

(**) Model under development. Provisional performances/data. See design drawing on page xx

Green Cooling Models (*) Or HF01234yf • R134a: W (A) x 1.05 = kcal/h (B) • R134a: W (C) x 0.94 = kcal/h (D) • W x 0.86 = kcal/h

New Models

R134a (*) HMBP | HBP • 60 Hz




MODEL	DISPLACEMENT cm ³	POWER hp	APPLICATION	CPR COOLING	VOLTAGE FREQUENCY	MOTOR	STARTING	EXPANSION	REFRIGERATION CAPACITY							WEIGHT Kg	DESIGN
									COP in W/W 1 W = 0,864 kcal/h = 3,415 BTU/h Evaporating Temperature °C								
									Cecomaf (W)				Ashrae				
									-25	-15	5		10	7.2			
W	COP	kcal/h	COP														
GD24MEa	2.44	1/14	HMBP	S	115V 60Hz ~1	RSIR	P	C	38	75	203	1.41	247	210	1.63	5.1	Db
GD24MEc	2.44	1/14	HMBP	S	115V 60Hz ~1	CSIR	R	C-V	38	75	203	1.41	247	210	1.63	5.1	Db
GD30MEa	3.08	1/10	HMBP	S	115V 60Hz ~1	RSIR	P	C	57	104	272	1.43	330	281	1.63	5.8	Dc
GD30MEb	3.08	1/10	HMBP	F	115V 60Hz ~1	RSIR	P	C	57	104	272	1.43	330	281	1.63	5.8	Dc
GD30MEc	3.08	1/10	HMBP	S	115V 60Hz ~1	CSIR	R	C-V	57	104	272	1.43	330	281	1.63	5.8	Dc
GD30MEd	3.08	1/10	HMBP	F	115V 60Hz ~1	CSIR	R	C-V	57	104	272	1.43	330	281	1.63	5.8	Dc
GD36MEa	3.62	1/10	HMBP	S	115V 60Hz ~1	RSIR	P	C	61	111	305	1.45	373	316	1.67	6.7	Dd
GD36MEb	3.62	1/10	HMBP	F	115V 60Hz ~1	RSIR	P	C	61	111	305	1.45	373	316	1.67	6.7	Dd
GD36MEc	3.62	1/10	HMBP	S	115V 60Hz ~1	CSIR	R	C-V	61	111	305	1.45	373	316	1.67	6.7	Dd
GD36MEd	3.62	1/10	HMBP	F	115V 60Hz ~1	CSIR	R	C-V	61	111	305	1.45	373	316	1.67	6.7	Dd
GD40MEa	4.06	1/8	HMBP	S	115V 60Hz ~1	RSIR	P	C	74	137	353	1.47	425	363	1.69	6.7	Dd
GD40MEb	4.06	1/8	HMBP	F	115V 60Hz ~1	RSIR	P	C	74	137	353	1.47	425	363	1.69	6.7	Dd
GD40MEc	4.06	1/8	HMBP	S	115V 60Hz ~1	CSIR	R	C-V	74	137	353	1.47	425	363	1.69	6.7	Dd
GD40MEd	4.06	1/8	HMBP	F	115V 60Hz ~1	CSIR	R	C-V	74	137	353	1.47	425	363	1.69	6.7	Dd
GL45MG	4.50	1/6	HBP	S	230V 50/60Hz ~1	CSIR	R	C-V	90	157	400	1.66	483	412	1.92	8.8	Lb
GL45PE	4.50	1/6	HMBP	F	115V 60Hz ~1	RSIR	R	C	89	157	400	1.60	483	412	1.84	8.4	Lb
GL45TE	4.50	1/6	HMBP	F	115V 60Hz ~1	CSIR	R	C-V	89	157	400	1.60	483	412	1.84	8.6	Lb
GL45TG	4.50	1/6	HMBP	F	200-240/220-230V 50/60Hz ~1	CSIR	R	C-V	89	157	400	1.66	483	412	1.92	8.8	Lb
GL60PE	5.68	1/5	HMBP	F	115V 60Hz ~1	RSIR	R	C	111	199	511	1.75	616	526	2.01	9.5	Lc
GL60TE	5.68	1/5	HMBP	F	115V 60Hz ~1	CSIR	R	C-V	111	199	511	1.75	616	526	2.01	9.7	Lc
GL60MG	5.68	1/5	HBP	S	230V 50/60Hz ~1	CSIR	R	C-V	108	185	501	1.74	615	520	2.02	9.9	Lb
GL60TC	5.68	1/5	HMBP	F	100V 50/60Hz ~1	CSIR	R	C-V	111	199	511	1.75	616	526	2.01	9.8	Lc
GL60TG	5.68	1/5	HMBP	F	200-240/220-230V 50/60Hz ~1	CSIR	R	C-V	111	199	511	1.77	616	526	2.04	9.9	Lc
GLY80RDa	8.10	1/5	HMBP	F	115V 60Hz ~1	CSIR	R	C-V	169	299	776	2.03	939	800	2.34	10.6	Lc
GLY80RDb	8.10	1/5	HMBP	F	115V 60Hz ~1	CSR	R	C-V	169	299	776	2.18	939	800	2.51	10.6	Lc
GL80PE	7.57	1/5	HMBP	F	115V 60Hz ~1	RSIR	R	C	130	249	648	1.79	781	667	2.04	9.5	Lc
GL80TE	7.57	1/5	HMBP	F	115V 60Hz ~1	CSIR	R	C-V	130	249	648	1.79	781	667	2.04	10.1	Lc
GL80MG	7.57	1/5	HBP	S	230V 50/60Hz ~1	CSIR	R	C-V	203	276	677	1.86	830	702	2.15	10.1	Lc
GL80TC	7.57	1/5	HMBP	F	100V 50/60Hz ~1	CSIR	R	C-V	130	249	648	1.93	781	667	2.22	10.4	Lc
GL80TG	7.57	1/5	HMBP	F	200-220/220-230V 50/60Hz ~1	CSIR	R	C-V	130	249	648	1.79	781	667	2.04	10.1	Lc
GLY90RDa	9.09	1/4	HMBP	F	115V 60Hz ~1	CSIR	R	C-V	198	348	875	1.96	1053	900	2.25	10.6	Lc
GLY90RDb	9.09	1/4	HMBP	F	115V 60Hz ~1	CSR	R	C-V	198	348	875	2.11	1053	900	2.42	10.6	Lc
GL90PE	8.85	1/4	HMBP	F	115V 60Hz ~1	RSIR	R	C	167	303	773	1.79	932	796	2.06	10.8	Ld
GL90TE	8.85	1/4	HMBP	F	115V 60Hz ~1	CSIR	R	C-V	167	303	773	1.79	932	796	2.06	10.8	Ld
GL90TG	8.85	1/4	HMBP	F	200-220/220-230V 50/60Hz ~1	CSIR	R	C-V	168	303	773	1.72	932	796	1.97	10.8	Ld
GL90MG	8.85	1/4	HBP	S	230V 50/60Hz ~1	CSIR	R	C-V	172	300	775	1.84	940	800	2.11	10.8	Ld
GL90TC	8.85	1/4	HMBP	F	100V 50/60Hz ~1	CSIR	R	C-V	167	303	773	1.83	932	796	2.10	10.9	Ld
GPY12RDa	12.10	3/8	HMBP	F	115V 60Hz ~1	CSIR	R	C-V	281	480	1151	1.96	1375	1180	2.25	12.3	Pd
GPY12RDb	12.10	3/8	HMBP	F	115V 60Hz ~1	CSR	R	C-V	281	480	1151	2.12	1375	1180	2.44	12.3	Pd
GP12PE	12.05	3/8	HMBP	F	115V 60Hz ~1	RSIR	R	C	198	395	1045	1.83	1260	1076	2.10	11.2	Pc
GP12TE	12.05	3/8	HMBP	F	115V 60Hz ~1	CSIR	R	C-V	198	395	1045	1.83	1260	1076	2.10	11.2	Pc
GP12TG	12.05	3/8	HMBP	F	200-220/220-230V 50/60Hz ~1	CSIR	R	C-V	198	395	1045	1.69	1260	1076	1.93	11.2	Pc
GPY14RDa	14.32	1/2	HMBP	F	115V 60Hz ~1	CSIR	R	C-V	318	516	1411	1.91	1739	1467	2.22	12.8	Pd
GPY14RDb	14.32	1/2	HMBP	F	115V 60Hz ~1	CSR	R	C-V	318	516	1411	2.04	1739	1467	2.36	12.8	Pd

(*) Model under development. Provisional performances/data. See design drawing on page xx

This table continues in the following page

Green Cooling Models (*) Or HF01234yf • R134a: W (A) x 1.05 = kcal/h (B) • R134a: W (C) x 0.94 = kcal/h (D) • W x 0.86 = kcal/h

New Models

MODEL	DISPLACEMENT cm ³	POWER hp	APPLICATION	CPR COOLING	VOLTAGE FREQUENCY	MOTOR	STARTING	EXPANSION	REFRIGERATION CAPACITY						WEIGHT Kg	DESIGN		
									COP in W/W 1 W = 0,864 kcal/h = 3,415 BTU/h Evaporating Temperature °C									
									Cecomaf (W)			Ashrae						
									-25	-15	10	5		7.2				
W	COP	kcal/h	COP															
GP14PE	14.17	3/8	HMBP	F	115V 60Hz ~1	RSIR	R	C	222	437	1414	1168	1.78	1414	1205	2.03	11.5	Pd
GP14TE	14.17	3/8	HMBP	F	115V 60Hz ~1	CSIR	R	C-V	222	437	1414	1168	1.78	1414	1205	2.03	11.5	Pd
GP14TG	14.17	3/8	HMBP	F	200-220/220-230V 50/60Hz ~1	CSIR	R	C-V	222	437	1414	1168	1.78	1414	1205	2.03	12.9	Pd
 GPY16RDa	16.15	1/2	HMBP	F	115V 60Hz ~1	CSIR	R	C-V	349	614	1822	1519	1.89	1822	1560	2.17	12.5	Pd
 GPY16RDb	16.15	1/2	HMBP	F	115V 60Hz ~1	CSR	R	C-V	349	614	1822	1519	2.01	1822	1560	2.31	12.5	Pd
GP16TE	16.15	3/8	HBP	F	115V 60Hz ~1	CSIR	R	C-V	313	557	1698	1409	1.71	1698	1450	1.96	12.9	Pd
GP16TR	16.15	3/8	HBP	F	115-127V 60Hz ~1	CSIR	R	C-V	313	557	1698	1409	1.74	1698	1450	2.01	12.5	Pd
 GP16TG	16.15	3/8	HBP	F	200-220/230V 50/60Hz ~1	CSIR	R	C-V	313	557	1698	1409	1.75	1698	1450	2.00	12.9	Pd
GPT16RG	16.15	1/2	HBP	F	200-220/220-230V 50/60Hz ~1	CSR	R	C-V	342	619	1923	1596	2.06	1923	1612	2.37	12.5	Pd
GX18TG	18.40	1/2	HMBP	F	200-220/220-230V 50/60Hz ~1	CSIR	R	C-V	334	630	1958	1626	1.89	1958	1673	2.17	15.9	Xc
GX23TG	23.20	5/8	HMBP	F	200-220/220-230V 50/60Hz ~1	CSIR	R	C-V	429	792	2434	2022	1.73	2434	2080	1.98	17.0	Xd
GS26TG	25.93	3/4	HMBP	F	200-220/220-230V 50/60Hz ~1	CSIR	R	C-V	307	824	2936	2421	2.08	2936	2500	2.40	22.7	Sc
GS26T3	25.93	3/4	HMBP	F	400/440V 50/60Hz ~3	3PHASE	R	C-V	307	824	2936	2421	2.09	2936	2500	2.40	22.7	Sc
GS30TG	29.95	7/8	HMBP	F	200-220/220-230V 50/60Hz ~1	CSR	R	C-V	371	921	3528	2867	2.24	3528	2981	2.61	23.0	Sd
GS34TF	34.42	1	HMBP	F	220-230V 60Hz ~1	CSR	R	C-V	551	1248	3992	3329	2.18	3992	3421	2.50	22.7	Sd


R134a (*) MBP • 50 Hz

MODEL	DISPLACEMENT cm ³	POWER hp	APPLICATION	CPR COOLING	VOLTAGE FREQUENCY	MOTOR	STARTING	EXPANSION	REFRIGERATION CAPACITY					WEIGHT Kg	DESIGN
									COP in W/W 1 W = 0,864 kcal/h = 3,415 BTU/h Evaporating Temperature °C						
									-25	-20	-10	-5	0		
GD24NG	2.44	1/14	MBP	S	200-220/220-230V 50/60Hz ~1	RSIR	P	C	33	47	86	111	140	5.5	Db
GD24NBa	2.44	1/14	MBP	S	220-240V 50Hz ~1	RSIR	P	C	33	47	86	111	140	5.1	Db

R134a (*) MBP • 60 Hz

MODEL	DISPLACEMENT cm ³	POWER hp	APPLICATION	CPR COOLING	VOLTAGE FREQUENCY	MOTOR	STARTING	EXPANSION	REFRIGERATION CAPACITY					WEIGHT Kg	DESIGN
									COP in W/W 1 W = 0,864 kcal/h = 3,415 BTU/h Evaporating Temperature °C						
									-25	-20	-10	-5	0		
GD24NEa	2.44	1/14	MBP	S	115V 60Hz ~1	RSIR	P	C	38	55	101	130	164	5.1	Db
GD24NG	2.44	1/14	MBP	S	200-220/220-230V 50/60Hz ~1	RSIR	P	C	38	55	101	130	164	5.5	Db
GD30NEa	3.08	1/10	MBP	S	115V 60Hz ~1	RSIR	P	C	57	77	137	175	220	5.8	Dc
GD40NEa	4.06	1/8	MBP	S	115V 60Hz ~1	RSIR	P	C	74	102	180	230	288	6.0	Dd

(**) Model under development. Provisional performances/data. See design drawing on page xx

 Green Cooling Models (*) Or HF01234yf • R134a: W (A) x 1.05 = kcal/h (B) • R134a: W (C) x 0.94 = kcal/h (D) • W x 0.86 = kcal/h

 New Models

R134a (*) VHBP • 50 Hz

MODEL	DISPLACEMENT cm ³	POWER hp	APPLICATION	CPR COOLING	VOLTAGE FREQUENCY	MOTOR	STARTING	EXPANSION	REFRIGERATION CAPACITY					WEIGHT Kg	DESIGN
									COP in W/W 1 W = 0,864 kcal/h = 3,415 BTU/h Evaporating Temperature °C						
									0	5	10	20	25		
GL45YG	4.50	1/6	VHBP	S	230V 50/60Hz ~1	CSIR	R	C-V	264	329	409	610	732	8.8	Lb
GL99YB	9.95	3/8	VHBP	S	220-240V 50Hz ~1	RSCR	P	C	592	750	930	1355	1599	11.2	Ld
GP12YG	12.05	3/8	VHBP	S	230V 50/60Hz ~1	CSIR	R	C-V	732	913	1130	1675	2003	12.7	Pd
GP14YB	14.17	3/8	VHBP	S	220-240V 50Hz ~1	RSCR	P	C	904	1101	1346	1980	2369	13.5	Pd
GP16YB	16.15	1/2	VHBP	S	220-240V 50Hz ~1	RSCR	P	C	931	1151	1404	2007	2358	13.5	Pd
GP16YGb	16.15	1/2	VHBP	S	230V 50/60Hz ~1	CSR	R	C-V	974	1201	1475	2167	2585	12.9	Pd

R134a (*) VHBP • 60 Hz

MODEL	DISPLACEMENT cm ³	POWER hp	APPLICATION	CPR COOLING	VOLTAGE FREQUENCY	MOTOR	STARTING	EXPANSION	REFRIGERATION CAPACITY					WEIGHT Kg	DESIGN
									COP in W/W 1 W = 0,864 kcal/h = 3,415 BTU/h Evaporating Temperature °C						
									0	5	10	20	25		
GL45YG	4.5	1/6	VHBP	S	230V 50/60Hz ~1	CSIR	R	C-V	307	382	474	708	851	8.8	Lb
GP12YG	12.05	3/8	VHBP	S	230V 50/60Hz ~1	CSIR	R	C-V	856	1070	1324	1958	2337	12.7	Pd
GP16YGb	16.15	1/2	VHBP	S	230V 50/60Hz ~1	CSR	R	C-V	1131	1399	1723	2533	3021	12.9	Pd

R134a HMBP • 50 | 60 Hz

Variable Speed Compressors

MODEL	DISPLACEMENT cm ³	APPLICATION	COOLING	VOLTAGE FREQUENCY	MOTOR	EXPANSION	SPEED rpm	REFRIGERATION CAPACITY						WEIGHT Kg	DESIGN	
								COP in W/W 1 W = 0,864 kcal/h = 3,415 BTU/h Evaporating Temperature °C								
								Cecomaf (W)			Ashrae					
								-25	-15	+5	+10	+7.2	+7.2			
GLT99FSN	9.95	HMBP	F	220-240V 50/60Hz ~1	ECM	C-V	1800	115	205	542	2.52	658	560	2.92	11.2	Lc
							2100	135	242	630	2.6	764	651	2.98		
							2400	153	275	712	2.54	860	734	2.92		
							3000	188	340	868	2.42	1046	894	2.77		
							3600	222	391	1030	2.30	1253	1065	2.62		

(**) Model under development. Provisional performances/data. See design drawing on page xx

Green Cooling Models (*) Or HFO1234yf • R134a: W (A) x 1.05 = kcal/h (B) • R134a: W (C) x 0.94 = kcal/h (D) • W x 0.86 = kcal/h

New Models

R134a LBP | MBP | HBP • DC 50 | 60 Hz

Mobile Compressors


MODEL	DISPLACEMENT cm ³	APPLICATION	COOLING	VOLTAGE FREQUENCY	MOTOR	EXPANSION	SPEED rpm	REFRIGERATION CAPACITY								WEIGHT Kg	DESIGN
								COP in W/W 1 W = 0,864 kcal/h = 3,415 BTU/h Evaporating Temperature °C									
								Cecomaf (W)				Ashrae					
								-25		-10		+10		-23.3			
								W	COP	W	COP	W	COP	kcal/h	COP		
GD30FDC 12-42V	3.0	LBP MBP HBP	S / F	12-24-42V DC	ECM	C	1500	18	24	0.97	57	150	28	1.24	5.4	Db (**)	
							2000	25	34	0.98	82	210	40	1.28			
							2500	30	42	0.96	104	264	50	1.26			
							3000	35	49	0.95	122	-	58	1.24			
							3500	39	54	0.94	136	-	64	1.22			
GD30FDC Dual (*)	3.0	LBP MBP HBP	S / F	12-24-42V DC 100-240V 50/60Hz	ECM	C	1500	18	24	0.97	57	150	28	1.24	5.5	Db (**)	
							2000	25	34	0.98	82	210	40	1.28			
							2500	30	42	0.96	104	-	50	1.26			
							3000	35	49	0.95	122	-	58	1.24			
							3500	39	54	0.94	-	-	64	1.22			
GD30FDC 48-56V (*)	3.0	LBP MBP HBP	S / F	48-56V DC	ECM	C	1500	18	24	0.97	57	150	28	1.24	5.4	Db (**)	
							2000	25	34	0.98	82	210	40	1.28			
							2500	30	42	0.96	104	264	50	1.26			
							3000	35	49	0.95	122	-	58	1.24			
							3500	39	54	0.94	136	-	64	1.22			

R134a HMBP • DC

Mobile Compressors

MODEL	DISPLACEMENT cm ³	APPLICATION	COOLING	VOLTAGE FREQUENCY	MOTOR	EXPANSION	SPEED rpm	REFRIGERATION CAPACITY								WEIGHT Kg	DESIGN
								COP in W/W 1 W = 0,864 kcal/h = 3,415 BTU/h Evaporating Temperature °C									
								Cecomaf (W)				Ashrae					
								-25		-15		+10		+7,2			
								W	COP	W	COP	W	COP	kcal/h	COP		
GLT80TDC 24-42V	8.1	HMBP	F	24-42V DC	ECM	C	1500	78	139	362	1.93	421	369	2.19	8.4	Lc (**)	
							2000	107	190	487	2.06	565	497	2.34			
							2500	135	238	601	1.99	710	613	2.26			
							3000	161	281	711	1.91	840	725	2.17			
							3500	185	320	818	1.82	962	834	2.07			

(**) Model under development. Provisional performances/data. (**) See User's manual for final dimensions with its electronic driver. See design drawing on page xx

 Green Cooling Models (*) Or HF01234yf • R134a: W (A) x 1.05 = kcal/h (B) • R134a: W (C) x 0.94 = kcal/h (D) • W x 0.86 = kcal/h

 New Models
















2

Compressors Catalogue

R404A/R507









R404A • R507 (*) LBP • 50 Hz

MODEL	DISPLACEMENT cm ³	POWER hp	APPLICATION	CPR COOLING	VOLTAGE FREQUENCY	MOTOR	STARTING	EXPANSION	REFRIGERATION CAPACITY							WEIGHT Kg	DESIGN
									COP in W/W 1 W = 0,864 kcal/h = 3,415 BTU/h Evaporating Temperature °C								
									Cecomaf (W)				Ashrae				
									-40	-30	-25		-10	-23.3			
W	COP	kcal/h	COP														
 MLY40AAa	4.02	1/7	LBP	S	220-240V 50Hz ~1	RSIR	P	C	45	95	130	0.89	271	166	1.25	10.1	Lb
 MLY40AAb	4.02	1/7	LBP	S	220-240V 50Hz ~1	RSCR	P	C	45	95	130	0.94	271	166	1.32	10.1	Lb
 MLY45LAa	4.56	1/6	LBP	F	220-240V 50Hz ~1	CSIR	R	C-V	61	118	158	0.92	318	200	1.30	9.9	Lc
 MLY45LAb	4.56	1/6	LBP	F	220-240V 50Hz ~1	CSR	R	C-V	61	118	158	0.98	318	200	1.38	9.9	Lc
ML45FB	4.56	1/6	LBP	F	220-240V 50Hz ~1	CSIR	R	C-V	52	100	134	0.66	275	170	0.94	9.9	Lb
ML45FG	4.56	1/6	LBP	F	200-240/220-230V 50/60Hz ~1	CSIR	R	C-V	52	100	134	0.68	275	170	0.96	10.3	Lc
 MLY60LAa	5.98	1/5	LBP	F	220-240V 50Hz ~1	CSIR	R	C-V	87	169	222	0.90	430	280	1.26	10.3	Lc
 MLY60LAb	5.98	1/5	LBP	F	220-240V 50Hz ~1	CSR	R	C-V	87	169	222	0.97	430	280	1.36	10.3	Lc
ML60FB	5.98	1/5	LBP	F	220-240V 50Hz ~1	CSIR	R	C-V	69	134	178	0.71	352	225	1.01	10.2	Lc
ML60FG	5.98	1/5	LBP	F	200-240/220-230V 50/60Hz ~1	CSIR	R	C-V	69	134	178	0.71	352	225	1.01	10.3	Lc
 MLY80LAa	8.10	1/4	LBP	F	220-240V 50Hz ~1	CSIR	R	C-V	104	208	276	0.91	550	350	1.28	11.6	Ld
 MLY80LAb	8.10	1/4	LBP	F	220-240V 50Hz ~1	CSR	R	C-V	104	208	276	0.98	550	350	1.38	11.6	Ld
ML80FB	8.10	1/4	LBP	F	220-240V 50Hz ~1	CSIR	R	C-V	100	190	253	0.78	507	320	1.09	10.0	Lc
ML80FG	8.10	1/4	LBP	F	200-220/220-230V 50/60Hz ~1	CSIR	R	C-V	100	190	253	0.77	507	320	1.08	11.3	Ld
 MLY90LAa	9.09	1/3	LBP	F	220-240V 50Hz ~1	CSIR	R	C-V	121	236	313	0.91	614	395	1.28	11.9	Ld
 MLY90LAb	9.09	1/3	LBP	F	220-240V 50Hz ~1	CSR	R	C-V	121	236	313	0.98	614	395	1.38	11.9	Ld
ML90FB	8.86	1/3	LBP	F	220-240V 50Hz ~1	CSIR	R	C-V	104	208	276	0.83	550	350	1.16	10.1	Ld
ML90FG	8.86	1/3	LBP	F	200-220/230V 50/60Hz ~1	CSIR	R	C-V	104	208	276	0.80	550	350	1.13	11.3	Ld
 MPT12LA	12.10	3/8	LBP	F	220-240V 50Hz ~1	CSR	R	C-V	194	348	453	1.01	876	570	1.42	13.0	Pd
 MPT14LA	14.32	1/2	LBP	F	220-240V 50Hz ~1	CSR	R	C-V	243	420	535	0.99	988	670	1.38	13.4	Pd
 MPT16LA	16.15	1/2	LBP	F	220-240V 50Hz ~1	CSR	R	C-V	260	467	610	0.97	1165	765	1.40	12.8	Pd
MP12FB	12.05	3/8	LBP	F	220-240V 50Hz ~1	CSIR	R	C-V	104	252	351	0.83	747	450	1.16	12.0	Pd
MP12FG	12.05	3/8	LBP	F	200-220/220-230V 50/60Hz ~1	CSIR	R	C-V	104	252	351	0.82	747	450	1.16	12.7	Pd
MP14FB	14.17	1/2	LBP	F	220-240V 50Hz ~1	CSIR	R	C-V	121	304	422	0.80	880	540	1.12	13.9	Pd
MP14FG	14.17	1/2	LBP	F	200-220/230V 50/60Hz ~1	CSIR	R	C-V	121	304	422	0.80	880	540	1.12	13.0	Pd
MX18FBa	18.40	5/8	LBP	F	220-240V 50Hz ~1	CSR	R	C-V	174	397	548	0.96	1151	700	1.36	16.0	Xd
MX21FBa	20.72	3/4	LBP	F	220-240V 50Hz ~1	CSR	R	C-V	213	464	632	0.96	1301	805	1.35	16.0	Xd
MX21FG	20.72	3/4	LBP	F	200-220/220-230V 50/60Hz ~1	CSR	R	C-V	213	464	632	0.96	1301	805	1.35	16.2	Xd
MX23FB	23.20	7/8	LBP	F	220-240V 50Hz ~1	CSR	R	C-V	260	536	720	0.96	1460	915	1.35	16.4	Xd
MX23FG	23.20	7/8	LBP	F	200-220/220-230V 50/60Hz ~1	CSR	R	C-V	260	536	720	0.95	1460	915	1.34	17.8	Xd
MS26FB	25.93	3/4	LBP	F	220-240V 50Hz ~1	CSR	R	C-V	182	572	816	0.97	1744	1050	1.37	22.6	Sd
MS26FG	25.93	3/4	LBP	F	200-220/230V 50/60Hz ~1	CSR	R	C-V	174	550	779	0.96	1632	1000	1.35	22.6	Sd
MS26F3	25.93	3/4	LBP	F	400/440V 50/60Hz ~3	3PHASE	R	C-V	174	550	779	0.96	1632	1000	1.35	20.8	Sd
MS30FB	29.95	7/8	LBP	F	220-240V 50Hz ~1	CSR	R	C-V	208	657	935	0.95	1977	1201	1.35	22.7	Sd
MS30F3	29.95	7/8	LBP	F	400/440V 50/60Hz ~3	3PHASE	R	C-V	208	657	934	0.93	1976	1200	1.32	24.0	Sd
MS34FB	34.42	1	LBP	F	220V 50Hz ~1	CSR	R	C-V	243	764	1089	0.96	2319	1400	1.35	22.7	Sd
MS34FBb	34.42	1	LBP	F	220-240V 50Hz ~1	CSR	R	C-V	243	764	1089	0.96	2319	1400	1.35	22.7	Sd
MS34F3	34.42	1	LBP	F	400/440V 50/60Hz ~3	3PHASE	R	C-V	243	764	1089	1.00	2319	1400	1.40	22.9	Sd

(*) Or R407B. (**) Model under development. Provisional performances/data. See design drawing on page xx

 Green Cooling Models **R404A: W (A) x 1.17 = kcal/h (B)** • W x 0.86 = kcal/h • R404A: W (C) x 1.02 = kcal/h (D)
 New Models

R404A • R507 (*) LBP • 60 Hz










MODEL	DISPLACEMENT cm ³	POWER hp	APPLICATION	CPR COOLING	VOLTAGE FREQUENCY	MOTOR	STARTING	EXPANSION	REFRIGERATION CAPACITY						WEIGHT Kg	DESIGN	
									COP in W/W 1 W = 0,864 kcal/h = 3,415 BTU/h Evaporating Temperature °C								
									Cecomaf (W)			Ashrae					
									-40	-30	-25		-10	-23.3			
W	COP	kcal/h	COP														
ML45FR	4.56	1/6	LBP	F	115-127V 60Hz ~1	CSIR	R	C-V	61	118	157	0.72	322	200	1.01	10.3	Lc
ML45FG	4.56	1/6	LBP	F	200-240/220-230V 50/60Hz ~1	CSIR	R	C-V	61	118	157	0.69	322	200	0.97	10.3	Lc
 MLY60Lda	5.98	1/5	LBP	F	115V 60Hz ~1	CSIR	R	C-V	102	198	260	0.89	503	328	1.25	10.3	Lc
 MLY60Ldb	5.98	1/5	LBP	F	115V 60Hz ~1	CSR	R	C-V	102	198	260	0.95	503	328	1.34	10.3	Lc
ML60FR	5.98	1/5	LBP	F	115-127V 60Hz ~1	CSIR	R	C-V	82	157	208	0.72	412	263	1.01	11.0	Lc
ML60FG	5.98	1/5	LBP	F	200-240/220-230V 50/60Hz ~1	CSIR	R	C-V	82	157	208	0.70	412	263	0.99	10.3	Lc
ML80FR	8.10	1/4	LBP	F	115-127V 60Hz ~1	CSIR	R	C-V	117	224	297	0.75	593	376	1.05	11.3	Ld
ML80FG	8.10	1/4	LBP	F	200-220/220-230V 50/60Hz ~1	CSIR	R	C-V	117	224	297	0.76	593	376	1.07	11.3	Ld
 MLT90LD	9.09	1/3	LBP	F	115V 60Hz ~1	CSR	R	C-V	160	285	375	0.99	753	474	1.40	10.3	Ld
 MLT90CD	9.09	1/3	LBP	F	115V 60Hz ~1	RSCR	P	C	165	291	383	1.03	773	485	1.45	10.3	Ld
 MLT90CDc	9.09	1/3	LBP	S	115V 60Hz ~1	CSR	R	C-V	160	285	375	0.99	753	474	1.40	10.3	Ld
ML90FR	8.86	1/3	LBP	F	115-127V 60Hz ~1	CSIR	R	C-V	121	243	324	0.79	644	410	1.11	11.3	Ld
ML90FG	8.86	1/3	LBP	F	200-220/230V 50/60Hz ~1	CSIR	R	C-V	121	243	324	0.80	644	410	1.12	11.3	Ld
 MPT12LD	12.10	3/8	LBP	F	115V 60Hz ~1	CSR	R	C-V	226	398	516	1.01	996	650	1.41	11.5	Pd
 MPT12CD	12.10	3/8	LBP	F	115V 60Hz ~1	RSCR	P	C	226	398	516	1.01	996	650	1.41	11.5	Pd
MP12FR	12.05	3/8	LBP	F	115-127V 60Hz ~1	CSIR	R	C-V	121	295	411	0.81	874	527	1.15	12.7	Pd
MP12FG	12.05	3/8	LBP	F	200-220/220-230V 50/60Hz ~1	CSIR	R	C-V	121	295	411	0.85	874	527	1.19	12.7	Pd
MP14FE	14.17	1/2	LBP	F	115V 60Hz ~1	CSIR	R	C-V	142	356	494	0.77	1030	632	1.10	13.0	Pd
MP14FG	14.17	1/2	LBP	F	200-220/230V 50/60Hz ~1	CSIR	R	C-V	142	356	494	0.82	1030	632	1.15	13.0	Pd
 MPT14LF	14.32	1/2	LBP	F	208-230V 60Hz ~1	CSR	R	C-V	268	472	610	0.95	1190	770	1.34	13.4	Pd
MX21FG	20.72	3/4	LBP	F	200-220/220-230V 50/60Hz ~1	CSR	R	C-V	248	542	738	0.94	1520	940	1.32	16.2	Xd
MX23FG	23.20	7/8	LBP	F	200-220/220-230V 50/60Hz ~1	CSR	R	C-V	304	628	846	0.94	1718	1075	1.32	17.8	Xd
MS26FF	25.93	3/4	LBP	F	208-230V 60Hz ~1	CSR	R	C-V	203	643	912	0.92	1910	1170	1.30	22.6	Sd
MS26FG	25.93	3/4	LBP	F	200-220/230V 50/60Hz ~1	CSR	R	C-V	203	643	912	0.92	1910	1170	1.31	22.6	Sd
MS26F3	25.93	3/4	LBP	F	400/440V 50/60Hz ~3	3PHASE	R	C-V	203	643	912	0.92	1910	1170	1.31	20.8	Sd
MS30FF	29.95	7/8	LBP	F	208-230V 60Hz ~1	CSR	R	C-V	243	765	1090	0.93	2311	1400	1.31	22.7	Sd
MS30FG	29.95	7/8	LBP	F	230V 60Hz ~1	CSR	R	C-V	243	765	1090	0.96	2311	1400	1.36	22.7	Sd
MS30F3	29.95	7/8	LBP	F	400/440V 50/60Hz ~3	3PHASE	R	C-V	243	765	1090	0.94	2311	1400	1.32	24.0	Sd
MS34F3	34.42	1	LBP	F	400/440V 50/60Hz ~3	3PHASE	R	C-V	278	887	1267	0.96	2706	1630	1.35	22.9	Sd

(*) Or R407B. (**) Model under development. Provisional performances/data. See design drawing on page xx

 Green Cooling Models R404A: W (A) x 1.17 = kcal/h (B) • W x 0.86 = kcal/h • R404A: W (C) x 1.02 = kcal/h (D)

 New Models

R404A HMBP | HBP • 50 Hz






MODEL	DISPLACEMENT cm ³	POWER hp	APPLICATION	CPR COOLING	VOLTAGE FREQUENCY	MOTOR	STARTING	EXPANSION	REFRIGERATION CAPACITY							WEIGHT Kg	DESIGN	
									COP in W/W 1 W = 0.864 kcal/h = 3,415 BTU/h Evaporating Temperature °C									
									Cecomaf (W)				Ashrae					
									5		7.2		10		7.2			
									-25	-15	W	COP	10	kcal/h	COP			
ML40TB	4.05	1/6	HMBP	F	220-240V 50Hz ~1	CSIR	R	C-V	133	214	473	1.43	558	510	1.74	10.0	Lc	
ML40TG	4.05	1/6	HMBP	F	200-240/220-230V 50/60Hz ~1	CSIR	R	C-V	133	214	473	1.43	558	510	1.74	10.0	Lc	
ML45TB	4.50	1/5	HMBP	F	220-240V 50Hz ~1	CSIR	R	C-V	151	238	528	1.49	624	570	1.82	10.1	Lc	
ML45TG	4.50	1/5	HMBP	F	200-240/220-230V 50/60Hz ~1	CSIR	R	C-V	151	238	528	1.49	624	570	1.82	10.0	Lc	
 MLY60RAa	5.98	1/4	HMBP	F	220-240V 50Hz ~1	CSIR	R	C-V	212	346	766	1.77	902	825	2.15	10.5	Lc	
 MLY60RAb	5.98	1/4	HMBP	F	220-240V 50Hz ~1	CSR	R	C-V	212	346	766	1.93	902	825	2.36	10.5	Lc	
ML60TB	5.68	1/4	HMBP	F	220-240V 50Hz ~1	CSIR	R	C-V	166	277	647	1.53	769	700	1.85	10.1	Lc	
ML60TG	5.68	1/4	HMBP	F	200-220/230V 50/60Hz ~1	CSIR	R	C-V	166	277	647	1.53	769	700	1.85	10.0	Lc	
 MLY80RAa	8.10	3/8	HMBP	F	220-240V 50Hz ~1	CSIR	R	C-V	282	463	1055	1.86	1250	1140	2.27	10.2	Ld	
 MLY80RAb	8.10	3/8	HMBP	F	220-240V 50Hz ~1	CSR	R	C-V	282	463	1055	2.02	1250	1140	2.46	10.2	Ld	
ML80TB	7.57	3/8	HMBP	F	220-240V 50Hz ~1	CSIR	R	C-V	227	385	880	1.63	1040	950	1.99	11.4	Ld	
ML80TG	7.57	3/8	HMBP	F	200-240/220-230V 50/60Hz ~1	CSIR	R	C-V	227	385	880	1.63	1040	950	1.99	11.2	Ld	
 MLY90RAa	9.09	3/8	HMBP	F	220-240V 50Hz ~1	CSIR	R	C-V	317	512	1132	1.75	1334	1220	2.13	11.3	Ld	
 MLY90RAb	9.09	3/8	HMBP	F	220-240V 50Hz ~1	CSR	R	C-V	317	511	1136	1.92	1340	1225	2.34	11.3	Ld	
ML90TB	8.86	3/8	HMBP	F	220-240V 50Hz ~1	CSIR	R	C-V	282	463	1055	1.63	1250	1140	1.98	11.6	Ld	
ML90TG	8.86	3/8	HMBP	F	200-220/230V 50/60Hz ~1	CSIR	R	C-V	282	463	1055	1.63	1250	1140	1.98	12.7	Ld	
MP12RB	12.05	1/2	HMBP	F	220-240V 50Hz ~1	CSR	R	C-V	373	634	1463	1.89	1732	1580	2.30	13.5	Pd	
MP12TG	12.05	1/2	HMBP	F	200-220/220-230V 50/60Hz ~1	CSR	R	C-V	373	634	1463	1.85	1732	1580	2.25	13.5	Pd	
 MPT12RA (**)	12.10	3/8	HMBP	F	220-240V 50Hz ~1	CSR	R	C-V	398	676	1560	1.93	1845	1685	2.35	12.6	Pd	
MP14RB	14.17	1/2	HMBP	F	220-240V 50Hz ~1	CSR	R	C-V	463	765	1674	1.76	1963	1800	2.14	13.5	Pd	
 MPT14RA (**)	14.32	1/2	HMBP	F	220-240V 50Hz ~1	CSR	R	C-V	478	784	1760	1.81	2078	1900	2.20	13.5	Pd	
MX16TB	16.03	3/4	HMBP	F	220-240V 50Hz ~1	CSR	R	C-V	484	818	1880	1.76	2225	2030	2.15	16.2	Xc	
MX18TB	18.40	7/8	HMBP	F	220-240V 50Hz ~1	CSR	R	C-V	554	937	2157	1.78	2554	2330	2.18	16.0	Xd	
MX18TG	18.40	7/8	HMBP	F	200-220/220-230V 50/60Hz ~1	CSR	R	C-V	554	937	2157	1.78	2554	2330	2.18	17.0	Xd	
MX21TB	20.72	1	HMBP	F	220-240V 50Hz ~1	CSR	R	C-V	625	1052	2425	1.77	2873	2620	2.15	17.4	Xd	
MX21TG	20.72	1	HMBP	F	200-220/230V 50/60Hz ~1	CSR	R	C-V	625	1052	2425	1.77	2873	2620	2.15	17.6	Xd	
MS18T3	18.10	7/8	HMBP	F	400/440V 50/60Hz ~3	3PHASE	R	C-V	423	838	2137	1.92	2557	2320	2.35	20.0	Sc	
MS22TB	21.75	1	HMBP	F	220-240V 50Hz ~1	CSR	R	C-V	453	972	2566	2.04	3077	2789	2.50	20.5	Sc	
MS22T3	21.75	1	HMBP	F	400/440V 50/60Hz ~3	3PHASE	R	C-V	453	975	2576	2.01	3090	2800	2.45	20.0	Sc	
MS26TB	25.93	1 3/8	HMBP	F	220-240V 50Hz ~1	CSR	R	C-V	675	1295	3185	2.02	3789	3449	2.46	23.0	Sd	
MS26TG	25.93	1 3/8	HMBP	F	200-220/230V 50/60Hz ~1	CSR	R	C-V	675	1295	3186	2.02	3791	3451	2.46	23.0	Sd	
MS26T3	25.93	1 3/8	HMBP	F	400/440V 50/60Hz ~3	3PHASE	R	C-V	675	1295	3186	2.01	3791	3451	2.45	18.6	Sd	
MS34TB	34.42	1 5/8	HBP	F	220-240V 50Hz ~1	CSR	R	C-V	1012	1860	4231	1.92	4959	4551	2.30	22.7	Sd	
MS34T3	34.42	1 5/8	HMBP	F	400/440V 50/60Hz ~3	3PHASE	R	C-V	1007	1860	4231	1.82	4958	4551	2.20	22.8	Sd	
 MS34TG	34.42	1 5/8	HMBP	F	200-220/230V 50/60Hz ~1	CSR	R	C-V	1012	1860	4231	1.92	4959	4551	2.30	22.7	Sd	

(*) Or R407B. (**) Model under development. Provisional performances/data. See design drawing on page xx


 Green Cooling Models **R404A: W (A) x 1.17 = kcal/h (B)** • W x 0.86 = kcal/h • R404A: W (C) x 1.02 = kcal/h (D)

 New Models

R404A HMBP | HBP • 60 Hz

MODEL	DISPLACEMENT cm ³	POWER hp	APPLICATION	CPR COOLING	VOLTAGE FREQUENCY	MOTOR	STARTING	EXPANSION	REFRIGERATION CAPACITY								WEIGHT Kg	DESIGN
									COP in W/W 1 W = 0.864 kcal/h = 3,415 BTU/h Evaporating Temperature °C									
									Cecomaf (W)				Ashrae					
									5		7.2		5		7.2			
									-25	-15	W	COP	10	kcal/h	COP			
ML45TG	4.50	1/5	HMBP	F	200-240/220-230V 50/60Hz ~1	CSIR	R	C-V	177	279	618	1.44	731	667	1.74	10.0	Lc	
 MLY60RDa	5.98	1/4	HMBP	F	115V 60Hz ~1	CSIR	R	C-V	252	411	905	1.73	1065	975	2.10	11.0	Lc	
 MLY60RDb	5.98	1/4	HMBP	F	115V 60Hz ~1	CSR	R	C-V	252	411	905	1.86	1065	975	2.27	11.0	Lc	
ML60TG	5.68	1/4	HMBP	F	200-220/230V 50/60Hz ~1	CSIR	R	C-V	194	325	758	1.51	901	820	1.83	10.0	Lc	
ML60TR	5.68	1/4	HMBP	F	115-127V 60Hz ~1	CSIR	R	C-V	194	325	758	1.5	901	820	1.83	10.0	Lc	
 MLY80RDa	8.10	3/8	HMBP	F	115V 60Hz ~1	CSIR	R	C-V	330	543	1232	1.77	1457	1330	2.15	11.2	Ld	
 MLY80RDb	8.10	3/8	HMBP	F	115V 60Hz ~1	CSR	R	C-V	330	543	1232	1.83	1457	1330	2.22	11.2	Ld	
ML80TG	7.57	3/8	HMBP	F	200-240/220-230V 50/60Hz ~1	CSIR	R	C-V	265	451	1029	1.61	1215	1110	1.96	11.2	Ld	
ML90TG	8.86	3/8	HMBP	F	200-220/230V 50/60Hz ~1	CSIR	R	C-V	330	542	1235	1.56	1463	1334	1.89	12.7	Ld	
MP12TG	12.05	1/2	HMBP	F	200-220/220-230V 50/60Hz ~1	CSR	R	C-V	433	741	1713	1.81	2028	1850	2.20	13.5	Pd	
MX18TG	18.40	7/8	HMBP	F	200-220/220-230V 50/60Hz ~1	CSR	R	C-V	648	1095	2523	1.76	2989	2726	2.15	17.0	Xd	
MX21TG	20.72	1	HMBP	F	200-220/230V 50/60Hz ~1	CSR	R	C-V	730	1217	2799	1.74	3318	3026	2.12	17.6	Xd	
MS18T3	18.10	7/8	HMBP	F	400/440V 50/60Hz ~3	3PHASE	R	C-V	494	976	2487	1.85	2976	2700	2.25	20.0	Sc	
MS22T3	21.75	1	HMBP	F	400/440V 50/60Hz ~3	3PHASE	R	C-V	530	1140	3014	1.97	3615	3277	2.40	20.0	Sc	
MS26TG	25.93	1 3/8	HMBP	F	200-220/230V 50/60Hz ~1	CSR	R	C-V	790	1516	3729	1.96	4436	4038	2.37	23.0	Sd	
MS26T3	25.93	1 3/8	HMBP	F	400/440V 50/60Hz ~3	3PHASE	R	C-V	790	1516	3729	1.86	4436	4038	2.25	18.6	Sd	
MS34T3	34.42	1 5/8	HMBP	F	400/440V 50/60Hz ~3	3PHASE	R	C-V	1179	2176	4948	1.73	5797	5321	2.10	22.8	Sd	
 MS34TG	34.42	1 3/8	HMBP	F	200-220/230V 50/60Hz ~1	CSR	R	C-V	1173	2158	4910	1.86	5755	5280	2.23	23.0	Sd	

(*) Or R407B. (**) Model under development. Provisional performances/data. See design drawing on page xx

 Green Cooling Models **R404A: W (A) x 1.17 = kcal/h (B)** • W x 0.86 = kcal /h • R404A: W (C) x 1.02 = kcal/h (D)
 New Models



2

Compressors Catalogue

R290/R600a

R290 LBP • 50 Hz

Natural Refrigerant

MODEL	DISPLACEMENT cm ³	POWER hp	APPLICATION	CPR COOLING	VOLTAGE FREQUENCY	MOTOR	STARTING	EXPANSION	REFRIGERATION CAPACITY						WEIGHT Kg	DESIGN	
									COP in W/W 1 W = 0,864 kcal/h = 3,415 BTU/h Evaporating Temperature °C								
									Cecomaf (W)			Ashrae					
									-40	-30	-25		-10	-23.3			
W	COP	kcal/h	COP														
NLY45LAa	4.56	1/6	LBP	F	220-240V 50Hz ~1	CSIR	R	C-V	62	115	151	1.04	298	176	1.35	10.0	Lc
NLY45LAb	4.56	1/6	LBP	F	220-240V 50Hz ~1	CSR	R	C-V	62	115	151	1.11	298	176	1.44	10.0	Lc
NLY60LAa	5.98	1/5	LBP	F	220-240V 50Hz ~1	CSIR	R	C-V	85	152	198	1.02	388	230	1.33	10.3	Lc
NLY60LAb	5.98	1/5	LBP	F	220-240V 50Hz ~1	CSR	R	C-V	85	152	198	1.09	388	230	1.42	10.3	Lc
NLY60CAa	5.98	1/5	LBP	F	220-240V 50Hz ~1	RSIR	P	C	85	152	198	1.02	388	230	1.33	10.3	Lc
NLY60CAb	5.98	1/5	LBP	F	220-240V 50Hz ~1	RSCR	P	C	85	152	198	1.09	388	230	1.42	10.3	Lc
NL60FB	5.98	1/5	LBP	F	220-240V 50Hz ~1	CSIR	R	C-V	80	132	172	0.84	346	200	1.10	10.2	Lc
NLY80LAa	8.10	1/4	LBP	F	220-240V 50Hz ~1	CSIR	R	C-V	113	201	263	1.04	524	306	1.35	10.9	Ld
NLY80LAb	8.10	1/4	LBP	F	220-240V 50Hz ~1	CSR	R	C-V	113	201	263	1.10	524	306	1.43	10.9	Ld
NL80FB	8.10	1/4	LBP	F	220-240V 50Hz ~1	CSIR	R	C-V	103	177	232	0.85	468	270	1.10	10.0	Lc
NLY90LAa	9.09	1/3	LBP	F	220-240V 50Hz ~1	CSIR	R	C-V	130	236	306	1.05	590	355	1.37	11.1	Ld
NLY90LAb	9.09	1/3	LBP	F	220-240V 50Hz ~1	CSR	R	C-V	130	236	306	1.11	590	355	1.44	11.1	Ld
NL90FB	8.85	1/3	LBP	F	220-240V 50Hz ~1	CSIR	R	C-V	113	189	248	0.88	515	290	1.14	10.1	Ld
NPY12LAa	12.10	3/8	LBP	F	220-240V 50Hz ~1	CSIR	R	C-V	174	308	401	1.04	781	465	1.35	12.3	Pd
NPY12LAb	12.10	3/8	LBP	F	220-240V 50Hz ~1	CSR	R	C-V	174	308	401	1.15	781	465	1.49	12.3	Pd
NP12FB	12.05	3/8	LBP	F	220-240V 50Hz ~1	CSIR	R	C-V	132	248	333	0.91	692	390	1.19	12.0	Pd
NPY14LAa	14.32	1/2	LBP	F	220-240V 50Hz ~1	CSIR	R	C-V	216	375	484	1.05	926	560	1.35	12.8	Pd
NPY14LAb	14.32	1/2	LBP	F	220-240V 50Hz ~1	CSR	R	C-V	216	375	484	1.14	926	560	1.48	12.8	Pd
NP14FB	14.17	1/2	LBP	F	220-240V 50Hz ~1	CSIR	R	C-V	155	288	385	0.91	795	450	1.19	12.5	Pd
NPT16LA	16.15	1/2	LBP	F	220-240V 50Hz ~1	CSR	R	C-V	248	440	550	1.26	1110	640	1.52	12.8	Pd
NX18FBa	18.40	5/8	LBP	F	220-240V 50Hz ~1	CSR	R	C-V	226	450	575	1.12	1138	682	1.42	16.0	Xd
NX21FBa	20.72	3/4	LBP	F	220-240V 50Hz ~1	CSR	R	C-V	249	491	646	1.09	1245	750	1.42	16.0	Xd
NX23FB	23.20	7/8	LBP	F	220-240V 50Hz ~1	CSR	R	C-V	306	605	743	1.10	1405	851	1.43	17.5	Xd

R290 LBP • 60 Hz

Natural Refrigerant

MODEL	DISPLACEMENT cm ³	POWER hp	APPLICATION	CPR COOLING	VOLTAGE FREQUENCY	MOTOR	STARTING	EXPANSION	REFRIGERATION CAPACITY						WEIGHT Kg	DESIGN	
									COP in W/W 1 W = 0,864 kcal/h = 3,415 BTU/h Evaporating Temperature °C								
									Cecomaf (W)			Ashrae					
									-40	-30	-25		-10	-23.3			
W	COP	kcal/h	COP														
NLY45LRa	4.56	1/6	LBP	F	115-127V 60Hz ~1	CSIR	R	C-V	76	136	178	1.05	349	207	1.35	10.3	Lc
NLY45LRb	4.56	1/6	LBP	F	115-127V 60Hz ~1	CSR	R	C-V	76	136	178	1.12	349	207	1.44	10.3	Lc
NL45FR	4.56	1/6	LBP	F	115-127V 60Hz ~1	CSIR	R	C-V	71	95	164	0.85	318	190	1.10	10.3	Lc
NLY60LRa	5.98	1/5	LBP	F	115-127V 60Hz ~1	CSIR	R	C-V	99	178	233	1.03	456	270	1.33	10.6	Lc
NLY60LRb	5.98	1/5	LBP	F	115-127V 60Hz ~1	CSR	R	C-V	99	178	233	1.10	456	270	1.42	10.6	Lc
NL60FR	5.98	1/5	LBP	F	115-127V 60Hz ~1	CSIR	R	C-V	94	120	202	0.88	402	235	1.14	11.0	Lc
NLY80LRa	8.10	1/4	LBP	F	115-127V 60Hz ~1	CSIR	R	C-V	132	237	310	1.05	607	360	1.35	10.9	Lc
NLY80LRb	8.10	1/4	LBP	F	115-127V 60Hz ~1	CSR	R	C-V	132	237	310	1.11	607	360	1.43	10.9	Lc
NLY90LRa (**)	9.09	1/3	LBP	F	115-127V 60Hz ~1	CSIR	R	C-V	153	275	359	1.05	704	417	1.36	11.2	Ld
NLY90LRb (**)	9.09	1/3	LBP	F	115-127V 60Hz ~1	CSR	R	C-V	153	275	359	1.12	704	417	1.44	11.2	Ld
NPY12LRa	12.10	3/8	LBP	F	115-127V 60Hz ~1	CSIR	R	C-V	200	361	470	1.05	922	546	1.35	12.3	Pd
NPY12LRb	12.10	3/8	LBP	F	115-127V 60Hz ~1	CSR	R	C-V	200	361	470	1.12	922	546	1.44	12.3	Pd

(**) Model under development. Provisional performances/data. See design drawing on page xx

Green Cooling Models R600a: W (A) x 1.05 = kcal/h (B) • R290: W (A) x 1.16 = kcal/h (B) • R290: W (C) x 0.98 = kcal/h (D) • W x 1.16 = kcal /h
 New Models

R290 HMBP • 50 Hz

Natural Refrigerant

MODEL	DISPLACEMENT cm ³	POWER hp	APPLICATION	CPR COOLING	VOLTAGE FREQUENCY	MOTOR	STARTING	EXPANSION	REFRIGERATION CAPACITY								WEIGHT Kg	DESIGN
									COP in W/W 1 W = 0,864 kcal/h = 3,415 BTU/h Evaporating Temperature °C									
									Cecomaf (W)				Ashrae					
									-25	-15	5		-10	7.2				
W	GOP	kcal/h	GOP															
NL40TBa	4.05	1/5	HMBP	F	220-240V 50Hz ~1	RSIR	R	C	121	194	434	1.88	513	445	2.20	9.5	Lc	
NL40TBb	4.05	1/5	HMBP	F	220-240V 50Hz ~1	CSIR	R	C-V	121	194	434	1.88	513	445	2.20	9.5	Lc	
NLY45RAa	4.56	1/5	HMBP	F	220-240V 50Hz ~1	CSIR	R	C-V	148	237	518	2.15	609	530	2.51	10.0	Lc	
NLY45RAb	4.56	1/5	HMBP	F	220-240V 50Hz ~1	CSR	R	C-V	148	237	518	2.35	609	530	2.75	10.0	Lc	
NL45TB	4.50	1/5	HMBP	F	220-240V 50Hz ~1	CSIR	R	C-V	132	211	473	1.88	561	486	2.20	9.5	Lc	
NLY60RAa	5.98	1/4	HMBP	F	220-240V 50Hz ~1	CSIR	R	C-V	211	324	703	2.21	829	720	2.58	10.4	Lc	
NLY60RAb	5.98	1/4	HMBP	F	220-240V 50Hz ~1	CSR	R	C-V	211	324	703	2.40	829	720	2.79	10.4	Lc	
NL60TBa	5.68	1/4	HMBP	F	220-240V 50Hz ~1	RSIR	R	C	169	274	606	2.05	713	620	2.40	9.5	Lc	
NL60TBb	5.68	1/4	HMBP	F	220-240V 50Hz ~1	CSIR	R	C-V	169	274	606	2.05	713	620	2.40	9.5	Lc	
NLY80RAa	8.10	3/8	HMBP	F	220-240V 50Hz ~1	CSIR	R	C-V	258	411	929	2.22	1103	955	2.60	11.4	Lc	
NLY80RAb	8.10	3/8	HMBP	F	220-240V 50Hz ~1	CSR	R	C-V	258	411	929	2.39	1103	955	2.80	11.4	Lc	
NL80TB	7.57	3/8	HMBP	F	220-240V 50Hz ~1	CSIR	R	C-V	206	359	806	2.05	948	825	2.40	10.0	Ld	
NLY90RAa	9.09	3/8	HMBP	F	220-240V 50Hz ~1	CSIR	R	C-V	306	480	1054	2.20	1244	1080	2.56	11.4	Ld	
NLY90RAb	9.09	3/8	HMBP	F	220-240V 50Hz ~1	CSR	R	C-V	306	480	1054	2.38	1244	1080	2.78	11.4	Ld	
NL90TB	8.85	3/8	HMBP	F	220-240V 50Hz ~1	CSIR	R	C-V	242	391	921	2.08	1102	950	2.42	10.6	Ld	
NP12TB	12.05	1/2	HMBP	F	220-240V 50Hz ~1	CSR	R	C-V	316	537	1272	2.34	1517	1310	2.72	12.3	Pd	
NPY12RAa	12.10		HMBP	F	220-240V 50Hz ~1	CSIR	R	C-V	408	655	1462	2.12	1728	1500	2.45	12.3	Pd	
NPY12RAb	12.10		HMBP	F	220-240V 50Hz ~1	CSR	R	C-V	408	655	1462	2.33	1728	1500	2.70	12.3	Pd	
NP14TB	14.17	1/2	HMBP	F	220-240V 50Hz ~1	CSR	R	C-V	401	661	1509	2.29	1789	1550	2.67	13.5	Pd	
NX18TB	18.40	3/4	HMBP	F	220-240V 50Hz ~1	CSR	R	C-V	508	851	1961	2.15	2320	2014	2.50	16.8	Xc	
NX21TB	20.72	7/8	HMBP	F	220-240V 50Hz ~1	CSR	R	C-V	581	969	2242	2.14	2650	2304	2.49	17.2	Xd	

R290 HMBP • 60 Hz

Natural Refrigerant

MODEL	DISPLACEMENT cm ³	POWER hp	APPLICATION	CPR COOLING	VOLTAGE FREQUENCY	MOTOR	STARTING	EXPANSION	REFRIGERATION CAPACITY								WEIGHT Kg	DESIGN
									COP in W/W 1 W = 0,864 kcal/h = 3,415 BTU/h Evaporating Temperature °C									
									Cecomaf (W)				Ashrae					
									-25	-15	5		-10	7.2				
W	GOP	kcal/h	GOP															
NLY45RRa	4.56	1/6	HMBP	F	115-127V 60Hz ~1	CSIR	R	C-V	175	276	608	2.17	717	623	2.53	10.5	Lc	
NLY45RRb	4.56	1/6	HMBP	F	115-127V 60Hz ~1	CSR	R	C-V	175	276	608	2.35	717	623	2.75	10.5	Lc	
NLY60RRa	5.98	1/5	HMBP	F	115-127V 60Hz ~1	CSIR	R	C-V	238	375	826	2.21	975	846	2.58	10.8	Lc	
NLY60RRb	5.98	1/5	HMBP	F	115-127V 60Hz ~1	CSR	R	C-V	238	375	826	2.39	975	846	2.79	10.8	Lc	
NL60TR	5.68	1/4	HMBP	F	115-127V 60Hz ~1	CSIR	R	C-V	196	319	721	1.92	854	740	2.24	9.5	Lc	
NLY80RRa	8.10	1/4	HMBP	F	115-127V 60Hz ~1	CSIR	R	C-V	315	497	1095	2.23	1293	1122	2.60	11.1	Ld	
NLY80RRb	8.10	1/4	HMBP	F	115-127V 60Hz ~1	CSR	R	C-V	315	497	1095	2.40	1293	1122	2.80	11.1	Ld	
NLY90RRa**	9.09	1/3	HMBP	F	115-127V 60Hz ~1	CSIR	R	C-V	357	562	1239	2.19	1462	1269	2.56	11.4	Ld	
NLY90RRb**	9.09	1/3	HMBP	F	115-127V 60Hz ~1	CSR	R	C-V	357	562	1239	2.36	1462	1269	2.76	11.4	Ld	


(**) Model under development. Provisional performances/data. See design drawing on page xx

Green Cooling Models R600a: W (A) x 1.05 = kcal/h (B) • R290: W (A) x 1.16 = kcal/h (B) • R290: W (C) x 0.98 = kcal/h (D) • W x 1.16 = kcal /h

New Models


R290 HMBP • 50 | 60 Hz

Variable Speed Compressors

MODEL	DISPLACEMENT cm ³	APPLICATION	COOLING	VOLTAGE FREQUENCY	MOTOR	EXPANSION	SPEED rpm	REFRIGERATION CAPACITY						WEIGHT Kg	DESIGN	
								COP in W/W 1 W = 0,864 kcal/h = 3,415 BTU/h Evaporating Temperature °C								
								Cecomaf (W)			Ashrae					
								+5		+10	+7,2		COP			
-25	-15	W	COP	kcal/h												
 NLT60FSN (**)	5.98	HMBP	F	220-240V 50/60Hz ~1 100-127V 50/60Hz ~1	ECM	C	1800	101	180	476	2.76	578	466	3.08	10.8	Lc
							2100	119	214	557	2.79	675	545	3.12		
							2400	136	244	633	2.75	764	619	3.07		
							3000	171	308	787	2.63	948	770	2.94		
							3600	203	358	941	2.55	1144	920	2.85		

R290 LBP • 50 | 60 Hz

Variable Speed Compressors

MODEL	DISPLACEMENT cm ³	APPLICATION	COOLING	VOLTAGE FREQUENCY	MOTOR	EXPANSION	SPEED rpm	REFRIGERATION CAPACITY						WEIGHT Kg	DESIGN	
								COP in W/W 1 W = 0,864 kcal/h = 3,415 BTU/h Evaporating Temperature °C								
								Cecomaf (W)			Ashrae					
								-25		-10	-23.3		COP			
-40	-30	W	COP	kcal/h												
 NPT12FSC (*)	12.10	LBP	F	220-240V 50/60Hz ~1 100-127V 50/60Hz ~1 (**)	ECM	C	1800	115	196	257	1.18	521	300	1.52	12.1	Pc
							2100	134	233	306	1.28	601	352	1.65		
							2400	152	268	349	1.26	680	405	1.63		
							3000	178	326	419	1.25	-	485	1.60		
							3600	216	393	506	1.22	-	585	1.57		

(*) Different electronic driver depending on the voltage range. (**) Model under development. Provisional performances/data. See design drawing on page xx

 Green Cooling Models

 New Models

R600a LBP • 50 Hz

MODEL	DISPLACEMENT cm ³	POWER hp	APPLICATION	CPR COOLING	VOLTAGE FREQUENCY	MOTOR	STARTING	EXPANSION	REFRIGERATION CAPACITY							WEIGHT Kg	DESIGN
									COP in W/W 1 W = 0,864 kcal/h = 3,415 BTU/h Evaporating Temperature °C								
									Cecomaf (W)				Ashrae				
									-35	-30	-25		-10	-23.3			
W	COP	kcal/h	COP														
HD40AA	4.06	1/20	LBP	S	220-240V 50Hz ~1	RSIR	P	C	32	36	44	0.67	94	50	0.86	5.2	Db
HLY45AAa	4.56	1/12	LBP	S	220-240V 50Hz ~1	RSIR	P	C	23	36	52	0.97	111	60	1.25	6.8	Lb
HLY45AAb	4.56	1/12	LBP	S	220-240V 50Hz ~1	RSCR	P	C	23	36	52	1.02	112	60	1.32	6.8	Lb
HLY55AAa	5.46	1/9	LBP	S	220-240V 50Hz ~1	RSIR	P	C	28	44	62	1.03	130	72	1.33	8.9	Lb
HLY55AAb	5.46	1/9	LBP	S	220-240V 50Hz ~1	RSCR	P	C	28	44	62	1.10	131	72	1.42	8.9	Lb
HLY70AAa	6.65	1/8	LBP	S	220-240V 50Hz ~1	RSIR	P	C	42	59	80	1.08	162	92	1.37	9.1	Lb
HLY70AAb	6.65	1/8	LBP	S	220-240V 50Hz ~1	RSCR	P	C	41	59	81	1.15	163	93	1.46	9.1	Lb
HLY80AAa	8.10	1/7	LBP	S	220-240V 50Hz ~1	RSIR	P	C	53	74	99	1.11	201	113	1.41	9.1	Lb
HLY80AAb	8.10	1/7	LBP	S	220-240V 50Hz ~1	RSCR	P	C	54	74	99	1.17	203	113	1.49	9.1	Lb
HLY90AAa	9.09	1/6	LBP	S	220-240V 50Hz ~1	RSIR	P	C	67	84	109	1.11	230	125	1.41	9.5	Lc
HLY90AAb	9.09	1/6	LBP	S	220-240V 50Hz ~1	RSCR	P	C	65	84	111	1.17	233	127	1.49	9.5	Lc
HLY99AAa	9.95	1/6	LBP	S	220-240V 50Hz ~1	RSIR	P	C	69	90	119	1.10	248	136	1.40	10.6	Lc
HLY99AAb	9.95	1/6	LBP	S	220-240V 50Hz ~1	RSCR	P	C	67	90	119	1.16	249	137	1.48	10.6	Lc
HPY12AAa	12.10	1/5	LBP	S	220-240V 50Hz ~1	RSIR	P	C	78	107	144	1.12	300	165	1.43	11.0	Pc
HPY12AAb	12.10	1/5	LBP	S	220-240V 50Hz ~1	RSCR	P	C	78	107	144	1.18	300	165	1.50	11.0	Pd
HPY12AGa	12.10	1/4	LBP	S	200-220/220-230V 50/60Hz ~1	RSIR	P	C	78	107	144	1.10	300	165	1.40	10.9	Pc
HPY12AGb	12.10	1/4	LBP	S	200-220/220-230V 50/60Hz ~1	RSCR	P	C	78	107	144	1.16	300	165	1.48	10.9	Pc
HPY14AAa	14.32	1/5	LBP	S	220-240V 50Hz ~1	RSIR	P	C	92	124	166	1.13	344	190	1.43	11.0	Pc
HPY14AAb	14.32	1/5	LBP	S	220-240V 50Hz ~1	RSCR	P	C	92	124	166	1.18	344	190	1.50	11.0	Pd
HPY14AJa	14.32	1/5	LBP	S	100V 50/60Hz ~1	RSIR	P	C	88	122	161	1.03	336	185	1.25	11.0	Pc
HPY14AJb	14.32	1/5	LBP	S	100V 50/60Hz ~1	RSCR	P	C	88	122	161	1.07	336	185	1.35	11.0	Pd
HPY16AAa	16.15	1/4	LBP	S	220-240V 50Hz ~1	RSIR	P	C	101	136	181	1.13	380	208	1.44	11.0	Pc
HPY16AAb	16.15	1/4	LBP	S	220-240V 50Hz ~1	RSCR	P	C	101	136	181	1.19	380	208	1.51	11.0	Pd

R600a LBP • 60 Hz

















MODEL	DISPLACEMENT cm ³	POWER hp	APPLICATION	CPR COOLING	VOLTAGE FREQUENCY	MOTOR	STARTING	EXPANSION	REFRIGERATION CAPACITY							WEIGHT Kg	DESIGN
									COP in W/W 1 W = 0,864 kcal/h = 3,415 BTU/h Evaporating Temperature °C								
									Cecomaf (W)				Ashrae				
									-35	-30	-25		-10	-23.3			
W	COP	kcal/h	COP														
HPY12AGa	12.10	1/4	LBP	S	200-220/220-230V 50/60Hz ~1	RSIR	P	C	90	124	167	1.08	348	191	1.37	10.9	Pc
HPY12AGb	12.10	1/4	LBP	S	200-220/220-230V 50/60Hz ~1	RSCR	P	C	90	124	167	1.14	348	191	1.44	10.9	Pc
HPY14AJa	14.32	1/5	LBP	S	100V 50/60Hz ~1	RSIR	P	C	102	141	190	1.07	390	220	1.35	11.0	Pc
HPY14AJb	14.32	1/5	LBP	S	100V 50/60Hz ~1	RSCR	P	C	102	141	190	1.13	390	220	1.44	11.0	Pd

✔ Green Cooling Models
 R600a: W (A) x 1.05 = kcal/h (B) •
 R290: W (A) x 1.16 = kcal/h (B) •
 R290: W (C) x 0.98 = kcal/h (D) •
 W x 1.16 = kcal /h

See design drawing on page xx

▲ New Models

R600a HMBP • 50 Hz

MODEL	DISPLACEMENT cm ³	POWER hp	APPLICATION	CPR COOLING	VOLTAGE FREQUENCY	MOTOR	STARTING	EXPANSION	REFRIGERATION CAPACITY						WEIGHT Kg	DESIGN	
									COP in W/W 1 W = 0,864 kcal/h = 3,415 BTU/h Evaporating Temperature °C								
									Cecomaf (W)			Ashrae					
									-25	-15	5		10	7.2			
W	COP	kcal/h	COP														
 HD40MBa	4.06	1/14	HMBP	S	220-240V 50Hz ~1	RSIR	P	C	40	72	178	1.65	214	182	1.91	6.0	Dd
 HLY55MAa	5.46	1/10	HMBP	S	220-240V 50Hz ~1	RSIR	P	C	48	96	250	2.20	300	255	2.51	9.0	Lb
 HLY55Mab	5.46	1/10	HMBP	S	220-240V 50Hz ~1	RSCR	P	C	48	96	250	2.32	300	255	2.67	9.0	Lb
 HLY55MAc (***)	5.46	1/10	HMBP	S	220-240V 50Hz ~1	CSIR	R	C-V	48	96	250	2.20	300	255	2.51	9.0	Lb
 HLY70MAa	6.65	1/8	HMBP	S	220-240V 50Hz ~1	RSIR	P	C	66	120	307	2.18	370	314	2.50	8.4	Lb
 HLY70Mab	6.65	1/8	HMBP	S	220-240V 50Hz ~1	RSCR	P	C	66	120	307	2.34	370	314	2.69	8.4	Lb
 HLY70MAc (***)	6.65	1/8	HMBP	S	220-240V 50Hz ~1	CSIR	R	C-V	66	120	307	2.18	370	314	2.50	8.4	Lb
 HLY70MAc (***)	6.65	1/8	HMBP	F	220-240V 50Hz ~1	CSIR	R	C-V	66	120	307	2.18	370	314	2.50	8.4	Lb
 HLY99RAa	9.95	1/5	HMBP	F	220-240V 50Hz ~1	CSIR	R	C-V	111	197	460	2.07	553	470	2.39	10.2	Lc
 HLY99Rab	9.95	1/5	HMBP	F	220-240V 50Hz ~1	CSR	R	C-V	111	197	460	2.26	553	470	2.61	10.2	Lc
 HPY12RAa	12.10	1/4	HMBP	F	220-240V 50Hz ~1	CSIR	R	C-V	138	252	562	2.12	680	575	2.45	10.5	Pc
 HPY12Rab	12.10	1/4	HMBP	F	220-240V 50Hz ~1	CSR	R	C-V	138	252	562	2.32	680	575	2.68	10.5	Pc
 HPY14RAa	14.32	1/4	HMBP	F	220-240V 50Hz ~1	CSIR	R	C-V	164	294	670	2.11	808	685	2.43	10.9	Pd
 HPY14Rab	14.32	1/4	HMBP	F	220-240V 50Hz ~1	CSR	R	C-V	164	294	670	2.31	808	685	2.66	10.9	Pd
 HPY16RAa	16.15	3/8	HMBP	F	220-240V 50Hz ~1	CSIR	R	C-V	182	334	753	2.40	905	770	2.40	11.1	Pd
 HPY16Rab	16.15	3/8	HMBP	F	220-240V 50Hz ~1	CSR	R	C-V	182	334	753	2.27	905	770	2.62	11.1	Pd

(**) Model under development. Provisional performances/data. (***) First lowercase letter indicates:

b = Running capacitor included; a = Running capacitor not included

Second lowercase letter indicates:


c = Statically cooled with starting capacitor; a = Statically cooled without starting capacitor; d = Fan cooled with starting capacitor; b = Fan cooled without starting capacitor

See design drawing on page xx

 Green Cooling Models R600a: W (A) x 1.05 = kcal/h (B) • R290: W (A) x 1.16 = kcal/h (B) • R290: W (C) x 0.98 = kcal/h (D) • W x 1.16 = kcal /h

 New Models

R600a LBP | MBP | HBP • 12 | 42V DC

MODEL	DISPLACEMENT cm ³	APPLICATION	COOLING	VOLTAGE FREQUENCY	MOTOR	EXPANSION	SPEED rpm	REFRIGERATION CAPACITY						WEIGHT Kg	DESIGN	
								COP in W/W 1 W = 0,864 kcal/h = 3,415 BTU/h Evaporating Temperature °C								
								Cecomaf (W)			Ashrae					
								-30	-25		-10	+ 10	-23.3			
W	COP	kcal/h	COP													
 HD36FDC 12-42V (*)	3.6	LBP MBP HBP	S / F	12-24-42V DC	ECM	C	1500	16	19	1.03	44	112	22	1.26	5.5	Db (**)
							2000	20	25	1.05	58	147	28	1.28		
							2500	26	31	1.06	72	182	35	1.30		
							3000	30	37	1.02	86	216	42	1.24		
							3500	34	42	1.01	102	250	48	1.22		

(*) Different electronic driver depending on the voltage range. (**) Model under development. Provisional performances/data. See design drawing on page xx

 Green Cooling Models

 New Models



2.

Compressors Catalogue

R22

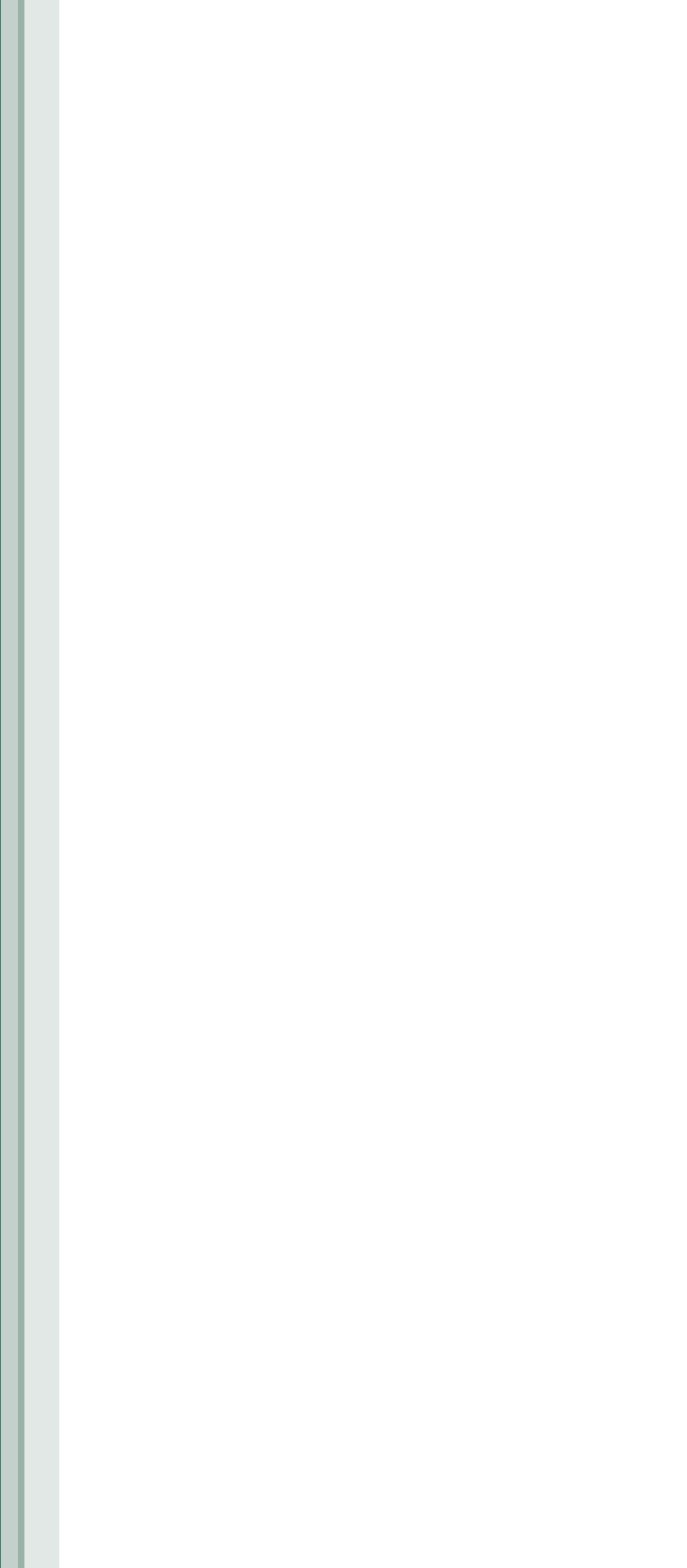
R22 HMBP | HBP • 50 Hz

MODEL	DISPLACEMENT cm ³	POWER hp	APPLICATION	CPR COOLING	VOLTAGE FREQUENCY	MOTOR	STARTING	EXPANSION	REFRIGERATION CAPACITY						WEIGHT Kg	DESIGN	
									COP in W/W 1 W = 0,864 kcal/h = 3,415 BTU/h Evaporating Temperature °C								
									Cecomaf (W)			Ashrae					
									-20	-15	5		10	7.2			
W	COP	kcal/h	COP														
L45TN	4.50	1/5	HMBP	F	220-240V 50Hz ~1	CSIR	R	C-V	157	206	497	1.68	593	500	1.91	9.5	Lc
L45TN	4.50	1/5	HMBP	F	200-220/230V 50/60Hz ~1	CSIR	R	C-V	170	217	516	1.72	619	520	1.95	9.5	Lc
L57TN	5.68	1/5	HMBP	F	200-220/230V 50/60Hz ~1	CSIR	R	C-V	203	262	626	1.76	748	630	1.98	9.5	Lc
L57TNa	5.68	1/5	HMBP	F	220-240V 50Hz ~1	RSIR	R	C	194	255	612	1.72	729	615	1.93	9.5	Lc
L57TNb	5.68	1/5	HMBP	F	220-240V 50Hz ~1	CSIR	R	C-V	194	255	612	1.72	729	615	1.93	9.5	Lc
L76TN	7.57	3/8	HMBP	F	220-240V 50Hz ~1	CSIR	R	C-V	269	348	816	1.72	971	820	1.95	10.2	Ld
L76TN	7.57	3/8	HMBP	F	200-220/230V 50/60Hz ~1	CSIR	R	C-V	273	348	833	1.80	1000	840	2.04	10.2	Ld
L88TN	8.86	3/8	HMBP	F	220-240V 50Hz ~1	CSIR	R	C-V	323	416	975	1.74	1161	980	1.97	10.6	Ld
L88TN	8.86	3/8	HMBP	F	200-220/230V 50/60Hz ~1	CSIR	R	C-V	323	416	975	1.75	1161	980	1.97	10.6	Ld
P12TN	12.05	1/2	HMBP	F	220-240V 50Hz ~1	CSR	R	C-V	412	537	1312	2.00	1574	1323	2.26	12.3	Pd
X16TN	16.03	5/8	HBP	F	200-220/230V 50/60Hz ~1	CSR	R	C-V	565	765	1785	2.04	2094	1782	2.30	16.7	Xd
X18TN	18.40	3/4	HBP	F	200-220/230V 50/60Hz ~1	CSR	R	C-V	662	895	2079	2.11	2438	2075	2.40	16.7	Xd
S18TN	18.10	3/4	HMBP	F	220-240V 50Hz ~1	CSR	R	C-V	555	755	2022	2.16	2454	2050	2.46	21.8	Sc
S18TN	18.10	3/4	HMBP	F	200-220/230V 50/60Hz ~1	CSR	R	C-V	555	755	2022	2.09	2454	2050	2.38	21.8	Sc
S22TN	21.77	7/8	HMBP	F	220-240V 50Hz ~1	CSR	R	C-V	646	890	2460	2.28	3001	2500	2.60	22.7	Sc
S26TN	25.93	1	HMBP	F	220-240V 50Hz ~1	CSR	R	C-V	857	1183	3027	2.20	3623	3051	2.50	22.7	Sd

R22 HMBP | HBP • 60 Hz

MODEL	DISPLACEMENT cm ³	POWER hp	APPLICATION	CPR COOLING	VOLTAGE FREQUENCY	MOTOR	STARTING	EXPANSION	REFRIGERATION CAPACITY						WEIGHT Kg	DESIGN	
									COP in W/W 1 W = 0,864 kcal/h = 3,415 BTU/h Evaporating Temperature °C								
									Cecomaf (W)			Ashrae					
									-20	-15	5		10	7.2			
W	COP	kcal/h	COP														
L45TN	4.50	1/5	HMBP	F	200-220/230V 50/60Hz ~1	CSIR	R	C-V	204	260	619	1.69	742	624	1.91	9.5	Lc
L57TN	5.68	1/5	HMBP	F	200-220/230V 50/60Hz ~1	CSIR	R	C-V	243	315	751	1.70	898	756	1.91	9.5	Lc
L76TN	7.57	3/8	HMBP	F	115-127V 60Hz ~1	CSIR	R	C-V	327	418	1000	1.79	1200	1008	2.02	10.2	Ld
L76TN	7.57	3/8	HMBP	F	200-220/230V 50/60Hz ~1	CSIR	R	C-V	327	418	1000	1.79	1200	1008	2.02	10.2	Ld
L88TN	8.86	3/8	HMBP	F	115-127V 60Hz ~1	CSIR	R	C-V	387	499	1170	1.69	1394	1176	1.90	10.6	Ld
L88TN	8.86	3/8	HMBP	F	200-220/230V 50/60Hz ~1	CSIR	R	C-V	387	499	1170	1.69	1394	1176	1.90	10.6	Ld
P12TN	12.05	1/2	HMBP	F	115V 60Hz ~1	CSR	R	C-V	494	644	1575	1.94	1890	1588	2.20	12.0	Pd
P12TN	12.05	1/2	HMBP	F	230V 60Hz ~1	CSR	R	C-V	494	644	1575	1.95	1890	1588	2.23	12.3	Pd
X16TN	16.03	5/8	HBP	F	200-220/230V 50/60Hz ~1	CSR	R	C-V	668	905	2085	2.00	2437	2078	2.25	16.7	Xd
X18TN	18.40	3/4	HBP	F	200-220/230V 50/60Hz ~1	CSR	R	C-V	786	1056	2426	2.12	2840	2420	2.41	16.7	Xd
S18TN	18.10	3/4	HMBP	F	200-220/230V 50/60Hz ~1	CSR	R	C-V	666	906	2426	2.01	2945	2460	2.29	21.8	Sc
S26TN	25.93	1	HMBP	F	230V 60Hz ~1	CSR	R	C-V	1028	1419	3633	2.12	4348	3661	2.36	22.7	Sd

R22: W (C) x 0.94 = kcal/h (D) • W x 0.86 = kcal /h. See design drawing on page xx



3.

Condensing Units Catalogue

**R134a / R404A /
R22 / 12-42VDC**

R134a HMBP | HBP • 50 Hz

MODEL	DISPLACEMENT cm ³	POWER hp	MAX. AMBIENCE TEMP. T = TROPICALIZED	APPLICATION	VOLTAGE FREQUENCY	MOTOR	EXPANSION	REFRIGERATION CAPACITY								VERSION "3"					
								W 1 W = 0,864 kcal/h = 3,412 BTU/h EVAPORATING TEMPERATURE °C								10	W x L x H mm	TUBES			DESIGN
								ASHRAE				7.2						SUCTIION Inch	COMPRESSION Inch	WEIGHT Kg	
								-25	-15	-5	5	W	W inp	A							
CGD30MB_N	3.08	1/10	43	T	HMBP	220-240V 50Hz ~1	CSIR	C-V	71	119	191	285	309	168	1.02	341	255x300x200	1/4	1/4	8.7	4A
CGD36MB_N	3.62	1/10	43	T	HMBP	220-240V 50Hz ~1	CSIR	C-V	91	147	230	341	369	196	1.0	407	255x300x200	1/4	1/4	8.8	4A
CGD40MB_N	4.06	1/8	43	T	HMBP	220-240V 50Hz ~1	CSIR	C-V	97	156	243	357	385	215	1.0	423	255x300x200	1/4	1/4	9.6	4A
CGL45PB_N	4.50	1/6	43	T	HMBP	220-240V 50Hz ~1	RSIR	C-V	108	183	286	416	448	238	1.0	491	320x425x220	3/8	1/4	14.5	3B
CGL45TB_N	4.50	1/6	43	T	HMBP	220-240V 50Hz ~1	CSIR	C-V	108	183	286	416	448	238	1.0	491	320x425x220	3/8	1/4	14.5	3B
CGL45TG_N	4.50	1/6	43	T	HMBP	200-240/220-230V 50/60Hz ~1	CSIR	C-V	109	180	279	407	439	219	1.0	482	320x425x220	3/8	1/4	14.5	3B
CGLY45RAa_N	4.56	1/6	43	T	HMBP	220-240V 50Hz ~1	CSIR	C-V	140	208	312	452	490	235	1.0	535	320x425x235	3/8	1/4	16	3B
CGLY45RAb_N	4.56	1/6	43	T	HMBP	220-240V 50Hz ~1	CSR	C-V	140	208	312	452	490	211	0.99	535	320x425x235	3/8	1/4	16	3B
CGL60PB_N	5.68	1/5	43	T	HMBP	220-240V 50Hz ~1	RSIR	C	130	232	361	520	558	271	1.0	609	320x425x235	3/8	1/4	17	3B
CGL60TB_N	5.68	1/5	43	T	HMBP	220-240V 50Hz ~1	CSIR	C-V	130	232	361	520	558	271	1.0	609	320x425x235	3/8	1/4	17	3B
CGL60TG_N	5.68	1/5	43	T	HMBP	200-240/220-230V 50/60Hz ~1	CSIR	C-V	136	227	366	551	599	271	1.0	662	320x425x235	3/8	1/4	17	3B
CGLY60RAa_N	5.98	1/5	43	T	HMBP	220-240V 50Hz ~1	CSIR	C-V	137	251	396	573	616	264	1.0	673	340x425x235	3/8	1/4	17	3B
CGLY60RAb_N	5.98	1/5	43	T	HMBP	220-240V 50Hz ~1	CSR	C-V	137	251	396	573	616	242	0.99	673	340x425x235	3/8	1/4	17	3A
CGL80PB_N	7.57	1/5	43	T	HMBP	220-240V 50Hz ~1	RSIR	C-V	166	285	441	636	684	343	2.02	747	340x425x235	3/8	1/4	17	3B
CGL80TB_N	7.57	1/5	43	T	HMBP	220-240V 50Hz ~1	CSIR	C-V	166	285	441	636	684	343	2.02	747	340x425x235	3/8	1/4	17	3B
CGL80TG_N	7.57	1/5	43	T	HMBP	200-220/220-230V 50/60Hz ~1	CSIR	C-V	178	300	473	699	755	333	2.02	831	340x425x235	3/8	1/4	17	3B
CGLY80RAa_N	8.10	1/5	43	T	HMBP	220-240V 50Hz ~1	CSIR	C-V	219	351	543	795	858	349	2.02	943	340x425x235	3/8	1/4	18.5	3B
CGLY80RAb_N	8.10	1/5	43	T	HMBP	220-240V 50Hz ~1	CSR	C-V	219	351	543	795	858	324	1.0	943	320x425x235	3/8	1/4	18.5	3A
CGL90PB_N	8.85	1/4	43	T	HMBP	220-240V 50Hz ~1	RSIR	C	203	341	533	780	842	386	2.02	924	340x425x235	3/8	1/4	18.5	3B
CGL90TB_N	8.85	1/4	43	T	HMBP	220-240V 50Hz ~1	CSIR	C-V	203	341	533	780	842	386	2.02	924	340x425x235	3/8	1/4	18.5	3B
CGL90TG_N	8.85	1/4	43	T	HMBP	200-220/220-230V 50/60Hz ~1	CSIR	C-V	193	335	529	775	836	382	1.99	917	340x425x235	3/8	1/4	18.5	3B
CGLY90RAa_N	9.09	1/4	43	T	HMBP	220-240V 50Hz ~1	CSIR	C-V	215	360	564	827	893	437	2.0	981	350x425x270	3/8	1/4	19.5	3B
CGLY90RAb_N	9.09	1/4	43	T	HMBP	220-240V 50Hz ~1	CSR	C-V	215	360	564	827	893	397	2.02	981	350x425x270	3/8	1/4	19.5	3A
CGP12PB_N	12.05	3/8	43	T	HMBP	220-240V 50Hz ~1	RSIR	C	251	448	704	1019	1097	604	3.02	1199	350x425x270	3/8	1/4	20	3B
CGP12TB_N	12.05	3/8	43	T	HMBP	220-240V 50Hz ~1	CSIR	C-V	251	448	704	1019	1097	604	3.02	1199	350x425x270	3/8	1/4	20	3B
CGP12TG_N	12.05	3/8	43	T	HMBP	200-220/220-230V 50/60Hz ~1	CSIR	C-V	251	412	671	1030	1123	539	2.99	1247	350x425x270	3/8	1/4	20	3B
CGPY12RAa_N	12.10	3/8	43	T	HMBP	220-240V 50Hz ~1	CSIR	C-V	314	504	768	1104	1188	571	3.02	1300	350x425x270	3/8	3/8	21.5	3B
CGPY12RAb_N	12.10	3/8	43	T	HMBP	220-240V 50Hz ~1	CSR	C-V	314	504	768	1104	1188	523	1.99	1300	350x425x270	3/8	3/8	21.5	3A
CGP14PB_N	14.17	3/8	43	T	HMBP	220-240V 50Hz ~1	RSIR	C	292	498	778	1130	1217	668	4.01	1334	350x425x270	3/8	1/4	21.5	3B
CGP14TB_N	14.17	3/8	43	T	HMBP	220-240V 50Hz ~1	CSIR	C-V	292	498	778	1130	1217	668	4.01	1334	350x425x270	3/8	1/4	21.5	3B
CGP14TG_M	14.17	3/8	38	-	HMBP	200-220/220-230V 50/60Hz ~1	CSIR	C-V	327	534	820	1184	1275	630	2.99	1395	350x425x270	3/8	1/4	21.5	3B
CGPY14RAa_N	14.32	3/8	43	T	HMBP	220-240V 50Hz ~1	CSIR	C-V	442	618	867	1190	1270	623	2.99	1378	365x510x300	3/8	3/8	23.5	2D
CGPY14RAb_N	14.32	3/8	43	T	HMBP	220-240V 50Hz ~1	CSR	C-V	442	618	867	1190	1270	579	3.02	1378	365x510x300	3/8	3/8	23.5	2E
CGPY16RAa_N	16.15	3/8	43	T	HMBP	220-240V 50Hz ~1	CSIR	C-V	390	644	964	1350	1444	659	2.99	1568	365x510x300	3/8	3/8	23.5	2D
CGPY16RAb_N	16.15	3/8	43	T	HMBP	220-240V 50Hz ~1	CSR	C-V	390	644	964	1350	1444	659	2.99	1568	365x510x300	3/8	3/8	23.5	2D
CGX18TB_N	18.40	1/2	43	T	HMBP	220-240V 50Hz ~1	CSIR	C-V	383	674	1050	1510	1622	832	5.01	1771	365x510x300	3/8	3/8	28.5	2C
CGX18TG_N	18.40	1/2	43	T	HMBP	200-220/220-230V 50/60Hz ~1	CSIR	C-V	398	699	1079	1538	1650	758	5.01	1797	365x510x300	3/8	3/8	28.5	2C
CGX21TB_N	20.72	5/8	43	T	HMBP	220-240V 50Hz ~1	CSIR	C-V	450	759	1178	1707	1838	926	5.02	2012	450x480x315	3/8	3/8	33	1E
CGX23TB_N	23.20	5/8	43	T	HMBP	220-240V 50Hz ~1	CSIR	C-V	492	906	1360	1853	1967	1027	6.04	2115	450x480x315	3/8	3/8	33	1E
CGS26TB_N	25.93	3/4	43	T	HMBP	220-240V 50Hz ~1	CSIR	C-V	524	989	1542	2182	2335	1125	6.01	2535	425x510x350	5/8	3/8	36	1B
CGS26TG_M	25.93	3/4	38	-	HMBP	200-220/220-230V 50/60Hz ~1	CSIR	C-V	565	1012	1597	2320	2498	1075	7.04	2734	425x530x350	5/8	3/8	36	1B
CGS30TB_N	29.95	7/8	43	T	HMBP	220-240V 50Hz ~1	CSR	C-V	609	1134	1811	2640	2843	1174	6.03	3112	425x530x350	5/8	3/8	39	1B
CGS34TB_N	34.42	1	43	T	HMBP	220-240V 50Hz ~1	CSR	C-V	686	1283	1992	2813	3009	1358	6.03	3266	425x530x350	5/8	3/8	39	1B
CGS34TB_N 2F	34.42	1	43	T	HMBP	220-240V 50Hz ~1	CSR	C-V	774	1071	1818	3017	3341	1362	6.03	3785	480x650x335	5/8	3/8	41.5	6A

(**) Model under development. Provisional performances/data.

See design drawing on page xx

 Green Cooling Models
 New Models

R134a HMBP | HBP • 60 Hz

MODEL	DISPLACEMENT cm ³	POWER hp	MAX. AMBIENCE TEMP. T = TROPICALIZED	APPLICATION	VOLTAGE FREQUENCY	MOTOR	EXPANSION	REFRIGERATION CAPACITY W 1 W = 0,864 kcal/h = 3,412 BTU/h EVAPORATING TEMPERATURE °C										VERSION "3"				
								ASHRAE										DIMENSIONS W x L x H mm	TUBES			DESIGN
								-25	-15	-5	5	7.2			10	Inch	Inch		Kg			
												W	W inp	A								
CGD40ME_N	4.06	1/8	43	T	HMBP	115V 60Hz ~1	CSIR	C-V	109	187	292	423	455	265	3.02	499	255x300x200	1/4	1/4	9.6	4A	
CGL45TE_N	4.5	1/6	43	T	HMBP	115V 60Hz ~1	CSIR	C-V	135	223	345	501	540	289	3.02	591	320x425x220	3/8	1/4	14.5	3B	
CGL45TG_N	4.5	1/6	43	T	HMBP	200-240/220-230V 50/60Hz ~1	CSIR	C-V	119	207	324	471	507	268	1.0	555	320x425x220	3/8	1/4	14.5	3B	
CGL60TE_N	5.68	1/5	43	T	HMBP	115V 60Hz ~1	CSIR	C-V	157	278	431	616	661	315	2.99	721	320x425x235	3/8	1/4	17	3B	
CGL60TG_N	5.68	1/5	43	T	HMBP	200-240/220-230V 50/60Hz ~1	CSIR	C-V	156	270	427	626	676	341	1.0	742	320x425x235	3/8	1/4	17	3B	
CGL80PE_N	7.57	1/5	43	T	HMBP	115V 60Hz ~1	RSIR	C	213	358	561	822	887	412	4.02	974	340x425x235	3/8	1/4	17	3B	
CGL80TE_N	7.57	1/5	43	T	HMBP	115V 60Hz ~1	CSIR	C-V	213	358	561	822	887	412	4.02	974	340x425x235	3/8	1/4	17	3B	
CGL80TG_N	7.57	1/5	43	T	HMBP	200-220/220-230V 50/60Hz ~1	CSIR	C-V	208	355	559	819	884	415	2.02	970	340x425x235	3/8	1/4	17	3B	
CGL90TE_N	8.85	1/4	43	T	HMBP	115V 60Hz ~1	CSIR	C-V	226	400	624	899	967	489	5.01	1056	340x425x235	3/8	1/4	18.5	3B	
CGL90TG_N	8.85	1/4	43	T	HMBP	200-220/220-230V 50/60Hz ~1	CSIR	C-V	231	401	623	896	963	472	1.99	1052	340x425x235	3/8	1/4	18.5	3B	
CGP12TE_N	12.05	3/8	43	T	HMBP	115V 60Hz ~1	CSIR	C-V	326	547	843	1213	1304	703	7.01	1425	350x425x270	3/8	1/4	20	3B	
CGP12TG_N	12.05	3/8	43	T	HMBP	200-220/220-230V 50/60Hz ~1	CSIR	C-V	306	532	827	1190	1279	668	2.99	1397	350x425x270	3/8	1/4	20	3B	
CGP14TE_M	14.17	3/8	38	-	HMBP	115V 60Hz ~1	CSIR	C-V	367	616	934	1320	1415	779	8.03	1539	350x425x270	3/8	1/4	21.5	3B	
CGP14TG_M	14.17	3/8	38	-	HMBP	200-220/220-230V 50/60Hz ~1	CSIR	C-V	374	620	947	1355	1456	763	4.01	1590	350x425x270	3/8	1/4	21.5	3B	
CGX18TG_N	18.4	1/2	43	T	HMBP	200-220/220-230V 50/60Hz ~1	CSIR	C-V	506	881	1324	1835	1957	868	5.01	2116	365x510x300	3/8	3/8	28.5	2C	
CGS26TG_M	25.93	3/4	38	-	HMBP	200-220/220-230V 50/60Hz ~1	CSIR	C-V	652	1177	1838	2635	2828	1368	7.04	3084	425x530x350	5/8	3/8	36	1B	

R404A HMBP | HBP • 50 Hz

MODEL	DISPLACEMENT cm ³	POWER hp	MAX. AMBIENCE TEMP. T = TROPICALIZED	APPLICATION	VOLTAGE FREQUENCY	MOTOR	EXPANSION	REFRIGERATION CAPACITY W 1 W = 0,864 kcal/h = 3,412 BTU/h EVAPORATING TEMPERATURE °C										VERSION "3"				
								ASHRAE										DIMENSIONS W x L x H mm	TUBES			DESIGN
								-25	-15	-5	5	7.2			10	Inch	Inch		Kg			
												W	W inp	A								
CML40TB_N	4.06	1/6	43	T	HMBP	220-240V 50Hz ~1	CSIR	C - V	199	300	428	583	621	349	2.02	671	320x425x235	3/8	1/4	14.6	3B	
CML45TB_N	4.5	1/5	43	T	HMBP	220-240V 50Hz ~1	CSIR	C - V	215	328	464	623	662	386	2.02	712	320x425x235	3/8	1/4	14.7	3B	
CML60TB_N	5.68	1/4	43	T	HMBP	220-240V 50Hz ~1	CSIR	C - V	266	409	579	777	824	479	1.99	886	325x425x235	3/8	1/4	22.5	3B	
CMLY60RAa_N	5.98	1/4	43	T	HMBP	220-240V 50Hz ~1	CSIR	C - V	317	469	668	912	972	486	1.99	1051	345x450x270	3/8	3/8	23	3B	
CMLY60RAb_N	5.98	1/4	43	T	HMBP	220-240V 50Hz ~1	CSR	C - V	317	469	668	912	972	441	2.02	1051	345x450x270	3/8	3/8	23	3A	
CML80TB_N	7.57	3/8	43	T	HMBP	220-240V 50Hz ~1	CSIR	C - V	408	567	795	1094	1170	572	3.02	1271	345x450x270	3/8	1/4	23.5	3B	
CML80TG_N	7.57	3/8	43	T	HMBP	200-240/220-230V 50/60Hz ~1	CSIR	C - V	344	551	793	1070	1136	574	2.99	1223	345x450x270	3/8	1/4	23.5	3B	
CMLY80RAa_N	8.1	3/8	43	T	HMBP	220-240V 50Hz ~1	CSIR	C - V	421	646	914	1226	1301	606	2.99	1399	350x425x270	3/8	3/8	23.9	3B	
CMLY80RAb_N	8.1	3/8	43	T	HMBP	220-240V 50Hz ~1	CSR	C - V	421	646	914	1226	1301	560	3.01	1399	350x425x270	3/8	3/8	23.9	3A	
CML90TB_N	8.85	3/8	43	T	HMBP	220-240V 50Hz ~1	CSIR	C - V	421	646	914	1226	1301	702	2.99	1399	350x425x270	3/8	3/8	23.9	3B	
CML90TG_N	8.85	3/8	43	T	HMBP	200-220/230V 50/60Hz ~1	CSIR	C - V	412	631	893	1196	1268	689	4.02	1363	350x425x270	3/8	3/8	23.9	3B	
CMLY90RAa_N	9.09	3/8	43	T	HMBP	220-240V 50Hz ~1	CSIR	C - V	466	712	1004	1344	1425	720	4.02	1531	365x510x300	3/8	3/8	25	2D	
CMLY90RAb_N	9.09	3/8	43	T	HMBP	220-240V 50Hz ~1	CSR	C - V	466	712	1004	1344	1425	660	3.02	1531	365x510x300	3/8	3/8	25	2E	
CMP12TB_N	12.05	1/2	43	T	HMBP	220-240V 50Hz ~1	CSR	C - V	581	898	1281	1728	1835	863	4.01	1976	425x480x350	3/8	3/8	29.8	1F	
CMP12TG_N	12.05	1/2	43	T	HMBP	200-220/220-230V 50/60Hz ~1	CSR	C - V	588	898	1300	1797	1918	785	4.02	2080	425x500x350	3/8	3/8	29.5	1D	
CMP14TB_N	14.17	1/2	43	T	HMBP	220-240V 50Hz ~1	CSR	C - V	613	972	1389	1863	1975	1003	4.01	2122	425x500x350	3/8	3/8	29.9	1F	
CMX16TB_M	16.15	5/8	38	-	HMBP	220-240V 50Hz ~1	CSR	C - V	730	1160	1623	2121	2235	1202	5.01	2382	450x480x340	3/8	3/8	30	1C	

This table continues in the following page

MODEL	DISPLACEMENT cm ³	POWER hp	MAX. AMBIENCE TEMP. T = TROPICALIZED	APPLICATION	VOLTAGE FREQUENCY	MOTOR	EXPANSION	REFRIGERATION CAPACITY W 1 W = 0,864 kcal/h = 3,412 BTU/h EVAPORATING TEMPERATURE °C								VERSION "3"					
								ASHRAE								DIMENSIONS W x L x H mm	TUBES			DESIGN	
								-25	-15	-5	5	7.2			10		SUCTION Inch	COMPRESSION Inch	WEIGHT Kg		
												W	W inp	A							
CMX16TB_N	16.15	5/8	43	T	HMBP	220-240V 50Hz ~1	CSR	C - V	698	1074	1536	2084	2216	1157	5.01	2390	430x495x350	3/8	3/8	30.5	1C
CMX18TB_M	18.4	7/8	38	-	HMBP	220-240V 50Hz ~1	CSR	C - V	790	1206	1650	2121	2228	1375	6.01	2367	430x500x350	3/8	3/8	33	1C
CMX21TB_N	20.72	1	43	T	HMBP	220-240V 50Hz ~1	CSR	C - V	847	1265	1798	2445	2603	1384	6.0	2812	455x500x440	3/8	3/8	36	1C
CMS18T3_N	18.1	7/8	43	T	HMBP	400/440V 50/60Hz ~3	3 PHASE	C - V	706	1130	1644	2249	2395	1199	2.02	2586	425x530x350	1/2	3/8	36	1A
CMS22T3_M	21.75	1	38	-	HMBP	400/440V 50/60Hz ~3	3 PHASE	C - V	943	1484	2121	2854	3028	1501	1.99	3256	455x515x440	1/2	3/8	38	1A
CMS22TB_N	21.75	1	43	T	HMBP	220-240V 50Hz ~1	CSR	C - V	859	1354	1975	2720	2900	1292	6.03	3139	455x525x440	1/2	3/8	41.7	1B
CMS22TB_N2F	21.75	1	43	T	HMBP	220-240V 50Hz ~1	CSR	C - V	880	1437	2126	2948	3146	1352	6.01	3408	480x650x335	1/2	3/8	39	6A
CMS26T3_N	25.93	1 3/8	43	T	HMBP	400/440V 50/60Hz ~3	3 PHASE	C - V	1206	1919	2723	3617	3826	1707	3.02	4099	455x515x440	5/8	3/8	43.2	1A
CMS26TB_N	25.93	1 3/8	43	T	HMBP	220-240V 50Hz ~1	CSR	C - V	1183	1853	2615	3468	3668	1778	8.03	3930	455x515x440	5/8	3/8	43.7	1B
CMS26TB_N2F	25.93	1 3/8	43	T	HMBP	220-240V 50Hz ~1	CSR	C - V	1166	1834	2584	3417	3611	1744	8.03	3864	480x650x335	5/8	3/8	40	6A
CMS34T3_N	34.42	1 5/8	43	T	HMBP	400/440V 50/60Hz ~3	3 PHASE	C - V	1527	2368	3289	4288	4519	2492	4.02	4818	455x515x440	5/8	3/8	44	1A
CMS34TB_M	34.42	1 5/8	38	-	HBP	220-240V 50Hz ~1	CSR	C - V	1335	2424	3475	4485	4702	2434	12.07	4976	455x515x440	5/8	3/8	44.5	1B
CMS34TB_M2F	34.42	1 5/8	38	-	HBP	220-240V 50Hz ~1	CSR	C - V	1253	2237	3217	4192	4405	2532	12.07	4677	480x650x335	5/8	3/8	41	6A
CMS34TB_N	34.42	1 5/8	43	T	HBP	220-240V 50Hz ~1	CSR	C - V	1369	2459	3524	4563	4788	2461	12.07	5073	455x515x440	5/8	3/8	44.5	1B

R404A HMBP | HBP • 60 Hz

MODEL	DISPLACEMENT cm ³	POWER hp	MAX. AMBIENCE TEMP. T = TROPICALIZED	APPLICATION	VOLTAGE FREQUENCY	MOTOR	EXPANSION	REFRIGERATION CAPACITY W 1 W = 0,864 kcal/h = 3,412 BTU/h EVAPORATING TEMPERATURE °C								VERSION "3"					
								ASHRAE								DIMENSIONS W x L x H mm	TUBES			DESIGN	
								-25	-15	-5	5	7.2			10		SUCTION Inch	COMPRESSION Inch	WEIGHT Kg		
												W	W inp	A							
CML80TG_N	7.57	3/8	43	T	HMBP	200-240/220-230V 50/60Hz ~1	CSIR	C - V	420	654	930	1247	1322	721	2.99	1421	345x450x270	3/8	1/4	23.5	3B
CML90TG_N	8.86	3/8	43	T	HMBP	200-220/230V 50/60Hz ~1	CSIR	C - V	483	745	1040	1367	1443	862	4.01	1542	350x425x270	3/8	3/8	23.9	3B
CMP12TG_N	12.05	1/2	43	T	HMBP	200-220/220-230V 50/60Hz ~1	CSR	C - V	669	1040	1467	1950	2064	988	4.01	2213	425x500x350	3/8	3/8	29.5	1D
CMS18T3_N	18.4	7/8	43	T	HMBP	400/440V 50/60Hz ~3	3 PHASE	C - V	778	1293	1859	2476	2619	1496	2.02	2804	425x530x350	1/2	3/8	36	1A
CMS22T3_M	21.75	1	38	-	HMBP	400/440V 50/60Hz ~3	3 PHASE	C - V	1079	1728	2407	3117	3277	1913	3.01	3483	455x515x440	1/2	3/8	38	1A
CMS26T3_N	25.93	1 3/8	43	T	HMBP	400/440V 50/60Hz ~3	3 PHASE	C - V	1383	2202	3080	4017	4231	2189	3.02	4508	455x515x440	5/8	3/8	43.2	1A
CMS34T3_N	34.42	1 5/8	43	T	HMBP	400/440V 50/60Hz ~3	3 PHASE	C - V	1678	2597	3511	4419	4618	3047	5.04	4871	455x515x440	5/8	3/8	44	1A

R404A LBP • 50 Hz

MODEL	DISPLACEMENT cm ³	POWER hp	MAX. AMBIENCE TEMP. T = TROPICALIZED	APPLICATION	VOLTAGE FREQUENCY	MOTOR	EXPANSION	REFRIGERATION CAPACITY W 1 W = 0,864 kcal/h = 3,412 BTU/h EVAPORATING TEMPERATURE °C ASHRAE							VERSION "3"				DESIGN	
								-23.3			-20	-10	DIMENSIONS W x L x H mm	TUBES						
								-40	-30	A				SUCTION Inch	COMPRESSION Inch	WEIGHT Kg				
								W	W inp	A										
CML45FB_N	4.5	1/6	43	T	LBP	220-240V 50Hz ~1	CSIR	C - V	95	162	220	225	1.0	253	370	320x425x220	3/8	1/4	14.5	3B
CMLY45LAa_N	4.56	1/6	43	T	LBP	220-240V 50Hz ~1	CSIR	C - V	102	179	244	194	0.99	281	410	320x425x220	3/8	1/4	15.5	3B
CMLY45LAb_N	4.56	1/6	43	T	LBP	220-240V 50Hz ~1	CSR	C - V	102	179	244	181	0.99	281	410	320x425x220	3/8	1/4	15.5	3A
CML60FB_N	5.68	1/5	43	T	LBP	220-240V 50Hz ~1	CSIR	C - V	122	206	277	268	0.99	316	453	320x425x220	3/8	1/4	16.5	3B
CMLY60LAa_N	5.98	1/5	43	T	LBP	220-240V 50Hz ~1	CSIR	C - V	147	249	335	262	0.99	383	548	320x425x220	3/8	1/4	17	3B
CMLY60LAb_N	5.98	1/5	43	T	LBP	220-240V 50Hz ~1	CSR	C - V	147	249	335	247	0.99	383	548	320x425x220	3/8	1/4	17	3A
CML80FB_N	7.57	1/4	43	T	LBP	220-240V 50Hz ~1	CSIR	C - V	169	274	357	342	1.99	401	548	320x425x220	3/8	1/4	17.2	3B
CMLY80LAa_N	8.1	1/4	43	T	LBP	220-240V 50Hz ~1	CSIR	C - V	195	310	419	338	1.99	482	709	325x425x235	3/8	1/4	19.2	3B
CMLY80LAb_N	8.1	1/4	43	T	LBP	220-240V 50Hz ~1	CSR	C - V	195	310	419	338	1.99	482	709	320x425x235	3/8	1/4	19.2	3A
CML90FB_N	8.86	1/3	43	T	LBP	220-240V 50Hz ~1	CSIR	C - V	195	310	419	355	1.99	482	709	325x425x235	3/8	1/4	19.2	3B
CMLY90LAa_N	9.09	1/4	43	T	LBP	220-240V 50Hz ~1	CSIR	C - V	267	370	477	373	2.0	541	779	340x425x245	3/8	1/4	19.2	3B
CMLY90LAb_N	9.09	1/4	43	T	LBP	220-240V 50Hz ~1	CSR	C - V	267	370	477	373	2.0	541	779	340x425x245	3/8	1/4	19.2	3A
CMP12FB_N	12.05	3/8	43	T	LBP	220-240V 50Hz ~1	CSIR	C - V	250	432	586	467	1.99	670	965	340x425x245	3/8	1/4	22.3	3B
CMPT12LA_N	12.1	3/8	43	T	LBP	220-240V 50Hz ~1	CSR	C - V	308	487	638	450	1.98	722	1012	350x425x270	3/8	1/4	20.7	3A
CMP14FB_N	14.17	1/2	43	T	LBP	220-240V 50Hz ~1	CSIR	C - V	267	461	620	567	2.98	707	1006	340x425x245	3/8	1/4	22.3	1F
CMPT14LA_N	14.32	1/2	43	T	LBP	220-240V 50Hz ~1	CSR	C - V	378	586	743	535	1.98	825	1093	425x340x270	3/8	3/8	23.9	3A
CMX18FBa_N	18.4	5/8	43	T	LBP	220-240V 50Hz ~1	CSR	C - V	349	611	820	639	2.97	933	1313	350x510x275	3/8	3/8	28	2E
CMX21FBa_N	20.72	3/4	43	T	LBP	220-240V 50Hz ~1	CSR	C - V	544	840	1062	712	2.98	1178	1560	365x510x305	3/8	3/8	29.8	2E
CMX23FB_M	23.2	7/8	38	-	LBP	220-240V 50Hz ~1	CSR	C - V	667	973	1209	813	3.97	1334	1750	365x510x305	3/8	3/8	30.3	2A
CMS26FB_N	25.93	3/4	43	T	LBP	220-240V 50Hz ~1	CSR	C - V	523	1028	1400	883	3.97	1593	2217	425x510x350	1/2	3/8	39	1B
CMS30FB_N	29.95	7/8	43	T	LBP	220-240V 50Hz ~1	CSR	C - V	617	1132	1518	1120	4.96	1721	2385	425x530x350	5/8	3/8	39	1B
CMS34F3_N	34.42	1	43	T	LBP	400/440V 50/60Hz ~3	3 PHASE	C - V	627	1139	1535	1209	1.99	1746	2448	425x530x350	5/8	3/8	44	1A
CMS34FB_N	34.42	1	43	T	LBP	220V 50Hz ~1	CSR	C - V	826	1210	1638	1209	5.95	1899	2892	425x530x350	5/8	3/8	39.5	1B
CMS34FBb_N	34.42	1	43	T	LBP	220V 50Hz ~1	CSR	C - V	826	1210	1638	1209	5.95	1899	2892	425x530x350	5/8	3/8	39.5	1B











R404A LBP • 60 Hz

MODEL	DISPLACEMENT cm ³	POWER hp	MAX. AMBIENCE TEMP. T = TROPICALIZED	APPLICATION	VOLTAGE FREQUENCY	MOTOR	EXPANSION	REFRIGERATION CAPACITY W 1 W = 0,864 kcal/h = 3,412 BTU/h EVAPORATING TEMPERATURE °C ASHRAE							VERSION "3"				DESIGN	
								-23.3			-20	-10	DIMENSIONS W x L x H mm	TUBES						
								-40	-30	A				SUCTION Inch	COMPRESSION Inch	WEIGHT Kg				
								W	W inp	A										
CMP14FE_N	14.17	1/2	43	T	LBP	115V 60Hz ~1	CSIR	C - V	335	561	752	739	8.97	859	1229	345x450x270	3/8	1/4	20.8	3B
CMS34F3_N	34.42	1	43	T	LBP	400/440V 50/60Hz ~3	3 PHASE	C - V	649	1247	1680	1415	1.98	1903	2616	425x530x350	5/8	3/8	44	1A

R22 HMBP • 50 Hz

MODEL	DISPLACEMENT cm ³	POWER hp	MAX. AMBIENCE TEMP. T = TROPICALIZED	APPLICATION	VOLTAGE FREQUENCY	MOTOR	EXPANSION	REFRIGERATION CAPACITY W 1 W = 0,864 kcal/h = 3,412 BTU/h EVAPORATING TEMPERATURE °C										VERSION "3"				
								ASHRAE										DIMENSIONS W x L x H mm	TUBES			DESIGN
								-25	-15	-5	5	7.2			10	Inch	Inch		Kg			
												W	W inp	A								
CL40TN_M	4.0	1/6	4.06	-	HMBP	220-240V 50Hz ~1	CSIR	C - V	164	260	396	570	613	296	1.0	671	325x425x235	3/8	1/4	21	3B	
CL45TN_M	4.5	1/5	4.5	-	HMBP	220-240V 50Hz ~1	CSIR	C - V	171	280	427	610	655	325	1.0	716	325x425x235	3/8	1/4	21	3B	
CL57TN_M	5.7	1/4	5.68	-	HMBP	220-240V 50Hz ~1	CSIR	C - V	205	341	519	739	793	394	2.02	865	325x425x235	3/8	1/4	22	3B	
CL76TN_M	7.6	3/8	7.57	-	HMBP	220-240V 50Hz ~1	CSIR	C - V	326	469	689	986	1062	522	3.02	1163	340x425x270	3/8	1/4	23	3B	
CL88TN_M	8.8	3/8	8.86	-	HMBP	220-240V 50Hz ~1	CSIR	C - V	348	544	816	1163	1250	620	2.99	1365	350x425x270	3/8	3/8	24	3B	
CP12TN_M	12.0	1/2	12.05	-	HMBP	220-240V 50Hz ~1	CSR	C - V	422	709	1101	1597	1721	714	3.02	1885	355x510x300	3/8	3/8	27	2B	
CX18TN_M	18.0	3/4	18.4	-	HBP	220-240V 50Hz ~1	CSR	C - V	-	1045	1560	2172	2305	1080	5.1	2491	450x530x340	3/8	3/8	40	1B	
CS22TN_M	22.0	7/8	21.77	-	HMBP	220-240V 50Hz ~1	CSR	C - V	692	1255	1906	2644	2818	1226	6.03	3046	425x530x350	5/8	3/8	44	1B	
CS26TN_M	26.0	1	25.93	-	HMBP	220-240V 50Hz ~1	CSR	C - V	934	1531	2210	2969	3147	1667	8.02	3379	430x530x350	5/8	3/8	44	1B	

R290 HMBP • 50 Hz













MODEL	DISPLACEMENT cm ³	POWER hp	MAX. AMBIENCE TEMP. T = TROPICALIZED	APPLICATION	VOLTAGE FREQUENCY	MOTOR	EXPANSION	REFRIGERATION CAPACITY W 1 W = 0,864 kcal/h = 3,412 BTU/h EVAPORATING TEMPERATURE °C										VERSION "3"				
								ASHRAE										DIMENSIONS W x L x H mm	TUBES			DESIGN
								-25	-15	-5	5	7.2			10	Inch	Inch		Kg			
												W	W inp	A								
 CNLY60RAa_N**	5.98	1/4	43	T	HMBP	220-240V 50Hz ~1	CSIR	C - V	*	*	*	*	878	365	*	*	340x425x245	3/8	1/4	24	3B	
 CNLY60Rab_N**	5.98	1/4	43	T	HMBP	220-240V 50Hz ~1	CSR	C - V	*	*	*	*	878	335	*	*	340x425x245	3/8	1/4	24	3A	
 CNL80TB_N	8.1	3/8	43	T	HMBP	220-240V 50Hz ~1	CSIR	C - V	360	482	675	939	1006	407	2.0	1097	345x450x270	3/8	1/4	23.5	3B	
 CNLY80RAa_N**	8.10	3/8	43	T	HMBP	220-240V 50Hz ~1	CSIR	C - V	*	*	*	*	1165	512	*	*	325x425x270	3/8	1/4	23.9	3B	
 CNLY80Rab_N**	8.10	3/8	43	T	HMBP	220-240V 50Hz ~1	CSR	C - V	*	*	*	*	1165	470	*	*	325x425x270	3/8	1/4	23.9	3A	
 CNL90TB_N	8.86	3/8	43	T	HMBP	220-240V 50Hz ~1	CSIR	C - V	341	487	702	987	1059	479	1.99	1155	350x425x270	3/8	3/8	23.9	3B	
 CNLY90RAa_N**	9.09	3/8	43	T	HMBP	220-240V 50Hz ~1	CSIR	C - V	*	*	*	*	1204	554	*	*	325x425x270	3/8	1/4	24.2	3B	
 CNLY90Rab_N**	9.09	3/8	43	T	HMBP	220-240V 50Hz ~1	CSR	C - V	*	*	*	*	1204	503	*	*	325x425x270	3/8	1/4	24.2	3A	
 CNP14TB_N	14.17	1/2	43	T	HMBP	220-240V 50Hz ~1	CSR	C - V	453	730	1095	1550	1662	717	3.02	1810	425x500x350	3/8	3/8	30.1	1D	
 CNX18TB_M	18.0	7/8	38	-	HMBP	220-240V 50Hz ~1	CSR	C - V	694	1059	1559	2195	2353	982	3.99	2564	430x500x350	3/8	3/8	33	1C	

(*) No data available. (**) Model under development. Provisional performances/data. See design drawing on page xx

 Green Cooling Models

 New Models

R290 LBP • 50 Hz

	MODEL	DISPLACEMENT cm ³	POWER hp	MAX. AMBIENCE TEMP. T = TROPICALIZED	APPLICATION	VOLTAGE FREQUENCY	MOTOR	EXPANSION	REFRIGERATION CAPACITY W 1 W = 0,864 kcal/h = 3,412 BTU/h EVAPORATING TEMPERATURE °C ASHRAE						VERSION "3"						
									-40	-30	-23.3			-20	-10	DIMENSIONS W x L x H mm	TUBES			DESIGN	
											W	W inp	A				SUCTION Inch	COMPRESSION Inch	WEIGHT Kg		
	CNLY45LAa_N	4.56	1/6	43	T	HMBP	220-240V 50Hz ~2	CSIR	C - V	103	175	238	172	1.0	270	383	320x425x220	3/8	1/4	15.5	3B
	CNLY45LAb_N	4.56	1/6	43	T	HMBP	220-240V 50Hz ~3	CSR	C - V	103	175	238	160	0.99	270	383	320x425x220	3/8	1/4	15.5	3A
	CNLY60LAa_N	5.98	1/5	43	T	HMBP	220-240V 50Hz ~4	CSIR	C - V	137	205	272	211	1.02	307	443	320x425x220	3/8	1/4	17	3B
	CNLY60LAb_N	5.98	1/5	43	T	HMBP	220-240V 50Hz ~5	CSR	C - V	137	205	272	199	1.0	307	443	320x425x220	3/8	1/4	17	3A
	CNLY80LAa_N	8.1	1/4	43	T	HMBP	220-240V 50Hz ~6	CSIR	C - V	198	266	334	260	2.0	371	514	320x425x220	3/8	1/4	20	3B
	CNLY80LAb_N	8.1	1/4	43	T	HMBP	220-240V 50Hz ~7	CSR	C - V	198	266	334	251	2.02	371	514	320x425x220	3/8	1/4	20	3A
	CNLY90LAa_N	9.09	1/3	43	T	HMBP	220-240V 50Hz ~8	CSIR	C - V	220	321	412	305	2.0	460	638	340x425x245	3/8	1/4	19.2	3B
	CNLY90LAb_N	9.09	1/3	43	T	HMBP	220-240V 50Hz ~9	CSR	C - V	220	321	412	293	1.99	460	638	340x425x245	3/8	1/4	19.2	3A
	CNPY12LAa_N	12.1	3/8	43	T	HMBP	220-240V 50Hz ~10	CSIR	C - V	273	455	588	425	3.02	634	870	350x425x270	3/8	1/4	23	3B
	CNPY12LAb_N	12.1	3/8	43	T	HMBP	220-240V 50Hz ~11	CSR	C - V	273	455	588	414	2.98	634	870	350x425x270	3/8	1/4	23	3A
	CNPY14LAa_N	14.32	1/2	43	T	HMBP	220-240V 50Hz ~12	CSIR	C - V	302	502	654	481	2.98	730	986	350x425x270	3/8	1/4	23.5	3B
	CNPY14LAb_N	14.32	1/2	43	T	HMBP	220-240V 50Hz ~13	CSR	C - V	302	502	654	465	1.99	730	986	350x425x270	3/8	1/4	23.5	3A

(*) No data available. (**) Model under development. Provisional performances/data. See design drawing on page xx

 Green Cooling Models

 New Models

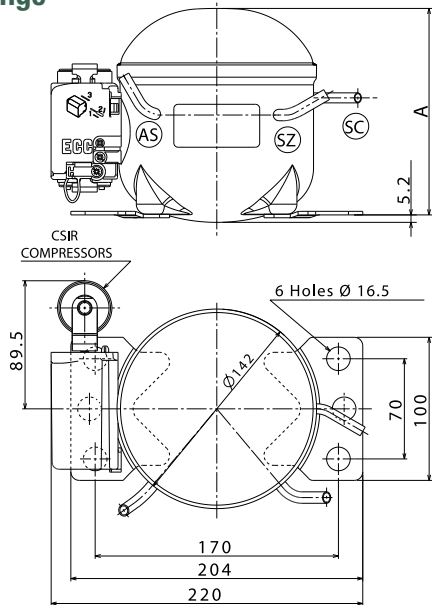


4.

Technical
Information

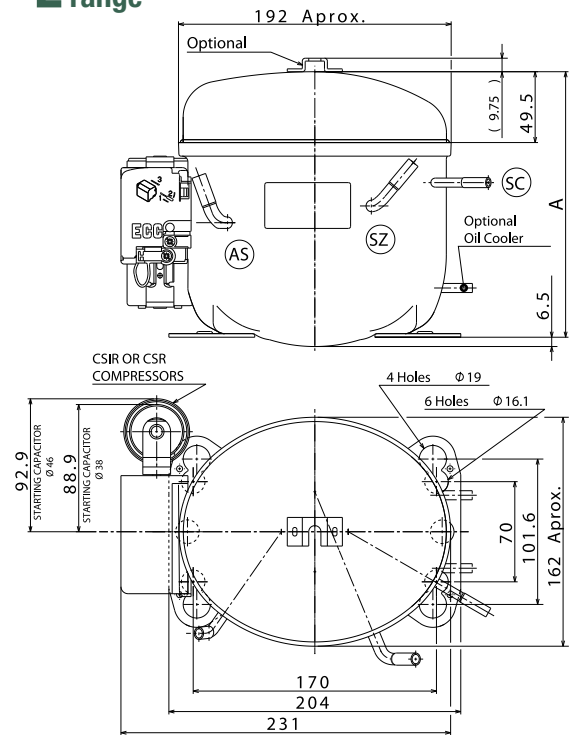
Compressor Dimensional Drawings

D range



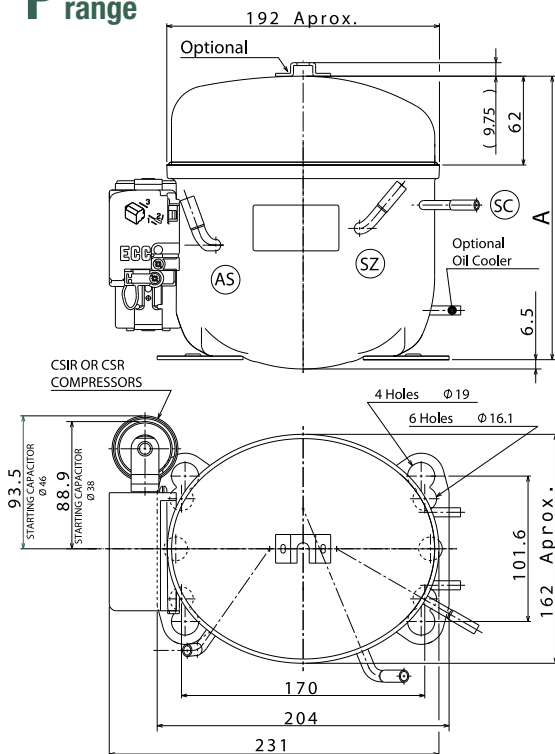
	A (mm)	LEGEND	
Db	149.5	AS	Suction/Service
Dc	157.5	SC	Discharge
Dd	162.5	SZ	Service/Suction

L range



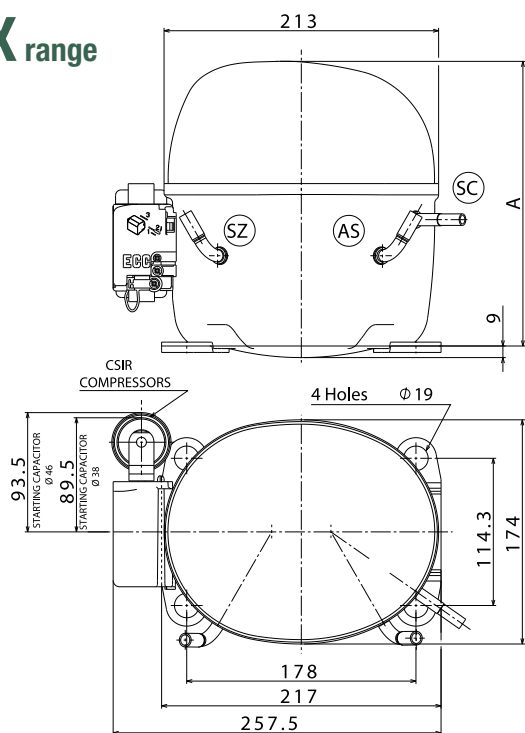
	A (mm)	LEGEND	
Lb	175	AS	Suction/Service
Lc	185.6	SC	Discharge
Ld	198	SZ	Service/Suction

P range



	A (mm)	LEGEND	
Pc	198.1	AS	Suction/Service
Pd	210.5	SC	Discharge
		SZ	Service/Suction

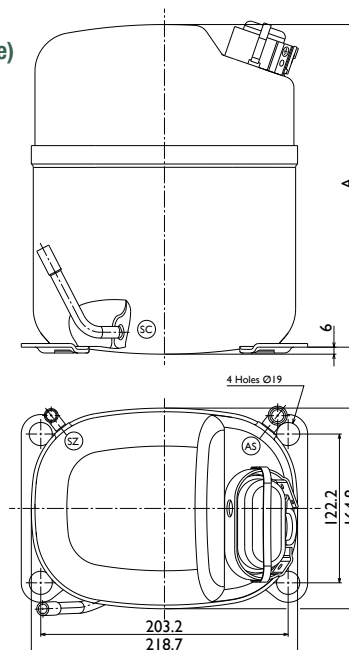
X range



	A (mm)
Xc	215
Xd	221

	LEGEND
AS	Suction
SC	Discharge
SZ	Service

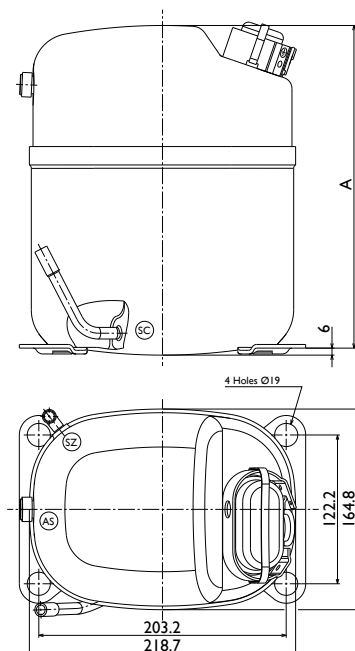
S range (Tube)



	A (mm)
Sc	265
Sd	276

TUBE		LEGEND
AS		Suction
SC		Discharge
SZ		Service

S range (Valve)

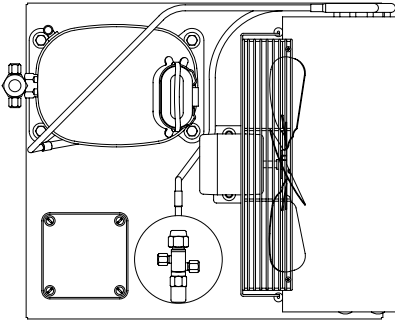


	A (mm)
Sc	265
Sd	276

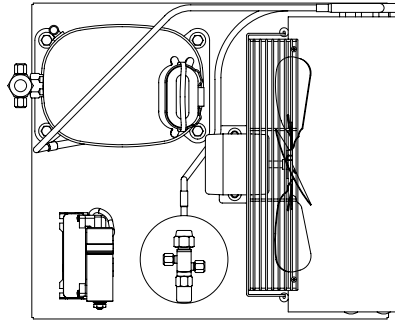
VALVE		LEGEND
AS		Valve serv.
SC		Discharge
SZ		Service

Condensing Unit Layouts

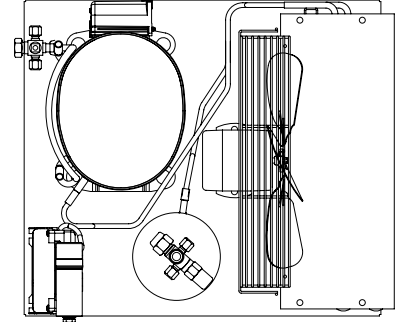
1A



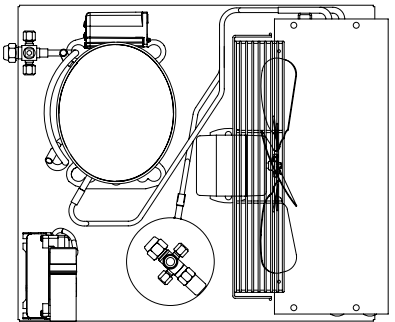
1B



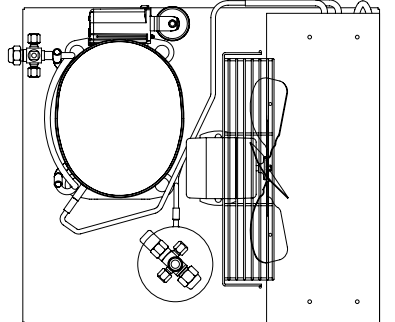
1C



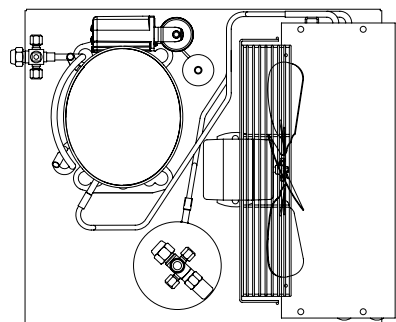
1D



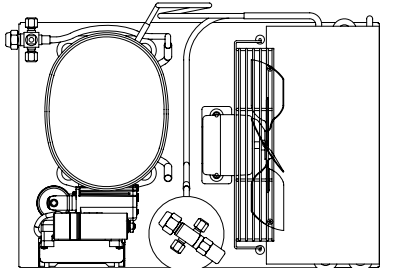
1E



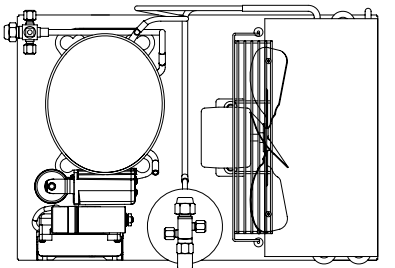
1F



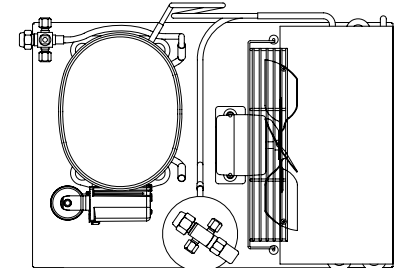
2A



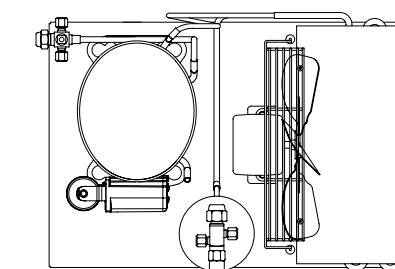
2B



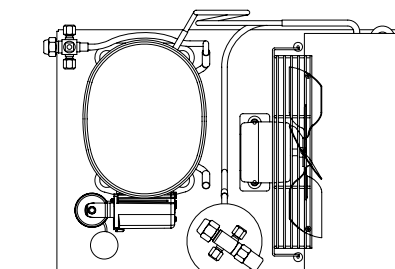
2C



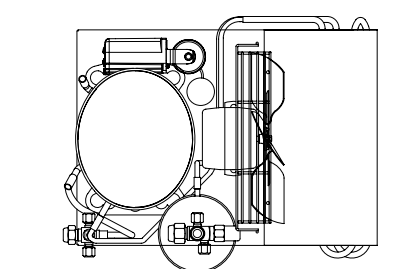
2D



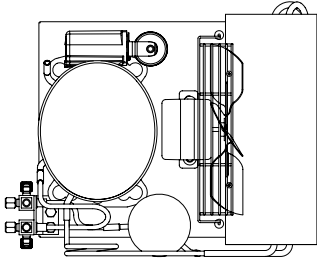
2E



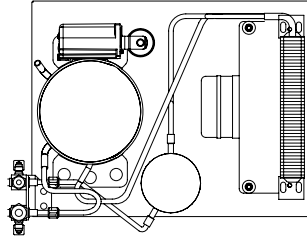
3A



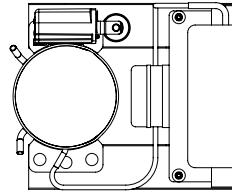
3B



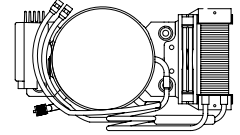
3C



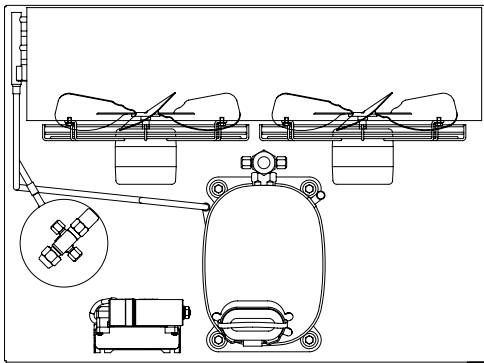
4A



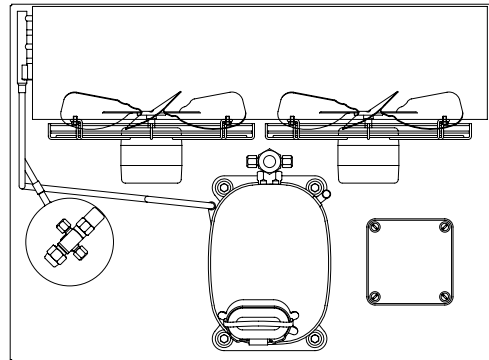
5A



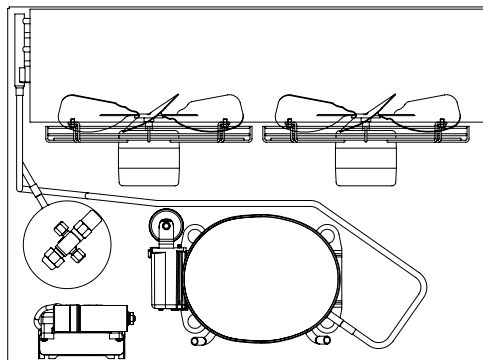
6A



6B



6C



Packaging

Single Box

	Range	Box dimensions			Pallet dimensions	
		Length	Width	Height	Length	Width
Compressors	D	257	172	145/160	1010	1010
	L & P	300	192	167/185/198/214	1200	1050
	X & P (w/ connecting box)	320	192	222	1050	1050
	X	347	207	230	1050	1050
	S	282	215	363	1010	1010
Condensing Units	UC2	484	380	260	1200	1050
	UC4	556	442	302	1360	1150
	UC5/UC6	577	537	345/440	1160	1100
	2F280	670	500	280	1360	1150
	2F335	670	500	335	1360	1150
	Hauser	650	350		1360	1150

Tray

	Range	Tray dimensions		Pallet dimensions	
		Length	Width	Length	Width
Compressors	D	1010	1010	1010	1010
	L & P	1060	990	1050	1050
	X	1050	1020	1050	1050
	S	1050	1050	1050	1050
Condensing Units	UC2	374	290	1200	1050
	L/P esp	360	310	1200	1050
	L/P esp	350	270	1200	1050

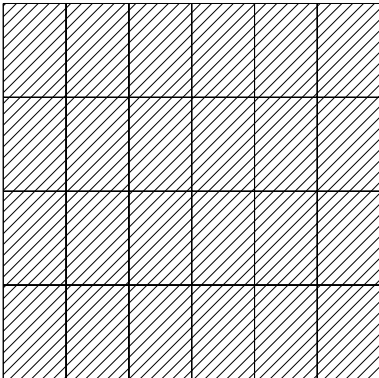
Quantities by Pallet

Range	Tray			Single Box		
	Qty / Level	Nº Levels	Qty / Pallet	Qty / Level	No. Levels	Qty / Pallet
D	24	5	120	24	5	120
L	24	5	120	20	5	100
P	24	5	120	20	5	100
P w/ connecting Box	24	5	120	16	4	64
X	17	4	68	16	4	64
X w/ connecting Box	17	4	68	15	4	60
S	24	2	48	16	3	48

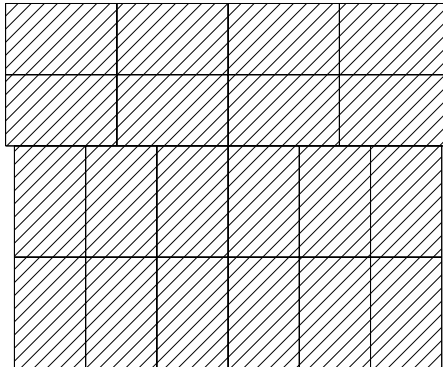
Pallet Product Layout

Single Box Pallet Distribution

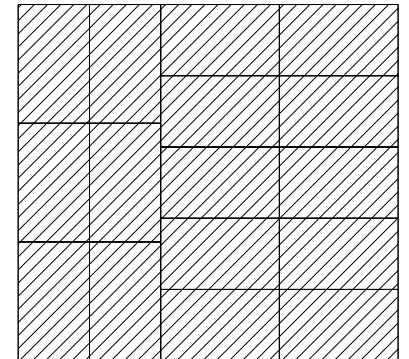
D Range



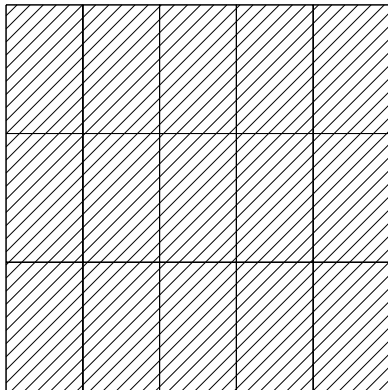
L & P Ranges



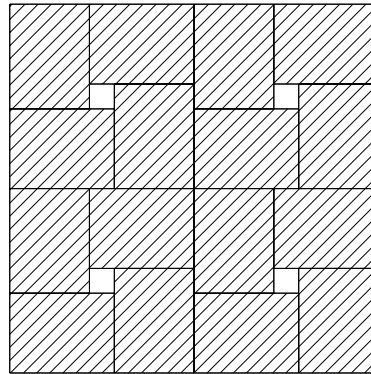
P Range with connecting box and X Range



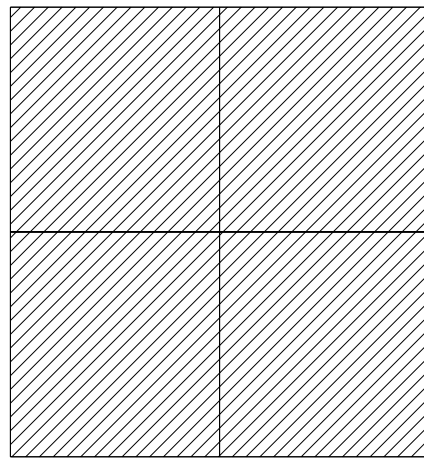
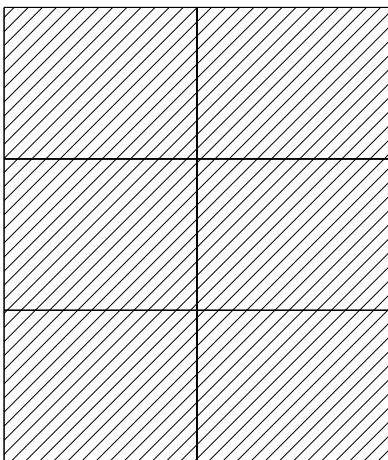
X Range with connecting box



S Range

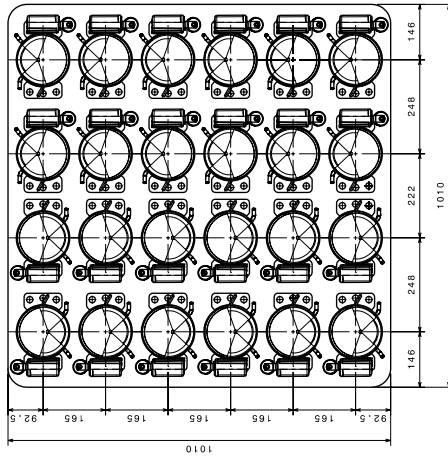


Condensing Units Box Pallet Distribution

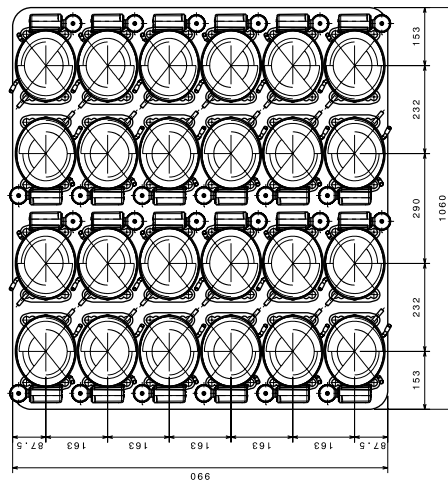


Tray per Pallet

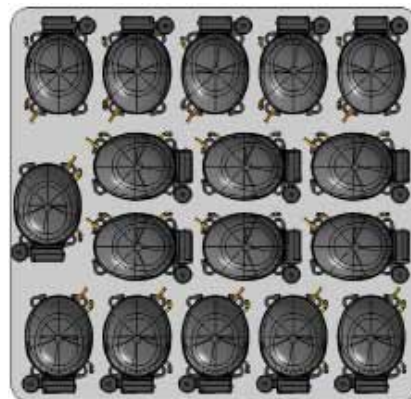
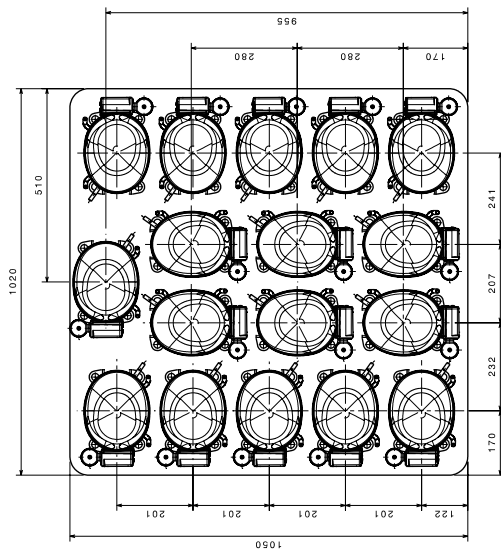
D compressor tray distribution



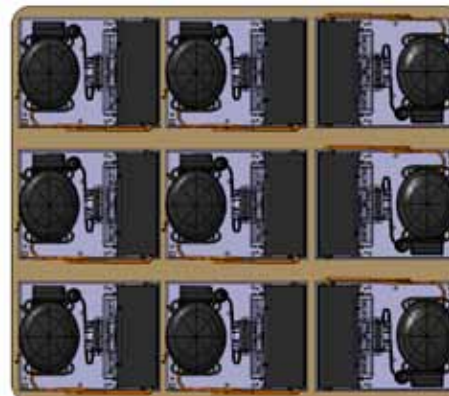
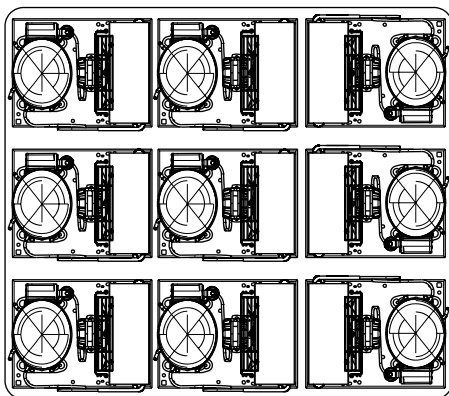
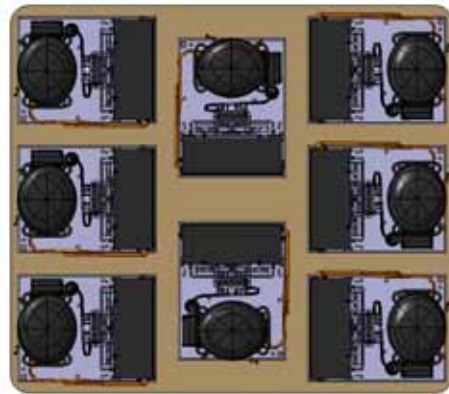
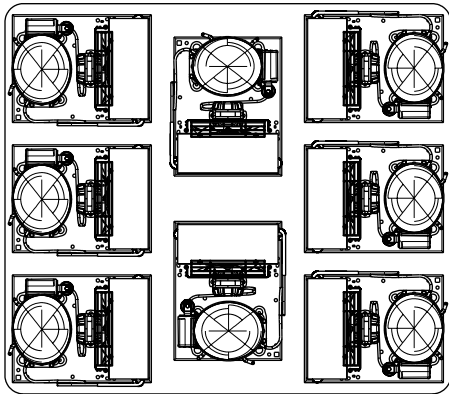
L and P compressor tray distribution



X compressor tray distribution



Condensing Units Pallet Distribution

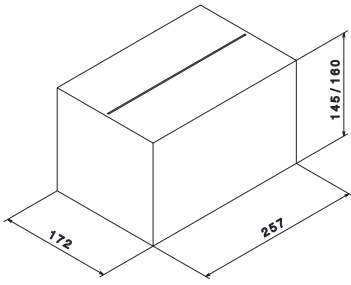


Pallet label

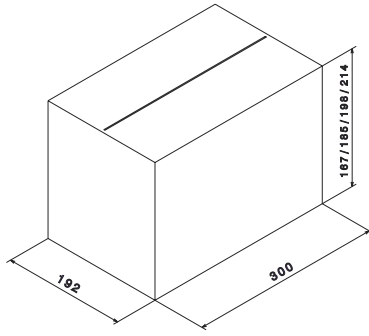
Receiver COSTUMER		Customer 00000	
Work Order 000000		Supplier name HUAYI COMPRESSOR	
Part Name(P) 000000 		0000 A00 / MUELLE 000000 DD.MM.YYYY 00:00	
Quantity(Q) 000,000 UN 		Description ABCD AB00CD AB00 AB-C ABC	
Supplier ID(V)		Date DD/MM/YYYY	Drawing number
Pallet number 0000000000 		Part number barcode 	

Single Boxes Drawings

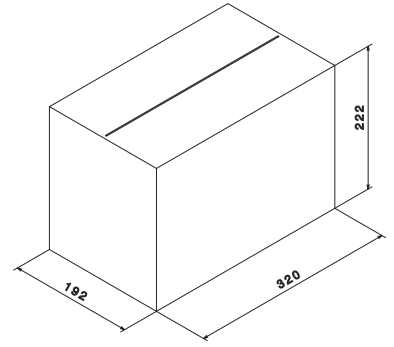
D Range



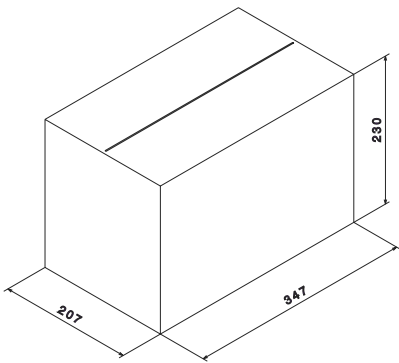
L & P Ranges



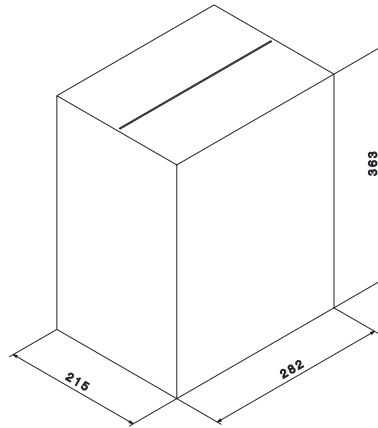
P / X Range



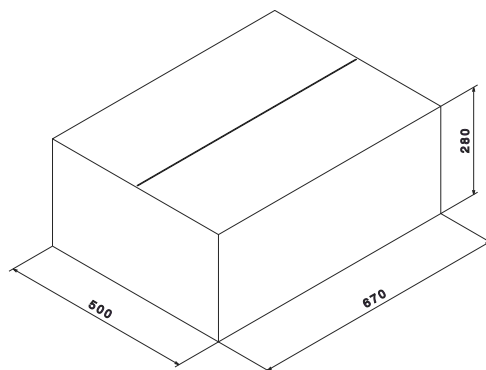
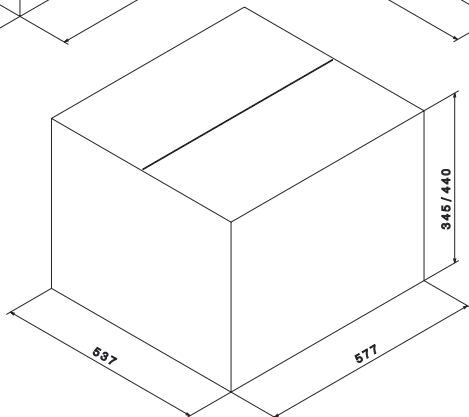
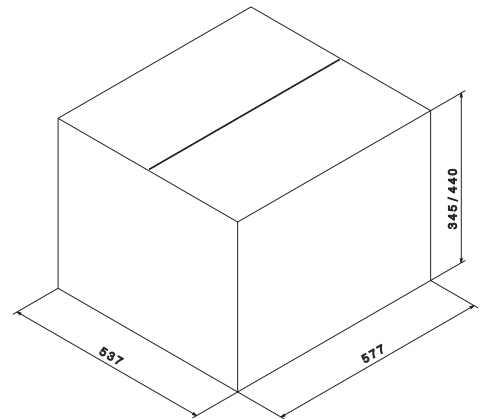
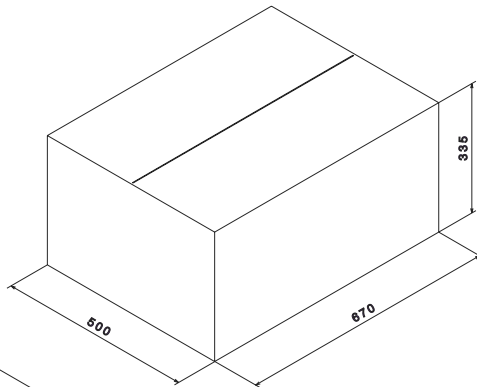
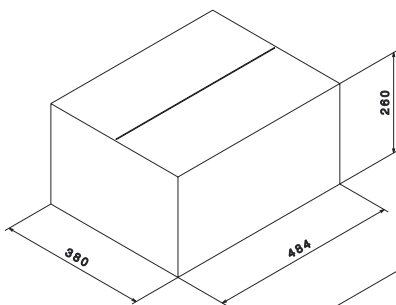
X Range with connecting box

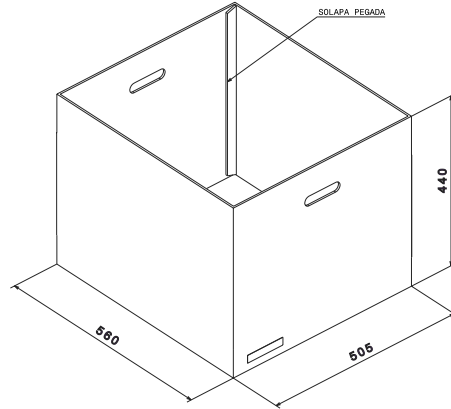
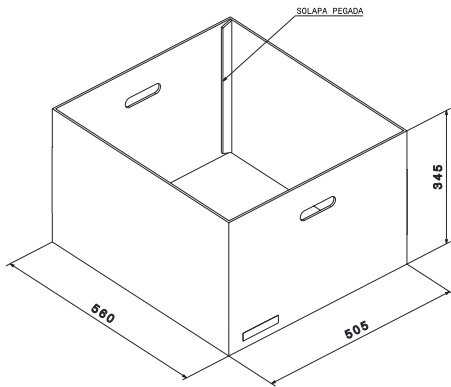
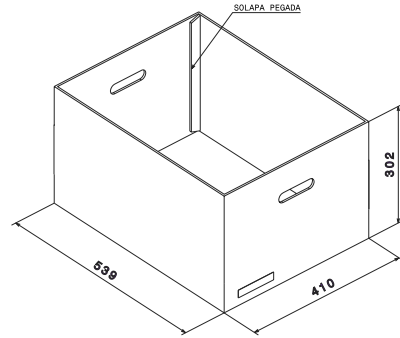
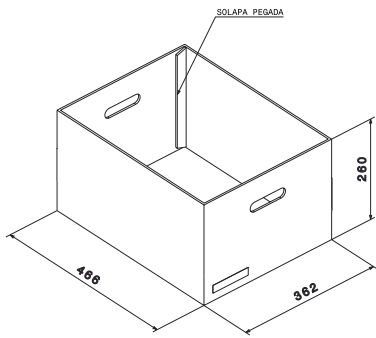


S Range



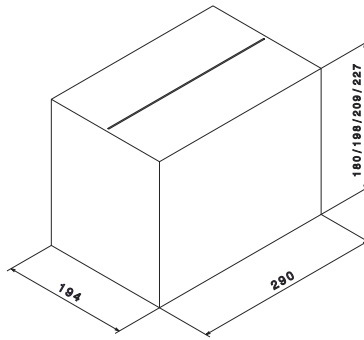
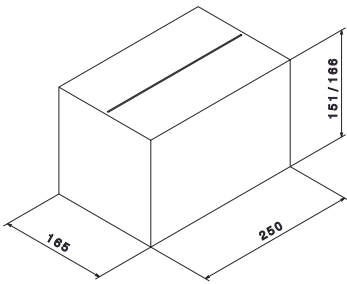
Condensing Units



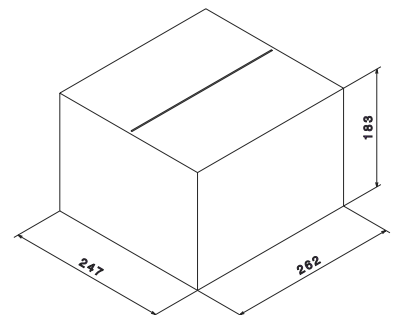
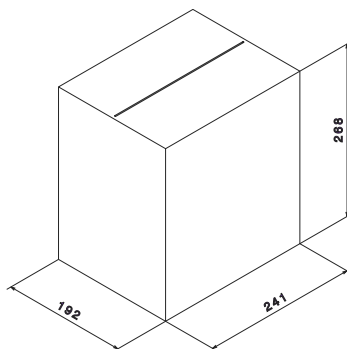
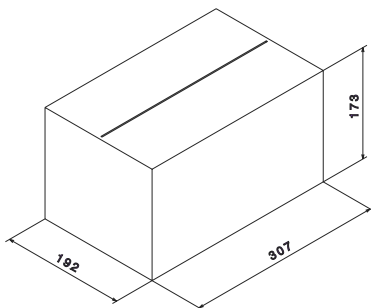


GD30FDC Compressor

GLT80TDC Compressor



GD30FDC Condensing Units



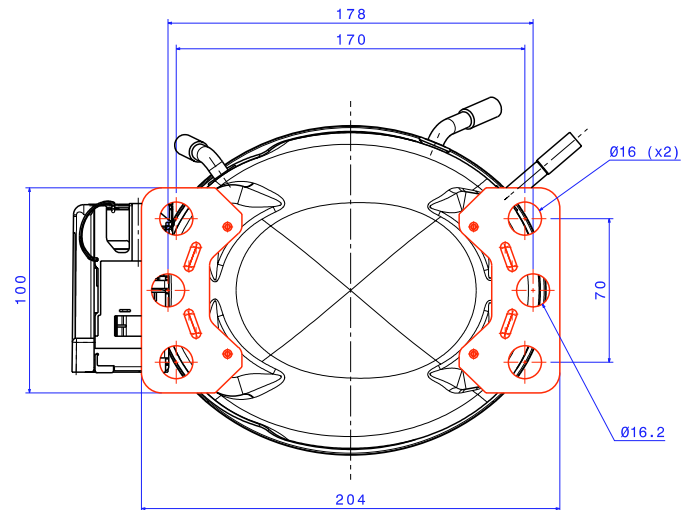
Fittings

Fittings allow the manufacturer of appliances to fix the compressor to the appliance base, connecting it to the cooling system

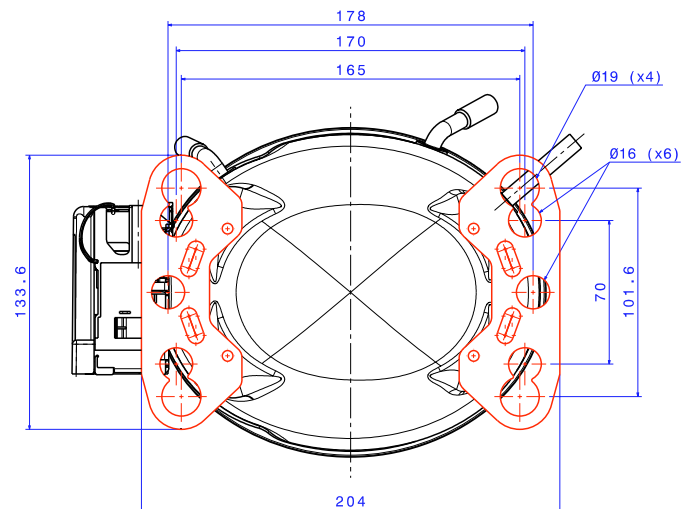
Mounting feet

Range	Mounting feet	
D / L / P	European type Set of 4 holes of 16.5 mm DIA with inter-axes: 70 x 170 mm	American type Two sets of 4 holes: 1.- Set of 16.5 mm DIA with inter-axes: 70 x 170 mm 2.- Set of 3/4 inch (19 mm) DIA with inter-axes: 4 x 6 1/2 inch (101.6 x 165 mm)
X	One set of 4 holes of 19 mm (3/4 inch) DIA with inter-axes: 114.3 x 178 mm (4 1/2 x 7 inch)	
S	One set of 4 holes of 19 mm (3/4 inch) DIA with inter-axes: 122.2 x 200.2 mm (4 13/16 x 7 7/8 inch)	

European mounting feet



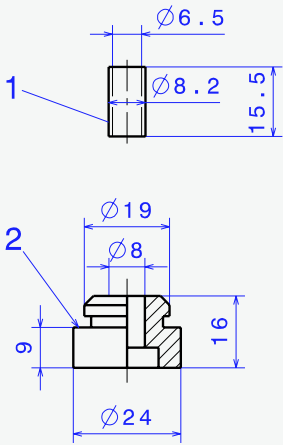
American mounting feet



Silent Blocks

STANDARD

D.16 holds net (170x70)

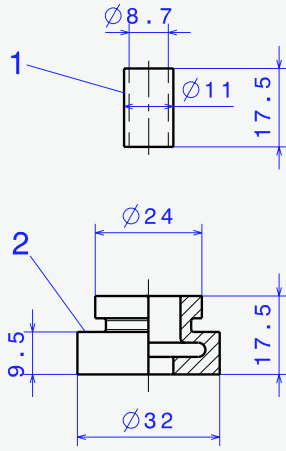


1. Mounting sleeve



AMERICAN FEET

D.19 holds net (165x101.6)

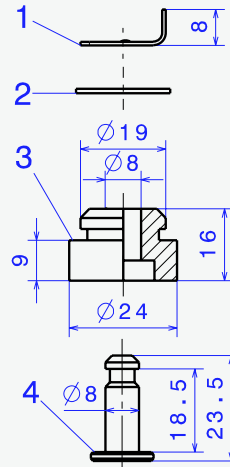


2. Silent Block



SNAP-ON

D.16 holds net (170x70)



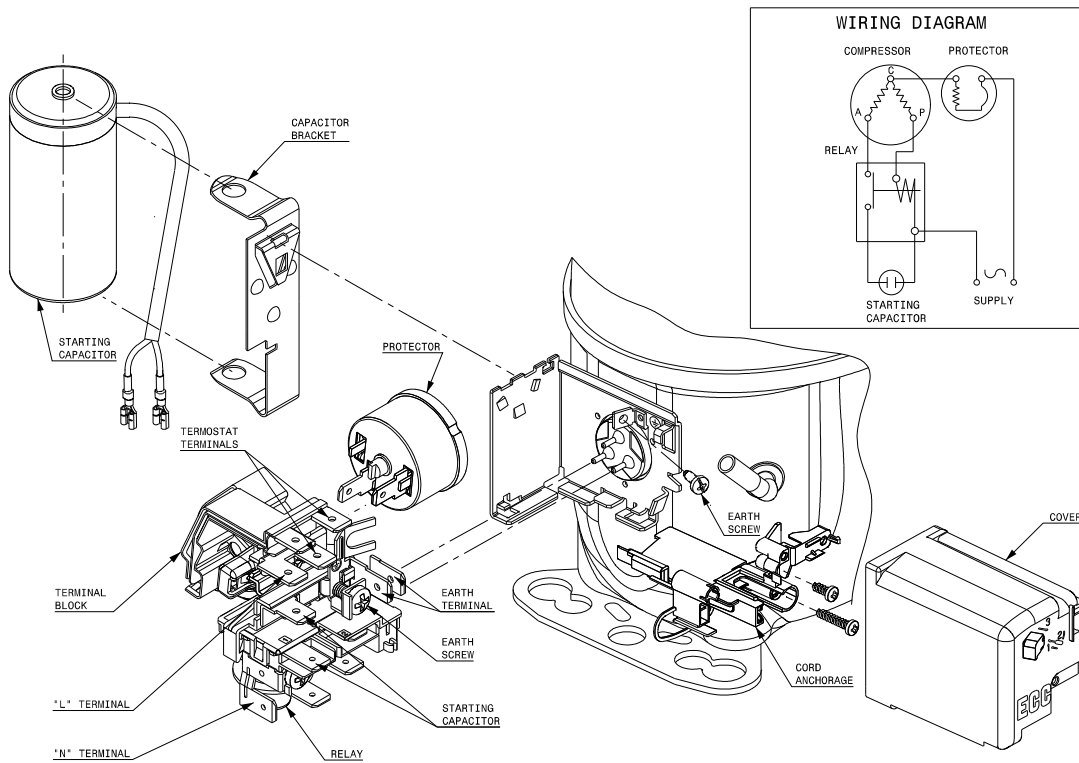
1. Clip

3. Silent Block

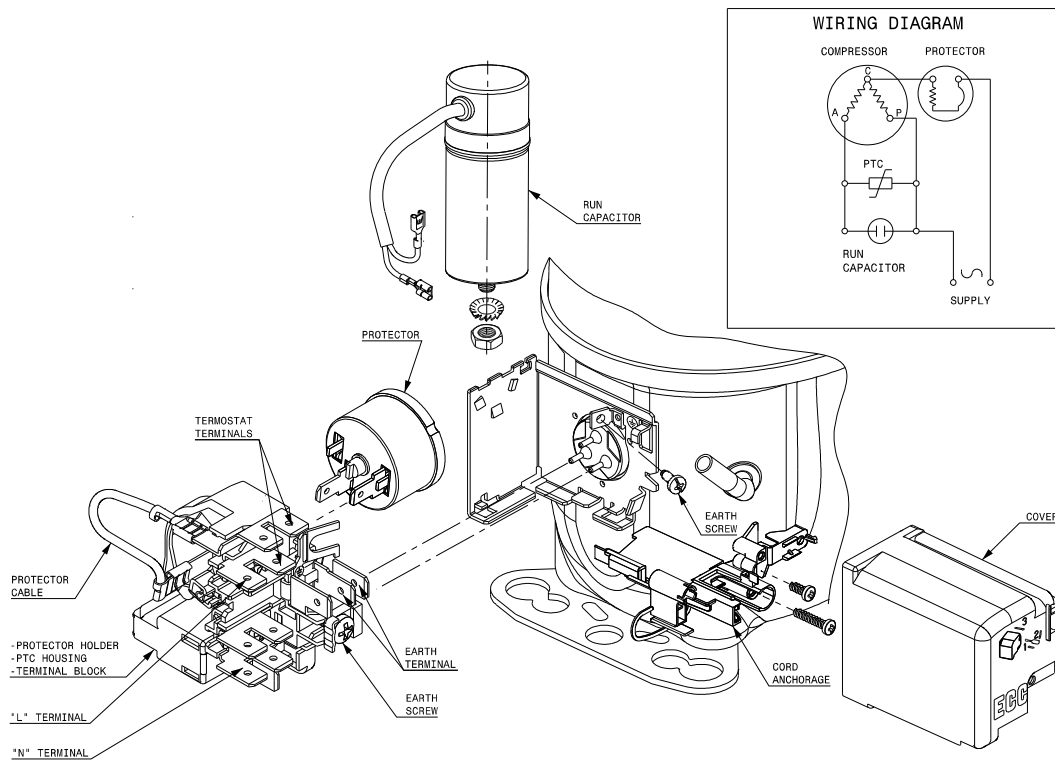


Wiring Diagrams and Electrical Assembly

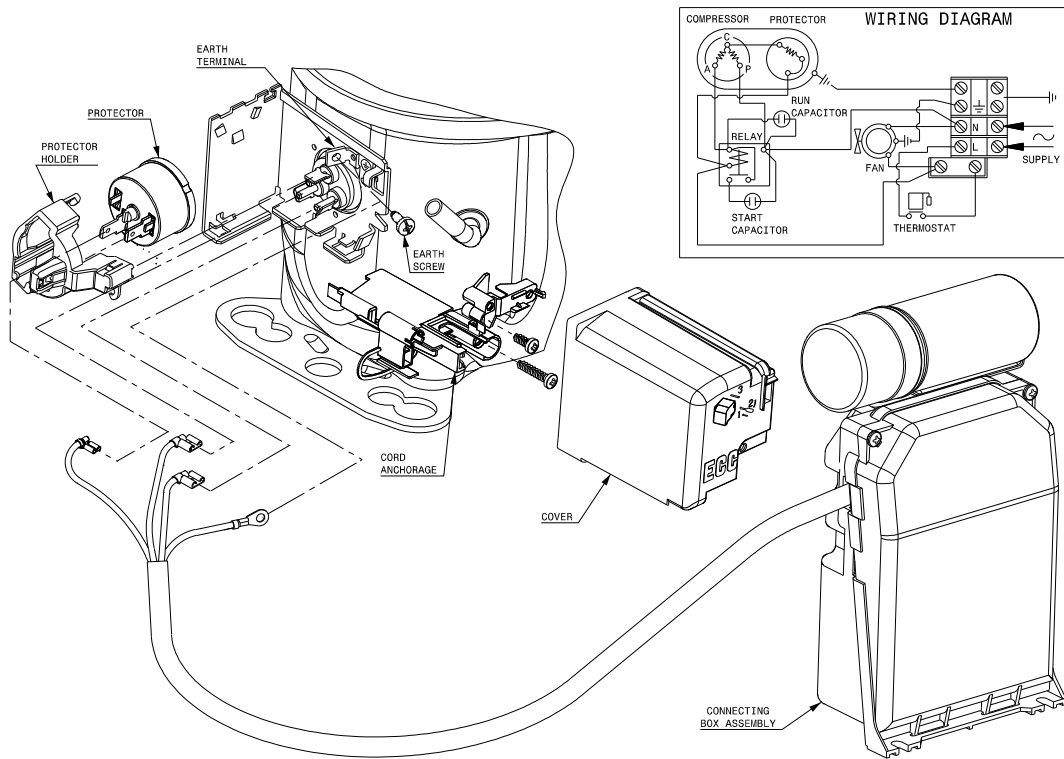
CSIR CONNECTION



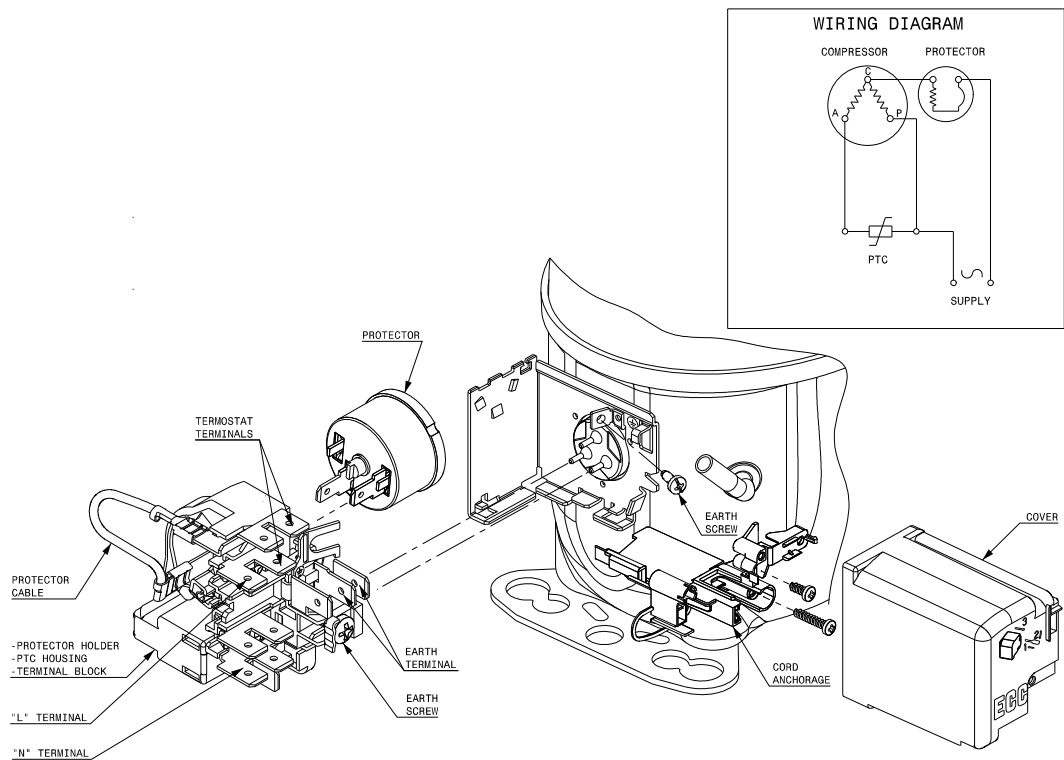
RSCR CONNECTION



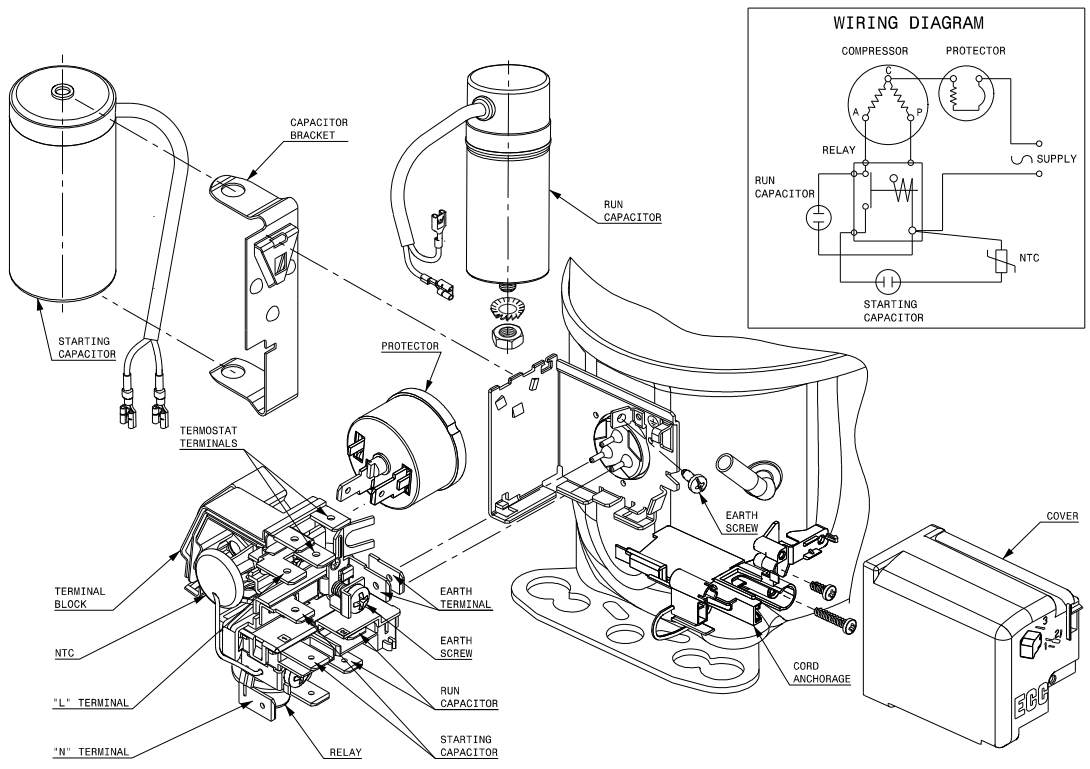
CSR CONNECTION (P,X)



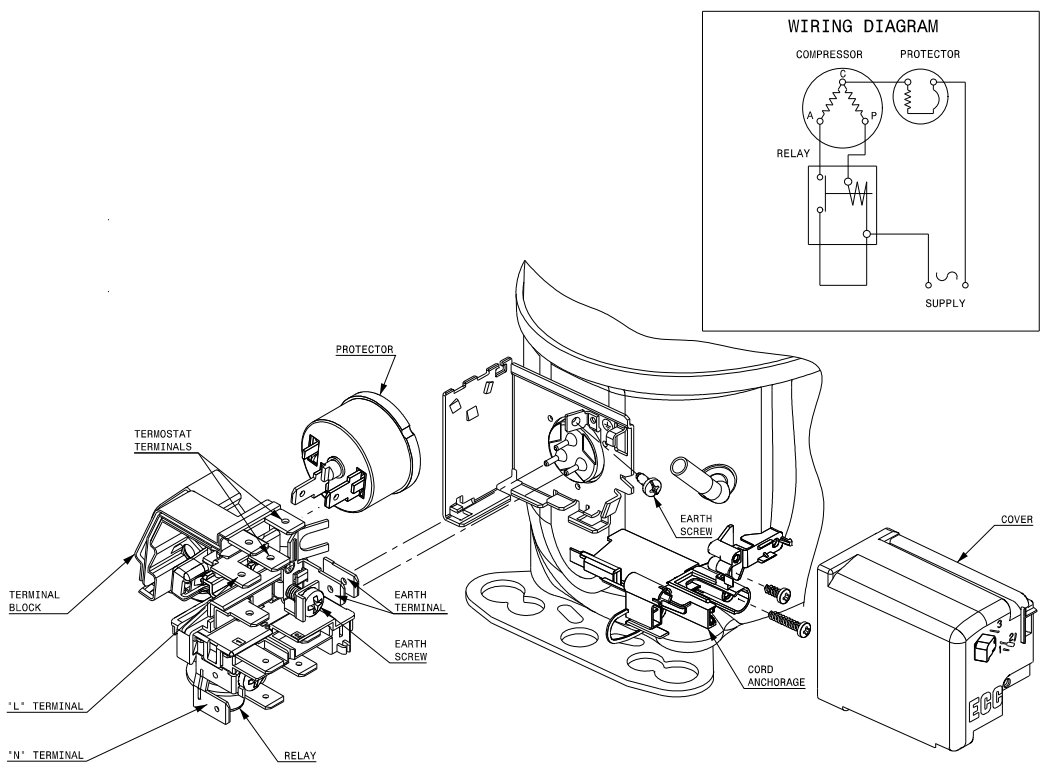
RSIR CONNECTION (PTC)



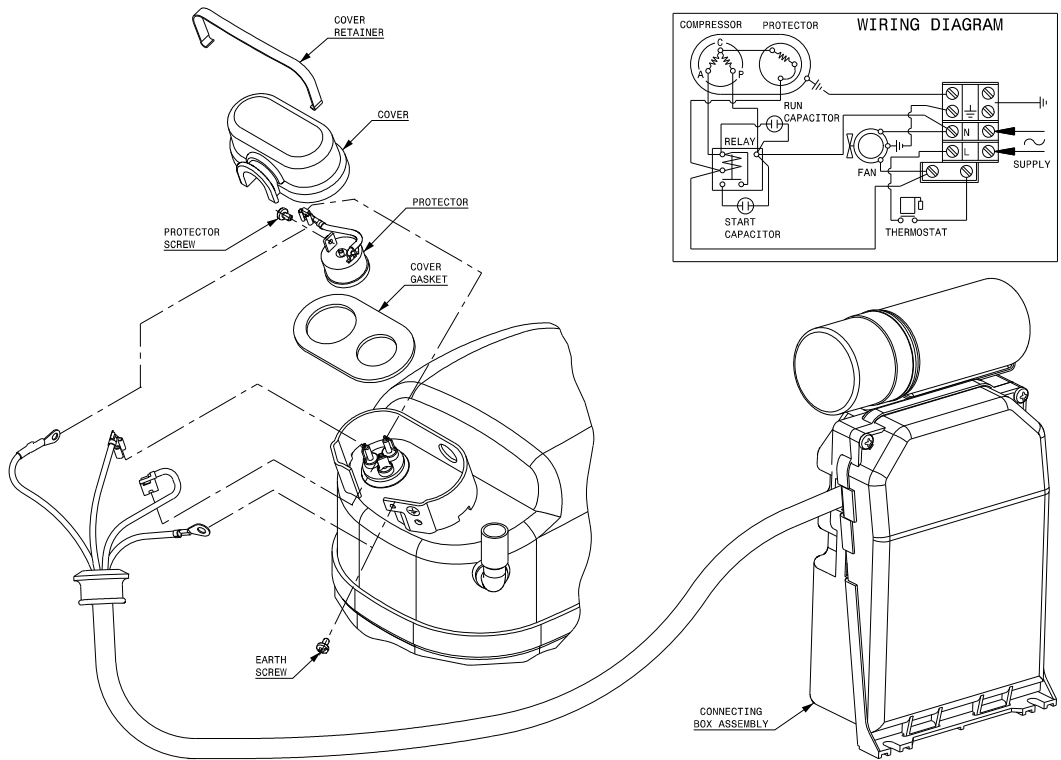
CSR CONNECTION (RELE+NTC)



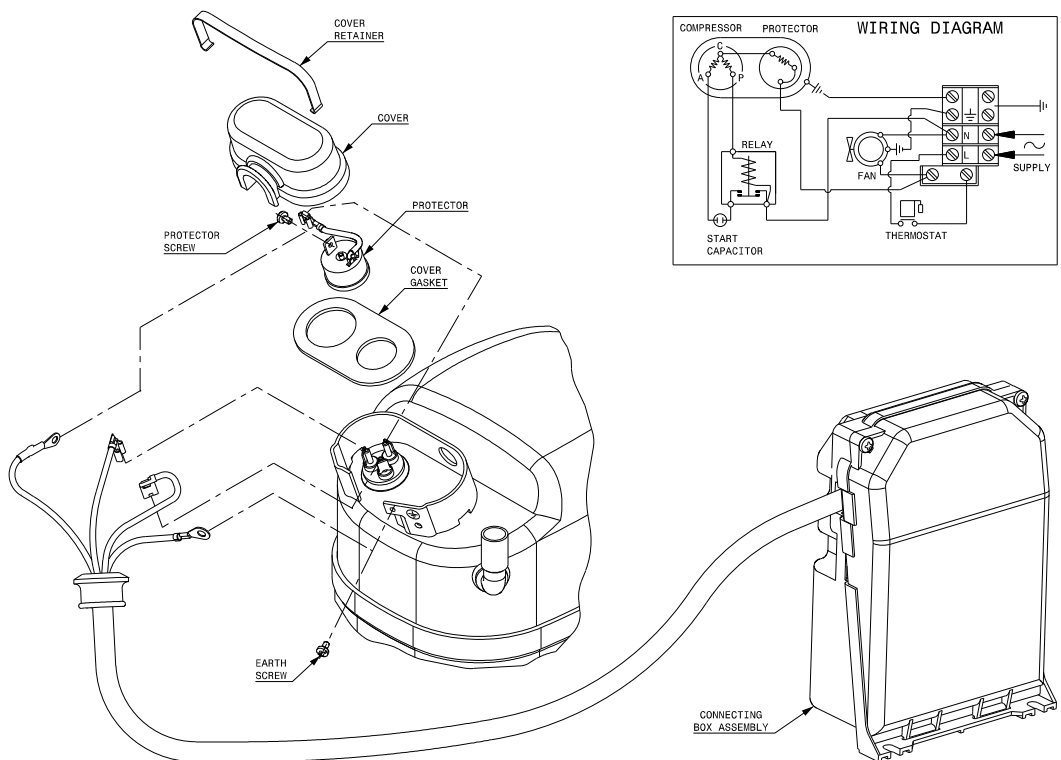
RSIR CONNECTION (RELAY)



CSR CONNECTION (S)



CSIR CONNECTION (S)



3PH CONNECTION

