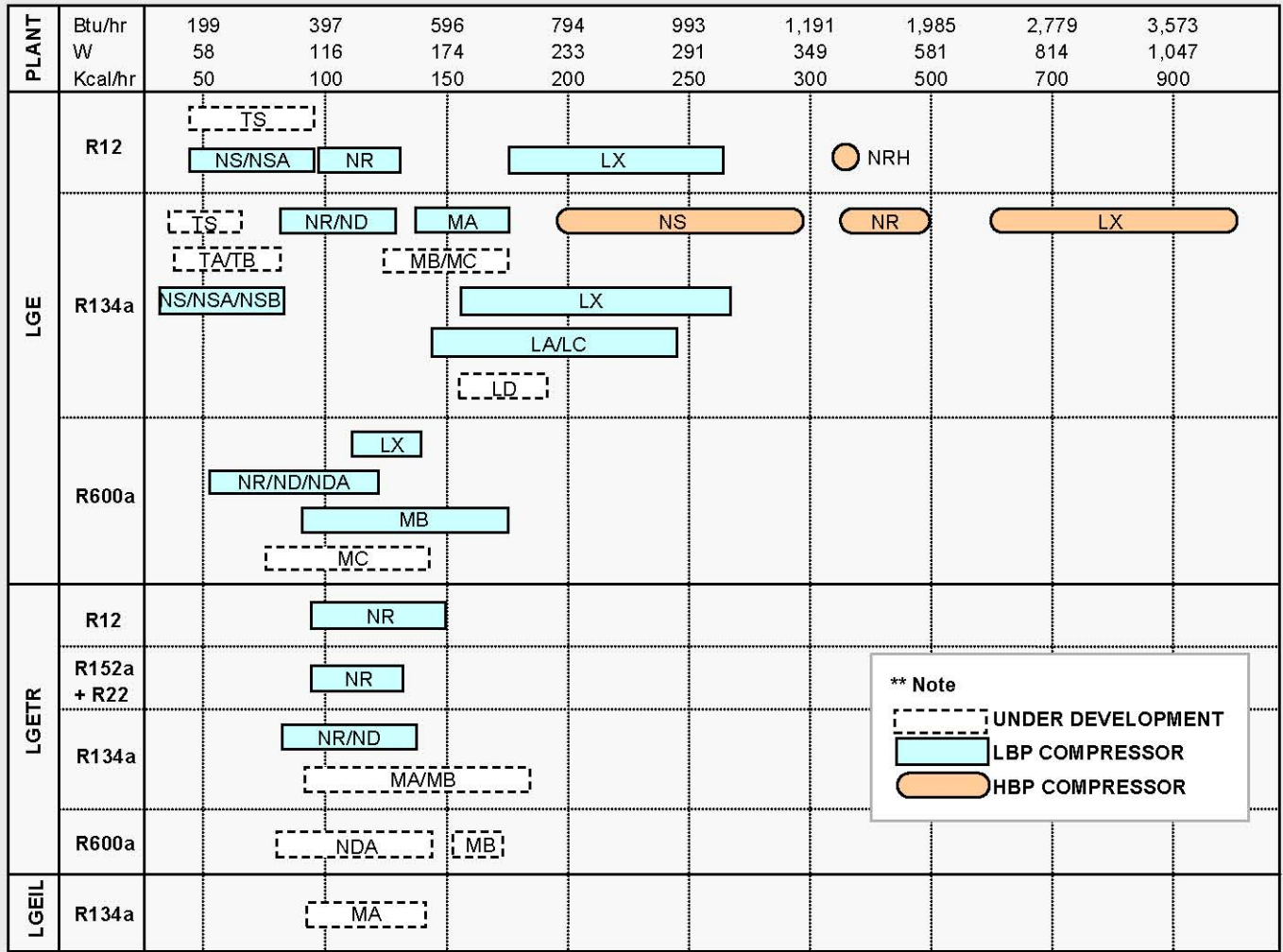




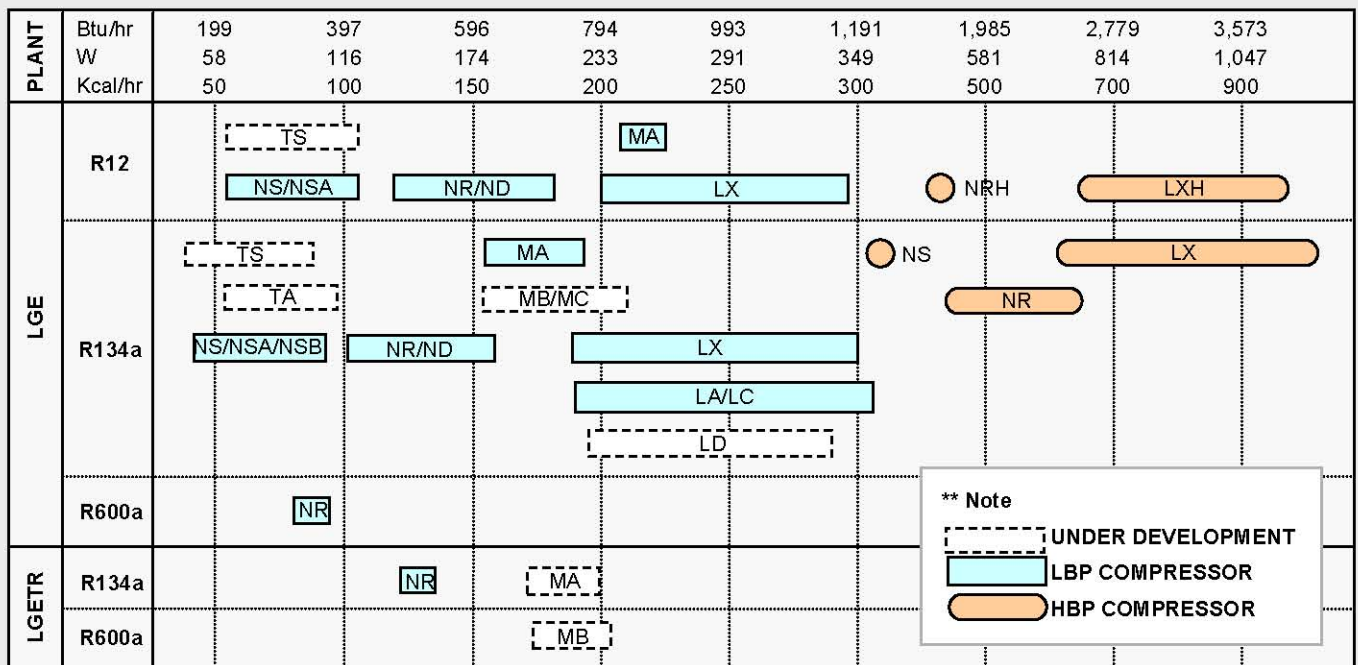
LG Refrigeration Compressor

**Refrigeration Compressor Division
Digital Appliance Company
LG Electronics Inc.**

50Hz @ ASHRAE



60Hz @ ASHRAE



<R12 compressor label>



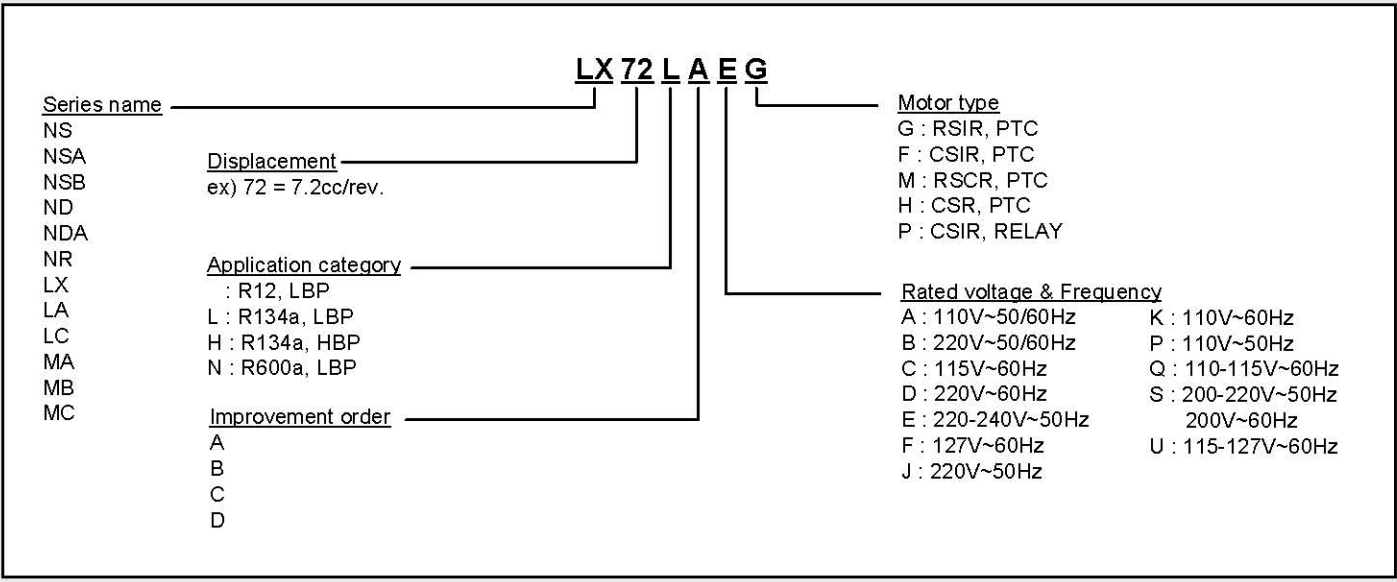
<R134a compressor label>



<R600a compressor label>

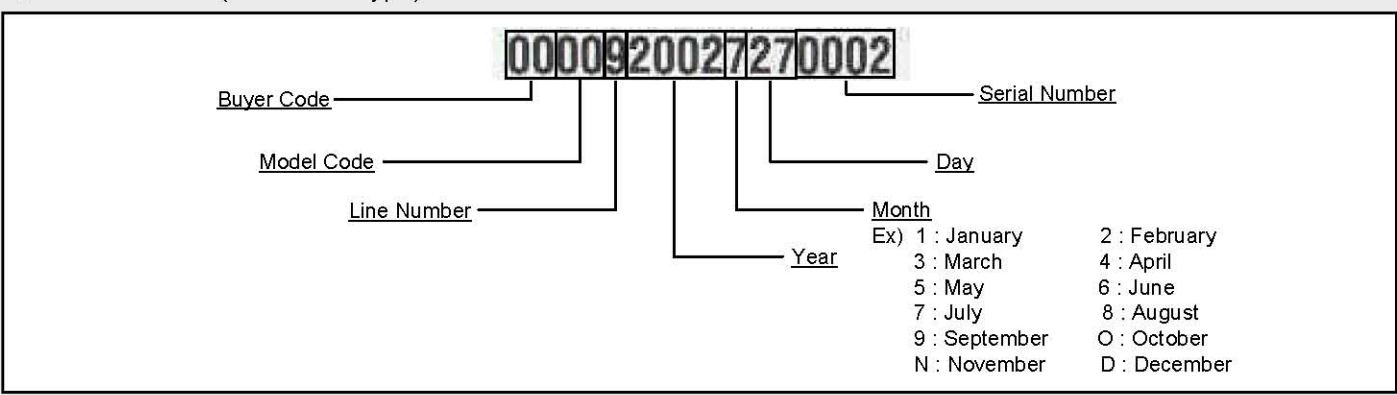


① Compressor model



② Rated voltage and frequency

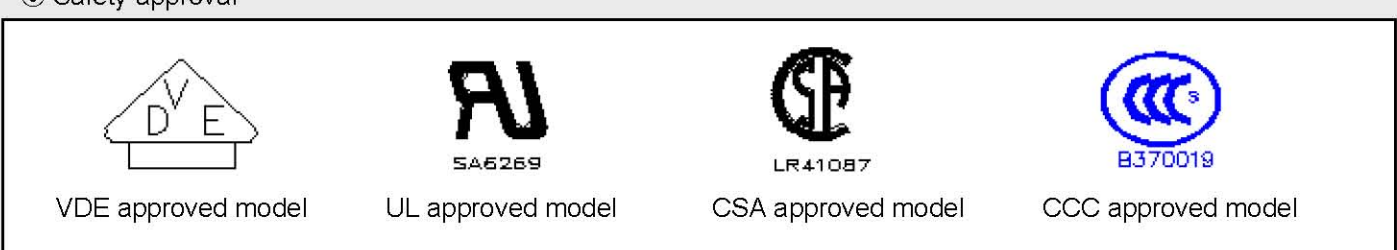
③ Serial number (Barcode 39type)



④ Locked rotor ampere or Input power

⑤ Refrigerant designation

⑥ Safety approval



Compressor Designation (LGETR)

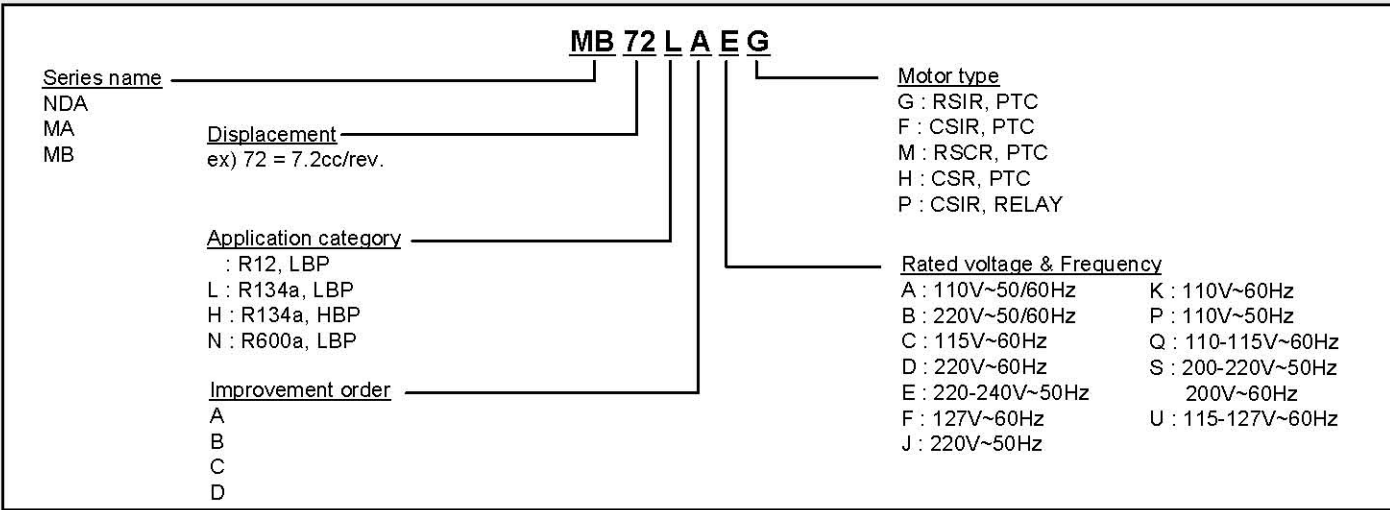
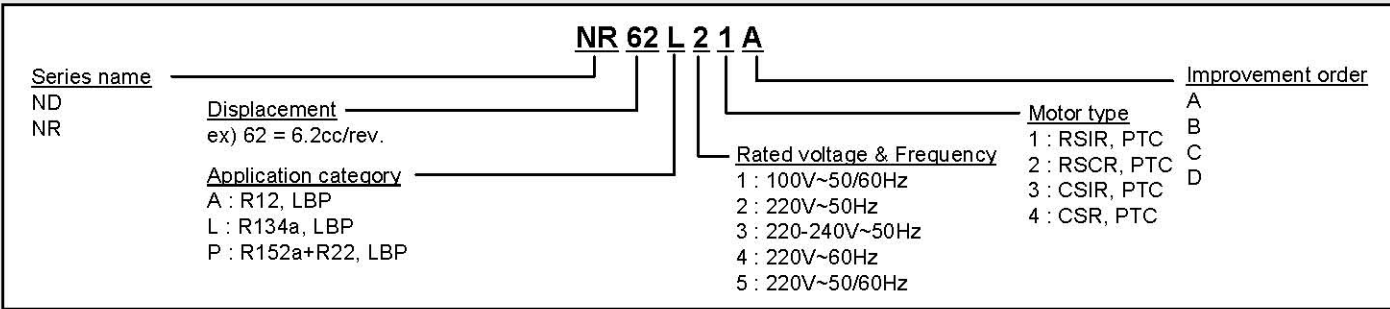
<R12 compressor label>



<R134a compressor label>

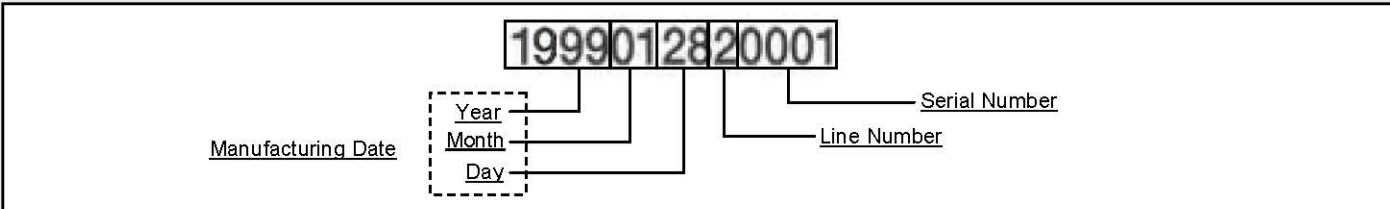


① Compressor model



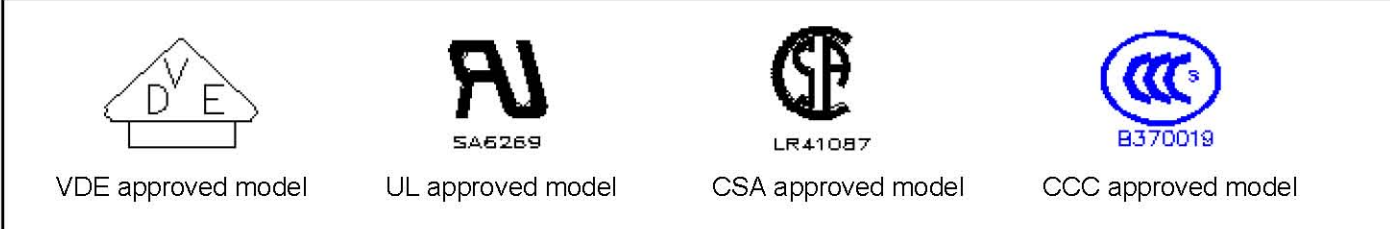
② Rated voltage and frequency

③ Serial number (Barcode 39type)



④ Refrigerant designation

⑤ Safety approval



* : UNDER DEVELOPMENT

APPLICATION	VOLTAGE	FREQUENCY	MODEL	DISPLACEMENT	PERFORMANCE											
					50Hz @ ASHRAE					60Hz @ ASHRAE						
					CAPACITY (-23.3℃)			CONSUMPTION POWER		EER	CAPACITY (-23.3℃)			CONSUMPTION POWER		EER
					cc	kcal/h	w	Btu/h	w	Btu/w·h	kcal/h	w	Btu/h	w	Btu/w·h	
LBP	220	50	NS24AJG	2.42	45	52	179	80	2.23							
			NSA43AJG	4.29	96	112	381	117	3.26							
			TS24AJG	2.44	45	52	179	80	2.23							
			TS43AJG	4.24	96	112	381	117	3.26							
			LX110AJM	11.03	265	308	1052	257	4.09							
	220-240	50	NS30AEG	3.05	64	74	254	83	3.06							
			NS36AEG	3.58	74	86	294	92	3.19							
			TS30AEG	3.05	64	74	254	83	3.06							
			TS36AEG	3.61	74	86	294	92	3.19							
			NR45AEG	4.50	97	113	385	120	3.21							
			NR52AEG	5.19	121	141	480	138	3.48							
			NR62AEG	6.23	152	177	603	162	3.72							
			NR62CEG	6.23	150	174	596	167	3.57							
			NR62DEG	6.23	138	160	548	153	3.58							
			LX72AEG	7.22	175	203	695	178	3.90							
			LX86AEG	8.56	215	250	854	213	4.01							
			LX110ABH	11.03	265	308	1052	250	4.21							
			110-115	60	NS30AQG	3.05							74	86	294	106
	NS36AQG	3.58									88	102	349	113	3.09	
	TS30AQG	3.05									74	86	294	106	2.77	
	TS36AQG	3.61									88	102	349	113	3.09	
	NR45AQG	4.50									120	140	476	137	3.48	
	NR52AQG	5.19									134	156	532	152	3.50	
	LX67AQG	6.66							200	233	794	195	4.07			
	115	60	NS24ACG	2.42							53	62	210	79	2.66	
			NS24BCG	2.42							56	65	222	73	3.05	
			NS30ACG	3.05							74	86	294	95	3.09	
			TS24ACG	2.44							53	62	210	79	2.66	
			TS24BCG	2.44							56	65	222	73	3.05	
	TS30ACG	3.05							74	86	294	95	3.09			
	127	60	NS24AFG	2.42							53	62	210	81	2.60	
			NS30AFG	3.05							74	86	294	95	3.09	
			NS36AFG	3.58							88	102	349	113	3.09	
			TS24AFG	2.44							53	62	210	81	2.60	
			TS30AFG	3.05							74	86	294	95	3.09	
			TS36AFG	3.61							88	102	349	113	3.09	
			NR45AFG	4.50							120	140	476	132	3.61	
			NR52AFG	5.19							143	166	568	153	3.71	
			NR62AFG	6.23							175	203	695	195	3.56	
			LX72AFG	7.22							225	262	893	210	4.25	
	LX86AFG	8.56							260	302	1032	235	4.39			
	LX110AFH	11.03							295	343	1171	300	3.90			
	220	60	NS24ADG	2.42							53	62	210	80	2.63	
			NS24BDG	2.42							56	65	222	73	3.05	
			NS24CDG	2.42							56	65	222	89	2.50	
			NS30ADG	3.05							76	88	302	99	3.05	
			NS36ADG	3.58							83	97	330	106	3.11	
			NSA24BDG	2.42							63	73	250	80	3.13	
			NSA43ADG	4.29							108	126	429	123	3.49	
			TS24ADG	2.44							53	62	210	80	2.63	
			TS24BDG	2.44							56	65	222	73	3.05	
			TS24CDG	2.44							56	65	222	89	2.50	
			TS30ADG	3.05							76	88	302	99	3.05	
			TS36ADG	3.61							83	97	330	106	3.11	
			TS43ADG	4.24							108	126	429	123	3.49	
			NR45ADM	4.50							120	140	476	119	4.00	
			NR45ADG	4.50							120	140	476	132	3.61	
			NR52ADM	5.19							143	166	568	146	3.89	
			NR52ADG	5.19							143	166	568	153	3.71	
			NR62ADM	6.23							178	207	707	177	3.99	
			ND45ADM	4.50							129	150	512	113	4.53	
			ND52ADM	5.19							154	179	611	136	4.50	
			ND52ADG	5.19							154	179	611	154	3.97	
			ND58ADG	5.90							183	213	727	171	4.25	
			NA58ADM	5.90							180	209	715	150	4.76	
			NA58BDM	5.90							176	205	699	159	4.39	
			MA72FDP	7.22							220	256	873	205	4.26	
			MA72FDG	7.22							220	256	873	205	4.26	
			LX72FDP	7.22							210	244	834	205	4.07	
			LX86ADP	8.56							260	302	1032	235	4.39	
			LX86FDP	8.56							252	293	1000	235	4.26	
			LX110ADP	11.03							295	343	1171	325	3.60	
			LX110FDP	11.03							295	343	1171	325	3.60	
			LX110ADH	11.03							295	343	1171	300	3.90	

Performance Datasheet (LGE) : R12

* : UNDER DEVELOPMENT

APPLICATION	VOLTAGE	FREQUENCY	MODEL	MOTOR TYPE	ELECTRICAL PARTS				OIL		COOLING TYPE	NET WEIGHT		
					STARTING DEVICE	MOTOR PROTECTOR	CAPACITOR		VISCOSITY	Q'TY				
	MFD/V AC	MFD/V AC					cSt	cc				kg		
LBP	220	50	NS24AJG	RSIR	P220MC	4TM149NFB			22	180	ST	5.8		
			NSA43AJG	RSIR	P220MC	4TM232NFB			22	180	ST	6.4		
			TS24AJG	RSIR					15	160	ST	5.3		
			TS43AJG	RSIR					15	160	ST	6.4		
			LX110AJM	RSCR	F470MD	4TM265VFB		4/400	22	310	FC or OC	11.2		
	220-240	50	NS30AEG	RSIR	F330MC	4TM158RFB			22	180	ST	6.4		
			NS36AEG	RSIR	F330MC	4TM158RFB			22	180	ST	6.4		
			TS30AEG	RSIR					15	160	ST	5.3		
			TS36AEG	RSIR					15	160	ST	5.3		
			NR45AEG	RSIR	P220MC	4TM166RFB			22	210	ST	8.3		
			NR52AEG	RSIR	P220MC	4TM232NFB			22	210	ST	8.3		
			NR62AEG	RSIR	F330MC	4TM213SFB			22	210	ST	8.8		
			NR62CEG	RSIR	F330MC	4TM232VFB			22	210	ST	8.8		
			NR62DEG	RSIR	F330MC	4TM232VFB			22	210	ST	8.8		
			LX72AEG	RSIR	F470MC	4TM734UFB			22	310	FC or OC	10.9		
			LX86AEG	RSIR	F470MC	4TM734UFB			22	310	FC or OC	11.2		
			LX110ABH	CSR	F470MB	4TM293RFB		30/300	22	310	FC or OC	11.2		
			110-115	60	NS30AQG	RSIR	F3R9MC	4TM276VFB			22	180	ST	6.4
					NS36AQG	RSIR	F3R9MC	4TM276VFB			22	180	ST	6.4
					TS30AQG	RSIR					15	160	ST	5.3
	TS36AQG	RSIR							15	160	ST	5.3		
	NR45AQG	RSIR			F6R8MC	4TM412RFB			22	210	ST	8.3		
	115	60	NR52AQG	RSIR	F6R8MC	4TM412RFB			22	210	ST	8.3		
			LX67AAG	RSIR	F6R8MC	4TM445VFB			22	310	FC or OC	10.9		
			NS24ACG	RSIR	F6R8MC	4TM232NFB			22	180	ST	5.8		
			NS24BCG	RSIR	F6R8MC	4TM222KFB			22	180	ST	5.8		
			NS30ACG	RSIR	F6R8MC	4TM265RFB			22	180	ST	6.4		
	127	60	TS24ACG	RSIR					15	160	ST	5.3		
			TS24BCG	RSIR					15	160	ST	5.3		
			TS30ACG	RSIR					15	160	ST	5.3		
			NS24AFG	RSIR	F6R8MC	4TM213SFB			22	180	ST	5.8		
			NS30AFG	RSIR	F6R8MC	4TM232TFB			22	180	ST	6.4		
			NS36AFG	RSIR	F6R8MC	4TM276VFB			22	180	ST	6.4		
			TS24AFG	RSIR					15	160	ST	5.3		
			TS30AFG	RSIR					15	160	ST	5.3		
			TS36AFG	RSIR					15	160	ST	5.3		
			NR45AFG	RSIR	F6R8MC	4TM314TFB			22	210	ST	8.3		
	220	60	NR52AFG	RSIR	F6R8MC	4TM412RFB			22	210	ST	8.3		
			NR62AFG	RSIR	F6R8MC	4TM419TFB			15	210	ST	8.8		
			LX72AFG	RSIR	F6R8MC	4TM419TFB			22	310	FC or OC	10.9		
			LX86AFG	RSIR	F6R8MC	4TM444RFB			22	310	FC or OC	11.2		
			LX110AFH	CSR	P220MB	4TM444RFB		100/160	14/220	22	310	FC or OC	11.2	
			NS24ADG	RSIR	P220MC	4TM149NFB			22	180	ST	5.8		
			NS24BDG	RSIR	P220MC	4TM149NFB			22	180	ST	5.8		
			NS24CDG	RSIR	P220MC	4TM158RFB			22	180	ST	5.8		
			NS30ADG	RSIR	P220MC	4TM222KFB			22	180	ST	6.4		
			NS36ADG	RSIR	P220MC	4TM222KFB			22	180	ST	6.4		
	NSA24BDG	RSIR	P220MC	4TM149NFB			22	180	ST	6.4				
	NSA43ADG	RSIR	P220MC	4TM232NFB			22	180	ST	6.4				
	TS24ADG	RSIR					15	160	ST	5.3				
TS24BDG	RSIR					15	160	ST	5.3					
TS24CDG	RSIR					15	160	ST	5.3					
TS30ADG	RSIR					15	160	ST	5.3					
TS36ADG	RSIR					15	160	ST	5.3					
TS43ADG	RSIR					15	160	ST	6.4					
NR45ADM	RSCR	P220MD	4TM149NFB		4/300	15	210	ST	8.3					
NR45ADG	RSIR	P220MC	4TM232NFB			15	210	ST	8.3					
NR52ADM	RSCR	P220MD	4TM232NFB		4/300	15	210	ST	8.3					
NR52ADG	RSIR	P220MC	4TM232TFB			15	210	ST	8.3					
NR62ADM	RSCR	F330MD	4TM265RFB			15	210	ST	8.8					
ND45ADM	RSCR	F330MD	4TM149NFB		3/400	22	210	ST	8.8					
ND52ADM	RSCR	F330MD	4TM232NFB		3/400	22	210	ST	8.8					
ND52ADG	RSIR	F330MC	4TM232TFB			22	210	ST	8.8					
ND58ADG	RSIR	F330MC	4TM232TFB			22	210	ST	8.8					
NA58ADM	RSCR	F330MD	4TM232NFB		3/400	15	210	ST	8.8					
NA58BDM	RSCR	F330MD	4TM265RFB		3/400	15	210	ST	8.8					
MA72PDP	CSIR	SC040	T0205		30/300	22	220	FC	9.1					
MA72PDG	RSIR	F470MC	4TM314TFB			22	220	FC	9.1					
LX72FDP	CSIR	SC040	T0205		30/300	22	310	FC or OC	10.9					
LX86ADP	CSIR	SC053	T0206		30/300	22	310	FC or OC	11.2					
LX86FDP	CSIR	SC053	T0205		30/300	22	310	FC or OC	11.2					
LX110ADP	CSIR	SC075	T0206		30/300	22	310	FC or OC	11.2					
LX110FDP	CSIR	SC075	T0206		30/300	22	310	FC or OC	11.2					
LX110ADH	CSR	F470MB	4TM412RFB		30/300	22	310	FC or OC	11.2					

* : UNDER DEVELOPMENT

APPLICATION	VOLTAGE	FREQUENCY	MODEL	DISPLACEMENT	PERFORMANCE											
					50Hz @ ASHRAE					60Hz @ ASHRAE						
					CAPACITY (-23.3℃)			CONSUMPTION POWER		EER	CAPACITY (-23.3℃)			CONSUMPTION POWER		EER
					cc	kcal/h	w	Btu/h	w	Btu/w h	kcal/h	w	Btu/h	w	Btu/w h	
LBP	220	50/60	NS36ABG	3.58	74	86	294	102	2.88	88	102	349	106	3.30		
			NS30ABG	3.05	64	74	254	86	2.95	78	91	310	93	3.33		
			NS24ABG	2.42	48	56	191	78	2.44	56	65	222	80	2.78		
			TS24ABG	2.44	48	56	191	78	2.44	56	65	222	80	2.78		
			TS30ABG	3.05	64	74	254	86	2.95	78	91	310	93	3.33		
			TS36ABG	3.61	74	86	294	102	2.88	88	102	349	106	3.30		
			NR45ABG	4.50	104	121	413	130	3.18	120	140	476	133	3.58		
			NR52ABM	5.19	121	141	480	135	3.56	143	166	568	146	3.89		
			NR52ABG	5.19	121	141	480	140	3.43	143	166	568	153	3.71		
			NR62ABG	6.23	150	174	596	160	3.72	175	203	695	185	3.76		
			LX72ABP	7.22	175	203	695	170	4.09	225	262	893	205	4.36		
			LX72ABG	7.22	175	203	695	170	4.09	225	262	893	205	4.36		
			LX86ABG	8.56	215	250	854	200	4.27	260	302	1032	235	4.39		
			LX110ABM	11.03	265	308	1052	260	4.05	310	360	1231	290	4.24		
				200-220,220	50/60	LX72ASG	7.22	175	203	695	170	4.09	225	262	893	205
HBP	220	50	NRH45AJG	4.50	310	360	1231	207	5.95							
				60	NRH45ADM	4.50						415	483	1648	230	7.16
			LXH110FCP		11.03						950	1105	3772	662	5.70	
			LXH86FDP		8.56						795	924	3156	472	6.69	
			LXH72FDG		7.22						695	808	2759	397	6.95	
			LXH72FDP		7.22						660	767	2620	385	6.81	

* : UNDER DEVELOPMENT

APPLICATION	VOLTAGE	FREQUENCY	MODEL	MOTOR TYPE	ELECTRICAL PARTS				OIL		COOLING TYPE	NET WEIGHT
					STARTING DEVICE	MOTOR PROTECTOR	CAPACITOR		VISCOSITY	Q'TY		kg
	STARTING	RUNNING										
	V	Hz			MFD/VAC	MFD/VAC	cSt	cc				
LBP	220	50/60	NS36ABG	RSIR	P220MC	4TM174TFB			22	180	ST	6.4
			NS30ABG	RSIR	P220MC	4TM149NFB			22	180	ST	6.4
			NS24ABG	RSIR	P220MC	4TM149NFB			22	180	ST	5.8
			TS24ABG	RSIR					15	160	ST	5.3
			TS30ABG	RSIR					15	160	ST	5.9
			TS36ABG	RSIR					15	160	ST	5.9
			NR45ABG	RSIR	P220MC	4TM232NFB			15	210	ST	8.3
			NR52ABM	RSCR	P220MD	4TM232NFB		4/300	15	210	ST	8.3
			NR52ABG	RSIR	P220MC	4TM232NFB			15	210	ST	8.3
			NR62ABG	RSIR	P330MC	4TM232VFB			15	210	ST	8.8
			LX72ABP	CSIR	SC053	T0205	30/300		22	310	FC or OC	10.9
			LX72ABG	RSIR	P470MC	4TM283RFB			22	310	FC or OC	10.9
			LX86ABG	RSIR	P470MC	4TM293RFB			22	310	FC or OC	11.2
			LX110ABM	RSCR	P470MD	4TM314TFB		5/400	22	310	FC or OC	11.2
				200-220,220	50/60	LX72ASG	RSIR	P470MC	4TM283RFB		22	310
HBP	220	60	NRH45AJG	RSIR	P220MC	4TM232TFB			22	210	FC	8.3
			NRH45ADM	RSCR	P220MD	4TM232NFB		4/300	22	210	FC	8.3
			LXH110PDP	CSIR	SC075	MRA12113-9012	30/300		22	310	FC	11.2
			LXH86PDP	CSIR	MTRP0060-15	4TM743UFB	30/300		22	310	FC	11.2
			LXH72PDP	RSIR	P470MC	4TM412RFB			22	310	FC	10.9
			LXH72PDP	CSIR	MTRP0060-15	4TM743UFB	30/300		22	310	FC	10.9

Performance Datasheet (LGE) : R134a

* : UNDER DEVELOPMENT

APPLICATION	VOLTAGE	FREQUENCY	MODEL	MOTOR TYPE	ELECTRICAL PARTS				OIL		COOLING TYPE	NET WEIGHT			
					STARTING DEVICE	MOTOR PROTECTOR	CAPACITOR		VISCOSITY	QTY					
							STARTING	RUNNING							
							MFD/VAC	MFD/VAC					cSt	cc	
V	Hz							kg							
LBP	110	50	NS30LAPG	RSIR	P6R8MC	4TM276TFB			22	180	ST	6.4			
			TS30LAPG*	RSIR					15	160	ST	5.3			
			NR62LAPH	CSR	P6R8MB	4TM412RFB	100/160	10/250	15	210	ST	8.8			
			LX72LAPG	RSIR	P6R8MC	4TM445VFB			15	310	FC or OC	10.9			
	220	50	NS30LAJG	RSIR	P330MC	4TM174TFB			22	180	ST	6.4			
			NS36LAJG	RSIR	P220MC	4TM174TFB			22	180	ST	6.4			
			NSA43LAJG	RSIR	P220MC	4TM205RFB			22	180	ST	6.9			
			TS30LAJG*	RSIR					15	160	ST	5.3			
			TS36LAJG*	RSIR					15	160	ST	5.3			
			TA43LAJG*	RSIR					10	160	ST	6.4			
			NR52LAJG	RSIR	P220MC	4TM222VFB			15	210	ST	8.3			
			NR58LAJG	RSIR	P330MC	4TM213SFB			15	210	ST	8.8			
			NR62LBJG	RSIR	P330MC	4TM222VFB			15	210	ST	8.8			
			MA69LAJG	RSIR	P330MC	4TM293RFB			10	220	ST	8.6			
			LX86LAJG	RSIR	P470MC	4TM293RFB			15	310	FC or OC	11.2			
			LA95LAJH	CSR	P470MB	4TM314TFB		5/400	10	310	FC or OC	11.2			
			LX110LAJH	CSR	P470MB	4TM314TFB	30/300	5/400	15	310	FC or OC	11.2			
			LX110LAJM	RSCR	P470MD	4TM314TFB		5/400	15	310	FC or OC	11.2			
			LX125LAJM	RSCR	P470MD	4TM412RFB		5/400	15	310	FC or OC	11.2			
				220-240	50	NS24LAEG	RSIR	P220MC	4TM117SFB			22	180	ST	5.8
						NS24LBEG	RSIR	P330MC	4TM117SFB			22	180	ST	6.4
NS30LAEG	RSIR	P330MC				4TM149NFB			22	180	ST	6.4			
NS30LAEM	RSCR	P330MD				4TM149NFB		3/400	22	180	ST	6.4			
NS36LAEG	RSIR	P220MC				4TM149NFB			22	180	ST	6.4			
NSA30LAEG	RSIR	P330MC				4TM149NFB			22	180	ST	6.4			
NSA30LAEM	RSCR	P330MD				4TM149NFB		3/400	22	180	ST	6.4			
NSA36LAEG	RSIR	P330MC				4TM149NFB			22	180	ST	6.4			
NSA43LAEG	RSIR	P220MC				4TM166RFB			22	180	ST	6.9			
NSA43LAEM	RSCR	P220MD				4TM166RFB		3/400	22	180	ST	6.9			
NSB24LAEG	RSIR	P330MC				4TM104RFB			22	180	ST	5.8			
NSB30LBBM	RSCR	P330MD				4TM104KFB		4/400	22	180	ST	6.4			
NSB30LAEG	RSIR	P330MC				4TM149NFB			22	180	ST	6.4			
TS24LAEG*	RSIR								15	160	ST	5.3			
TS30LAEG*	RSIR								15	160	ST	5.3			
TS30LAEM*	RSCR								15	160	ST	5.3			
TS36LAEG*	RSIR								15	160	ST	5.9			
TA24LAEG*	RSIR								10	160	ST	5.9			
TA30LAEG*	RSIR								10	160	ST	5.9			
TA30LAEM*	RSCR								10	160	ST	5.9			
TA36LAEG*	RSIR								10	160	ST	5.9			
TA36LAEM*	RSIR								10	160	ST	5.9			
TA43LAEG*	RSIR								10	160	ST	6.4			
TA43LAEM*	RSCR								10	160	ST	6.4			
TB30LAEM*	RSCR								7	160	ST	6.4			
NR45LAEG	RSIR	P330MC				4TM166RFB			15	210	ST	8.3			
NR52LAEG	RSIR	P330MC				4TM232NFB			15	210	ST	8.3			
NR58LAEG	RSIR	P330MC				4TM205RFB			15	210	ST	8.8			
NR62LAEG	RSIR	P330MC				4TM205RFB			15	210	ST	8.8			
NR62LBEG	RSIR	P330MC				4TM232TFB			15	210	ST	8.8			
ND40LAEM	RSCR	P330MD				4TM149NFB		5/400	15	230	ST	8.8			
ND58LAEG	RSIR	P330MC				4TM213SFB			15	210	ST	8.8			
ND58LBEG	RSIR	P330MC				4TM205RFB			15	210	ST	8.8			
MA53LAEM*	RSCR								10	220	ST	8.6			
MA57LAEG	RSIR	P330MC				4TM213SFB			10	220	ST	8.6			
MA57LAEM	RSCR	P330MD				4TM158RFB		5/400	10	220	ST	8.6			
MA62LCEG	RSIR	P330MC				4TM213SFB			10	220	ST	9.1			
MA69LAEG	RSIR	P330MC				4TM283RFB			10	220	ST	8.6			
MA72LAEM*	RSCR								10	220	ST	9.1			
MB53LAEM*	RSCR								10	220	ST	9.5			
MB57LAEM*	RSCR								10	220	ST	9.5			
MB62LAEM*	RSCR								10	220	ST	9.5			
MB69LAEM*	RSCR								10	220	ST	9.5			
MB72LAEM*	RSCR								10	220	ST	9.5			
MC53LAEM*	RSCR								10	220	ST	9.5			
MC57LAEM*	RSCR								10	220	ST	9.5			
MC62LAEM*	RSCR								10	220	ST	9.5			
MC69LAEM*	RSCR								10	220	ST	9.5			
MC72LAEM*	RSCR					10	220	ST	9.5						
LX67LBEG	RSIR	P470MC	4TM276TFB			15	310	FC or OC	10.9						
LX72LAEG	RSIR	P470MC	4TM276TFB			15	310	FC or OC	10.9						
LX72LAEM	RSCR	P470MD	4TM265RFB		5/400	15	310	FC or OC	10.9						
LX72LBEG	RSIR	P470MC	4TM276TFB			15	310	FC or OC	10.9						
LX86LAEG	RSIR	P470MC	4TM276VFB			15	310	FC or OC	11.2						
LX86LAEM	RSCR	P470MD	4TM265RFB		5/400	15	310	FC or OC	11.2						
LX86LBEG	RSIR	P470MC	4TM276VFB			15	310	FC or OC	11.2						
LX86LCEG	RSIR	P470MC	4TM314TFB			15	310	FC or OC	11.2						
LX110LABH	CSR	P470MB	4TM276TFB	30/300	5/400	15	310	FC or OC	11.2						
LX110LABM	RSCR	P470MD	4TM276TFB		5/400	15	310	FC or OC	11.2						
LA62LABM	RSCR	P330MD	4TM232NFB		5/400	10	310	FC or OC	10.9						
LA72LABM	RSCR	P330MD	4TM232NFB		4/400	10	310	FC or OC	10.9						
LA95LABM	RSCR	P470MD	4TM265RFB		4/400	10	310	FC or OC	11.2						
LC95LABH	CSR	P470MB	4TM265RFB	30/300	5/400	10	310	FC or OC	11.2						
LC95LABM	RSCR	P470MD	4TM265RFB		5/400	10	310	FC or OC	11.2						
LD62LABM*	RSCR					7	310	FC or OC	11.2						
LD72LABM*	RSCR					7	310	FC or OC	11.2						
LD95LABH*	CSR					7	310	FC or OC	11.2						
	110	60	NR58LBKH	CSR	P6R8MB	4TM412RFB	50/200	14/220	15	210	ST	8.8			
			NR62LAKH	CSR	P220MB	4TM444RFB	50/200	4/300	15	210	ST	8.8			

* : UNDER DEVELOPMENT

APPLICATION	VOLTAGE	FREQUENCY	MODEL	DISPLACEMENT	PERFORMANCE												
					50Hz @ ASHRAE					60Hz @ ASHRAE							
					CAPACITY (-23.3℃)			CONSUMPTION POWER		EER	CAPACITY (-23.3℃)			CONSUMPTION POWER		EER	
					cc	kcal/h	w	Btu/h	w	Btu/w·h	kcal/h	w	Btu/h	w	Btu/w·h		
LBP	110-115	60	NS24LBQG	2.42							43	50	171	70	2.44		
			NS30LAQG	3.05							61	71	242	85	2.85		
			NS36LAQG	3.58								77	90	306	100	3.05	
			NSB30LAQG	3.05								76	88	302	97	3.00	
			TS24LAQG*	2.44								45	52	179	73	2.44	
			TS30LAQG*	3.05								69	74	254	96	2.85	
			TS36LAQG*	3.61								85	97	330	108	3.05	
			TA30LAQG*	3.05								80	93	318	102	3.11	
			NR45LAQG	4.50								113	131	449	127	3.53	
			NR52LAQG	5.19								124	144	492	140	3.52	
			NR58LAQG	5.90								153	178	607	164	3.70	
			NR58LAQH	5.90								150	174	596	155	3.84	
			NR58LBQH	5.90								143	166	568	155	3.66	
			NR62LAQH	6.23								155	180	615	165	3.73	
			NR62LAQG	6.23								160	186	635	177	3.60	
			LX67LAQG	6.66								187	217	742	177	4.19	
			LX67LAQM	6.66								195	227	774	166	4.65	
			LX72LAQG	7.22								213	248	846	185	4.57	
			LX72LBQG	7.22								213	248	846	198	4.27	
			LX72LBQM	7.22								213	248	846	181	4.67	
	LX86LAQM	8.56								245	285	973	198	4.91			
	LX95LAQH	9.51								280	326	1112	222	5.01			
	LX95LBQH	9.51								280	326	1112	240	4.63			
	LA80LAQH	7.95								245	285	973	203	4.80			
	LA80LBQH	7.95								252	293	1000	184	5.45			
	LA86LAQH	8.56								275	320	1092	214	5.10			
	LA95LAQH	9.51								312	363	1239	233	5.10			
	LBP	115	60	NS36LACG	3.58							76	88	302	99	3.05	
				NS24LACG	2.42							45	52	179	77	2.32	
				NS24LBQG	2.42								43	50	171	70	2.44
				NS24LBCM	2.42								43	50	171	67	2.55
				NS30LACG	3.05								64	74	254	89	2.85
				NS30LACM	3.05								64	74	254	85	2.99
				NSA24LACG	2.42								50	58	199	80	2.48
				NSA30LACG	3.05								70	81	278	92	3.02
				NSA30LACM	3.05								70	81	278	88	3.16
				NSA36LACG	3.58								83	97	330	104	3.17
				NSA43LACG	4.29								93	108	369	115	3.21
				NSB24LACG	2.42								51	59	202	68	3.00
				NSB30LACG	3.05								76	88	302	84	3.59
				NSB30LBQG	3.05								76	88	302	84	3.59
				NSB30LBCM	3.05								76	88	302	79	3.82
NSB36LACG				3.58								90	105	357	102	3.50	
TS24LACG*				2.44								45	52	179	71	2.52	
TS24LACM*				2.44								45	52	179	70	2.55	
TS30LACG*				3.05								69	74	254	90	3.05	
TS30LACM*				3.05								69	74	254	92	2.99	
TS36LACG*		3.61								85	97	330	111	3.05			
TA24LACG*		2.44								51	59	202	68	2.98			
TA30LACG*		3.05								80	93	318	88	3.59			
TA30LACM*		3.05								80	93	318	83	3.82			
TA36LACG*		3.61								93	108	369	105	3.50			
TA43LACG*		4.24								93	108	369	115	3.21			
NR58LACG		5.90								145	169	576	161	3.58			
ND40LBQG		4.02								107	124	425	101	4.21			
ND40LBCM		4.02								105	122	417	95	4.38			
ND45LACM		4.50								126	147	500	111	4.50			
ND52LACH		5.19								145	169	576	137	4.20			
MA53LACM		5.25								154	179	611	119	5.15			
MA53LCCM		5.25								155	180	615	116	5.30			
MA57LACM		5.71								171	199	679	128	5.30			
MA62LACM*		6.24								184	214	730	138	5.30			
MA72LACM*		7.22								185	215	734	140	5.25			
MB53LACH		5.25								156	181	619	113	5.50			
MB53LBCH		5.25								156	181	619	115	5.40			
LX86LACM		8.56								245	285	973	198	4.91			
LA62LACM		6.23								188	219	746	138	5.40			
LA62LBCM		6.23								188	219	746	142	5.25			
LA67LACM		6.66								209	243	830	154	5.40			
LA67LBCM	6.66								210	244	834	152	5.50				
LA80LACM	7.95								268	312	1064	165	6.45				
LA80LACH	7.95								249	290	989	183	5.40				
LA86LACH	8.56								270	314	1072	202	5.30				
LC62LBCM	6.23								190	221	754	136	5.55				
LC62LBCH	6.23								190	221	754	136	5.55				
LC72LACM*	7.22								230	267	913	163	5.60				
LC86LACH	8.61								277	322	1100	196	5.61				
LD62LACH*	6.23								198	230	786	136	5.80				
LD72LACM*	7.22								242	281	961	163	5.90				
LD80LACH*	7.95								250	291	993	168	5.90				
LBP	115-127	60	LC80LAUH	7.95							249	290	989	177	5.60		
			LC86LAUH	8.61							276	321	1096	196	5.60		
			MA53LAUG	5.25								150	174	596	135	4.40	

APPLICATION	VOLTAGE	FREQUENCY	MODEL	MOTOR TYPE	ELECTRICAL PARTS				OIL		COOLING TYPE	NET WEIGHT				
					STARTING DEVICE	MOTOR PROTECTOR	CAPACITOR		VISCOSITY	Q'TY						
							STARTING	RUNNING								
							MFD/VAC	MFD/VAC	cSt	cc						
	V	Hz									kg					
LBP	110-115	60	NS24LBQG	RSIR	P6R8MC	4TM232NFB				22	180	ST	6.4			
			NS30LAQG	RSIR	P6R8MC	4TM265RFB				22	180	ST	6.4			
			NS36LAQG	RSIR	P3R9MC	4TM314TFB				22	180	ST	6.4			
			NSB30LAQG	RSIR	P3R9MC	4TM314TFB				22	180	ST	6.4			
			TS24LAQG*	RSIR						15	160	ST	5.3			
			TS30LAQG*	RSIR						15	160	ST	5.3			
			TS36LAQG*	RSIR						15	160	ST	5.3			
			TA30LAQG*	RSIR						10	160	ST	5.9			
			NR45LAQG	RSIR	P6R8MC	4TM412RFB				15	210	ST	8.3			
			NR52LAQG	RSIR	P6R8MC	4TM412RFB				15	210	ST	8.3			
			NR58LAQG	RSIR	P6R8MC	4TM412RFB				15	210	ST	8.8			
			NR58LAQH	CSR	P6R8MB	4TM412RFB	50/200	10/220		15	210	ST	8.8			
			NR58LBQH	CSR	P6R8MB	4TM412RFB	50/200	14/220		15	210	ST	8.8			
			NR62LAQH	CSR	P6R8MB	4TM419TFB	100/160	10/250		15	210	ST	8.8			
			NR62LAQG	RSIR	P6R8MC	4TM762VFB				15	210	ST	8.8			
			LX67LAQG	RSIR	P6R8MC	4TM445VFB				15	310	FC or OC	10.9			
			LX67LAQM	RSCR	P6R8MB	4TM419TFB		14/220		15	310	FC or OC	10.9			
			LX72LAQG	RSIR	P6R8MC	4TM419TFB				15	310	FC or OC	10.9			
			LX72LBQG	RSIR	P6R8MC	4TM444UFB				15	310	FC or OC	10.9			
			LX72LBQM	RSCR	P6R8MD	4TM444UFB				15	310	FC or OC	10.9			
			LX86LAQM	RSCR	P6R8MD	4TM412RFB			14/220	15	310	FC or OC	11.2			
			LX95LAQH	CSR	P220MB	4TM444RFB	100/160	10/250		15	310	FC or OC	11.2			
			LX95LBQH	CSR	P220MB	4TM445VFB	100/160	10/250		15	310	FC or OC	11.2			
			LA80LAQH	CSR	P6R8MB	4TM445VFB	100/160	14/250		10	310	FC or OC	11.2			
			LA80LBQH	CSR	P6R8MB	4TM412TFB	100/160	14/250		10	310	FC or OC	11.2			
			LA86LAQH	CSR	P150MB	4TM445VFB	100/160	14/220		10	310	FC or OC	11.2			
			LA95LAQH	CSR	P150MB	4TM777VFB	100/160	14/220		10	310	FC or OC	11.2			
			LBP	115	60	NS36LAQG	RSIR	P6R8MC	4TM276TFB				22	180	ST	6.4
						NS24LAQG	RSIR	P6R8MC	4TM265MFB				22	180	ST	5.8
						NS24LBCG	RSIR	P6R8MC	4TM232NFB				22	180	ST	6.4
						NS24LBCM	RSCR	P6R8MD	4TM232NFB		10/250		22	180	ST	6.4
						NS30LAQG	RSIR	P6R8MC	4TM265RFB				22	180	ST	6.4
						NS30LACM	RSCR	P6R8MD	4TM265RFB		10/250		22	180	ST	6.4
						NSA24LAQG	RSIR	P6R8MC	4TM265MFB				22	180	ST	5.8
						NSA30LAQG	RSIR	P3R9MC	4TM265RFB				22	180	ST	6.4
						NSA30LACM	RSCR	P6R8MD	4TM265RFB		10/250		22	180	ST	6.4
						NSA36LAQG	RSIR	P6R8MC	4TM276TFB				22	180	ST	6.4
						NSA43LAQG	RSIR	P6R8MC	4TM314TFB				22	180	ST	6.9
						NSB24LAQG	RSIR	P6R8MC	4TM265RFB				22	180	ST	6.4
						NSB30LAQG	RSIR	P6R8MC	4TM265RFB				22	180	ST	6.4
						NSB30LBCG	RSIR	P6R8MC	4TM265RFB				22	180	ST	6.4
						NSB30LBCM	RSCR	P6R8MD	4TM265RFB		10/250		22	180	ST	6.4
						NSB36LAQG	RSIR	P6R8MC	4TM265RFB				22	180	ST	6.4
						TS24LAQG*	RSIR						15	160	ST	5.3
						TS24LACM*	RSCR						15	160	ST	5.3
						TS30LAQG*	RSIR						15	160	ST	5.3
						TS30LACM*	RSCR						15	160	ST	5.3
TS36LAQG*	RSIR									15	160	ST	5.3			
TA24LAQG*	RSIR									10	160	ST	5.9			
TA30LAQG*	RSIR									10	160	ST	5.9			
TA30LACM*	RSCR									10	160	ST	5.9			
TA36LAQG*	RSIR									10	160	ST	5.9			
TA43LAQG*	RSIR									10	160	ST	6.4			
NR58LAQG	RSIR	P6R8MC				4TM412RFB				15	210	ST	8.8			
ND40LBCG	RSIR	P6R8MC				4TM317LFB				15	210	ST	8.8			
ND40LBCM	RSCR	P6R8MD				4TM317LFB		10/250		15	210	ST	8.8			
ND45LAQM	RSCR	P6R8MD				4TM317LFB		10/250		15	210	ST	8.8			
ND52LAQH	CSR	P6R8MB				4TM412TFB	100/160	14/220		15	210	ST	8.8			
MA53LAQM	RSCR	P6R8MD				4TM314TFB		15/220		10	220	ST	8.6			
MA53LCCM	RSCR	P6R8MD				4TM314TFB		12/220		10	220	ST	8.6			
MA57LAQM	RSCR	P6R8MD				4TM314TFB		15/220		10	220	ST	8.6			
MA62LACM*																
MA72LACM*	RSCR									10	220	ST	9.1			
MB53LAQH	CSR	P6R8MB				4TM414KFB	100/160	12/220		10	220	ST	9.5			
MB53LBCH	CSR	P6R8MB				4TM414KFB	100/160	12/250		10	220	ST	9.5			
LX86LACM	RSCR	P6R8MD				4TM412RFB		14/220		15	310	FC or OC	11.2			
LA62LACM	RSCR	P6R8MD				4TM412RFB		15/210		10	310	FC or OC	10.9			
LA62LBCM	RSCR	P6R8MD				4TM414KFB		12/250		10	310	FC or OC	10.9			
LA67LACM	RSCR	P6R8MD				4TM412RFB		12/250		10	310	FC or OC	10.9			
LA67LBCM	RSCR	P6R8MD				4TM412RFB		15/210		10	310	FC or OC	10.9			
LA80LACM	RSCR	P6R8MD				4TM412RFB		12/250		10	310	FC or OC	11.2			
LA80LAQH	CSR	P6R8MB				4TM412TFB	100/160	14/250		10	310	FC or OC	11.2			
LA86LAQH	CSR	P6R8MB				4TM444UFB	100/160	14/220		10	310	FC or OC	11.2			
LC62LBCM	RSCR	P6R8MD				4TM314TFB		14/250		10	310	FC or OC	11.2			
LC62LBQH	CSR	P6R8MB				4TM314TFB	100/160	14/250		10	310	FC or OC	11.2			
LC72LACM*																
LC86LAQH	CSR	P6R8MB				4TM444RFB	100/160	14/220		10	310	FC or OC	11.2			
LD62LAQH*	CSR									7	310	FC or OC	11.2			
LD72LACM*	RSCR									7	310	FC or OC	11.2			
LD80LAQH*	CSR									7	310	FC or OC	11.2			
LBP	115-127	60				LC80LAUH	CSR	P150MB	4TM444RFB	100/160	14/250	10	310	FC or OC	11.2	
						LC86LAUH	CSR	P150MB	4TM444RFB	100/160	14/250	10	310	FC or OC	11.2	
						MA53LAUG	RSIR	P6R8MC	4TM419TFB				10	220	ST	8.3

* : UNDER DEVELOPMENT

APPLICATION	VOLTAGE	FREQUENCY	MODEL	DISPLACEMENT	PERFORMANCE												
					50Hz @ ASHRAE					60Hz @ ASHRAE							
					CAPACITY (-23.3℃)			CONSUMPTION POWER	EER	CAPACITY (-23.3℃)			CONSUMPTION POWER	EER			
					cc	kcal/h	w	Btu/h	w	Btu/w h	kcal/h	w	Btu/h	w	Btu/w h		
LBP	127	60	NS24LAFM	2.42							43	50	171	79	2.16		
			NS24LAFG	2.42							43	50	171	80	2.13		
			NS30LAFM	3.05								61	71	242	84	2.88	
			NS30LAFG	3.05								61	71	242	87	2.78	
			TS24LAFG*	2.44								45	52	179	84	2.13	
			TS24LAFM*	2.44								45	52	179	83	2.16	
			TS30LAFM*	3.05								69	74	254	95	2.88	
			TS30LAFG*	3.05								69	74	254	98	2.78	
			ND52LAFH	5.19								149	173	592	137	4.32	
			ND58LAFH	5.90								159	185	631	149	4.24	
			LX67LAFM	6.66								195	227	774	153	5.06	
			LX86LAFH	8.56								250	291	993	208	4.77	
			LX95LAFH	9.51								280	326	1112	232	4.79	
			LA86LAFH	8.56								272	316	1080	212	5.10	
	LC62LARM	6.23								195	227	774	139.5	5.55			
	LBP	220	60	NS24LADG	2.42							43	50	171	76	2.25	
				NS24LADM	2.42							44	51	175	74	2.36	
				NS30LADM	3.05								61	71	242	84	2.88
				NS30LADG	3.05								64	74	254	90	2.82
				NS36LADM	3.58								79	92	314	95	3.30
				NSA30LADG	3.05								70	81	278	93	2.99
				NSB24LADG	2.42								55	64	218	72	3.03
				NSB30LADM	3.05								77	90	306	85	3.60
				NSB36LADG	3.58								91	106	361	100	3.60
				NSB36LADM	3.58								91	106	361	95	3.80
				TS24LADG*	2.44								45	52	179	80	2.25
TS24LADM*				2.44								45	52	179	76	2.36	
TS30LADG*				3.05								69	74	254	97	2.82	
TS30LADM*				3.05								69	74	254	91	3.00	
TS36LADG*				3.61								85	99	337	104	3.25	
TS36LADM*				3.61								86	97	330	99	3.45	
TA24LADG*				2.44								55	64	218	72	3.03	
TA30LADM*				3.05								80	93	318	88	3.60	
TA36LADG*				3.61								93	108	369	102	3.61	
TA36LADM*				3.61								93	108	369	97	3.80	
NR45LADG				4.50								106	123	421	119	3.54	
NR58LADM				5.90								145	169	576	140	4.11	
NR58LADG				5.90								150	174	596	162	3.68	
NR62LADM				6.23								160	186	635	155	4.10	
ND52LADM				5.19								145	169	576	130	4.43	
ND68LADM				5.90								160	186	635	144	4.41	
MA53LADG				5.25								152	177	603	134	4.50	
MA53LADM				5.25								154	179	611	125	4.90	
MA53LADM				5.25								153	178	607	129	4.70	
MA57LADM				5.71								171	199	679	128	5.30	
MA57LADG				5.71								168	195	667	142	4.70	
MA62LADM*				6.24								185	215	734	139	5.30	
MA72LADM*				7.22								185	215	734	138	5.30	
LX67LADG				6.66								195	227	774	168	4.61	
LX72LADM				7.22								213	248	846	169	5.00	
LX72LFDP				7.22								206	240	818	180	4.54	
LX86LADM				8.56								250	291	993	193	5.14	
LX95LADH				9.51								280	326	1112	224	4.96	
LX110LFDP				11.03								300	349	1191	290	4.11	
LA62LADM				6.23								188	219	746	141	5.30	
LA72LADM				7.22								229	266	909	165	5.50	
LA80LADM				7.95								246	286	977	181	5.40	
LA86LADH				8.56								268	312	1064	197	5.40	
LC62LADM				6.23								193	224	766	138	5.55	
LC72LADM				7.22								229	266	909	159	5.70	
LC86LADH				8.61								274	319	1088	191	5.70	
MB53LADM*	5.25								154	179	611	110	5.55				
MB57LADM*	5.71								171	199	679	121	5.60				
MB62LADM*	6.24								185	215	734	131	5.60				
MB69LADM*	6.91								205	238	814	147	5.55				
MB72LADM*	7.22								215	250	854	154	5.55				
MC53LADM*	5.25								154	179	611	105	5.80				
MC57LADM*	5.71								171	199	679	117	5.80				
MC62LADM*	6.24								185	215	734	127	5.80				
MC69LADM*	6.91								205	238	814	140	5.80				
MC72LADM*	7.22								215	250	854	148	5.75				
LD62LADM*	6.23								198	230	786	133	5.90				
LD72LADM*	7.22								243	283	965	161	6.00				
LD66LADH*	8.56								284	330	1127	188	6.00				

* : UNDER DEVELOPMENT

APPLICATION	VOLTAGE	FREQUENCY	MODEL	MOTOR TYPE	ELECTRICAL PARTS				OIL		COOLING TYPE	NET WEIGHT		
					STARTING DEVICE	MOTOR PROTECTOR	CAPACITOR		VISCOSITY	Q'TY		kg		
	STARTING	RUNNING												
	MFD/VAC	MFD/VAC												
V	Hz					cSt	cc							
LBP	127	60	NS24LAFM	RSCR	P6R8MD	4TM213SFB		8/250	22	180	ST	5.8		
			NS24LAFG	RSR	P6R8MC	4TM213SFB			22	180	ST	5.8		
			NS30LAFM	RSCR	P6R8MD	4TM232VFB		8/250	22	180	ST	6.4		
			NS30LAFG	RSR	P6R8MC	4TM232VFB			22	180	ST	6.4		
			TS24LAFG*	RSR					15	160	ST	5.3		
			TS24LAFM*	RSCR					15	160	ST	5.3		
			TS30LAFM*	RSCR					15	160	ST	5.3		
			TS30LAFG*	RSR					15	160	ST	5.3		
			ND52LAFH	CSR	P6R8MD	4TM314TFB	100/160	14/220	15	210	ST	8.8		
			ND58LAFH	CSR	P6R8MB	4TM314TFB	100/160	8/250	15	210	ST	8.8		
			LX67LAFM	RSCR	P220MD	4TM412TFB		14/220	15	310	FC or OC	10.9		
			LX86LAFH	CSR	P6R8MB	4TM444RFB	100/160	14/250	15	310	FC or OC	11.2		
			LX95LAFH	CSR	P220MB	4TM444UFB	100/160	10/250	15	310	FC or OC	11.2		
			LA86LAFH	CSR	P6R8MB	4TM444UFB	100/160	14/220	10	310	FC or OC	11.2		
	LC62LAFM	RSCR	P6R8MD	4TM412NFB		14/220	10	310	FC or OC	11.2				
	LBP	220	60	NS24LADG	RSR	P220MC	4TM104RFB			22	180	ST	5.8	
				NS24LADM	RSCR	P220MD	4TM232NFB		3/400	22	180	ST	5.8	
				NS30LADM	RSCR	P220MD	4TM174TFB		3/400	22	180	ST	6.4	
				NS30LADG	RSR	P220MC	4TM158RFB			22	180	ST	6.4	
				NS36LADM	RSCR	P220MD	4TM174TFB		4/400	22	180	ST	6.4	
				NSA30LADG	RSR	P220MC	4TM158RFB			22	180	ST	6.4	
				NSB24LADG	RSR	P220MC	4TM104RFB			22	180	ST	6.4	
				NSB30LADM	RSCR	P330MD	4TM149NFB		3/400	22	180	ST	6.4	
				NSB36LADG	RSR	P220MC	4TM174TFB			22	180	ST	6.4	
				NSB36LADM	RSCR	P220MD	4TM174TFB		4/400	22	180	ST	6.4	
				TS24LADG*	RSR					15	160	ST	5.3	
TS24LADM*				RSCR					15	160	ST	5.3		
TS30LADG*				RSR					15	160	ST	5.3		
TS30LADM*				RSCR					15	160	ST	5.3		
TS36LADG*				RSCR					15	160	ST	5.3		
TS36LADM*				RSCR					15	160	ST	5.3		
TA24LADG*				RSR					10	160	ST	5.9		
TA30LADM*				RSCR					10	160	ST	5.9		
TA36LADG*				RSR					10	160	ST	5.9		
TA36LADM*				RSCR					10	160	ST	5.9		
NR45LADG				RSR	P220MC	4TM232NFB			15	210	ST	8.3		
NR58LADM				RSCR	P330MD	4TM232NFB			15	210	ST	8.8		
NR58LADG				RSR	P330MC	4TM232VFB			15	210	ST	8.8		
NR62LADM				RSCR	P330MD	4TM232NFB		3/400	15	210	ST	8.8		
ND52LADM				RSCR	P330MD	4TM232TFB		3/400	15	210	ST	8.8		
ND58LADM				RSCR	P330MD	4TM232TFB		3/400	15	210	ST	8.8		
MA53LADG				RSCR	P330MC	4TM232NFB			10	220	ST	7.9		
MA53LADM				RSCR	P330MD	4TM232NFB		5/400	10	220	ST	8.3		
MA53LBDM				RSCR	P330MD	4TM232NFB		5/400	10	220	ST	8.3		
MA57LADM				RSCR	P330MD	4TM213SFB		5/400	10	220	ST	8.6		
MA57LADG				RSR	P330MC	4TM213SFB			10	220	ST	8.6		
MA62LADM*														
MA72LADM*				RSCR					10	220	ST	9.1		
LX67LADG				RSR	P470MC	4TM265RFB			15	310	FC or OC	10.9		
LX72LADM				RSCR	P470MD	4TM265RFB		4/400	15	310	FC or OC	10.9		
LX72LPDP				CSR	MTRP0040-15	4TM734UFB	30/300		15	310	FC or OC	10.9		
LX86LADM				RSCR	P470MD	4TM293RFB		4/400	15	310	FC or OC	11.2		
LX95LADH				CSR	P470MB	4TM314TFB	30/300	5/400	15	310	FC or OC	11.2		
LX110LPDP				CSR	MTRP0060-15	4TM758UFB	30/300		15	310	FC or OC	11.2		
LA62LADM				RSCR	P330MD	4TM232TFB		4/400	10	310	FC or OC	10.9		
LA72LADM				RSCR	P330MD	4TM265RFB		5/400	10	310	FC or OC	10.9		
LA80LADM				RSCR	P330MD	4TM293RFB		5/400	10	310	FC or OC	11.2		
LA86LADH				CSR	P330MB	4TM314TFB	30/300	5/400	10	310	FC or OC	11.2		
LC62LADM				RSCR	P330MD	4TM232TFB		5/400	10	310	FC or OC	11.2		
LC72LADM				RSCR	P330MD	4TM265RFB		5/400	10	310	FC or OC	11.2		
LC86LADH				CSR	P330MB	4TM276VFB	30/300	5/400	10	310	FC or OC	11.2		
MB53LADM*				RSCR					10	220		9.5		
MB57LADM*				RSCR					10	220		9.5		
MB62LADM*				RSCR					10	220		9.5		
MB69LADM*				RSCR					10	220		9.5		
MB72LADM*				RSCR					10	220		9.5		
MC53LADM*				RSCR					10	220		9.5		
MC57LADM*				RSCR					10	220		9.5		
MC62LADM*				RSCR					10	220		9.5		
MC69LADM*				RSCR					10	220		9.5		
MC72LADM*				RSCR					10	220		9.5		
LD62LADM*				RSCR					7	310	FC or OC	11.2		
LD72LADM*				RSCR					7	310	FC or OC	11.2		
LD86LADH*	CSR					7	310	FC or OC	11.2					

Performance Datasheet (LGE) : R134a

* : UNDER DEVELOPMENT

APPLICATION	VOLTAGE	FREQUENCY	MODEL	DISPLACEMENT	PERFORMANCE											
					50Hz @ ASHRAE					60Hz @ ASHRAE						
					CAPACITY (-23.3℃)			CONSUMPTION POWER		EER	CAPACITY (-23.3℃)			CONSUMPTION POWER		EER
					cc	kcal/h	w	Btu/h	w	Btu/w/h	kcal/h	w	Btu/h	w	Btu/w/h	
LBP	100	50/60	NS24LBAG	2.42	35	41	139	63	2.21	43	50	171	68	2.51		
			NS30LAA G	3.05	50	58	199	79	2.51	64	74	254	87	2.92		
			NS36LAAM	3.58	62	72	246	86	2.86	78	91	310	91	3.40		
			NS36LBAG	3.58	66	77	262	93	2.73	79	92	314	98	3.20		
			NS36LBAM	3.58	66	77	262	90	2.82	79	92	314	93	3.37		
			NSA30LAA G	3.05	61	71	242	83	2.92	70	81	278	88	3.16		
			NSB36LAAM	3.58	69	80	274	82	3.30	90	105	357	94	3.80		
			TS24LAA G*	2.44	37	43	147	67	2.21	45	52	179	71	2.51		
			TS30LAA G*	3.05	50	58	199	79	2.51	69	74	254	94	2.92		
			TS36LAA G*	3.61	69	77	262	100	2.73	85	97	330	103	3.20		
			TS36LAA M*	3.61	70	72	246	97	2.86	86	97	330	100	3.40		
			TA30LAA G*	3.05	61	71	242	83	2.92	70	81	278	88	3.16		
			TA36LAA M*	3.61	69	80	274	83	3.30	93	108	369	97	3.80		
			NR52LAA G	5.19	107	124	425	132	3.22	128	149	508	142	3.58		
			NR52LAA M	5.19	107	124	425	127	3.34	128	149	508	138	3.68		
			NR58LAA G	5.90	121	141	480	135	3.56	146	170	580	154	3.76		
			NR58LAA H	5.90	120	140	476	126	3.78	146	170	580	145	4.00		
			NR62LBAH	6.23	131	152	520	142	3.66	160	186	635	153	4.02		
			NR62LAA H	6.23	130	151	516	136	3.79	160	186	635	155	4.10		
			ND40LAA G	4.02	90	105	357	96	3.72	107	124	425	107	3.97		
			ND40LAA M	4.02	90	105	357	92	3.88	107	124	425	101	4.20		
			MA57LAA M	5.71	138	160	548	118	4.65	171	199	679	133	5.10		
			MA62LCAH	6.24	152	176	603	121	5.00	184	214	730	138	5.30		
			LX72LAA M	7.22	170	198	675	157	4.30	213	248	846	180	4.70		
			LX95LAA H	9.51	230	267	913	203	4.50	280	326	1112	227	4.90		
			LX110LAAH	11.03	270	314	1072	255	4.20	300	349	1191	255	4.67		
			LC86LAAH	8.61	208	242	826	164	5.05	276	321	1096	197	5.55		
			220	50/60	NS24LABG	2.42	38	44	151	58	2.60	43	50	171	72	2.37
					NS30LABG	3.05	50	58	199	79	2.51	61	71	242	88	2.75
					NS36LABG	3.58	64	74	254	96	2.65	79	92	314	98	3.20
					TS24LABG*	2.44	37	43	147	56	2.60	45	52	179	75	2.37
					TS30LABG*	3.05	56	64	218	101	2.20	69	64	64	94	2.90
					TS36LABG*	3.61	69	74	254	91	3.00	85	99	337	104	3.25
					ND52LABM	5.19	118	137	468	118	3.97	145	169	576	130	4.43
					MA53LABM	5.25	122	142	484	113	4.30	154	179	611	125	4.90
					MA53LABG	5.25	121	141	480	120	4.00	152	177	603	131	4.60
	MA57LABM	5.71			138	160	548	112	4.90	171	199	679	128	5.30		
	LX67LABM	6.66			155	180	615	128	4.81	195	227	774	152	5.09		
	LX67LABH	6.66			160	186	635	142	4.47	196	228	778	158	4.93		
	LX86LABM	8.56			194	226	770	159	4.84	250	291	993	193	5.14		
	LX86LFBP	8.56			198	230	786	183	4.30	247	287	981	218	4.50		
	LX95LABH	9.51			230	267	913	210	4.35	280	326	1112	224	4.96		
	220-240,220	50/60			TS24LATG*	2.44	37	43	147	75	1.96	46	52	179	78	2.28
					ND58LASM	5.90	133	155	528	132	4.00	162	188	643	149	4.32
LX72LASG					7.22	165	192	655	153	4.28	213	248	846	181	4.67	
NS24LATG			2.42	36	42	143	73	1.96	43	50	171	75	2.28			
LX72LATG			7.22	165	192	655	153	4.30	213	248	846	181	4.67			
LX72LATF			7.22	170	198	675	159	4.24	213	248	846	181	4.67			
LX72LATH	7.22	170	198	675	157	4.30	213	248	846	185	4.57					
HBP	220-240	50	NS24HAEG	2.42	190	221	754	145	5.20							
			NS36HAEG	3.58	268	312	1064	178	5.98							
			NS36HAEP	3.58	290	337	1151	185	6.22							
			TS24HAEG*	2.44	190	221	754	145	5.20							
			TS36HAEG*	3.61	268	312	1064	178	5.98							
			TS36HAEP*	3.61	290	337	1151	185	6.22							
			NR45HAEG	4.50	367	427	1457	206	7.07							
			NR52HAEG	5.19	425	494	1687	240	7.06							
			NR62HAEG	6.23	500	581	1985	280	7.09							
			NR62HAEP	6.23	500	581	1985	280	7.09							
			LX72HAEG	7.22	630	733	2501	325	7.70							
			LX72HAEP	7.22	600	698	2382	315	7.56							
			LX86HAEG	8.56	745	866	2958	385	7.68							
			LX86HAEP	8.56	710	826	2819	385	7.32							
			LX95HAEG	9.51	830	965	3295	440	7.49							
			LX110HAE M	11.03	950	1105	3772	503	7.50							
	LX110HAE P	11.03	910	1058	3613	503	7.18									
	110-115	60	NS36HAQG	3.58					319	371	1266	210	6.03			
			TS36HAQG*	3.61					319	371	1266	210	6.03			
			NR45HAQG	4.50					432	502	1715	252	6.81			
			NR52HAQG	5.19					525	610	2084	305	6.83			
			NR58HAQG	5.90					600	698	2382	350	6.81			
			LX86HAQG	8.56					850	988	3375	450	7.50			
			LX86HFQF	8.56					850	988	3375	450	7.50			
	115	60	NR62HACP	6.23					632	735	2509	364	6.89			
			LX72HACG	7.22					720	837	2858	370	7.73			
			LX86HACF	8.56					860	1000	3414	448	7.62			
			LX86HACG	8.56					860	1000	3414	448	7.62			
			LX95HACF	9.51					950	1105	3772	524	7.20			
			LX110HACF	11.03					1040	1209	4129	618	6.68			
	220	60	NR45HAD M	4.50					432	502	1715	237	7.24			
			NR45HAD G	4.50					460	535	1826	255	7.20			
			NR52HAD G	5.19					525	610	2084	305	6.83			
			NR58HAD G	4.50					600	698	2382	350	6.80			
			LX72HF DG	7.22					695	808	2759	397	6.95			
			LX72HF DP	7.22					700	814	2779	385	7.22			
			LX86HF DP	8.56					840	977	3335	460	7.25			
			LX110HF DP	11.03					1000	1163	3970	630	6.30			
			LX125HF DP	12.54					1200	1395	4764	760	6.27			
	100	50/60	TS24HAAG*	2.44	192	223	762	152	5.00	220	256	873	155	5.63		
			NS24HAAG	2.42	192	223	762	152	5.00	220	256	873	155	5.63		

Performance Datasheet (LGE) : R134a

* : UNDER DEVELOPMENT

APPLICATION	VOLTAGE	FREQUENCY	MODEL	MOTOR TYPE	ELECTRICAL PARTS				OIL		COOLING TYPE	NET WEIGHT			
					STARTING DEVICE	MOTOR PROTECTOR	CAPACITOR		VISCOSITY	Q'TY					
	MFD/VAC	MFD/VAC					cSt	cc							
LBP	V 100	Hz 50/60	NS24LABG	RSIR	P3R9MC	4TM265MFB				22	180	ST	kg 6.4		
			NS30LAAG	RSIR	P3R9MC	4TM276TFB				22	180	ST	6.4		
			NS36LAAM	RSCR	P3R9MD	4TM265RFB		14/220		22	180	ST	6.4		
			NS36LBAG	RSIR	P6R8MC	4TM734UFB				22	180	ST	6.4		
			NS36LBAM	RSCR	P6R8MD	4TM734UFB		10/220		22	180	ST	6.4		
			NSA30LAAG	RSIR	P3R9MC	4TM276TFB				22	180	ST	6.4		
			NSB36LAAM	RSCR	P3R9MD	4TM265RFB		14/220		22	180	ST	6.4		
			TS24LAAG*	RSIR						15	160	ST	5.3		
			TS30LAAG*	RSIR						15	160	ST	5.9		
			TS36LAAG*	RSIR						15	160	ST	5.9		
			TS36LAAM*	RSCR						15	160	ST	5.9		
			TA30LAAG*	RSIR						10	160	ST	5.9		
			TA36LAAM*	RSCR						10	160	ST	5.9		
			NR52LAAG	RSIR	P3R9MC	4TM419TFB				15	210	ST	8.3		
			NR52LAAM	RSCR	P6R8MD	4TM419TFB		10/250		15	210	ST	8.3		
			NR58LAAG	RSIR	P6R8MC	4TM412RFB				15	210	ST	8.8		
			NR58LAAH	CSR	P6R8MB	4TM412RFB		50/200	14/220	15	210	ST	8.8		
			NR62LBAH	CSR	P6R8MB	4TM419TFB		50/200	14/220	15	210	ST	8.8		
			NR62LAAH	CSR	P6R8MB	4TM419TFB		50/200	14/220	15	210	ST	8.8		
			ND40LAAG	RSIR	PTH7M3R9MG1	4TM314TFB				15	250	ST	8.8		
			ND40LAAM	RSCR	P3R9MD	4TM265RFB			14/220	15	210	ST	8.8		
			MA57LAAM	RSCR	P6R8MD	4TM314TFB			10/220	10	220	ST	8.6		
			MA62LCAH	CSR	P6R8MB	4TM414KFB		100/160	14/220	10	220	ST	8.6		
			LX72LAAM	RSCR	P6R8MD	4TM444RFB			14/220	15	310	FC or OC	10.9		
			LX95LAAH	CSR	P6R8MB	4TM777VFB		100/160	14/220	15	310	FC or OC	11.2		
			LX110LAAH	CSR	P6R8MB	4TM795VFB		100/160	14/250	15	310	FC or OC	11.2		
			LC86LAAH	CSR	P6R8MB	4TM444VFB		100/160	14/220	10	310	FC or OC	11.2		
			220	50/60	NS24LABG	RSIR	P330MC	4TM149NFB				22	180	ST	5.8
					NS30LABG	RSIR	P220MC	4TM158RFB				22	180	ST	6.4
					NS36LABG	RSIR	P220MC	4TM174TFB				22	180	ST	6.4
					TS24LABG*	RSIR						15	160	ST	5.3
					TS30LABG*	RSIR						15	160	ST	5.9
					TS36LABG*	RSIR						15	160	ST	5.9
					ND52LABM	RSCR	P330MD	4TM232TFB			3/400	15	210	ST	8.8
					MA53LABM	RSCR	P330MD	4TM232NFB			5/400	10	220	ST	8.3
MA53LABG	RSIR	P330MC			4TM232NFB				10	220	ST	8.3			
MA57LABM	RSCR	P330MD			4TM213SFB			5/400	10	220	ST	8.6			
LX67LABM	RSCR	P470MD			4TM265RFB			5/400	15	310	FC or OC	10.9			
LX67LABH	CSR	P470MB			4TM265RFB		30/300	3/400	15	310	FC or OC	10.9			
LX86LABM	RSCR	P470MD			4TM293RFB			4/400	15	310	FC or OC	11.2			
LX86LFBP	CSIR	MTRP0058-15			4TM743UFB		30/300		15	310	FC or OC	11.2			
LX95LABH	CSR	P470MB			4TM314TFB		30/300	5/400	15	310	FC or OC	11.2			
220-240,220	50/60	TS24LATG*	RSIR						15	160	ST	5.3			
		ND58LASM	RSCR	P220MD	4TM276LFB		4/400	15	210	ST	8.8				
		LX72LAGS	RSIR	P470MC	4TM283RFB				15	310	FC or OC	10.9			
		NS24LATG	RSIR	P330MC	4TM149NFB				22	180	ST	5.8			
		LX72LATG	RSIR	P470MC	4TM314TFB				15	310	FC or OC	10.9			
		LX72LATF	CSIR	P470MA	4TM314TFB		30/300		15	310	FC or OC	10.9			
LX72LATH	CSR	P470MB	4TM276TFB			3/400	15	310	FC or OC	10.9					
HBP	220-240	50	NS24HAEG	RSIR	P220MC	4TM706RFB				22	180	FC	6.4		
			NS36HAEG	RSIR	P330MC	4TM205RFB				22	180	FC	6.4		
			NS36HAEP*	CSIR	MTRP0032-15	4TM205RFB				22	180	FC	6.4		
			TS24HAEG*	RSIR						22	160	FC	5.9		
			TS36HAEG*	RSIR						22	160	FC	5.9		
			TS36HAEP*	CSIR						22	160	FC	5.9		
			NR45HAEG	RSIR	P330MC	4TM213SFB				22	210	FC	8.3		
			NR52HAEG	RSIR	P330MC	4TM724UFB				22	210	FC	8.8		
			NR62HAEG	RSIR	P330MC	4TM724UFB				22	210	FC	8.8		
			NR62HAEP	CSIR	MTRP0032-15	4TM724UFB		30/300		22	210	FC	8.8		
			LX72HAEG	RSIR	P470MC	4TM758UFB				22	310	FC	11.2		
			LX72HAEP	CSIR	MTRP0060-15	4TM758UFB		30/300		22	310	FC	11.2		
			LX86HAEG	RSIR	P470MC	4TM743UFB				22	310	FC	11.2		
			LX86HAEP	CSIR	MTRP0060-15	4TM758UFB		30/300		22	310	FC	11.2		
			LX95HAEG	RSIR	P470MC	4TM758UFB				22	310	FC	11.2		
			LX110HABM	RSCR	P470MD	4TM734UFB			4/400	22	310	FC	11.2		
			LX110HAEP	CSIR	MTRP0060-15	4TM758UFB		30/300		22	310	FC	11.2		
			110-115	60	NS36HAQG	RSIR	P6R8MC	RA12057-9010				22	180	FC	6.4
TS36HAQG*	RSIR								22	160	FC	5.9			
NR45HAQG	RSIR	P6R8MC			4TM419TFB				22	210	FC	8.3			
NR52HAQG	RSIR	P6R8MC			4TM762VFB				22	210	FC	8.8			
NR58HAQG	RSIR	P6R8MC			4TM762VFB				22	210	FC	8.8			
LX86HAQG	RSIR	P6R8MC			4TM795VFB				22	310	FC	11.2			
LX86HFQF	CSIR	P220MA			4TM795VFB		100/160		22	310	FC	11.2			
NR62HACP	CSIR	SC100			MRA12084-9012		100/160		22	210	FC	8.8			
LX72HACG	RSIR	P6R8MC			MRA12097-9010				22	310	FC	11.2			
115	60	LX86HACF	CSIR	P220MA	MRA12092-9010		100/160		22	310	FC	11.2			
		LX86HACG	RSIR	P220MC	MRA12092-9010				22	310	FC	11.2			
		LX95HACF	CSIR	P220MA	MRA12092-9010		100/160		22	310	FC	11.2			
		LX110HACF	CSIR	P220MA	4TM801VFB		100/160		22	310	FC	11.2			
		NR45HADM	RSCR	P220MD	4TM232NFB			4/300	22	210	FC	8.3			
		NR45HADG	RSIR	P330MC	4TM265RFB				22	210	FC	8.3			
220	60	NR52HADG	RSIR	P330MC	4TM734UFB				22	210	FC	8.8			
		NR58HADG	RSIR	P330MC	4TM265RFB				22	210	FC	8.8			
		LX72HFDG	RSIR	P470MC	4TM412RFB				22	310	FC	11.2			
		LX72HFDP	CSIR	MTRP0058-15	4TM758UFB		30/300		22	310	FC	11.2			
		LX86HFDP	CSIR	MTRP0058-15	4TM758UFB		30/300		22	310	FC	11.2			
		LX110HFDP	CSIR	SC075	MRA12113-9012		30/300		22	310	FC	11.2			
		LX125HFDP	CSIR	SC075	MRA12101		30/300		22	310	FC	11.2			
		TS24HAAG*	RSIR						22	160	FC	5.9			
		NS24HAAG	RSIR	P3R9MC	4TM739UFB				22	180	FC	6.4			

* : UNDER DEVELOPMENT

APPLICATION	VOLTAGE	FREQUENCY	MODEL	DISPLACEMENT	PERFORMANCE											
					50Hz @ ASHRAE (CALCULATED)					50Hz @ CECOMAF						
					CAPACITY (-23.3℃)			CONSUMPTION POWER		CoP	CAPACITY (-25.0℃)			CONSUMPTION POWER		CoP
					cc	kcal/h	w	Btu/h	w	w/w	kcal/h	w	Btu/h	w	w/w	
LBP	220-240	50	NR45NAEG	4.50	54	63	215	61	1.04	40	47	160	59	0.80		
			NR52NAEG	5.19	66	76	261	70	1.09	49	57	195	68	0.84		
			NR52NAEM	5.19	66	76	261	67	1.14	49	57	195	65	0.88		
			NR62NAEG	6.23	78	91	311	77	1.18	58	68	232	75	0.91		
			NR69NAEG	6.89	86	101	343	80	1.25	65	75	256	78	0.96		
			NR69NAEM	6.89	86	101	343	77	1.30	65	75	256	75	1.00		
			NR80NAEM*	8.06	96	111	380	90	1.24	71	83	283	87	0.95		
			NR88NAEM*	8.78	115	134	458	103	1.30	86	100	341	100	1.00		
			NR88NAEG	8.78	115	134	458	107	1.25	86	100	341	104	0.96		
			ND45NAEG	4.50	54	63	215	61	1.04	40	47	160	59	0.80		
			ND45NAEM	4.50	54	63	215	59	1.07	40	47	160	57	0.82		
			ND62NAEG	6.23	76	88	302	71	1.24	57	66	225	69	0.96		
			ND62NAEM	6.23	76	88	302	67	1.32	57	66	225	65	1.02		
			ND69NAEG	6.89	86	101	343	79	1.27	65	75	256	77	0.97		
			ND69NAEM	6.89	86	101	343	74	1.35	65	75	256	72	1.04		
			ND80NAEG	8.06	112	130	444	95	1.37	83	97	331	92	1.05		
			ND80NAEM	8.06	112	130	444	92	1.42	83	97	331	89	1.09		
			ND88NAEG	8.78	116	135	462	106	1.27	87	101	345	103	0.98		
			ND88NAEM	8.78	116	135	462	100	1.35	87	101	345	97	1.04		
			NDA52NAEG	5.23	67	78	265	64	1.22	50	58	198	62	0.94		
			NDA52NAEM*	5.23	67	78	265	62	1.26	50	58	198	60	0.97		
			NDA62NAEG	6.23	83	96	329	70	1.38	62	72	246	68	1.06		
			NDA62NAEM	6.23	83	96	329	67	1.44	62	72	246	65	1.11		
			NDA69NAEG	6.89	92	107	366	77	1.39	69	80	273	75	1.07		
			NDA69NAEM	6.89	92	107	366	74	1.44	69	80	273	72	1.11		
			NDA80NAEG	8.06	111	129	439	94	1.37	83	96	328	91	1.05		
			NDA80NAEM	8.06	111	129	439	89	1.44	83	96	328	87	1.11		
			NDA88NAEG	8.78	124	145	494	104	1.39	93	108	369	101	1.07		
			NDA88NAEM	8.78	124	145	494	98	1.47	93	108	369	96	1.13		
			MB62NAEG	6.24	86	101	343	68	1.48	65	75	256	66	1.14		
			MB62NAEM	6.24	86	101	343	64	1.57	65	75	256	62	1.21		
			MB69NAEM*	6.90	103	119	407	75	1.58	77	89	304	73	1.22		
			MB82NAEG	8.15	122	142	485	94	1.51	91	106	362	91	1.16		
			MB82NAEM	8.15	122	142	485	89	1.60	91	106	362	86	1.23		
			MB88NAEM*	8.84	130	151	517	96	1.58	97	113	386	93	1.22		
			MC53NAEM*	5.25	75	87	297	53	1.64	56	65	222	52	1.26		
			MC57NAEM*	5.71	83	96	329	59	1.64	62	72	246	57	1.26		
			MC62NAEM*	6.24	90	105	357	62	1.68	67	78	266	60	1.29		
			MC69NAEM*	6.9	103	119	407	71	1.68	77	89	304	69	1.29		
			MC72NAEM*	7.23	107	125	425	73	1.72	80	93	318	70	1.32		
MC82NAEM*	8.15	121	141	480	82	1.72	90	105	358	80	1.32					
MC88NAEM*	8.84	130	151	517	87	1.74	97	113	386	84	1.34					
MC98NAEM*	9.83	144	168	572	96	1.74	108	125	427	93	1.34					
LX110NAEM	11.03	115	134	458	117	1.15	115	134	458	117	1.15					
LX125NAEM*	12.54	131	152	519	123	1.24	131	152	519	123	1.24					
	110	50/60	MB98NAAH	9.83	176	205	700	124	1.66	132	153	522	120	1.28		

APPLICATION	VOLTAGE	FREQUENCY	MODEL	DISPLACEMENT	PERFORMANCE											
					60Hz @ ASHRAE (CALCULATED)					60Hz @ CECOMAF						
					CAPACITY (-23.3℃)			CONSUMPTION POWER		CoP	CAPACITY (-25.0℃)			CONSUMPTION POWER		CoP
					cc	kcal/h	w	Btu/h	w	w/w	kcal/h	w	Btu/h	w	w/w	
LBP	220	60	NR52NADG	5.19	82	95	325	80	1.55	61	71	242	80	0.89		
			NR62NADG	6.23	85	99	339	93	1.39	64	74	253	93	0.80		
	110	50/60	MB98NAAH	9.83	201	233	796	137	1.70	150	174	593	133	1.31		

Performance Datasheet (LGE) : R600a

* : UNDER DEVELOPMENT

APPLICATION	VOLTAGE	FREQUENCY	MODEL	MOTOR TYPE	ELECTRICAL PARTS				OIL		COOLING TYPE	NET WEIGHT
					STARTING DEVICE	MOTOR PROTECTOR	CAPACITOR		VISCOSITY	QTY		kg
	STARTING	RUNNING										
	MFD/VAC	MFD/VAC					cSt	cc				
LBP	220-240	50	NR45NAEG	RSR	P330MC	4TM149NFB			10	210	ST	8.3
			NR52NAEG	RSR	P330MC	4TM104RFB			10	210	ST	8.3
			NR52NABM	RSCR	P330MD	4TM104KFB	3/400		10	210	ST	8.3
			NR62NAEG	RSR	P330MC	4TM149NFB			10	210	ST	8.3
			NR69NAEG	RSR	P330MC	4TM149NFB			10	250	ST	8.8
			NR69NABM	RSCR	P330MD	4TM149NFB	4/400		10	250	ST	8.8
			NR80NABM*	RSCR					10	250	ST	8.8
			NR88NABM*	RSCR					10	250	ST	8.8
			NR88NAEG	RSR	P330MC	4TM166RFB			10	250	ST	8.8
			ND45NAEG	RSR	P330MC	4TM149NFB			10	210	ST	8.3
			ND45NABM	RSCR	P330MD	4TM104KFB	3/400		10	210	ST	8.3
			ND62NAEG	RSR	P330MC	4TM149NFB			10	210	ST	8.3
			ND62NABM	RSCR	P330MD	4TM104KFB	4/400		10	210	ST	8.3
			ND69NAEG	RSR	P330MC	4TM149NFB			10	250	ST	8.8
			ND69NABM	RSCR	P330MD	4TM149NFB	4/400		10	250	ST	8.8
			ND80NAEG	RSR	P330MC	4TM166RFB			10	250	ST	8.8
			ND80NABM	RSCR	P330MD	4TM149NFB	3/400		10	250	ST	8.8
			ND88NAEG	RSR	P330MC	4TM166RFB			10	250	ST	8.8
			ND88NABM	RSCR	P330MD	4TM149NFB	4/300		10	250	ST	8.8
			NDA52NAEG	RSR	P330MC	4TM149NFB			10	210	ST	8.3
			NDA52NABM*	RSCR					10	210	ST	8.3
			NDA62NAEG	RSR	P330MC	4TM149NFB			10	210	ST	8.3
			NDA62NABM	RSCR	P330MD	4TM149NFB	4/400		10	210	ST	8.3
			NDA69NAEG	RSR	P330MC	4TM149NFB			10	250	ST	8.8
			NDA69NABM	RSCR	P330MD	4TM149NFB	4/400		10	250	ST	8.8
			NDA80NAEG	RSR	P330MC	4TM166RFB			10	250	ST	8.8
			NDA80NABM	RSCR	P330MD	4TM166RFB	4/400		10	250	ST	8.8
			NDA88NAEG	RSR	P330MC	4TM166RFB			10	250	ST	8.8
			NDA88NABM	RSCR	P330MD	4TM149NFB	4/400		10	250	ST	8.8
			MB62NAEG	RSR	P330MC	4TM149NFB			10	220	ST	8.9
			MB62NABM	RSCR	P330MD	4TM149NFB	3/400		10	220	ST	8.9
			MB69NABM*	RSCR					10	220	ST	8.9
			MB82NAEG	RSR	P330MC	4TM174TFB			10	220	ST	9.4
			MB82NABM	RSCR	P330MD	4TM174TFB	4/400		10	220	ST	9.4
			MB88NABM*	RSCR					10	220	ST	9.4
			MC53NABM*	RSCR					10	220	ST	8.9
			MC57NABM*	RSCR					10	220	ST	8.9
			MC62NABM*	RSCR					10	220	ST	8.9
			MC69NABM*	RSCR					10	220	ST	8.9
			MC72NABM*	RSCR					10	220	ST	9.4
			MC82NABM*	RSCR					10	220	ST	9.4
			MC88NABM*	RSCR					10	220	ST	9.4
			MC98NABM*	RSCR					10	220	ST	9.4
			LX110NABM	RSCR	P330MD	4TM174TFB	4/400		10	310	ST	11
			LX125NABM*	RSCR					10	310	ST	11
	110	50/60	MB98NAAH	CSR	P6R8MB	4TM412RFB	100/160	12/250	10	220	ST	9.4

APPLICATION	VOLTAGE	FREQUENCY	MODEL	MOTOR TYPE	ELECTRICAL PARTS				OIL		COOLING TYPE	NET WEIGHT
					STARTING DEVICE	MOTOR PROTECTOR	CAPACITOR		VISCOSITY	QTY		kg
	STARTING	RUNNING										
	MFD/VAC	MFD/VAC					cSt	cc				
LBP	220	60	NR52NADG	RSR	P220MC	4TM149NFB			10	210	ST	8.3
			NR62NADG	RSR	P220MC	4TM149NFB			10	210	ST	8.3
	110	50/60	MB98NAAH	CSR	P6R8MB	4TM412RFB	100/160	12/250	10	220	ST	9.4

Performance Datasheet (LGETR) : R12, R134a, R600a

R12

* : UNDER DEVELOPMENT

APPLICATION	VOLTAGE	FREQUENCY	MODEL	DISPLACEMENT	PERFORMANCE									
					50Hz @ ASHRAE					60Hz @ ASHRAE				
					CAPACITY (-23.3℃)			CONSUMPTION POWER	EER	CAPACITY (-23.3℃)			CONSUMPTION POWER	EER
					cc	kcal/h	w	Btu/h	w	Btu/w·h	kcal/h	w	Btu/h	w
LBP	220	50	NR45A31A	4.50	97	113	385	103	3.74					
	220	50	NR52A21A	5.19	114	133	453	133	3.40					
	220	50	NR62A21A	6.23	133	155	528	151	3.50					
	220~240	50	NR52A31A	5.19	115	134	457	122	3.74					
	220~240	50	NR62A31A	6.23	150	174	596	146	4.08					

R134a

APPLICATION	VOLTAGE	FREQUENCY	MODEL	DISPLACEMENT	PERFORMANCE									
					50Hz @ ASHRAE					60Hz @ ASHRAE				
					CAPACITY (-23.3℃)			CONSUMPTION POWER	EER	CAPACITY (-23.3℃)			CONSUMPTION POWER	EER
					cc	kcal/h	w	Btu/h	w	Btu/w·h	kcal/h	w	Btu/h	w
LBP	220	50	NR45L31A	4.50	86	99	339	103	3.30					
			NR52L31A	5.19	108	126	429	108	3.97					
			NR52L32A	5.19	108	126	429	104	4.12					
			NR62L31A	6.23	133	155	528	137	3.85					
			NR62L22A	6.23	133	155	528	128	4.13					
			ND62L31A	6.23	133	155	528	128	4.13					
			ND62L32A	6.23	142	165	564	128	4.40					
			MA42LAJG*	4.20	90	105	358	94	3.81					
			MA47LAJG*	4.70	100	116	396	101	3.91					
			MA53LAJG*	5.30	123	143	488	110	4.44					
			MA53LBJG*	5.30	122	142	484	115	4.21					
			MA57LBJG*	5.70	140	163	556	132	4.21					
			MA62LAJG*	6.20	144	168	573	137	4.20					
	220-240	50	MA47LABM†	4.70	102	119	406	95	4.28					
			MB47LABM†	4.70	102	119	406	88	4.60					
			MA53LAEG*	5.30	122	142	484	105	4.60					
			MA53LABM†	5.30	122	142	484	99	4.90					
			MA57LAEG*	5.70	138	160	548	119	4.60					
			MA57LABM†	5.70	138	160	548	110	4.98					
			MA62LABM†	6.20	144	168	573	117	4.92					
MA69LABM†	6.90	158	184	628	127	4.94								
115	60	MA53LACM†	5.30	150	174	596	122	4.88						
		MA57LACM†	5.70	173	201	687	130	5.28						
100	50/60	MA53LAAH†	5.30	122	142	484	109	4.44	154	179	611	117	5.22	
		NR62L14A	6.23	131	152	520	144	3.61						
		MA57LAAH†	5.70	138	160	548	119	4.61	170	198	675	133	5.06	

R600a

APPLICATION	VOLTAGE	FREQUENCY	MODEL	DISPLACEMENT	PERFORMANCE									
					50Hz @ ASHRAE					60Hz @ ASHRAE				
					CAPACITY (-23.3℃)			CONSUMPTION POWER	EER	CAPACITY (-23.3℃)			CONSUMPTION POWER	EER
					cc	kcal/h	w	Btu/h	w	Btu/w·h	kcal/h	w	Btu/h	w
LBP	220~240	50	NDA52NAEG*	5.20	67	78	267	64	4.16					
			NDA52NAEM†	5.20	67	78	267	62	4.30					
			NDA62NAEG*	6.20	84	97	332	70	4.71					
			NDA62NAEM†	6.20	84	97	332	68	4.92					
			NDA69NAEG*	6.90	93	108	369	78	4.74					
			NDA69NAEM†	6.90	93	108	369	75	4.92					
			NDA80NAEG*	8.00	111	130	442	95	4.68					
			NDA80NAEM†	8.00	111	130	442	90	4.92					
			NDA88NAEG*	8.80	125	146	498	105	4.74					
			NDA88NAEM†	8.80	125	146	498	99	5.02					
			NR69NAEM†	6.90	87	102	347	80	4.33					
			MB88NAEG*	8.80	130	151	516	103	5.01					
			MB88NAEM†	8.80	130	151	516	97	5.30					
			MB98NAEG*	9.80	145	169	576	110	5.23					
			MB98NAEM†	9.80	145	169	576	104	5.54					
	100	50/60	MB88NAAH†	8.83	130	151	516	107	4.85	145	169	576	117	4.93
			MB98NAAH†	9.80	154	179	611	124	4.93	175	203	695	137	5.07

R152a + R22

APPLICATION	VOLTAGE	FREQUENCY	MODEL	DISPLACEMENT	PERFORMANCE									
					50Hz @ ASHRAE					60Hz @ ASHRAE				
					CAPACITY (-23.3℃)			CONSUMPTION POWER	EER	CAPACITY (-23.3℃)			CONSUMPTION POWER	EER
					cc	kcal/h	w	Btu/h	w	Btu/w·h	kcal/h	w	Btu/h	w
LBP	220	50	NR45P31A	4.5	95	110	377	99	3.81					
			NR52P31A	5.19	113	131	449	117	3.83					
			NR62P31A	6.23	127	148	504	130	3.88					

Performance Datasheet (LGETR) : R12, R134a, R600a

R12

* : UNDER DEVELOPMENT

APPLICATION	VOLTAGE	FREQUENCY	MODEL	MOTOR TYPE	ELECTRICAL PARTS				OIL		COOLING TYPE	NET WEIGHT
					STARTING DEVICE	MOTOR PROTECTOR	CAPACITOR		VISCOSITY	QTY		
							STARTING	RUNNING				
							MFD/VAC	MFD/VAC				
V	Hz	kg										
LBP	220	50	NR45A31A	RSIR	PE10M	DRB18R61A 1			22		ST	8.4
	220	50	NR52A21A	RSIR	PE10M	DRB24S61A 1			22		ST	8.4
	220	50	NR62A21A	RSIR	PE10M	DRB24S61A 1			22		ST	8.4
	220~240	50	NR52A31A	RSIR	PF10M	DRB26V61A 1			22		ST	8.8
	220~240	50	NR62A31A	RSIR	PF10M	DRB24S61A 1			22		ST	8.8

R134a

APPLICATION	VOLTAGE	FREQUENCY	MODEL	MOTOR TYPE	ELECTRICAL PARTS				OIL		COOLING TYPE	NET WEIGHT	
					STARTING DEVICE	MOTOR PROTECTOR	CAPACITOR		VISCOSITY	QTY			
							STARTING	RUNNING					
							MFD/VAC	MFD/VAC					cSt
V	Hz	kg											
LBP	220	50	NR45L31A	RSIR	PE10M	DRB18R61A 1			22		ST	8.4	
			NR52L31A	RSIR	PF10M	DRB23R61A 1			22		ST	8.4	
			NR52L32A	RSCR	PF10D	DRB23R61A 1		3/400	22		ST	8.4	
			NR62L31A	RSIR	PF10M	DRB23R61A 1			22		ST	8.8	
			NR62L22A	RSIR	PF10D	DRB23R61A 1		3/400	22		ST	8.8	
			ND62L31A	RSIR	PF10M	DRB25V61A 1			22		ST	8.8	
			ND62L32A	RSCR	PF10D	DRB25V61A 1		3/400	22		ST	8.8	
			MA42LAJG*	RSIR									
			MA47LAJG*	RSIR									
			MA53LAJG*	RSCR	PF10M	DRB24S61A 1		5/400	15		ST	8.6	
	MA53LBJG*	RSIR	PF10M	DRB24S61A 1			15		ST	8.6			
	MA57LBJG*	RSIR	PF10M	4TM232TFB			15		ST	9			
	MA62LAJG*	RSIR											
	220-240	50	MA47LABM*	RSCR									
			MB47LABM*	RSCR									
			MA53LAEG*	RSIR	PF10M	DRB23R61A 1			15		ST	8.6	
			MA53LABM*	RSCR	PF10D	DRB17R61A 1		5/400	15		ST	8.6	
			MA57LAEG*	RSIR	PF10M	DRB23R61A 1			15		ST	9	
			MA57LABM*	RSCR	PF10D	DRB17R61A 1			15		ST	9	
	MA62LABM*	RSCR											
MA69LABM*	RSCR												
115	60	MA53LACM*	RSCR	P6R8MB	4TM314TFB	15/220		15		ST	8.6		
		MA57LACM*	RSCR	P6R8MB	4TM314TFB	15/220		15		ST	9		
100	50/60	MA53LAAH*	CSR	P6R8MB	4TM314TFB	10/250		15		ST	8.6		
		NR62L14A	CSR	P6R8MB	4TM419TFB	50/200	14/220	22		ST	8.8		
		MA57LAAH*	CSR	P6R8MB	4TM314TFB	10/250		15		ST	9		

R600a

APPLICATION	VOLTAGE	FREQUENCY	MODEL	MOTOR TYPE	ELECTRICAL PARTS				OIL		COOLING TYPE	NET WEIGHT
					STARTING DEVICE	MOTOR PROTECTOR	CAPACITOR		VISCOSITY	QTY		
							STARTING	RUNNING				
							MFD/VAC	MFD/VAC				
V	Hz	kg										
LBP	220~240	50	NDA52NAEG*		PF10M	4TM149NFB			15		ST	8.4
			NDA52NABM*		PF10D	4TM149NFB		4/400	15		ST	8.8
			NDA62NAEG*		PF10M	4TM149NFB			15		ST	8.8
			NDA62NABM*		PF10D	4TM149NFB		4/400	15		ST	8.8
			NDA69NAEG*		PF10M	4TM149NFB			15		ST	8.8
			NDA69NABM*		PF10D	4TM149NFB		4/400	15		ST	8.8
			NDA80NAEG*		PF10M	DRB18R61A 1			15		ST	8.8
			NDA80NABM*		PF10D	4TM166NFB		4/400	15		ST	8.8
			NDA88NAEG*		PF10M	DRB18R61A 1			15		ST	8.8
			NDA88NABM*		PF10D	4TM149NFB		4/400	15		ST	8.8
	NR69NABM*		PF10D	4TM149NFB		4/400	15		ST	8.8		
	MB88NAEG*		PF10M	4TM174TFB			10		ST	9.3		
	MB88NABM*		PF10D	DRB17R61A 1		4/400	10		ST	9.3		
	MB98NAEG*		PF10M	4TM174TFB			10		ST	9.3		
	MB98NABM*		PF10D	4TM174TFB		5/400	10		ST	9.3		
	100	50/60	MB88NAAH*		P6R8MB	4TM314TFB	12/250	100/160	10		ST	9.3
			MB98NAAH*		P6R8MB	4TM412TFB	12/250	100/160	10		ST	9.3

R152a + R22

APPLICATION	VOLTAGE	FREQUENCY	MODEL	MOTOR TYPE	ELECTRICAL PARTS				OIL		COOLING TYPE	NET WEIGHT
					STARTING DEVICE	MOTOR PROTECTOR	CAPACITOR		VISCOSITY	QTY		
							STARTING	RUNNING				
							MFD/VAC	MFD/VAC				
V	Hz	kg										
LBP	220	50	NR45P31A	RSIR	PE10M	DRB18R61A 1			22		ST	8.4
			NR52P31A	RSIR	PE10M	DRB24S61A 1			22		ST	8.4
			NR62P31A	RSIR	PF10M	DRB24S61A 1			22		ST	8.8

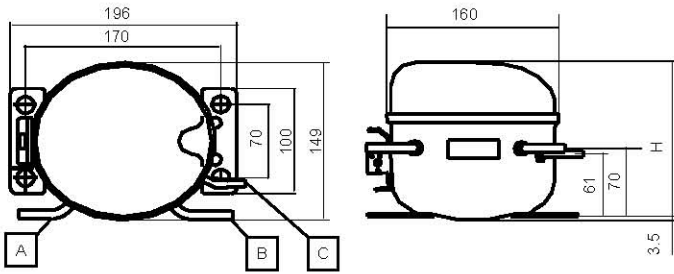
* : UNDER DEVELOPMENT

APPLICATION	VOLTAGE	FREQUENCY	MODEL	DISPLACEMENT	PERFORMANCE										
					50Hz @ ASHRAE					60Hz @ ASHRAE					
					CAPACITY (-23.3℃)			CONSUMPTION POWER		EER	CAPACITY (-23.3℃)			CONSUMPTION POWER	EER
					cc	kcal/h	w	Btu/h	w	Btu/w h	kcal/h	w	Btu/h	w	Btu/w h
LBP	220	50	MA42LBJG	4.16	99	115	393	94	4.18						
			MA53LBJG	5.25	125	145	496	118	4.21						
			MA57LBJG	5.71	140	163	556	132	4.21						

APPLICATION	VOLTAGE	FREQUENCY	MODEL	MOTOR TYPE	ELECTRICAL PARTS				OIL		COOLING TYPE	NET WEIGHT
					STARTING DEVICE	MOTOR PROTECTOR	CAPACITOR		VISCOSITY	QTY		
							STARTING	RUNNING				
							MFD/VAC	MFD/VAC				
V	Hz							kg				
LBP	220	50	MA42LBJG	RSIR	F330MC	4TM158RFB			22	220	ST	8.6
			MA53LBJG	RSIR	F330MC	4TM232TFB			22	220	ST	8.6
			MA57LBJG	RSIR	F330MC	4TM232TFB			22	220	ST	9.1

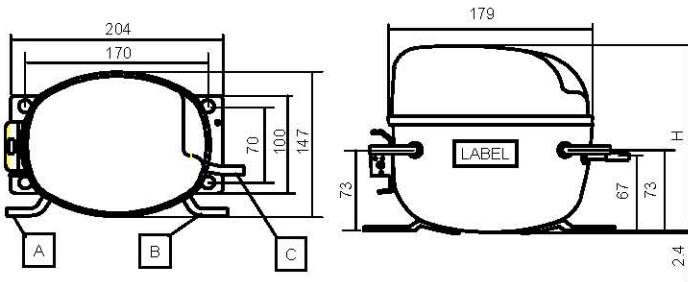
Compressor Dimension

NS / NSA / NSB



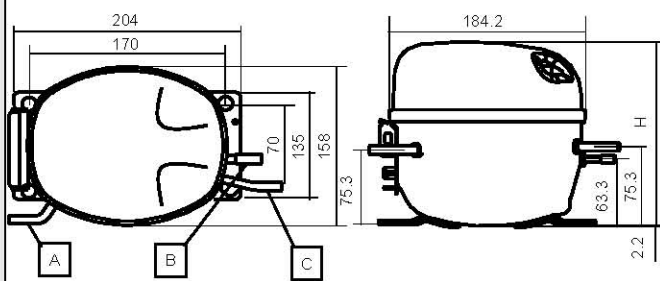
Series	H	A		B		C	
		SUCTION		PROCESS		DISCHARGE	
		ID	T	ID	T	ID	T
NS(A)24L	147	6.14	0.7	4.15	0.7	4.95	0.7
		6.54	0.9	5.0	0.85	6.14	0.9
		8.12	1.0	5.1	0.9	6.54	1.0
NS(A)30/36/43 NS(B)24/30/36/ 43	157			6.45		8.12	
				6.55			
				6.6			

NR / ND / NDA



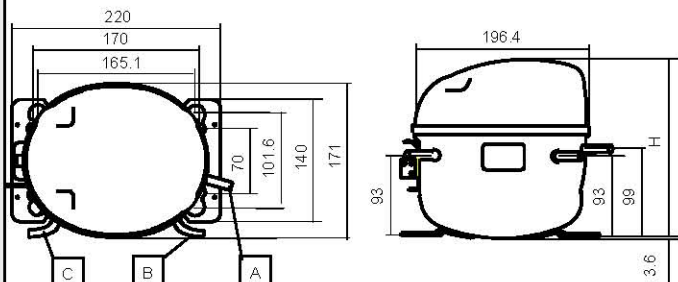
Series	H	A		B		C	
		SUCTION		PROCESS		DISCHARGE	
		ID	T	ID	T	ID	T
NR45/52 L NR45/52/62 N ND45/52 N NR45 H	172	6.14	0.7	4.15	0.7	4.95	0.7
		6.54	0.9	5.0	0.85	6.14	0.9
		8.12	1.0	5.1	0.9	6.54	1.0
NR58/62 L ND52/58 L NR69/80/88 N ND(A)62/69/80/ 88 N NR52/58/62 H	176			6.45		8.12	
				6.55			
				6.6			

MA / MB / MC



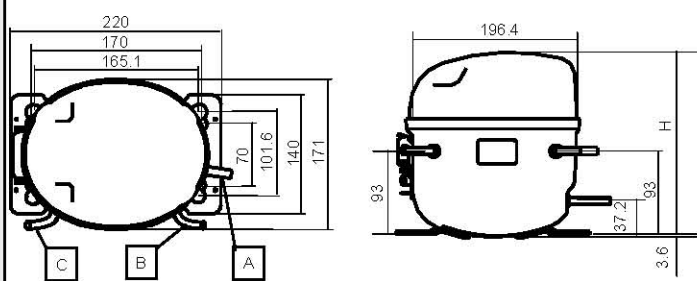
Series	H	A		B		C	
		SUCTION		DISCHARGE		PROCESS	
		ID	T	ID	T	ID	T
MA42/47/53 MB42/47/53/57N MC42/47/53/57	172	6.14	0.7	4.15	0.7	4.95	0.7
		6.54	0.9	5.0	0.85	6.14	0.9
		8.12	1.0	5.1	0.9	6.54	1.0
MA57/62/69/72/82/88/98 MB42/47 MB62/69/75N MB82/88/98N MC62/69/75/82/88/98	180			6.45		8.12	
				6.55			
				6.6			
MB 53/57/62/69/72 MB 82/88/98	182						

LX



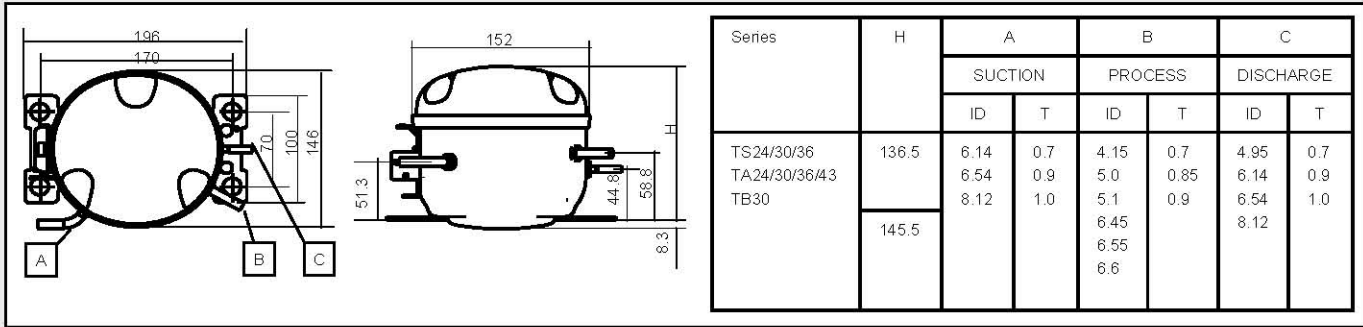
Series	H	A		B		C	
		SUCTION		DISCHARGE		PROCESS	
		ID	T	ID	T	ID	T
LX67/72/86	200	6.14	0.7	4.15	0.7	4.95	0.7
		6.54	0.9	5.0	0.85	6.14	0.9
		8.12	1.0	5.1	0.9	6.54	1.0
LX86/95/110/ 125	203			6.45		8.12	
				6.55			
				6.6			

LA / LC / LD

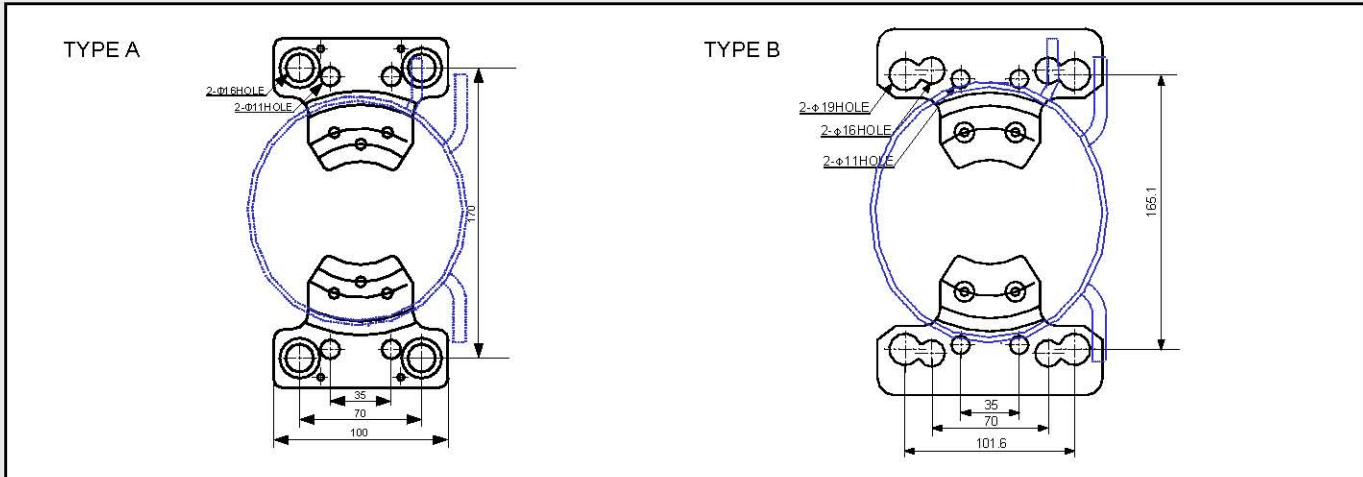


Series	H	A		B		C	
		SUCTION		DISCHARGE		PROCESS	
		ID	T	ID	T	ID	T
LA 62/67/72	200	6.14	0.7	4.15	0.7	4.95	0.7
		6.54	0.9	5.0	0.85	6.14	0.9
LA72/80/88/95 LC62/67/72/80/ 86/95 LD62/67/72/80/ 86/95	203	8.12	1.0	5.1	0.9	6.54	1.0
				6.45		8.12	
				6.55			
				6.6			

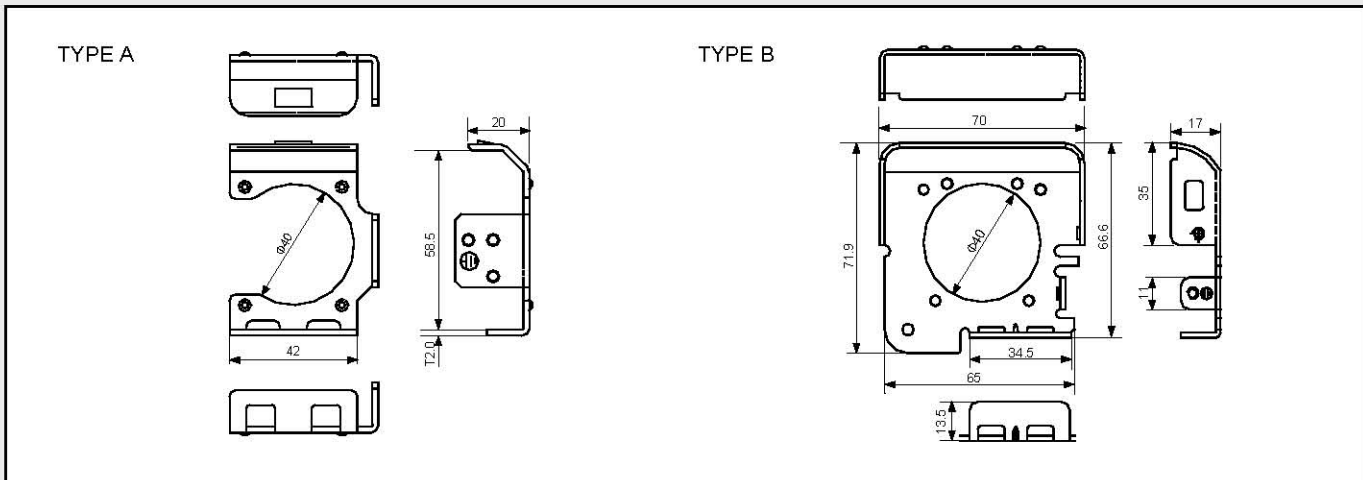
TS



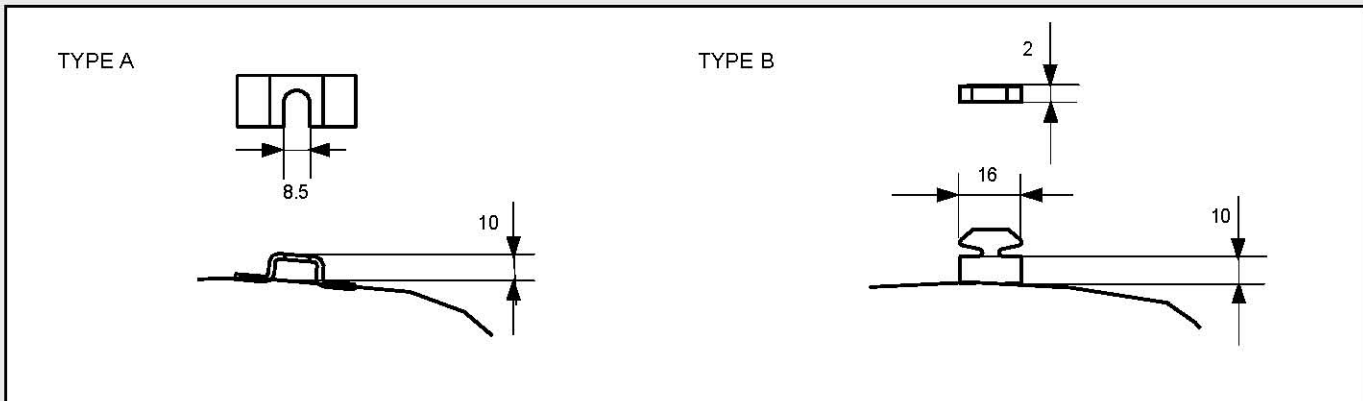
MOUNTINGS



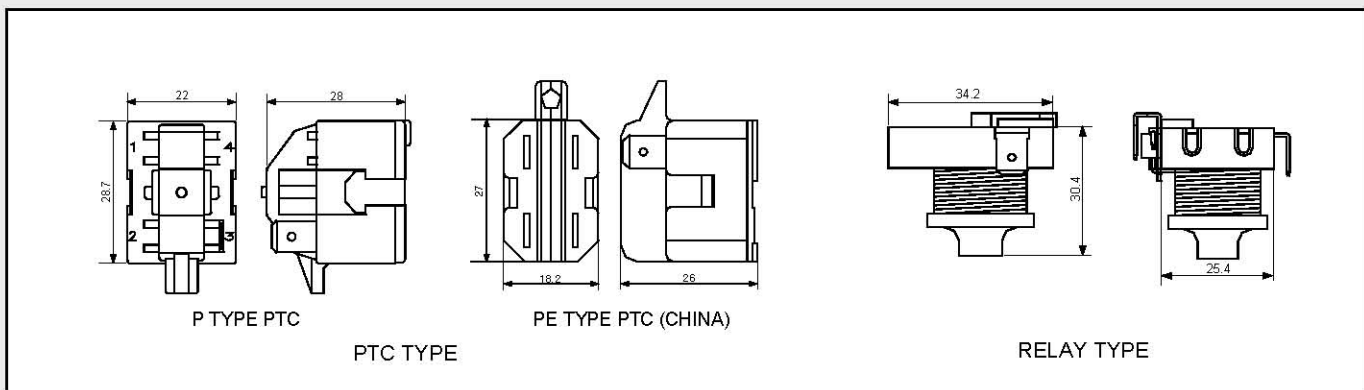
TERMINAL PROTECTOR



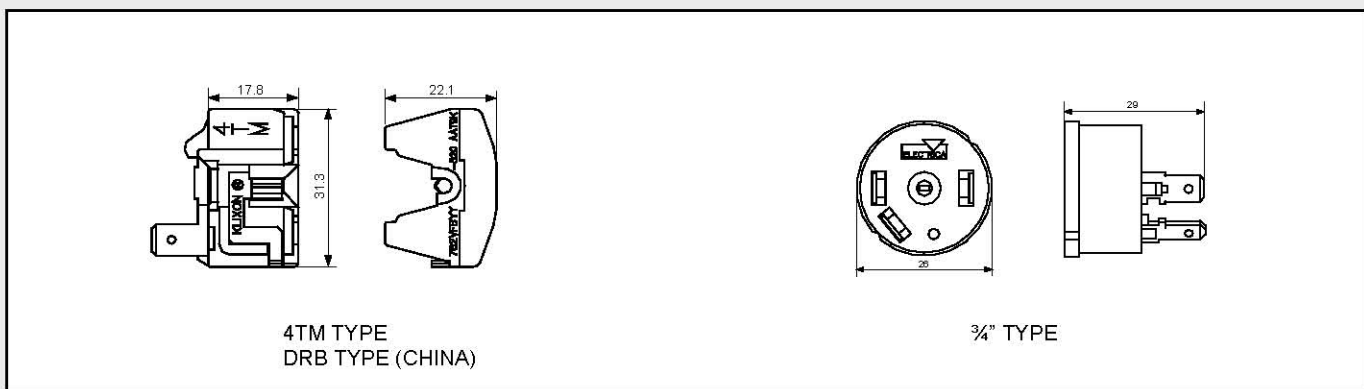
OMEGA HEAD



STARTING DEVICE



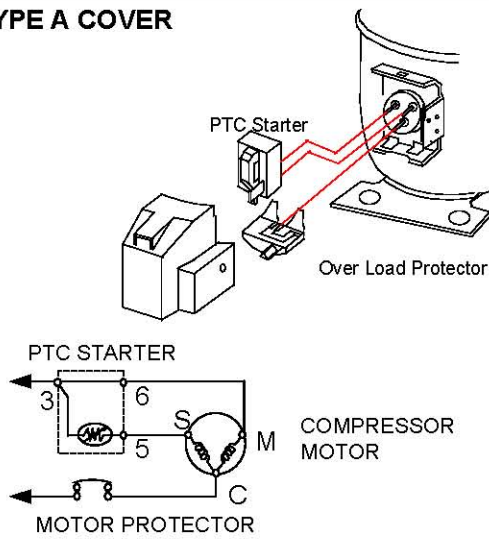
MOTOR PROTECTOR



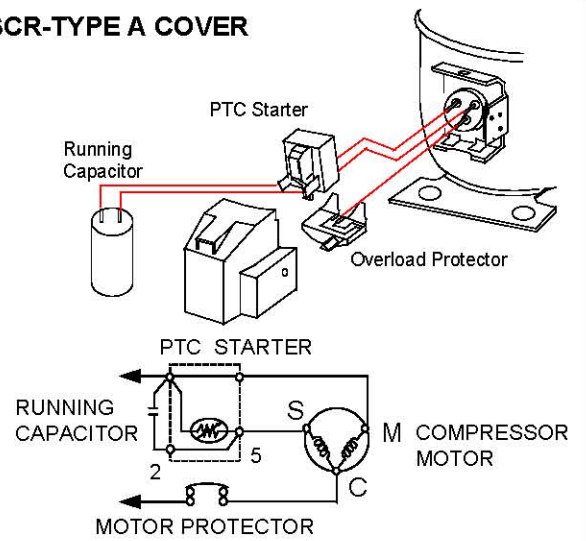
MOUNTING PARTS

TYPE	GROMMET	SLEEVE BOLT
<p>4A type</p>		
<p>5A type</p>		
<p>7A type</p>		
<p>4A snap on type</p>		

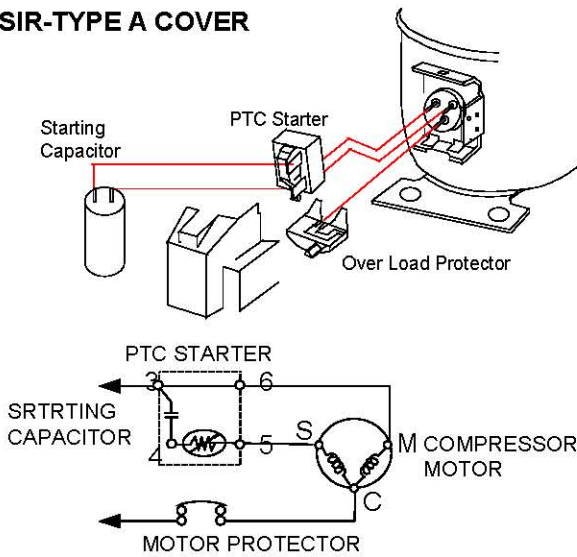
RSIR-TYPE A COVER



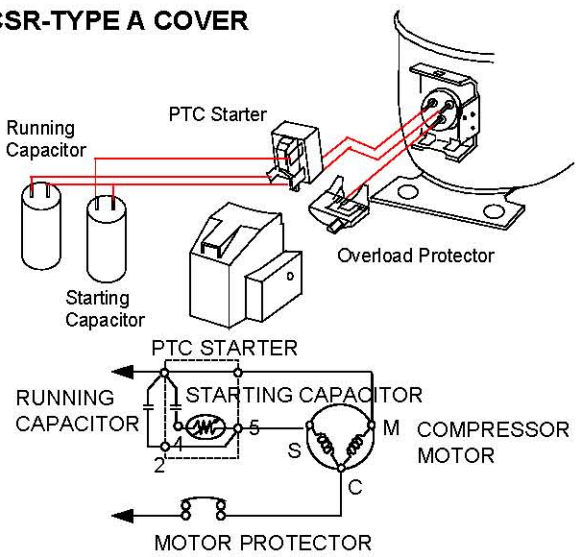
RSCR-TYPE A COVER



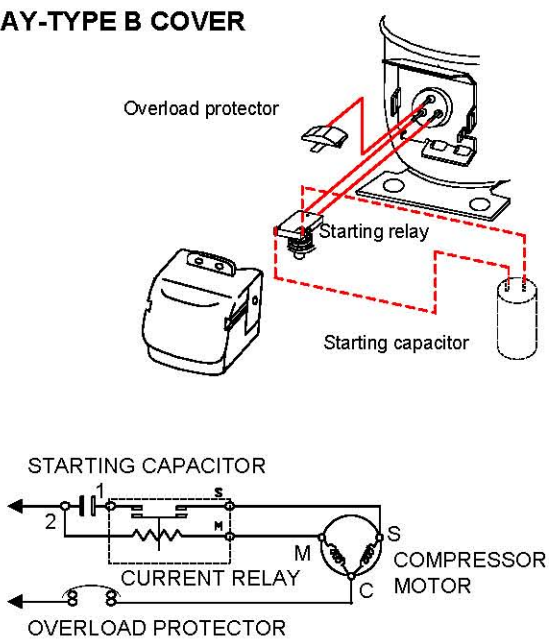
CSIR-TYPE A COVER



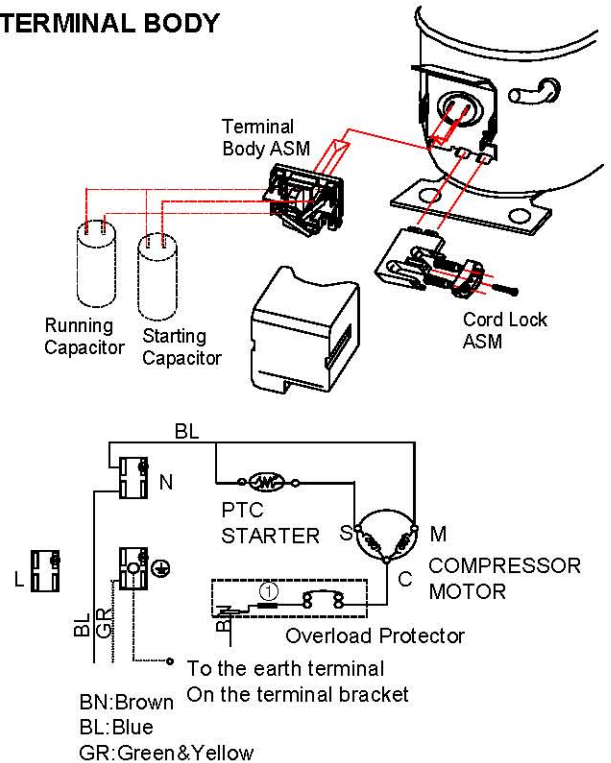
CSR-TYPE A COVER

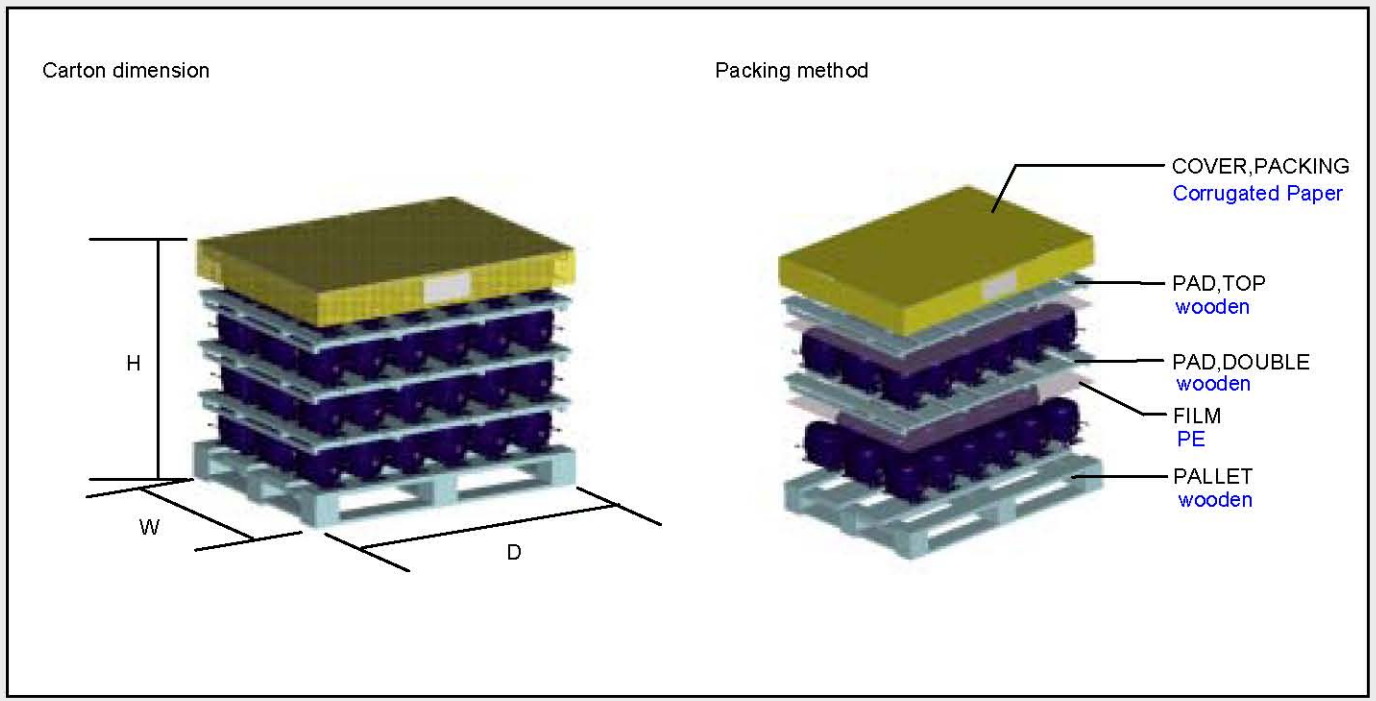


RELAY-TYPE B COVER



TERMINAL BODY





Model	Carton					Container (below 15.3Ton)		Ccontainer (below 17.5Ton)	
	Q'ty (EA)	Array (WXDXH)	Dimension			Q'ty (EA)	CNTR weight (kg)	Q'ty (EA)	CNTR weight (kg)
			W (mm)	D (mm)	H (mm)				
NS24,NSA24,NSB24	125	5X5X5	1,100	800	950	2,375	15,325	2,750	17,650
NS30/36,NSA30/36 NSB30/36,NS24LB	125	5X5X5	1,100	800	1,000	2,125	15,050	2,500	17,600
NS30/36 O-Head	125	5X5X5	1,100	800	1,015	2,125	15,050	2,500	17,600
NSA43,NSB43	125	5X5X5	1,100	800	1,015	2,000	15,200	2,250	17,025
NR45/52	90	3X6X5	1,100	800	1,051	1,620	14,946	1,890	17,337
NR58/62/80/88, ND40LBCM ND62/80/88, NDA62/69/80/88	90	3X6X5	1,100	800	1,083	1,530	14,914	1,800	17,440
NR** O-HEAD,NA** O-HEAD ND** O-HEAD	72	3X6X4	1,100	800	901	1,512	14,956	1,800	17,690
MA53,MA57	72	3X6X4	1,100	800	876	1,440	14,992	1,656	17,151
MB53	72	3X6X4	1,100	800	916	1,368	14,956	1,584	17,223
MB62/69	72	3X6X4	1,100	800	916	1,584	15,481	1,800	17,510
MB82/98	72	3X6X4	1,100	800	916	1,440	15,280	1,656	17,482
LX67/72	64	4X4X4	1,100	800	997	1,280	15,552	1,408	17,047
LX67/72 O-HEAD	64	4X4X4	1,100	800	1,012	1,280	15,552	1,408	17,047
LX86/95/110/123	64	4X4X4	1,100	800	1,009	1,216	15,169	1,408	17,470
LX86/95/110/123 O-HEAD	64	4X4X4	1,100	800	1,024	1,216	15,169	1,408	17,470
TS36LADG	150	5X5X6	1,100	800	1,046	2,700	15,540	3,000	17,200

1. Compressor Application Range

1-1. Refrigerant

R(or HFC) 134a (CF₃ CH₂ F) is exclusively used as the refrigerant of which the purity shall be more than 99.95%.

1-2. Evaporator temperature and pressure.

Temperature of evaporator must be in the range between -30°C (-22°F) and -5°C (23°F). In case that evaporator temperature goes down much lower than -30°C (-22°F), motor is overheated and the temperature of discharge gas and lubricating oil increases, finally the life of compressor can be possibly affected. If evaporator temperature is higher than -5°C (23°F), discharge pressure increases, so compressor is under overload, which accelerates wears of the compressor components and eventually shortens the life of compressor.

< Relationship between temperature and pressure >

Temperature	Pressure
-30 °C (-22 °F)	-0.17 kg/cm ² G (-2.39 psig)
-25 °C (-13 °F)	0.06 kg/cm ² G (0.81 psig)
-20 °C (-4 °F)	0.33 kg/cm ² G (4.62 psig)
-15 °C (5 °F)	0.64 kg/cm ² G (9.15 psig)
-10 °C (14 °F)	1.02 kg/cm ² G (14.47 psig)
- 5 °C (23 °F)	1.45 kg/cm ² G (20.67 psig)

1-3. Condensing Temperature and Pressure.

Temperature and pressure of condenser in continuous operation mode at the ambient temperature of 43°C (110°F) should not exceed 55°C (131°F) and 14.2kg/cm²G (202 psig), and also instant peak load should not exceed 65°C (149°F) and 18.2kg/cm²G (259 psig) during the pull down period. This is because shortage of compressor life possibly occurs and electricity consumption increases, if condenser temperature exceed 55°C (131°F). In case that condenser temperature exceed 55°C (131°F) on the design base of refrigeration system, the decline of life and the increase of electricity consumption can be prevented by applying an appropriate oil cooling or fan cooling device to the system.

1-4. Winding Temperature of Motor.

Winding temperature of motor at the ambient temperature of 43°C (110°F) must be lower than 120°C (248°F), if exceeds this temperature, motor is overloaded, which causes shortage of motor life. Winding temperature of motor is calculated using the winding resistance as is shown in the equation below. After compressor is stopped, resistances of main winding and supplementary winding should be measured as soon as possible, which results in exact winding temperatures of motor.

< Winding temperature calculation equation >

$$T_2 = (R_2 / R_1)(234.5 + T_1) - 234.5$$

T₂ = the winding temperature at the end of test

T₁ = the room temperature at the beginning of the test

R₂ = the resistance at the end of the test

R₁ = the resistance at the beginning of the test

1-5. Discharge Gas Temperature.

Discharge gas temperature at the ambient temperature of 43°C (110°F) should be such that the temperature of discharge tube about 50mm (2 inch) apart from compressor surface should be kept lower than 120°C (248°F).

Discharge gas temperature is kept as low as possible to prevent thermal degradation of oil and preserve compressor life in long term. If it exceeds 110°C (230°F), harmful sludge is accumulated on the periphery of the valves.

1-6. Compressor Shell Temperature.

Compressor shell temperature, if winding temperature of motor and discharge gas temperature are kept in the range allowed, is free from regulation. When shell temperature of compressor is required, the temperature of top position of compressor is measured.

1-7. Suction Gas Temperature.

Suction gas temperature should be such that the temperature at periphery of suction tube about 150mm (6 inches) apart from compressor surface be maintained at the similar range of super-heating with the ambient temperature.

Especially, winding temperature of motor and discharge gas temperature are kept within the temperature range allowed.

2. Compatibility of Compressor with Refrigeration System.

2-1. Supply Voltage.

Electric circuit is made such that supplying voltage to refrigeration system matches the value listed on the name plate of the compressor under working, and supplying voltage should be kept more than 90% of the listed value at start-up and also during operation. If there is some problem in keeping the supplying voltage more than 90% of the listed value, the alternative design can be negotiated between customer and LG.

2-2. Electric Components of Compressor.

Electric components such as OLP, PTC, Capacitor of compressor should be selected inevitably according to the specification provided to the corresponding compressor.

2-3. ON-OFF Cycle of the Refrigeration System.

When compressor equipped in refrigeration system is under ON/OFF cycle so that operation and stop are controlled by control apparatus such as thermostat, compressor ON and OFF period per cycle should last more than 5 minutes at least, and design that cycle period can be possibly maximized.

2-4. The amount of Refrigerant Charge

The amount of refrigerant charge is recommended minimal as the proper amount, and when refrigerant amount exceeds or lacks compared to the proper amount range, which results in loss of cooling capacity, compressor inefficiency and also damage to compressor life, it is strongly recommended to charge refrigerant with the proper amount.

2-5. The amount of Oil Charge

In case of no extra negotiation, compressor is supplied to customers with oil charge with the proper amount.

3. Notices in Handling Refrigeration System and Compressor.

3-1. Materials compatible to R134a should be used in refrigeration system.

3-2. Equipments for refrigerant charging and vacuuming exclusively designed for R134a application should be needed.

In order not to mix-up other refrigerants such as R12 with R134a, charging equipment exclusively designed for R134a application must be prepared separately. Proper quantity of refrigerant must be determined in advance of charging due to R134a can be charged 20% less than R12 according to refrigeration cycle. When vacuumizing the whole cycle system, for air or other hazardous gases not to contaminate the cycle, evacuate it sufficiently using the high efficient vacuum pump and manage to keep the final vacuum level less than 0.5 torr. The refrigerant must be charged in state of compressor OFF.

3-3. Leakage test equipment exclusively designed for R134a application should be prepared separately.

3-4. Cleanness of the each components of refrigeration system be kept higher than the cleanness level of R12 system.

(It is recommended the total allowable cleanness shall be kept less than 50% of that of R12 system.)

3-5. Maximum water content in refrigeration system must not exceed 150 mg. As molecular sieve, drier exclusively used to R134a such as XH-7 or XH-9 be prepared separately. Excessive water content generates acid or sludge in the system that can cause blockage in capillary tube.

3-6. When compressor is attached to refrigeration system, give attention to the following notices.

- 1) Nitrogen is charged and sealed before compressor is shipped. A compressor should be handled carefully not to be unplugged or damage sealing caps during transportation or in warehouse.
- 2) Compressor with rubber cap removed must not be left in the air more than 5 minutes and be attached to the cycle as soon as possible.
- 3) Purchased compressor with oil charged and sealed be used within 6 months from the production date shown on the name plate.
- 4) During deposition or transportation, keep compressors in upright position and be cautious not to drop it.
- 5) When compressor is attached to cycle, clean and ventilate the vicinity so that pollutants such as dust, steel tip or flux are not included. If pollutants exist inside compressor, excessive wear on compressor bearing, damage to the valves, and blockage in refrigeration system can be occurred, be cautious for pollutant not to penetrate through the compressor tube.
- 6) Since the paint of compressor is made of epoxy polyamid resin, when the paint peels off, by accident repaint it using the similar one.

3-7. In case of change in cycle construction or parts related to compressor or compressor specification without agreement of LGE, please notify that the responsibility for all case of problem issues is to the customer.

1. Compressor Application Range

1-1. Refrigerant

Due to high flammability of R600a refrigerant, full understanding and proper installation of safety equipment must be completed in advance of compressor installation to refrigeration cycle.

1-2. Evaporator temperature

Temperature of evaporator should be in the range between -30°C (-22°F) and -5°C (23°F).

In case that evaporator temperature goes down much lower than -30°C (-22°F), motor is overheated and the temperature of discharge gas and lubricating oil increases, finally the life of compressor can be possibly affected.

If evaporator temperature is higher than -5°C (23°F), discharge pressure increases, so compressor is under overload, which accelerates wears of the compressor components and eventually shortens the life of compressor.

< Relationship between temperature and pressure >

Temperature	Pressure
-30°C (-22°F)	$-0.55\text{ kg/cm}^2\text{G}$ (-7.89 psig)
-25°C (-13°F)	$-0.43\text{ kg/cm}^2\text{G}$ (-6.18 psig)
-20°C (-4°F)	$-0.29\text{ kg/cm}^2\text{G}$ (-4.15 psig)
-15°C (5°F)	$-0.12\text{ kg/cm}^2\text{G}$ (-1.76 psig)
-10°C (14°F)	$0.07\text{ kg/cm}^2\text{G}$ (1.03 psig)
-5°C (23°F)	$0.30\text{ kg/cm}^2\text{G}$ (4.28 psig)

1-3. Condensing temperature

Temperature and pressure of condenser in continuous operation mode at the ambient temperature of 43°C (110°F) should not exceed 60°C (140°F) and $7.82\text{kg/cm}^2\text{G}$ (111 psig), and also instant peak load should not exceed 70°C (158°F) and $10.1\text{kg/cm}^2\text{G}$ (143 psig) during the pull down period. This is because shortage of compressor life possibly occurs and electricity consumption increases, if condenser temperature exceed 60°C (140°F). In case that condenser temperature exceed 60°C (140°F) on the design base of refrigeration system, the decline of life and the increase of electricity consumption can be prevented by applying an appropriate oil cooling or fan cooling device to the system.

1-4. Motor winding temperature

Winding temperature of motor at the ambient temperature of 43°C (110°F) must be lower than 120°C (248°F), if exceeds this temperature, motor is overloaded, which causes shortage of motor life. Winding temperature of motor is calculated using the winding resistance as is shown in the equation below. After compressor is stopped, resistances of main winding and supplementary winding should be measured as soon as possible, which results in exact winding temperatures of motor.

< Winding temperature calculation equation >

$$T_2 = (R_2 / R_1)(234.5 + T_1) - 234.5$$

T_2 = the winding temperature at the end of test

T_1 = the room temperature at the beginning of the test

R_2 = the resistance at the end of the test

R_1 = the resistance at the beginning of the test

1-5. Discharge Gas temperature.

Discharge gas temperature at the ambient temperature of 43°C (110°F) should be such that the temperature of discharge tube about 50mm (2 inch) apart from compressor surface should be kept lower than 120°C (248°F).

Discharge gas temperature is kept as low as possible to prevent thermal degradation of oil and preserve compressor life in long term. If it exceeds 120°C (248°F), harmful sludge is accumulated on the periphery of the valves.

1-6. Compressor Shell Temperature

Compressor shell temperature, if winding temperature of motor and discharge gas temperature are kept in the range allowed, is free from regulation. When shell temperature of compressor is required, the temperature of top position of compressor is measured.

1-7. Suction Gas Temperature

Suction gas temperature should be such that the temperature at periphery of suction tube about 150mm (6 inches) apart from compressor surface be maintained at the similar range of super-heating with the ambient temperature.

Especially, winding temperature of motor and discharge gas temperature are kept within the temperature range allowed.

2. Compatibility of Compressor with Refrigeration System.

2-1. Supply Voltage.

Electric circuit is made such that supplying voltage to refrigeration system matches the value listed on the name plate of the compressor under working, and supplying voltage should be kept more than 90% of the listed value at start-up and also during operation. If there is some problem in keeping the supplying voltage more than 90% of the listed value, the alternative design can be negotiated between customer and LG.

2-2. Electric Components of Compressor.

Electric components such as OLP, PTC, Capacitor of compressor should be selected inevitably according to the specification provided to the corresponding compressor.

2-3. ON-OFF Cycle of the Refrigeration System.

When compressor equipped in refrigeration system is under ON/OFF cycle so that operation and stop are controlled by control apparatus such as thermostat, compressor ON and OFF period per cycle should last more than 5 minutes at least, and design that cycle period can be possibly maximized.

2-4. The amount of Refrigerant Charge

The amount of refrigerant charge is recommended minimal as the proper amount, and when refrigerant amount exceeds or lacks compared to the proper amount range, which results in loss of cooling capacity, compressor inefficiency and also damage to compressor life, it is strongly recommended to charge refrigerant with the proper amount. And according to the European Standard EN60335-2-24 the refrigerant charge must not exceed 150 g. R600a is charged 50% of R12 but compressor displacement is increase to 100% of R12 compared with R12 refrigeration cycle.

2-5. The amount of Oil Charge

In case of no extra negotiation, compressor is supplied to customers with oil charge with the proper amount.

3. Notices in Handling Refrigeration System and Compressor.

3-1. When vacuumizing the whole cycle system, for air or other hazardous gases not to contaminate the cycle, evacuate it sufficiently using the high efficient vacuum pump. The refrigerant must be charged in state of compressor OFF.

3-2. Cleanness of the each components of refrigeration system be kept.


3-3. Maximum water content in refrigeration system must be under control. As molecular sieve, drier exclusively used to R600a such as XH-7 be prepared separately. Excessive water content generates acid or sludge in the system that can cause blockage in capillary tube.

3-4. Due to high flammability of R600a, refrigeration system welded securely not to occur leakage, and leakage test equipment exclusively designed for R600a application should be prepared separately.




3-5. When compressor is attached to refrigeration system, give attention to the following notices.

- 1) Nitrogen is charged and sealed before compressor is shipped. A compressor should be handled carefully not to be unplugged or damage sealing caps during transportation or in warehouse.
- 2) Compressor with rubber cap removed must be attached to the cycle as soon as possible.
- 3) Purchased compressor with oil charged and sealed be used within 6 months from the production date shown on the name plate.
- 4) During deposition or transportation, keep compressors in upright position and be cautious not to drop it.
- 5) When compressor is attached to cycle, clean and ventilate the vicinity so that pollutants such as dust, steel tip or flux are not included. If pollutants exist inside compressor, excessive wear on compressor bearing, damage to the valves, and blockage in refrigeration system can be occurred, be cautious for pollutant not to penetrate through the compressor tube.
- 6) Since the paint of compressor is made of epoxy polyamid resin, when the paint peels off, by accident repaint it using the similar one.

3-7. In case of change in cycle construction or parts related to compressor or compressor specification without agreement of LGE, please be notified that the responsibility for all case of problem issues is to the customer.

 **CAUTION :** Please install the refrigerant / lubricant oil / electrical component recommended by compressor manufacturer. For proper wiring, please follow manufacturer's instructions exactly for prevent exploding, firing and user being shocked by electric.
 This caution has to be informed end-user and professional SVC branch systemically.

 **WARNING**

	<p>Electrical shock hazard.</p> <ul style="list-style-type: none"> - Compressor must be grounded whenever power is applied and compressor is operated. - Turn off the power in advance of servicing. - Secure retain terminal cover whenever power is applied to the compressor.
	<p>Explosion or Fire.</p> <ul style="list-style-type: none"> - Remove refrigerant securely from compressor in case of welding. - Do not compress air or operate compressor with vacuumed inside. - Wear safety goggles and gears.
	<p>Getting burnt.</p> <ul style="list-style-type: none"> - Do not touch the compressor with bare hands during operation or after stoppage instantly.