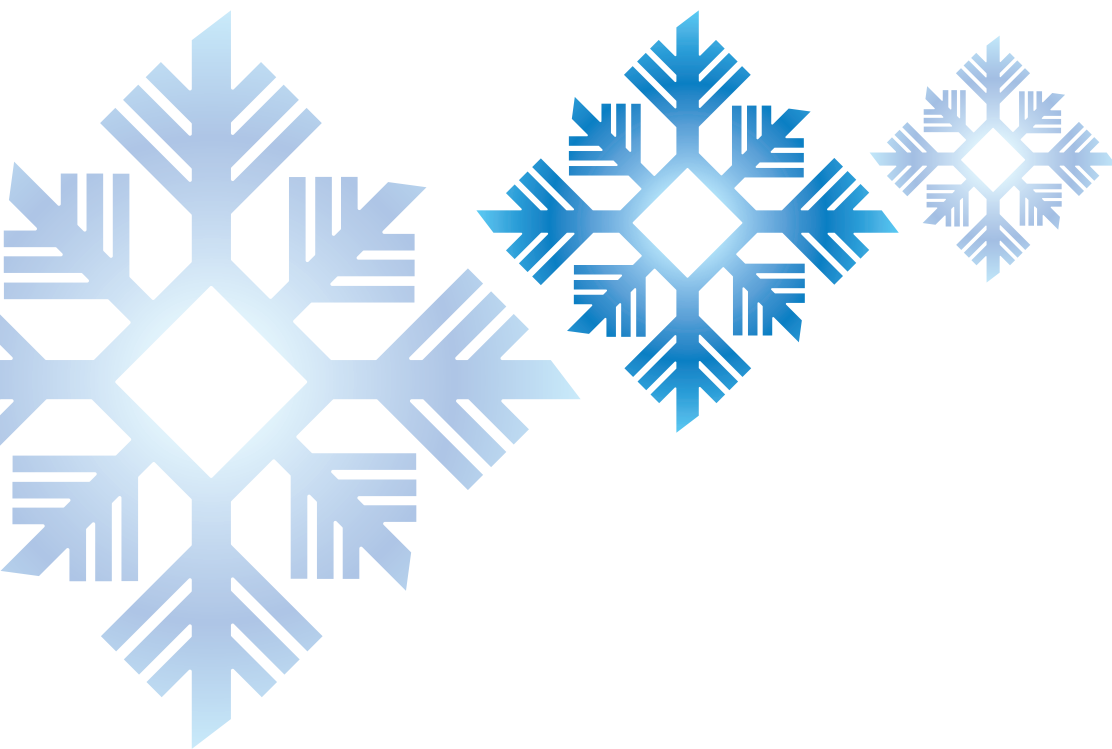




TECHNOLOGY OF COLD



 **Wanbao** ACC  
*Italia Wanbao-ACC s.r.l.*



**Italia Wanbao-ACC:**

Italia Wanbao-ACC has been established by acquisition of ACC Compressors by the Wanbao Group in 2014. ACC Compressors was a historical company located in the Belluno area, founded in 1968 leader in household compressors production.

Italia Wanbao-ACC present compressors portfolio consists in 4 different Kappa Single Speed families with different efficiency levels and one top efficiency Variable Speed Compressor family. All models are newly equipped with full aluminum motors, which allow great performances, quality and competitiveness. The Italia Wanbao-ACC team is already working to prepare new, more efficient and more competitive products in order to be ready to deal with our customers' future requirements.

The Wanbao Group is a cutting-edge industrial group dealing with refrigeration technology, recently acknowledged as one of the top 500 Chinese companies. It includes more than 30 companies manufacturing different products as compressors for domestic refrigeration, compressors for commercial refrigeration, heat pumps and air conditioners. The Wanbao Group has a registered capital of 884 million RMB, approximately 1.3 billion euros.



Guangzhou - China



Mel (Belluno) - Italy



Qingdao - China



R600a - LBP RANGE

| Model   | Displacement<br>[cc] | Cooling | Motor Type | Oil Charge<br>[cc] | Weight<br>[Kg] | Cooling Capacity         |                         | COP without RC             |                           | COP with RC                |                           | LRA max<br>[A] | Rated current<br>(-23,3°C/+55°C) |                | Run Capacitor<br>[µF] | Height<br>[mm] |
|---|----------------------|---------|------------|--------------------|----------------|--------------------------|-------------------------|----------------------------|---------------------------|----------------------------|---------------------------|----------------|----------------------------------|----------------|-----------------------|----------------|
|   |                      |         |            |                    |                | ASHRAE<br>-23,3°C<br>[W] | CECOMAF<br>-25°C<br>[W] | ASHRAE<br>-23,3°C<br>[W/W] | CECOMAF<br>-25°C<br>[W/W] | ASHRAE<br>-23,3°C<br>[W/W] | CECOMAF<br>-25°C<br>[W/W] |                | Without RC<br>[A]                | With RC<br>[A] |                       |                |
| <b>STANDARD MODELS: 220-240V 50Hz</b>                 |                      |         |            |                    |                |                          |                         |                            |                           |                            |                           |                |                                  |                |                       |                |
| HMK70AA   | 6,6                  | S       | RSIR       | 165                | 7,2            | 116                      | 87                      | 1,49                       | 1,18                      | -                          | -                         | 6,5            | 0,52                             | -              | -                     | 159            |
| HMK80AA   | 8,1                  | S       | RSIR       | 165                | 7,2            | 136                      | 102                     | 1,50                       | 1,18                      | -                          | -                         | 12,8           | 0,62                             | -              | -                     | 159            |
| HMK95AA   | 9,6                  | S       | RSIR       | 165                | 7,5            | 167                      | 125                     | 1,53                       | 1,20                      | -                          | -                         | 13,8           | 0,76                             | -              | -                     | 159            |
| HMK12AA   | 11,1                 | S       | RSIR       | 165                | 8,4            | 198                      | 149                     | 1,53                       | 1,20                      | -                          | -                         | 13,3           | 0,87                             | -              | -                     | 167            |
| HTK55AA   | 5,6                  | S       | RSIR/RSCR  | 165                | 7,8            | 93                       | 69                      | 1,55                       | 1,21                      | 1,61                       | 1,25                      | 8,3            | 0,40                             | 0,29           | 2,0/2,5               | 159            |
| HTK70AA   | 6,6                  | S       | RSIR/RSCR  | 165                | 7,8            | 117                      | 87                      | 1,61                       | 1,25                      | 1,66                       | 1,30                      | 10,9           | 0,42                             | 0,31           | 2,5/3,0/4,0           | 159            |
| HTK80AA   | 8,1                  | S       | RSIR/RSCR  | 165                | 7,9            | 136                      | 102                     | 1,61                       | 1,26                      | 1,66                       | 1,31                      | 12,3           | 0,53                             | 0,39           | 2,5/3,0/4,0           | 159            |
| HTK95AA   | 9,6                  | S       | RSIR/RSCR  | 165                | 8,3            | 167                      | 126                     | 1,64                       | 1,29                      | 1,70                       | 1,34                      | 13,8           | 0,67                             | 0,48           | 3,0/4,0               | 167            |
| HTK12AA   | 11,1                 | S       | RSIR/RSCR  | 165                | 8,4            | 198                      | 149                     | 1,64                       | 1,28                      | 1,70                       | 1,34                      | 17,6           | 0,87                             | 0,65           | 4,0/5,0               | 167            |
| HKK55AA <sup>(1)</sup>                                | 5,6                  | S       | RSCR       | 165                | 8,1            | 93                       | 69                      | -                          | -                         | 1,71                       | 1,35                      | 6,5            | -                                | 0,27           | 2,0                   | 159            |
| HKK70AA <sup>(1)</sup>                                | 6,6                  | S       | RSCR       | 165                | 8,1            | 117                      | 87                      | -                          | -                         | 1,75                       | 1,38                      | 6,9            | -                                | 0,31           | 4,0                   | 159            |
| HKK80AA <sup>(1)</sup>                                | 8,1                  | S       | RSCR       | 165                | 8,5            | 136                      | 102                     | -                          | -                         | 1,77                       | 1,40                      | 8,6            | -                                | 0,37           | 4,0                   | 167            |
| HKK95AA <sup>(1)</sup>                                | 9,6                  | S       | RSCR       | 165                | 8,9            | 168                      | 126                     | -                          | -                         | 1,80                       | 1,42                      | 9,8            | -                                | 0,45           | 4,0                   | 167            |
| HKK12AA <sup>(1)</sup>                                | 11,1                 | S       | RSCR       | 165                | 8,9            | 198                      | 150                     | -                          | -                         | 1,80                       | 1,42                      | 11,8           | -                                | 0,53           | 4,0                   | 167            |
| HXK55AA   | 5,6                  | S       | RSCR       | 165                | 8,2            | 97                       | 72                      | -                          | -                         | 1,83                       | 1,45                      | 8,5            | -                                | 0,25           | 2,0/2,5               | 167            |
| HXK70AA   | 6,6                  | S       | RSCR       | 165                | 8,4            | 118                      | 88                      | -                          | -                         | 1,86                       | 1,47                      | 7,5            | -                                | 0,31           | 3,0/4,0               | 167            |
| HXK80AA   | 8,1                  | S       | RSCR       | 165                | 8,4            | 140                      | 105                     | -                          | -                         | 1,90                       | 1,50                      | 9,8            | -                                | 0,35           | 3,0/4,0               | 167            |
| HXK95AA   | 9,6                  | S       | RSCR       | 165                | 8,6            | 171                      | 129                     | -                          | -                         | 1,91                       | 1,51                      | 8,5            | -                                | 0,44           | 4,0                   | 167            |
| HXK12AA   | 11,1                 | S       | RSCR       | 165                | 9,4            | 202                      | 152                     | -                          | -                         | 1,90                       | 1,50                      | 11,1           | -                                | 0,52           | 4,0                   | 167            |
| <b>SPECIAL VOLTAGE: 200-240V 50Hz</b>                 |                      |         |            |                    |                |                          |                         |                            |                           |                            |                           |                |                                  |                |                       |                |
| HMK95AT   | 9,6                  | S       | RSIR       | 165                | 8,4            | 167                      | 126                     | 1,53                       | 1,20                      | -                          | -                         | 13,3           | 0,78                             | -              | -                     | 167            |
| HKK12AT   | 11,1                 | S       | RSCR       | 165                | 9,3            | 202                      | 152                     | -                          | -                         | 1,80                       | 1,42                      | 15,7           | -                                | 0,54           | 4,0                   | 167            |
| HXK95AT   | 9,6                  | S       | RSCR       | 165                | 9,3            | 171                      | 129                     | -                          | -                         | 1,88                       | 1,48                      | 11,1           | -                                | 0,52           | 4,0                   | 167            |
| <b>SPECIAL VOLTAGE: 200-240V 50Hz / 220-230V 60Hz</b> |                      |         |            |                    |                |                          |                         |                            |                           |                            |                           |                |                                  |                |                       |                |
| HKK12AN   | 11,1                 | S       | RSCR       | 165                | 9,3            | 198<br>229               | 149<br>174              | -<br>-                     | -<br>-                    | 1,75<br>1,71               | 1,38<br>1,36              | 15,7           | -                                | 0,54<br>0,66   | 4,0                   | 167            |

(1) ePTC optional

Capacity conversion:  
Capacity (kcal/h) = Capacity (W) / 1,163

All models are approved according to EN 60335 - 2 - 34  
"Particular requirements for motor-compressor"



R600a - LBP RANGE

| Model  | Displacement<br>[cc] | Cooling | Motor Type | Oil Charge<br>[cc] | Weight<br>[Kg] | Speed<br>[rpm] | Cooling Capacity         |                         | COP                        |                           | LRA max<br>[A] | Rated current<br>(-23,3°C/+55°C)<br>[A] | Height<br>[mm] |
|--|----------------------|---------|------------|--------------------|----------------|----------------|--------------------------|-------------------------|----------------------------|---------------------------|----------------|---|----------------|
|  |                      |         |            |                    |                |                | ASHRAE<br>-23,3°C<br>[W] | CECOMAF<br>-25°C<br>[W] | ASHRAE<br>-23,3°C<br>[W/W] | CECOMAF<br>-25°C<br>[W/W] |                |   |                |
| <b>VARIABLE SPEED MODELS: 220-240V 50/60Hz</b> |                      |         |            |                    |                |                |                          |                         |                            |                           |                |   |                |
| HXK55VSD <sup>(3)</sup>                        | 5,6                  | S       | PMM        | 165                | 6,2            | 1400           | 48                       | 36                      | 1,98                       | 1,58                      | 0,6            | 0,19                                    | 139            |
|  |                      |         |            |                    |                | 1600           | 54                       | 41                      | 1,98                       | 1,57                      |                | 0,21                                    |                |
|  |                      |         |            |                    |                | 1800           | 61                       | 46                      | 1,94                       | 1,54                      |                | 0,24                                    |                |
|  |                      |         |            |                    |                | 2400           | 80                       | 60                      | 1,90                       | 1,51                      |                | 0,33                                    |                |
|  |                      |         |            |                    |                | 3000           | 98                       | 74                      | 1,85                       | 1,47                      |                | 0,41                                    |                |
|  |                      |         |            |                    |                | 4000           | 122                      | 91                      | 1,74                       | 1,38                      |                | 0,55                                    |                |
| HKK70VSD                                       | 6,6                  | S       | PMM        | 285                | 6,7            | 1400           | 57                       | 43                      | 1,91                       | 1,52                      | 0,6            | 0,24                                    | 159            |
|  |                      |         |            |                    |                | 1600           | 63                       | 48                      | 1,90                       | 1,51                      |                | 0,26                                    |                |
|  |                      |         |            |                    |                | 1800           | 71                       | 54                      | 1,90                       | 1,51                      |                | 0,29                                    |                |
|  |                      |         |            |                    |                | 2400           | 93                       | 70                      | 1,85                       | 1,47                      |                | 0,39                                    |                |
|  |                      |         |            |                    |                | 3000           | 117                      | 88                      | 1,78                       | 1,41                      |                | 0,51                                    |                |
|  |                      |         |            |                    |                | 4000           | 150                      | 112                     | 1,72                       | 1,36                      |                | 0,68                                    |                |
| HKK95VSD                                       | 9,6                  | S       | PMM        | 285                | 6,7            | 1400           | 79                       | 60                      | 1,91                       | 1,53                      | 0,6            | 0,36                                    | 159            |
|  |                      |         |            |                    |                | 1600           | 91                       | 69                      | 1,93                       | 1,54                      |                | 0,38                                    |                |
|  |                      |         |            |                    |                | 1800           | 101                      | 76                      | 1,93                       | 1,54                      |                | 0,42                                    |                |
|  |                      |         |            |                    |                | 2400           | 134                      | 101                     | 1,91                       | 1,52                      |                | 0,57                                    |                |
|  |                      |         |            |                    |                | 3000           | 170                      | 129                     | 1,87                       | 1,49                      |                | 0,74                                    |                |
|  |                      |         |            |                    |                | 4000           | 218                      | 163                     | 1,82                       | 1,44                      |                | 0,97                                    |                |
| HXK12VSD <sup>(3)</sup>                        | 11,1                 | S       | PMM        | 165                | 6,2            | 1400           | 95                       | 72                      | 1,88                       | 1,51                      | 0,6            | 0,44                                    | 139            |
|  |                      |         |            |                    |                | 1600           | 108                      | 83                      | 1,90                       | 1,52                      |                | 0,47                                    |                |
|  |                      |         |            |                    |                | 1800           | 120                      | 89                      | 1,93                       | 1,54                      |                | 0,49                                    |                |
|  |                      |         |            |                    |                | 2400           | 157                      | 114                     | 1,84                       | 1,46                      |                | 0,67                                    |                |
|  |                      |         |            |                    |                | 3000           | 198                      | 149                     | 1,84                       | 1,47                      |                | 0,87                                    |                |
|  |                      |         |            |                    |                | 4000           | 246                      | 170                     | 1,72                       | 1,36                      |                | 1,07                                    |                |

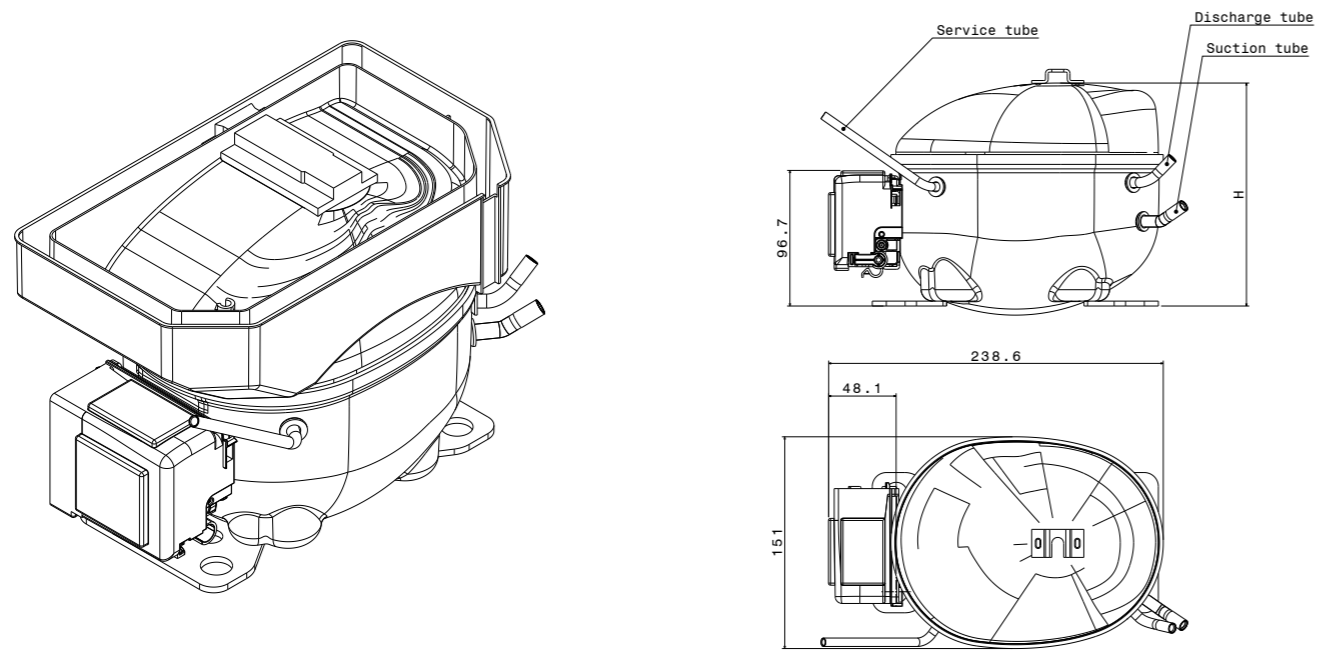
(3) model under development, preliminary data

Test conditions:  
 Evaporating temperature: -23,3°C  
 Condensing temperature: 55°C  
 Subcooling temperature: 32°C  
 Suction temperature: 32°C  
 Ambient temperature: 32°C  
 Voltage: 220V 50Hz

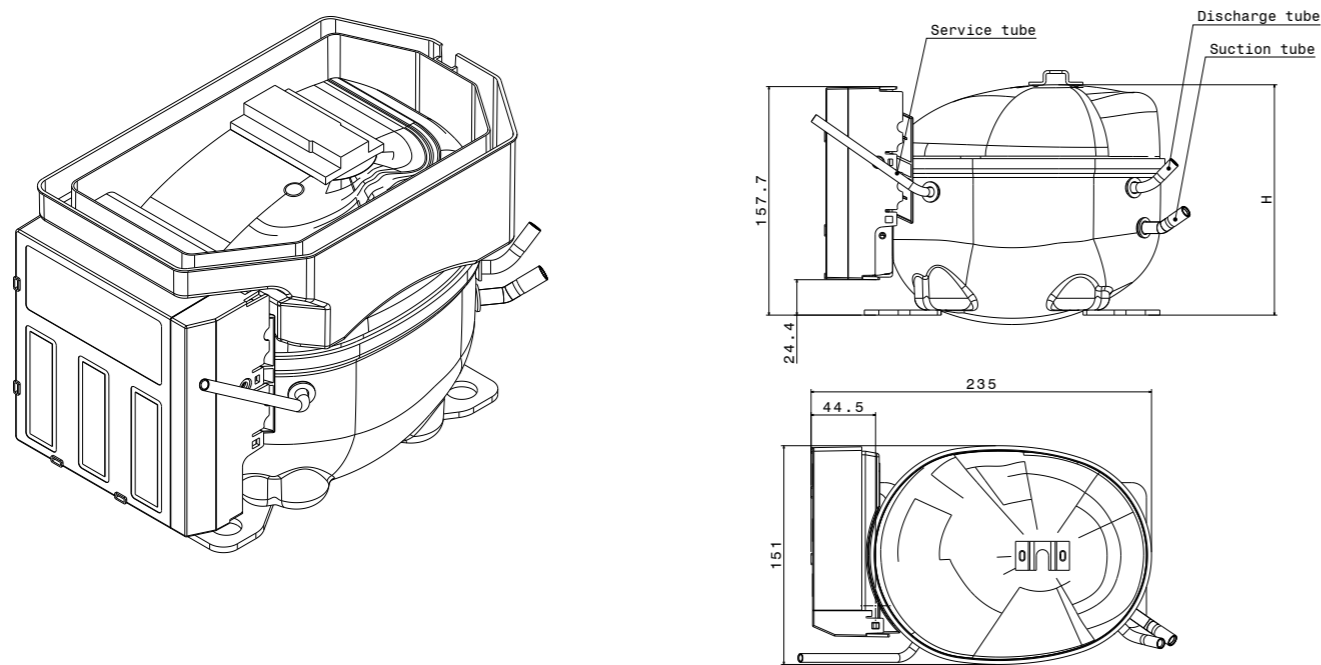
Compressor cooling:  
 S = static  
 F = fan cooled  
 OC = oil cooler  
 Voltage range: Vn -15% +10%  
 Max ambient temperature: 43°C

# OUTLINE DRAWINGS

## Standard Model



## VSD Model

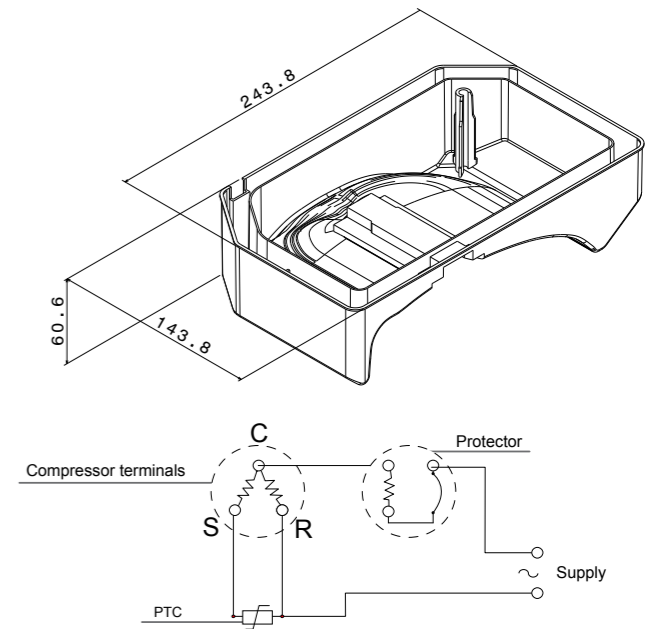
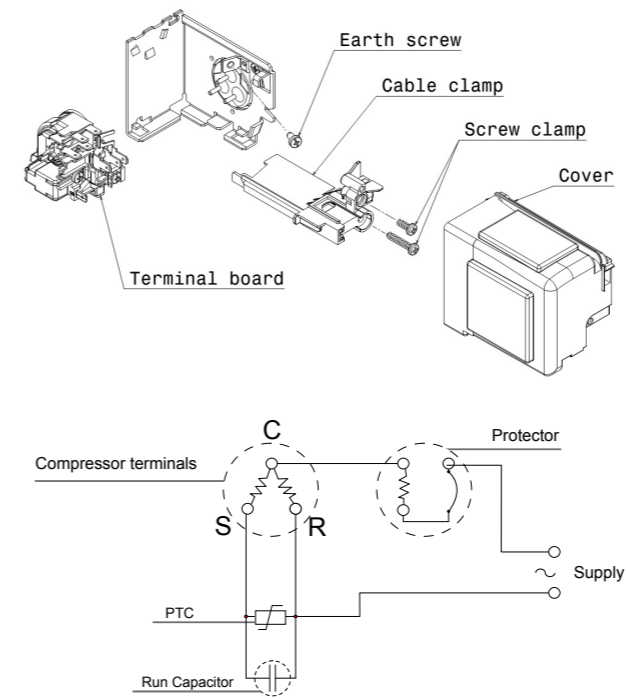


### Tubes internal diameter

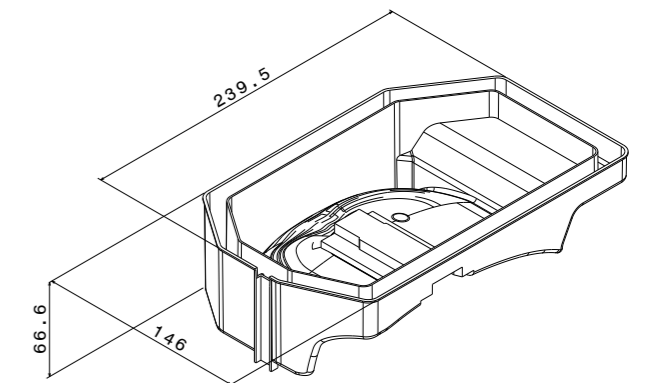
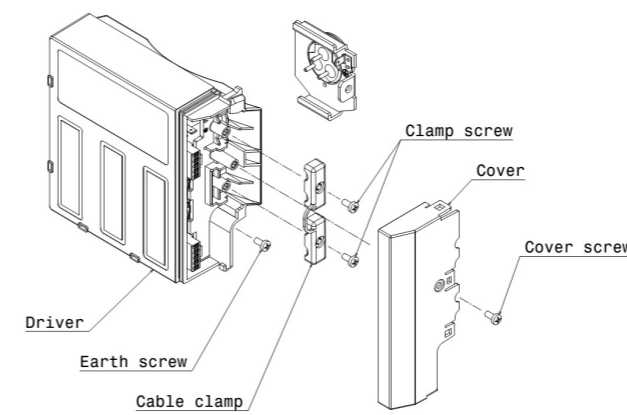
| Configuration      | Suction [mm] | Service [mm]        | Discharge [mm] | Material                      |
|--------------------|--------------|---------------------|----------------|-------------------------------|
| Short service tube | Ø 6,1        | Ø 6,1 (copper only) | Ø 5,1          | Copper<br>Copper plated steel |
| Long service tube  | Ø 6,1        | Ø 4,4 (copper only) | Ø 5,1          | Copper<br>Copper plated steel |

# TECHNICAL DRAWINGS

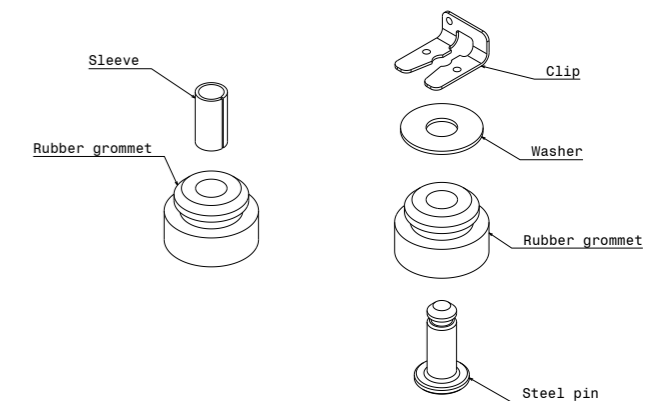
## Standard Model



## VSD Model



### Mounting accessories



Approved

UNI EN ISO 9001 : 2008

UNI EN ISO 14001 : 2004

BS OHSAS 18001 : 2007

Electrical Laboratory  
Certified TDAP by VDE  
UNI CEI EN ISO/IEC 17025:2005

***Italia Wanbao-ACC s.r.l.***

[www.wanbao-acc.it](http://www.wanbao-acc.it)

**FACTORY**

Viale Vasco Salvatelli, 4

32026 Mel (BL) - Italy

Phone: +39 0437 7561

Fax: +39 0437 756388

E-mail: [info@wanbao-acc.it](mailto:info@wanbao-acc.it)

**WANBAO EUROPE - Sales & Technology Center**

Viale Lino Zanussi, 11

33170 Pordenone - Italy

Phone: +39 0434 379911

Fax: +39 0434 379913

E-Mail: [europe@wanbao-acc.it](mailto:europe@wanbao-acc.it)