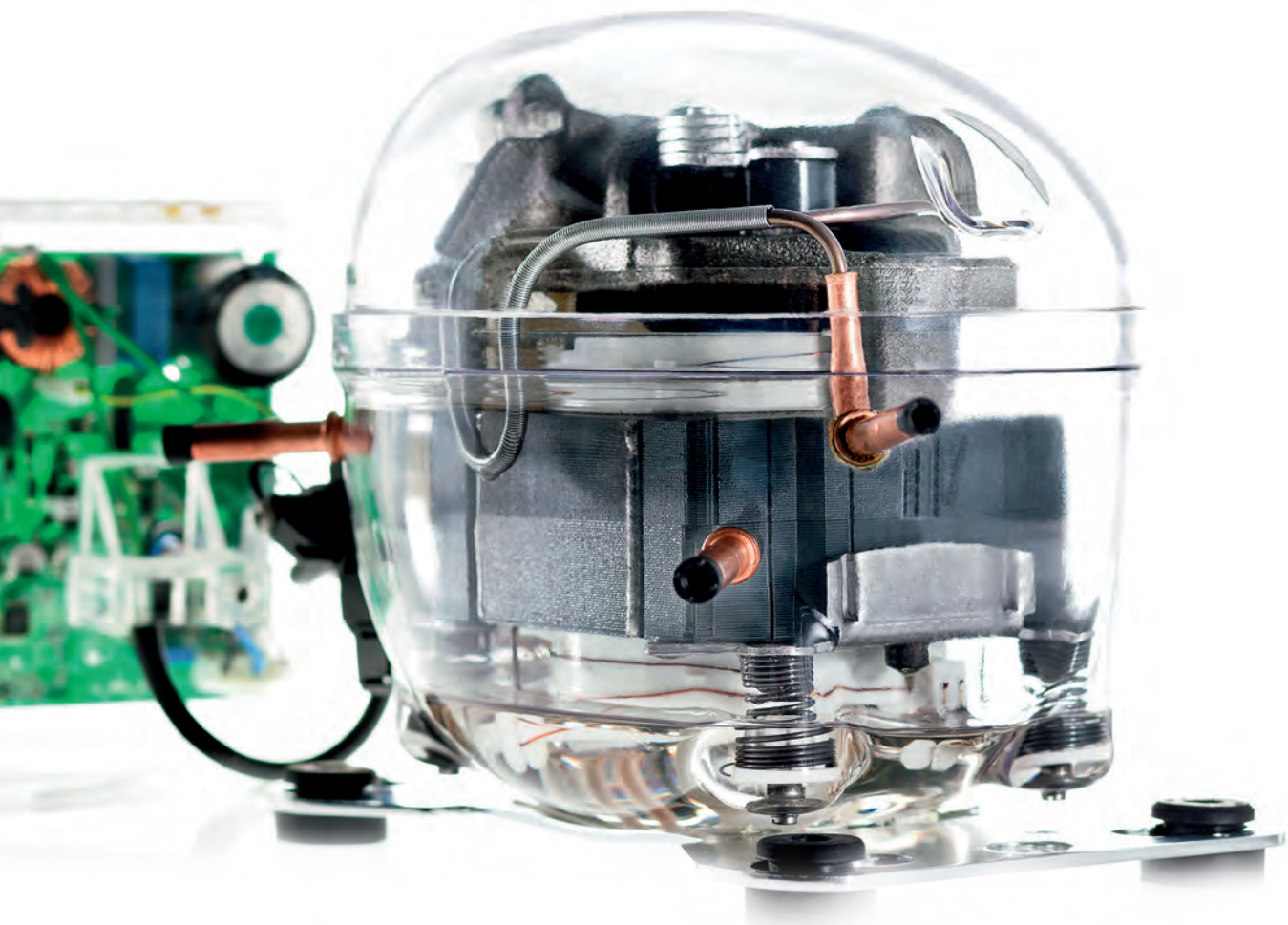


embraco
Nidec

COMPRESSORS EUROPE



Maximum energy optimization
from production to product.

- R134a/R513A
- R404A/R507/R452A/R448A/449A
- R290
- R600a



embraco
Nidec

01

ABOUT EMBRACO

02

OUR PRODUCTS

03

APPLICATION
GUIDE

04

NOMENCLATURE

05

TECHNICAL
INFORMATION

06

GENERAL DATA
& PERFORMANCE

07

EXTERNAL VIEWS &
WIRING DIAGRAMS

EMBRACO is a global refrigeration compressors and condensing units manufacturer. Since 1971 it provides innovative solutions for household and light commercial refrigeration attending customers' most challenging demands.

With a production capacity of 60 million units of motors and compressors per year, Embraco directly employs approximately 14 thousand people, has 11 business units (among factories, sales offices and a global business shared services) located in Brazil, China, Italy, Mexico, Slovakia, USA and Russia, and is commercially present in more than 80 countries.

Since July, 2019, we are part of **Nidec Corporation**, the world's leading comprehensive motor manufacturer (www.nidec.com)



INNOVATION

With an innovative DNA, Embraco has close to 500 professionals dedicated exclusively to this area, with 120 partners from leading engineering universities around the world, as well as over 50 research laboratories on four continents. The company invests 3% to 4% of its net revenue in R&D annually and is among the private companies with the highest number of patents in force in Brazil and the United States, reaching the 1,200 patents granted globally.



EFFICIENCY

For more than 20 years, we have used natural refrigerants in our portfolio for commercial and household as an alternative to reduce the negative effects on the ozone layer, greenhouse effects and to improve the equipment's energy efficiency.



11 Manufacturing plants



Presence in more than 80 countries with solutions and services



Over 50 research laboratories on four continents



500 people engaged in R&D activities, approximately 100 within University partners



1,200 patents granted worldwide (over 3,000 in total)



Yearly production capacity: 60 million units of motors and compressors/year



EMBRACO DIGITAL TOOLS: discover everything our digital solutions can do for you.



EMBRACO TOOLBOX APP

Available in all countries and in more than 10 languages, the Embraco Toolbox App has 7 functionalities which help refrigeration professionals on their daily routine. Download the App now for Android or iOS systems.



Find inside:

- CROSS-REFERENCE
- PRODUCT CATALOGUE
- DISTRIBUTOR LOCATOR
- UNIT CONVERTER
- REFRIGERANT SLIDER
- REFRIGERATION CLUB
- TROUBLESHOOTING



REFRIGERATION CLUB

Exclusive content for refrigeration professionals in a global channel. Keep updated and join us at: www.refrigerationclub.com



PRODUCT SELECTOR SOFTWARE


Choose the best solution for your cooling system at Embraco's official portfolio platform. Access: products.embraco.com





OUR PRODUCTS





SINGLE SPEED COMPRESSORS


EM		FEATURES	APPLICATIONS
		<ul style="list-style-type: none"> • High efficiency • Robustness • Wide application range • Small size • Low noise • Best in class up to 11 cm³ 	Refrigerators and freezers Water cooler; Beer dispenser; Reach-in; Chest freezer Vending machine; Wine coolers; Small dispenser; Food exhibitor Beverage cooler; Ice maker
CAPACITY W	MAX EFFICIENCY W/W	DISPLACEMENT cm ³	REFRIGERANTS
LBP: 75 - 390 HBP: 250 - 800	LBP: 1.8 HBP: 2.62	1.17 - 11.14	R134a/R513A; R404A; R290; R600a;

NE		FEATURES	APPLICATIONS
		<ul style="list-style-type: none"> • High efficiency • Robustness • Wide application range • Low noise 	Beverage cooler; Ice maker Beer dispenser; Reach-in; Chest freezer Upright cabinets; Professional kitchen Slushy machine; Show cases Refrigerators and freezers;
CAPACITY W	MAX EFFICIENCY W/W	DISPLACEMENT cm ³	REFRIGERANTS
LBP: 187 - 950 HBP: 516 - 2292	LBP: 1.56 HBP: 2.79	4.40 - 16.80	R134a/R513A; R404A/R507/R452A/R449A/R448A; R290


F		FEATURES	APPLICATIONS
		<ul style="list-style-type: none"> • High efficiency • Robustness • Wide application range • Small size 	Water cooler; Beverage coolers; Ice maker Beer dispenser; Reach-in; Chest freezer Professional Kitchen; Vending machine Wine coolers; Heat pumps Food exhibitor; Refrigerated island; Show cases
CAPACITY W	MAX EFFICIENCY W/W	DISPLACEMENT cm ³	REFRIGERANTS
LBP: 115 - 490 HBP: 670 - 1575	LBP: 1.58 HBP: 2.92	6 - 12.92	R134a/R513A; R290


NT		FEATURES	APPLICATIONS
		<ul style="list-style-type: none"> • High efficiency • Robustness • Wide application range • Low noise • Best in class up to 27.80 cm³ • Designed for Medical & Scientific ULT 	Beverage coolers; Ice maker Beer dispenser; Reach-in; Chest freezers Upright cabinets Ultra low temperature refrigerators; Professional kitchen Slushy machine
CAPACITY W	MAX EFFICIENCY W/W	DISPLACEMENT cm ³	REFRIGERANTS
LBP: 576 - 1670 HBP: 1607 - 3885	LBP: 1.47 HBP: 2.81	12.60 - 27.80	R134a/R513A; R404A/R507/R452A/R449A/R448A; R290


NTU		FEATURES	APPLICATIONS
		<ul style="list-style-type: none"> • High efficiency • High robustness level for severe application • Continuous liquid return acceptance • Wide application range • Smallest size in this cooling capacity 	Beverage coolers; Ice maker Beer dispenser; Reach-in Upright cabinets Ultra low temperature refrigerators Professional kitchen Chest freezers
CAPACITY W	MAX EFFICIENCY W/W	DISPLACEMENT cm ³	REFRIGERANTS
HBP: 2424 - 5333	HBP: 3.09	20.40 - 27.80	R134a/R513A; R404A/ R507/R452A/R449A/R448A


NJ		FEATURES	APPLICATIONS
		<ul style="list-style-type: none"> • High efficiency • Robustness • Wide application range • Low noise • Up to 2 hp 	Beverage cooler; Ice maker Reach-in; Chest freezer Ultra low temperature Upright cabinet (air curtain) Cold rooms
CAPACITY W	MAX EFFICIENCY W/W	DISPLACEMENT cm ³	REFRIGERANTS
LBP: 568 - 2164 HBP: 2547 - 5914	LBP: 1.50 HBP: 2.92	21.60 - 37.9	R134a/R513A; R404A/ R507/R452A/R449A/R448A

VARIABLE CAPACITY COMPRESSOR

VES		FEATURES	APPLICATIONS
		<ul style="list-style-type: none"> • High efficiency • Small size • Very low noise • Better temperature control • Wide voltage range • Speed range: 1300-4500 rpm 	Refrigerators and Freezers Wine cooler; Heat pumps Beverage coolers; Reach-in Chest freezer; Medical coolers
CAPACITY W	MAX EFFICIENCY W/W	DISPLACEMENT cm ³	REFRIGERANTS
LBP: 50-270 MBP: 38-270	LBP: 2.26 MBP: 3.25	3 - 11	R600a

VEM		FEATURES	APPLICATIONS
		<ul style="list-style-type: none"> • High efficiency • Robustness • Wide application range • Low noise • Better temperature control • Wide voltage range 	Refrigerators and Freezers Wine cooler; Heat pumps Beverage coolers; Reach-in Chest freezer; Medical coolers
CAPACITY W	MAX EFFICIENCY W/W	DISPLACEMENT cm ³	REFRIGERANTS
LBP: 41 - 250 HBP: 345 - 820	LBP: 1.96 HBP: 3.50	3 - 11	R134a; R290; R600a

FMF		FEATURES	APPLICATIONS
		<ul style="list-style-type: none"> • High efficiency • Robustness • Wide application range • Low noise • Better temperature control • Dual voltage and frequency on the same sku 	Frozen Islands ; Beverage cooler Ice Maker Chest Freezer Reach-in Vertical Ice-cream cabinets; Medical cooler
CAPACITY W	MAX EFFICIENCY W/W	DISPLACEMENT cm ³	REFRIGERANTS
L/MBP: 140 - 998	L/MBP: 1.84	6 - 13	R290

VNE		FEATURES	APPLICATIONS
		<ul style="list-style-type: none"> • Best in class in its range of cooling capacity • Robustness • Wide application range • Low noise • Better temperature control • Dual voltage and frequency on the same sku 	Beverage cooler; Vertical Reach-in Beer dispenser Ice maker Reach-in Big chest freezer Frozen Islands
CAPACITY W	MAX EFFICIENCY W/W	DISPLACEMENT cm ³	REFRIGERANTS
LBP: 420-1100	LBP: 1.8 HBP: 2.62	7 - 16.8	R134a, R404A, R507, R452A, R290

APPLICATION GUIDE



BEVERAGE COOLERS - 50Hz

GROSS VOLUME (l)		100 - 150		150 - 200		200 - 250		250 - 300		300 - 350		350 - 450		450 - 600		600 - 750		750 - 1000		1000 - 1400		1400 - 1700		1700 - 2000		
DOOR TYPE		SOLID	GLASS	SOLID	GLASS	SOLID	GLASS	SOLID	GLASS	SOLID	GLASS	SOLID	GLASS	SOLID	GLASS	SOLID	GLASS	SOLID	GLASS	SOLID	GLASS	SOLID	GLASS	SOLID	GLASS	
R134a	PREMIUM EFFICIENCY	VEMY6HH	VEMY6HH	VEMY6HH	VEMY6HH	VEMY6HH	VEMY6HH	VEMY6HH	VEMY6HH	VEGT8HB	VEGT8HB															
	HIGH EFFICIENCY	EMT37HDP	EMT37HDP	EMT37HDP	EMT45HDR	EMT45HDR	EMT6144Z	EMT6144Z	EMT6160Z	EMT6160Z	EMT6170Z		EMT6170Z	NEU6187Z	NEU6210Z	NEU6212Z	NEU6212Z	NEU6214Z	NEU6214Z	NEU6214Z	NEU6214Z	NT6217Z	NT6217Z	NTU6222Z	NTU6222Z	NJ6226Z
R600a	HIGH EFFICIENCY	EMX32CLC	EMT45CDP	EMZ46CLC	EMZ46CLC	EMX55CLC	EMX55CLC	EMX3118Y	EMX3118Y	EMX3118Y	EMX3118Y		NBY5170Y	NBY5170Y												
R290	PREMIUM EFFICIENCY					EMC3119U	EMC3119U	EMC3119U	EMC3119U	EMC3119U	EMC3121U		EMC3121U	EMC3125U												
	HIGH EFFICIENCY	EMi50UER	EMi50UER	EMX6144U	EMX6144U	EMX6144U	EMX6152U	EMX6152U	EMX6181U	EMX6181U	EMX6210U		EMX6181U	EMX6210U	NEU6212U	NEU6212U	NEU6212U	NEU6212U	NEU6214U	NEU6214U	NEU6214U	NEU6217U				
R404A	HIGH EFFICIENCY																	NEK6213GK	NEK6213GK	NE9213GK	NEK6213GK	NEK6217GK	NEK6217GK	NT6224GK	NT6224GK	

AVERAGE BOTTLE COOLER SPECIFICATION	
Starting Type	LST
Application	MBP
Cooling Type	Fan
Door Type	Solid or Glass
Temperature	0 to 6°C

UPRIGHT FREEZERS (ICE-CREAM AND FROZEN FOOD) - 50Hz

GROSS VOLUME (l)		<100	100-200	200 - 300	300 - 400	400 - 500	500 - 600	600 -700	700-800	800-1000	1000 <
R290	PREMIUM EFFICIENCY			FMFT406U	FMFT406U	VNEU217U	VNEU217U	VNEU217U			
	HIGH EFFICIENCY	EMT2121U	EMT2125U	NEU2140U	NEU2155U	NEU2168U	NT2180U	NT2210U	NT2210U		
R404A	PREMIUM EFFICIENCY			VNEK206GK	VNEK212GK	VNEK212GK					
	HIGH EFFICIENCY			NEU2140GK	NEU2155GK	NEU2168GK					
	STANDARD EFFICIENCY			NEK2134GK	NEK2150GK	NEK2168GK	NT2180GK	NT2180GK	NT2192GK	NT2212GK	NJ2212GK
R134a	PREMIUM EFFICIENCY	VEGT8HB	VEGT8HB								
	STANDARD EFFICIENCY	NE2121Z	NEU4130Z	NEK2140Z							

AVERAGE ICE CREAM FREEZERS SPECIFICATION	
Starting Type	HST
Application	LBP
Cooling Type	Fan
Door Type	Glass/Solid
Food Temp.	<-20°C

ICE MAKERS (CUBERS) - 50Hz

ICE/DAY	UP TO 25 Kg	25-40 Kg	40-60 Kg	60-90 Kg	90-120 Kg	120-150 Kg	150-170 Kg	170-210 Kg	210-250 Kg	250-280 Kg	280-320 Kg	320-360 Kg	360-400 Kg	400-450 Kg	450-550 Kg	550 - 700 Kg
R290	EMX6144U	EMX6144U	EMX6210U	NEU6214U	NEU6217U	NEU6220U	NT6222U	NT6224U								
R404A	EMT6152GK	EMT6165GK	NEK6210GK	NEK6210GK	NEK6217GK	NT6220GKV	NT6222GKV	NT6224GK	NT6226GKV	NTU6232GK	NTU6234GKV	NTU6240GKV				
R134a	EMT6160Z	NEU6187Z	NEU6212Z	NEU6214Z	NT6217ZV	NT6220ZV	NTU6222ZV	NTU6224ZV								

ICE MAKERS (FLAKED) - 50Hz

ICE/DAY	60-90 Kg	90-120 Kg	120-150 Kg	150-170 Kg	170-210 Kg	210-250 Kg	250-280 Kg	280-320 Kg	320-360 Kg	360-400 Kg	400-450 Kg	450-500 Kg
R290	EMX6210U	NEU6214U	NEU6217U	NT6220U	NT6222U	NT6224U						
R404A	NEK6210GK	NEU6215GK	NT6217GKV	NT6220GKV	NT6222GKV	NT6224GK	NT6226GKV	NJ2212GK	NJ2212GK	NJ2212GK		
R134a	NEU6212Z	NEU6214Z	NT6217ZV	NT6220ZV	NTU6222ZV	NTU6224ZV						

AVERAGE ICE MAKER SPECIFICATION

Starting Torque	HST
Application	MBP
Cooling Type	FAN

COMMERCIAL KITCHEN APPLICATIONS - 50HZ LBP

(Low temperature refrigerators)

GROSS VOLUME (RANGE OF SIZES)	REACH-IN FREEZER	< 250 l	250 - 325 l	325 - 425 l		425 - 550 l	550 - 650 l	650 - 850 l	850 - 1150 l	1150 - 1500 l	1500 - 1700 l	1700 - 1900 l
	UNDERCOUNTER FREEZER	< 120 l	120 - 175 l	175 - 275 l		275 - 350 l	350 - 450 l	450 - 500 l	500 - 600 l	-	-	-
	WORKTOP FREEZER BLAST CHILLER	-	-	-		-	-	-	10 Kg	15 Kg	20 Kg	25 Kg
R290	PREMIUM EFFICIENCY - FULLMOTION INVERTER (VARIABLE SPEED COMPRESSOR)	VEGT8U	VEGT8U	VEGT8U		VEGT8U	FMFT413U	FMFT413U	FMFT413U	VNEU217U	VNEU217U	
	PREMIUM EFFICIENCY	EMC3121U	EMC3125U	EMC3130U		NEU2140U	NEU2155U	NEU2168U				
		EM2X3121U	EM2X3125U		EMT2130U	EMX3134U						
HIGH EFFICIENCY	EMT2121U	NEMT2125U				NEK2150U	NEK2160U	NT2180U	NT2180U	NT2210U	NT2210U	
R134a	PREMIUM EFFICIENCY - FULLMOTION INVERTER (VARIABLE SPEED COMPRESSOR)	VEGT8HB	VEGT11HB	VEGT11HB								
	HIGH EFFICIENCY	NE2121Z	NE2130Z	NE2134Z		NEK2140Z						
R404A	STANDARD EFFICIENCY	NEK2121GK	NEK2125GK	NEK2125GK		NEK2134GK	NEK2150GK	NEK2168GK	NEK2178GK	NT2180GK	NT2192GK	NT2212GK

COMMERCIAL KITCHEN APPLICATIONS - 50HZ MBP

(Medium temperature refrigerators)

GROSS VOLUME (RANGE OF SIZES)	REACH-IN REFRIGERATOR	200 - 275 l	275 - 375 l	175 - 500 l		550 - 700 l	700 - 950 l	950 - 1200 l	1200 - 1500 l
	FOOD PREPARATION TABLE REFRIGERATOR	70 cm	115 cm	140 cm		165 cm	190 cm	240 cm	300 cm
	UNDERCOUNTER REFRIGERATOR								
	WORKTOP REFRIGERATOR	100 - 200 l	200 - 350 l	350 - 500 l		-500 l	-	-	-
R290	PREMIUM EFFICIENCY - FULLMOTION INVERTER (VARIABLE SPEED COMPRESSOR)			VEGT8U		VEGT8U	VEGT8U	VEGT8U	
	PREMIUM EFFICIENCY			EMC3119U		EMC3121U	EMC3125U	EMC3130U	
	HIGH EFFICIENCY		EMI50UER	EMX6144U		EMX6165U	EMX6181U	NEU6212U	NEU6214U
R134a	PREMIUM EFFICIENCY - FULLMOTION INVERTER (VARIABLE SPEED COMPRESSOR)	VEMY6HH	VEMY6HH	VEMY6HH		VEGT8HB	VEGT11HB	VEGT11HB	VNEK614Z
	HIGH EFFICIENCY	EMT45HDR	EMT6144Z	EMT6160Z		EMT6170Z	NEU6187Z	NEU6212Z	NEU6214Z
R404A	STANDARD EFFICIENCY	NEK6144GK	NEK6152GK	NEK6165GK		NEK6181GK	NEK6210GK	NEK6213GK	NEK6213GK

AVERAGE PROF. KITCHEN REFRIGERATOR SPECIFICATION		
Evap. Temperature	-30 to -15°C	-15 to -5°C
Application	LBP	MBP
Starting Type	LST	LST
Cooling Type	Fan	Fan
Door Type	Solid	Solid

COLD ROOM

Cooling - temperature inside room +2°C (meat, milk products, packaged goods).

GROSS VOLUME m ³	up to 3	3 - 5	5 - 10		10 - 13	13 - 17	17 - 23	23 - 35
DIMENSIONS (example) m	1 x 1,5 x 2	1,25 x 2 x 2	2 x 2 x 2,5		2 x 2,6 x 2,5	2 x 3,4 x 2,5	3 x 3 x 2,5	3,5 x 4 x 2,5
R404A	NEU6210GK	NEU6212GK	NEU6215GK		NT6220GK	NT6224GK	NJ9232GK	NJ9238GK
R134a	NEU6210Z	NEU6212Z	NEU6214Z		NT6220Z	NJ6226Z		

Freezer - temperature inside room -24°C (frozen, packaged goods)

GROSS VOLUME m ³	up to 3	3 - 5	5 - 8		8 - 12	12 - 15
DIMENSIONS (example) m	1 x 1,5 x 2	1,25 x 2 x 2	2 x 2 x 2,5		2 x 2,6 x 2,5	2 x 3,4 x 2,5
R404A	NT2180GK	NJ2192GK	NJ2212GK		2 x NT180GK	2 x NJ2212GK
R290	NEU2178U	NEU2178U	NT2210U			

REFRIGERATED ISLAND

GROSS VOLUME (l)		400 - 500	500 - 600		600 - 700	700 - 800	800 - 900	900 - 1000	1000 - 1100	1100 <
R404A	PREMIUM EFFICIENCY	VNEK206GK	VNEK212GK		VNEK212GK	NT6220GK	NT6224GK	NJ9232GK	NJ9238GK	
	HIGH EFFICIENCY	NEU2140GK	NEU2140GK		NEU2168GK	NT2180GK	NJ2192GK	NT2212GK	NT2212GK	NJ2212GK
R290	PREMIUM EFFICIENCY	NEU6210Z	NEU6212Z		FMFT413U	FMFT413U	FMFT413U	FMFT413U	VNEU217U	VNEU217U
	HIGH EFFICIENCY	NEU2140U	NEU2140U		NEU2168U	NEU2178U	NT2210U	NT2210U		

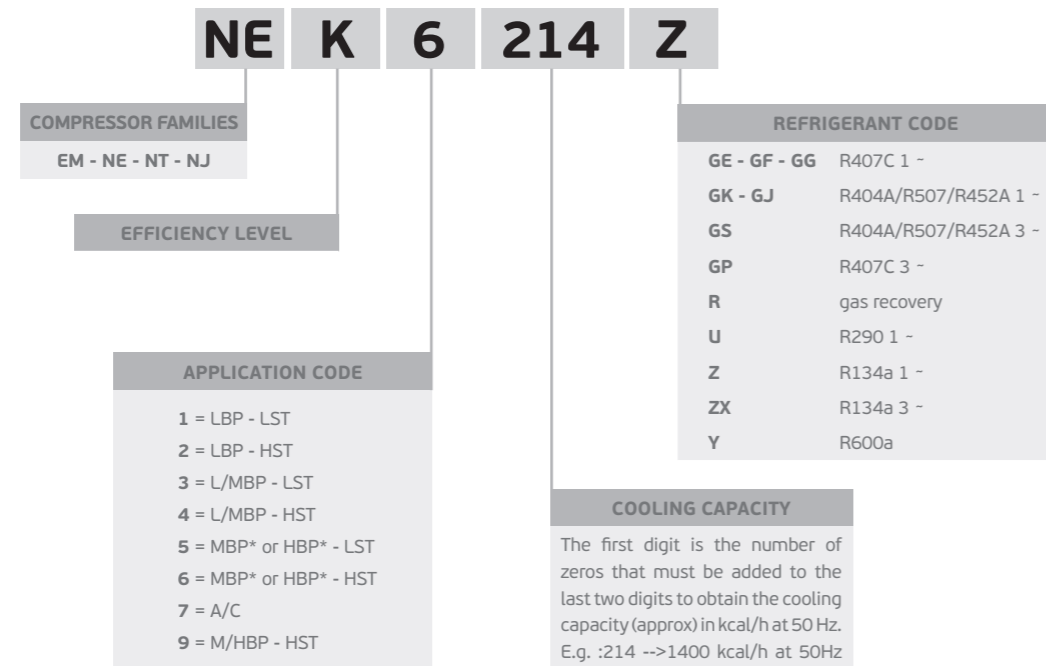
HORIZONTAL FREEZER (SOLID DOOR + GLASS DOOR)

GROSS VOLUME (l)		up to 150		150 - 200		200 - 250		250 - 300		300 - 350			350 - 400		400 - 450		450 - 500		500 - 550		550 - 600		600...	
DOOR TYPE		SOLID	GLASS	SOLID	GLASS	SOLID	GLASS	SOLID	GLASS	SOLID	GLASS		SOLID	GLASS	SOLID	GLASS	SOLID	GLASS	SOLID	GLASS	SOLID	GLASS	SOLID	GLASS
R134a	STANDARD EFFICIENCY	EMT36HLP	EMT36HLP	EMT36HLP	EMT49HLP	EMT49HLP	EMT60HLP	EMT60HLP	NEK2118Z	NEK2118Z	NE2121Z		NE2121Z	NE2130Z	NE2130Z	NE2130Z	NE2130Z	NE2134Z	NE2134Z	NE2134Z	NEK2140Z	NEK2140Z		
	PREMIUM EFFICIENCY																							
R404A	STANDARD EFFICIENCY				EMT2117GK	EMT2117GK	EMT2125GK	EMT2125GK	EMT2125GK	EMT2130GK	EMT2130GK		EMT2130GK	EMT2130GK	EMT2130GK	EMT2130GK	NEU2140GK	NEU2140GK	NEU2140GK	NEU2140GK	NEU2140GK	NEU2155GK	NEU2155GK	NEU2168GK
	PREMIUM EFFICIENCY																							
R290	STANDARD EFFICIENCY					EMC3119U	EMC3119U	EMC3119U	EMC3121U	EMC3121U	EMC3121U		EMC3121U	EMC3121U	EMC3125U	EMC3130U	EMC3130U	EMC3130U	EMC3134U	NEU1140U	NEU1140U	NEU1140U	NEU1140U	NEU2155U
	HIGH EFFICIENCY					EMT2117U	EMT2117U	EMT2121U	EMT2121U	EMT21215U	EMT2125U		EMT2125U	EMT2125U	EMT2125U	EMT2130U	EMT2130U	EMX3134U	NEK2134U	NEK2134U	NEK2134U	NEK2134U	NEK2150U	NEK2168U
R600	STANDARD EFFICIENCY	EMC32CLT	EMD32CLT	EMC46CLT	EMC55CLT	EMC55CLT	EMC66CLT	EMC66CLT	EMC70CLT	EMC70CLT	EMC80CLT		EMC80CLT	EGX100CLC	EGX100CLC									
	HIGH EFFICIENCY	EMX32CLC	EMX32CLC	EMX55CLC	EMX55CLC	EMX66CLC	EMX66CLC	EMX66CLC	EMX70CLC	EMX70CLC	EMX3118Y		EMX3118Y	NBY1118Y										

NOMENCLATURE

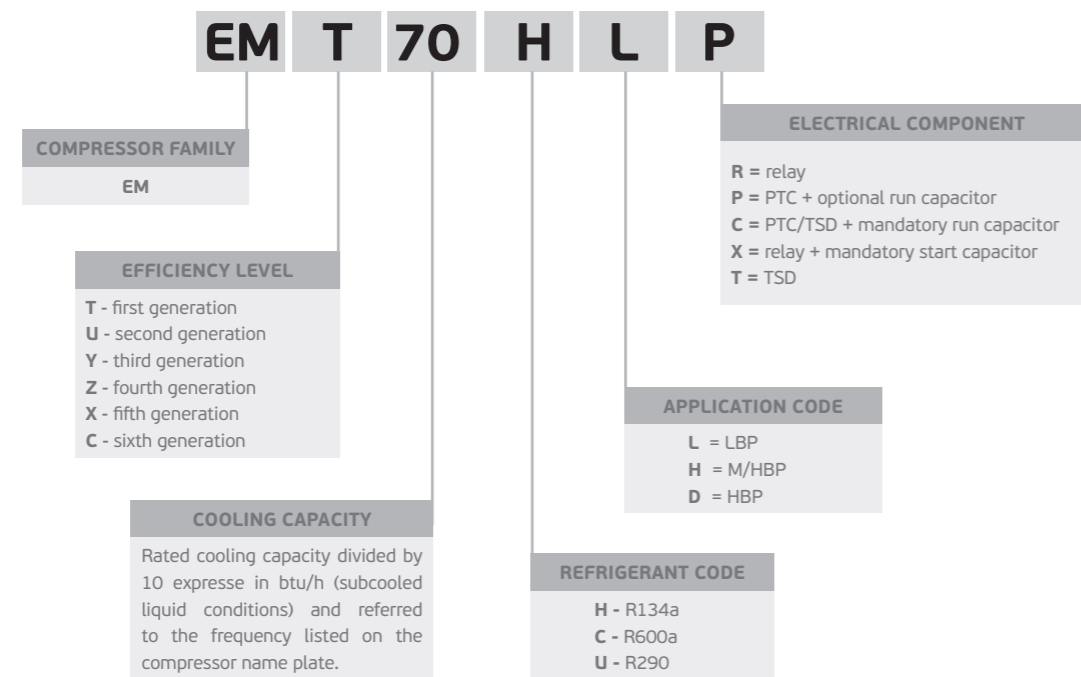


EM / NE / NT / NJ

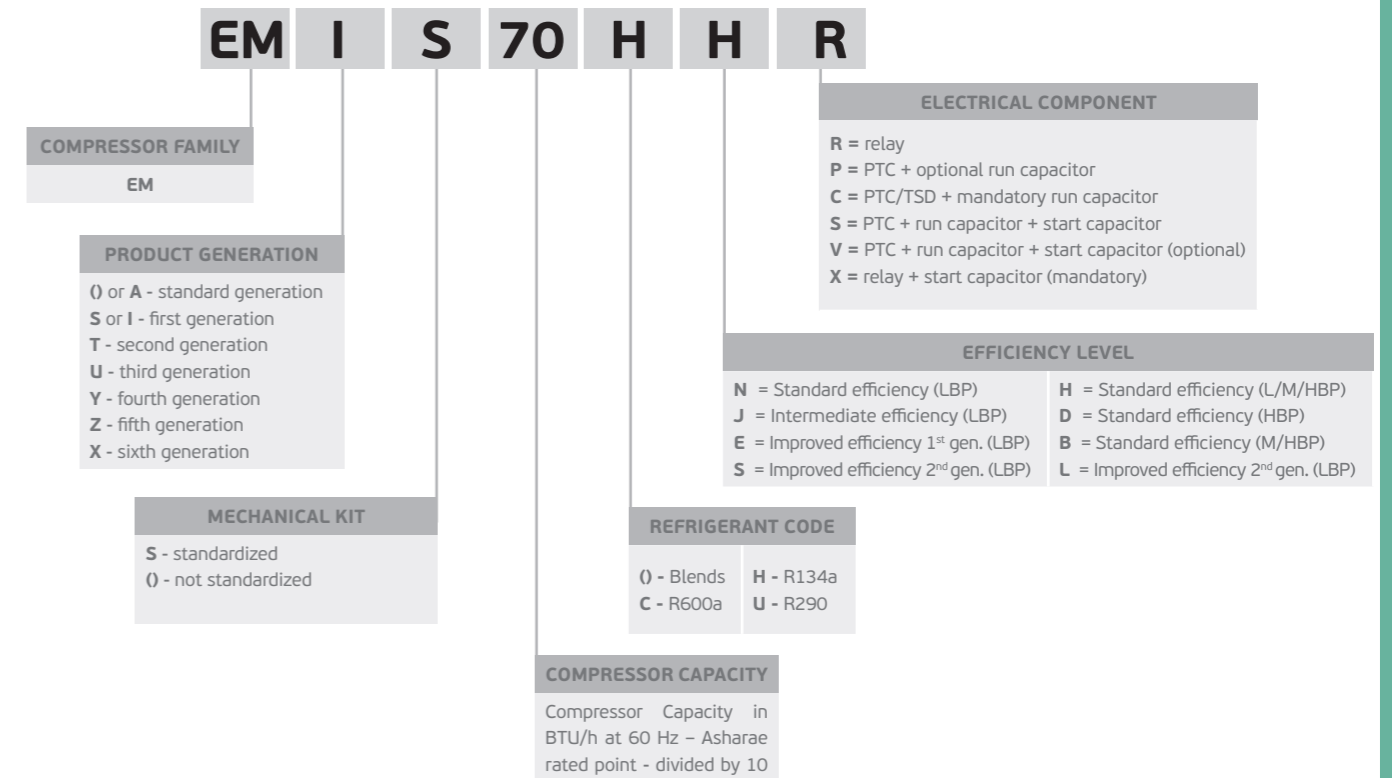


The V letter at the end of the compressor name stands for IPR valve.
*According to the refrigerant used

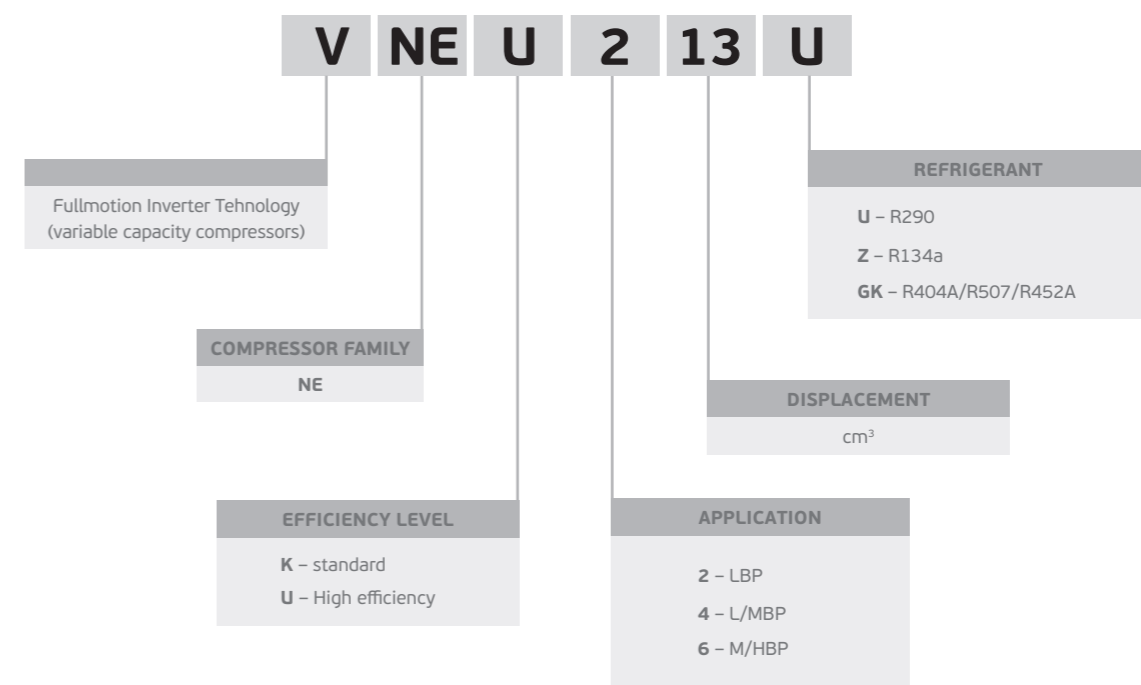
EM EUROPE BASE



EM / EG BRAZIL BASE

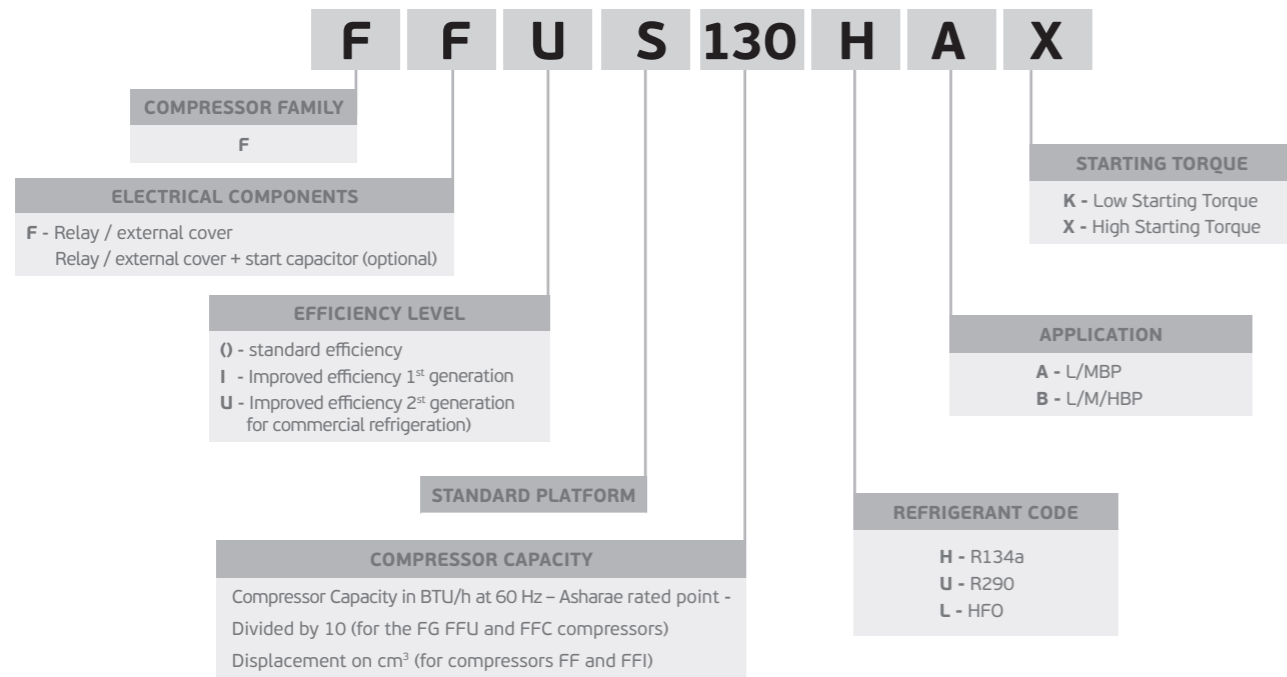


VNE / FMF

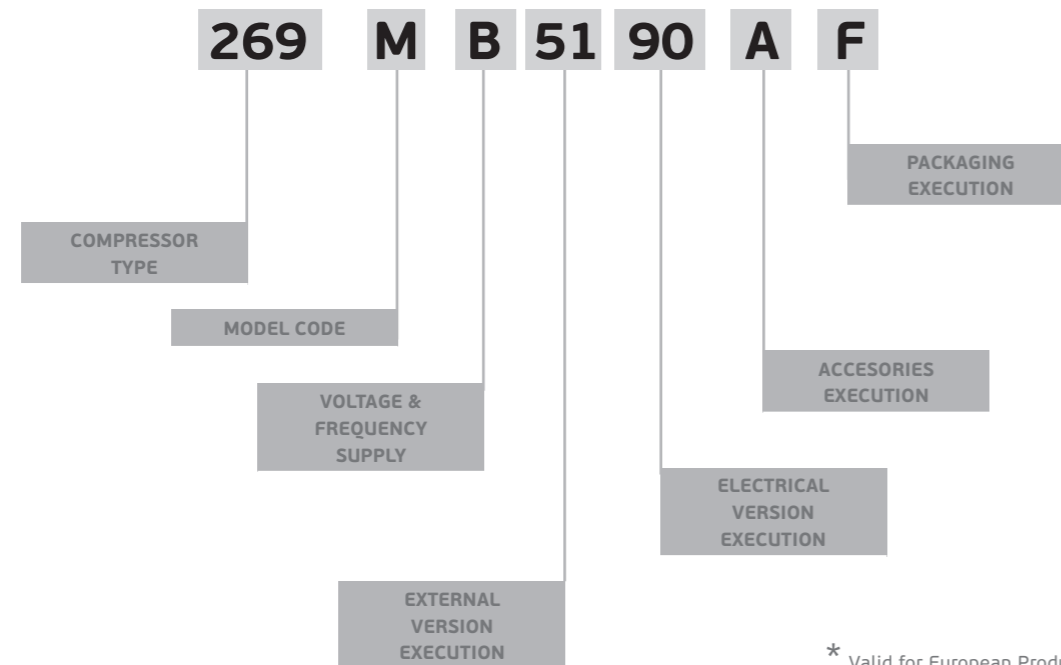


NOMENCLATURE

F



COMPRESSOR BILL OF MATERIAL CODE *



* Valid for European Products



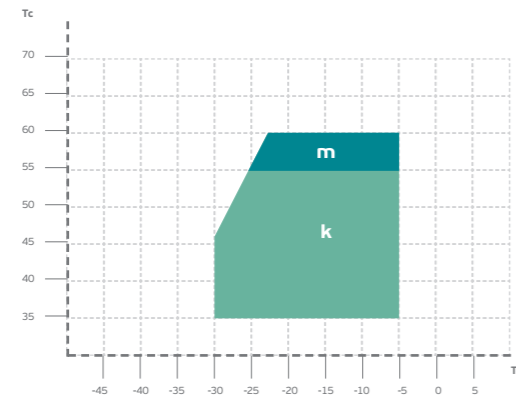
TECHNICAL
INFORMATION



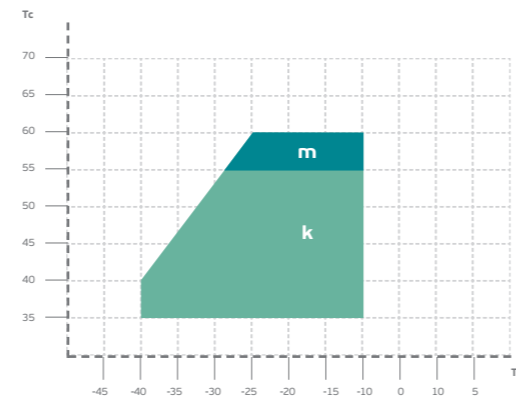
OPERATING ENVELOPE

EMC, EMX, NE, NT, NJ, VNE

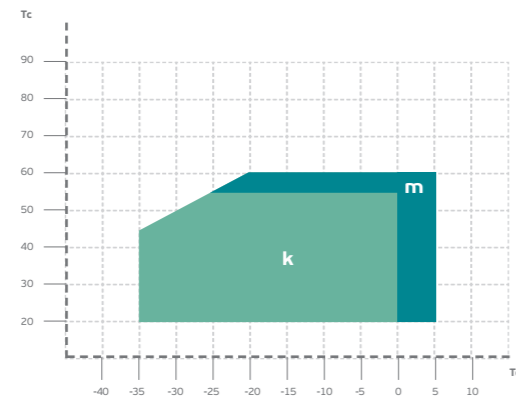
LBP
R134a - R600a



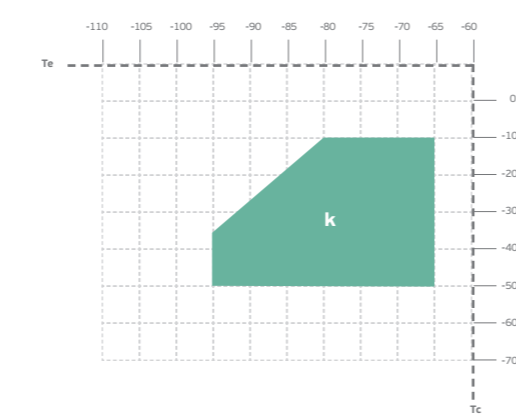
LBP
R404A/R507/R452A - R290



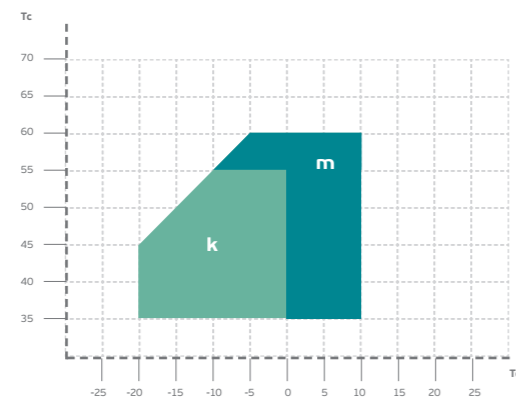
L/MBP
R290/R134a/R600a



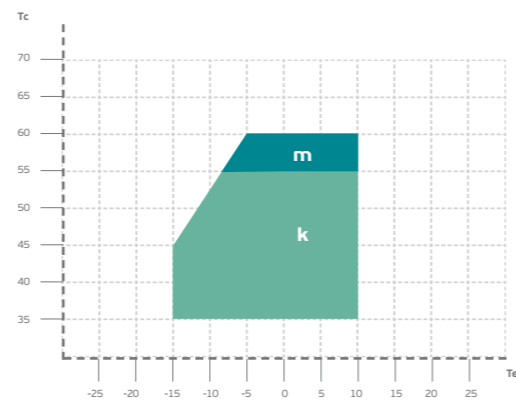
ULBP
R508B/R170 - second stage of cascade



MBP
R404A/R507/R452A - R290



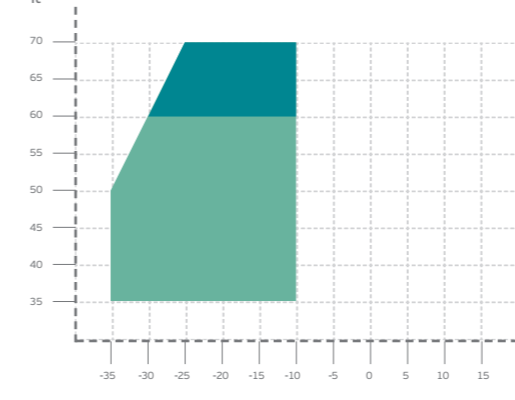
HBP
R134a - R600a



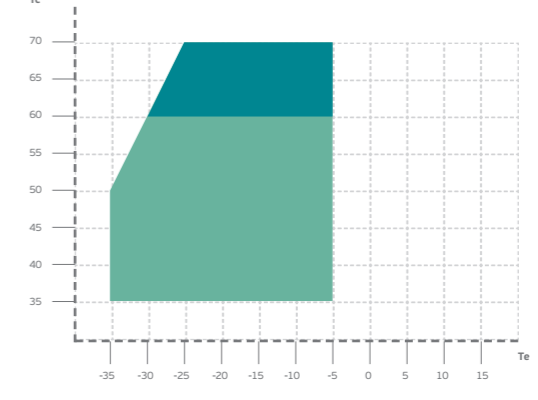
EM, EG, F, VEM, FMF, VES

Ambient temperature: 42°C - Return temperature: 32°C

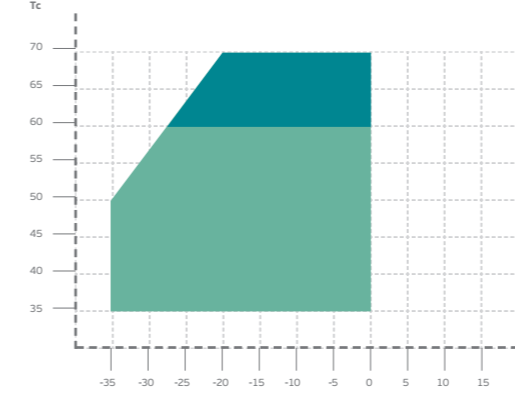
LBP
R290 - R134a - R600a



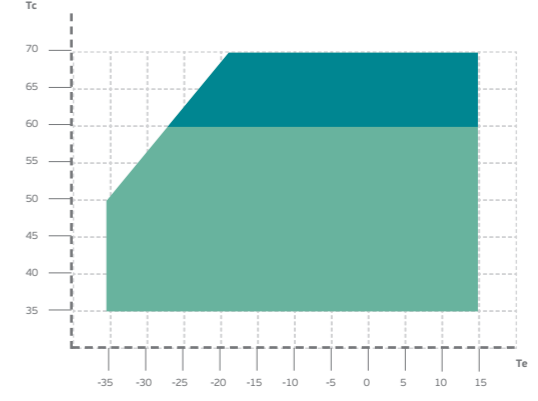
L-MBP (STANDARD)
R290 - R134a



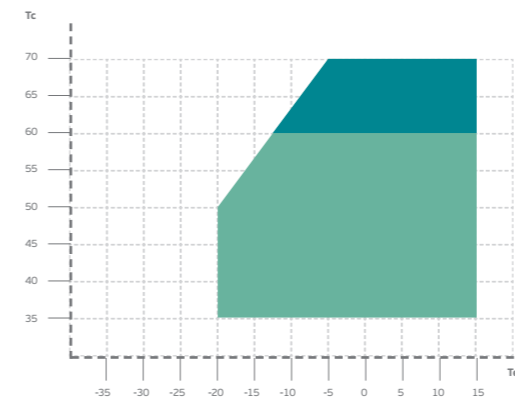
L-MBP EXTENDED RANGE FFUS, EM2, EM3
R290 - R134a - R600a



L-M-HBP
R134a



M-HBP
R134a



■ Operation Condition
■ Transient Condition

Tc Condensing Temperature °C
k Ambient 32°C and return gas 20°C
Te Evaporating Temperature °C
m Ambient 32°C and return gas 20°C (for transitory period)

NOTE: usage of compressors outside the intended working range causes the lapse of the warranty, or should be consulted with Technical support.

ALTERNATIVE REFRIGERANTS

R452A, R449A, R448A, R513A AND R450A CHARACTERISTICS

ACCORDING TO EN378	R452A	R449A	R448A	R513A	R450A
Chemical Name	Mixture R32/R125/R1234yf	Mixture R32/R125/R1234yf/R134a	Mixture R32/R125/R1234yf/R134a/R1234ze(E)	Mixture R134a/R1234yf	Mixture R134a/R1234ze(E)
Molecular Formula	weight % (11/59/30)	weight % (24.3/24.7/25.3/25.7)	weight % (26/26/20/21/7)	weight % (44/56)	weight % (42/58)
Safety Class	A1	A1	A1	A1	A1
PED fluid group	2	2	2	2	2
Practical Limit [kg/m ³]	0.423	0.357	0.388	0.319	0.319
ATEL/ODL [kg/m ³]	0.423	0.357	0.388	0.319	0.345
LFL [kg/m ³]	NF (*)	NF (*)	NF (*)	NF (*)	NF (*)
Vapour density 25°C, 101.3 kPa [kg/m ³]	4.30	3.62	3.58	4.256	4.54
Molecular Mass [g/mol]	103.51	87.21	86.28	108.4	108.67
Normal Boiling Point [°C]	-47 to -43.2	-46 to -39.9	-45.9 to -39.8	-29.05	-23.4 to -22.8
ODP	0	0	0	0	0
GWP [100 yr ITH]	2140	1397	1387	631.4	604.7
Autoignition temperature [°C]	ND	ND	ND	ND	ND
Critical Temperature [°C]	74.9	81.5	83.7	96.5	104.4
Critical Pressure [kPa abs]	4001.7	4447	4660	3766	3820
Temperature glide at 1 bar abs pressure [K]	3.8	6.1	6.3	0.1	0.8

(*) NF means non-flammable.

Note: HFC refrigerants (R452A, R449A, R448A, R513A and R450A) are classified in Safety Class A1 - lower toxicity, no flame propagation, (according to ISO817).

R404A

R452A is presenting the same or lower thermal profile when compared with R404A. Therefore, Embraco approves R452A as an alternative refrigerant for all Embraco R404A compressor series and authorizes its use, both in LBP and MBP applications, maintaining the same operating envelope of R404A refrigerant and other Embraco application guidelines as for example the system charge limitations defined for each Embraco compressor family.

R448A and **R449A** tests show relatively higher temperature levels than R404A. Usage of those refrigerants may require system changes, such as system condensing temperature reduction (larger condenser, improved ventilation) or return gas temperature reduction in order to achieve a similar thermal profile as with R404A refrigerant. To maintain Embraco warranty, final application needs to be validated by Embraco Technical Support Team case by case. Usage in systems operating under high compression ratio conditions in particular should be avoided.

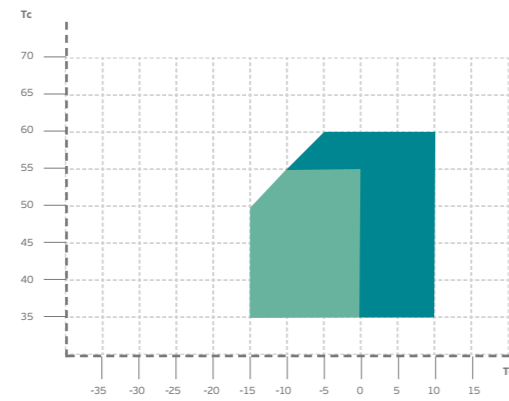
R134a

Embraco approves **R513A** as well as **R450A** as alternative refrigerants for Embraco R134a compressors and authorizes their usage, both in LBP and HBP applications, maintaining the same operating envelope of R134a refrigerant and other Embraco application guidelines, such as the system charge limitations defined for each Embraco compressor family.

Refrigerant R513A, according to the calorimetric evaluation, is showing low impact on cooling capacity, while refrigerant R450A is showing drop of cooling capacity about 12% in average when tested at calorimeter. Actual impact on performances has to be verified on specific application. Embraco R134a compressors, using R450A and R513A, are maintain the same electrical components and are show the same reliability as with R134a refrigerant.

RESTRICTED OPERATING ENVELOPE

MBP R449A/R448A (max return 20 deg C)



■ Operation Condition
■ Transient Condition
T_c Condensing Temperature °C
T_e Evaporating Temperature °C

NOTE: usage of compressors outside the intended working range causes the lapse of the warranty, or should be consulted with Technical support.

For more information consult R449A/R448A ECN.

Customer always have the possibility of converting the system for use of **R134a** in place of **R404A** for this transition period, just by changing compressor model and relative system design adjustment.

EMBRACO COMPRESSORS INSTALLATION INSTRUCTIONS

The Installation Instructions apply to the Embraco on-off compressors produced in Europe (the country of origin is indicated on the compressor label).

They are addressed to professional users, refrigeration system manufacturers/installers and maintenance technicians and they are intended to provide instructions/recommendations on the proper use of Embraco compressors regarding reliability, performance and safety aspects. It's available on:

products.embraco.com



APPLICATIONS

ULBP	ULTRA LOW BACK PRESSURE	APPLICATIONS:
	Evaporating temperature between -95 °C and -65 °C	medical appliances.
LBP	LOW BACK PRESSURE	APPLICATIONS:
	Evaporating temperature lower than -20 °C	refrigerators, frozen food cabinets, frozen food display case, display windows, etc.
L/MBP	LOW/MEDIUM BACK PRESSURE	APPLICATIONS:
	Evaporating temperature between -35 °C and 0 °C	professional kitchen coolers, icecream freezers, bottle coolers, chest freezers, etc.
MBP	MEDIUM BACK PRESSURE	APPLICATIONS:
	Evaporating temperature between -20 °C and 0 °C	fresh food cabinets, drink coolers, ice makers, etc.
M/HBP	MEDIUM/HIGH BACK PRESSURE	APPLICATIONS:
	Evaporating temperature between -20 °C and +10 °C	coolers, merchandisers, etc.
HBP	HIGH BACK PRESSURE	APPLICATIONS:
	Evaporating temperature between -15 °C and +10 °C	fresh food cabinets, bottle coolers, dehumidifiers, etc.

EXPANSION DEVICE

C	Capillary Tube.
V	Expansion Valve.

TEST CONDITIONS

TEST CONDITIONS	APPLICATION	EVAPORATING TEMPERATURE °C	CONDENSING TEMPERATURE °C	RETURN GAS TEMPERATURE °C	SUB-COOLING	AMBIENT TEMPERATURE °C
EN 12900	LBP	-35	40	20 (*)	0	32
	MBP	-10	45			
	HBP	5	50			
ARI 540	LBP	-23,3	48,9	4,4	0	35
	MBP	-6,7	48,9	4,4		
	HBP	7,2	54,4	18,3		
ASHRAE SUBCOOLED	LBP	-23,3	54,4	32,2	22,2K	32,2
	MBP and HBP	7,2	54,4	35	8,3K	35
CECOMAF	LBP	-25	55	32	0	32

(*) For EMT and NE models return gas temperature is 32°C.

UNIT CONVERSION TABLE

UNIT CONVERSION	
1 watt	3,41 Btu/h
1 watt	0,86 kcal/h
1 kcal/h	3,97 Btu/h

COOLING TYPE

STATIC (S)	Compressor doesn't require forced cooling, but its installation is requiring adequate cool by ambient air to avoid overheating.
FAN (F)	Compressor requires forced cooling through the use of a fan.

OIL TYPE (the number indicates the viscosity)

AB	Alkylbenzene and Alquilb
POE	Ester
MIN	Mineral

MOTOR TORQUE

LST	LOW STARTING TORQUE Compressor with RSIR-RSCR-PSC electrical motor for systems with capillary tube and with equalized pressures at start up.
HST	HIGH STARTING TORQUE Compressor with CSIR-CSR and 3ph electrical motor for systems with equalized or not equalized pressures at start up.

ELECTRICAL MOTOR TYPES

RSIR	Resistance Start – Inductive Run This motor type, used into low power compressors, has a low starting torque (LST) and must be applied only to capillary tube systems where the pressures equalize. The motor is characterized by a start winding with high ohmic resistance and must be disconnected when it reaches the stabilized rotational speed. An electromagnetic relay, calibrated for the motor current, disconnects the start winding at the end of the start up. An alternative to the electromagnetic relay is, for some models, a PTC solid state-starting device.
RSCR	Resistance Start – Capacitive Run Similar to RSIR motor version but uses a PTC solid state starting device and a permanently connected run capacitor to improve its efficiency.
CSIR	Capacitive Start – Inductive Run Similar to RSIR motor, with a different start winding in series with a start capacitor of suitable capacitance to get a high starting torque.
CSR	Capacitive Start & Run CSR version with capacitive run and start windings. Same as PSC motor but with a start capacitor in series with the start winding. A potential starting relay, calibrated for each motor, disconnects the start capacitor at the end of the start. The motor is characterized by a high starting torque (HST) and high efficiency.
PSC	Permanent Split Capacitor PSC version with capacitive run winding. This motor is characterized by the run capacitor permanently connected in series with the start winding; both remain connected even after the motor starts. The starting torque is enough to guarantee that the compressor starts only with balanced pressures in capillary tubes systems or with a pressure equalizer.
3Ø	Three Phase Three-phase windings with star connections.
BLDC	Brushless DC motor - motor with permanent magnets Motor-compressor with this type of motor is provided with inverter drive which allows motor-compressor to work in various RPM (rotation per minute). RPM modulation result in cooling capacity adjustment according actual appliance needs which results in energy savings and more precise temperature regulation.

ELECTRICAL COMPONENTS

TYPE OF MOTOR	STARTING DEVICE					CAPACITORS	
	Overload Protector (*)	Current Relay	Voltage Relay	PTC	TSD	Start	Run
RSIR	√	√	X	√	X	X	X
RSCR	√	X	X	√	√	X	√
CSIR	√	√	X	X	X	√	X
CSR	√	X	√	X	X	√	√
PSC	√	X	X	X	X	X	√
3-Phases	√	X	X	X	X	X	X

(*) Some models approved with Internal OLP

VOLTAGE & FREQUENCY

Code	Voltage & Frequency	Voltage Working Range		Minimum Start Voltage	
		50Hz	60Hz	50Hz	60Hz
A	220 - 240V 50Hz 1 ~	198V ÷ 254V		187V	
B	200 - 230V 50Hz / 208 - 230V 60Hz 1 ~	180V ÷ 244V	187V ÷ 244V	170V	177V
C	220V 50Hz 1 ~	200V ÷ 242V		187V	
D	208 - 230V 60Hz 1 ~		187V ÷ 244V		177V
E	115 - 127V 60Hz 1 ~		103V ÷ 134V		98V
F	100V 50Hz / 100 - 127V 60Hz 1 ~	90V ÷ 110V	90V ÷ 134V	85V	85V
G	115V 60Hz 1 ~		103V ÷ 127V		98V
I	220 - 240V 50/60Hz 1 ~	198V ÷ 254V	198V ÷ 254V	187V	187V
J	230V 60Hz 1 ~		207V ÷ 253V		195V
K	200 - 220 V 50Hz / 230 V 60 Hz 1~	180V ÷ 234V	207V ÷ 253V	170V	195V
M	380 - 420V 50Hz / 440 - 480V 60 Hz 3 ~	332V ÷ 445V	396V ÷ 509V	323V	374V
N	200 - 240V 50Hz / 230V/60Hz 1 ~	180V ÷ 254V	207V ÷ 253V	170V	195V
P	380V 60Hz 3 ~		342V ÷ 418V		323V
Q	100V 50/60Hz 1~	90V ÷ 110V	90V ÷ 110V	85V	85V
R	200V 50/60Hz 3 ~	180V ÷ 220V	180V ÷ 220V	170V	170V
S**	400V 50Hz / 440V 60Hz 3 ~	360V ÷ 440V	396V ÷ 484V	340V	374V
V	230V 50Hz 1 ~	207V ÷ 253V		195V	
X	220 - 240V 50/60Hz 1 ~	150V (160V*) ÷ 240V		150V (160V*)	
Z	200 - 230V 60Hz 1 ~		180V ÷ 244V		170V

* Depending on compressor family, for details contact Technical Support.

** For specific model refer to datasheet or consult with Embraco technical support team.

COMPRESSOR FIXING & VALVE TYPE

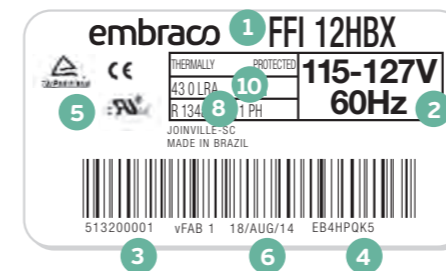
FIXING TYPE	EM / VES	NE / VNE	NT	NJ
A	Grommets & Sleeves	Grommets & Sleeves	Grommets & Sleeves	Grommets & Sleeves
P	Grommets & Snap On	Grommets & Snap On	X	X

VALVE TYPE	EM / VES	NE / VNE	NT	NJ
V	X	X	X	Rotolock Valve Threated Connection
Z	X	X	X	Rotolock Valve Brazed Connection

IDENTIFICATION LABEL



- 1 Compressor model
- 2 Supply Voltage
- 3 Bill of Materials code
- 4 Serial Number
- 5 Agency Approval Marks
- 6 Date code or Production date
- 7 Oil type and quantity
- 8 Refrigerant type
- 9 Current Consumption (Rated Load Amperage, when applicable)
- 10 Locked Rotor Amperage (when applicable)



- 1 Compressor model
- 2 Supply Voltage
- 3 Bill of Materials code
- 4 Serial Number
- 5 Agency Approval Marks
- 6 Date code or Production date
- 8 Refrigerant type
- 10 Locked Rotor Amperage (when applicable)



PACKAGING

EMT / EMY / EMX / EMC / VES					
PACKAGING TYPE	CODE	QUANTITY PER PALLET	ELECTRICAL COMPONENTS		NOTE
			ASSEMBLED	NOT ASSEMBLED	
SINGLE PACK	A	70	√	X	
	J	56	√	X	
MULTIPLE PACK	R	100	X	√	Electrical components and accessories delivered separately
	S	120	X	√	
	G	100	√	X	Accessories delivered separately
	O	74	√	X	
	W	88	√	X	
	V	100	√	X	
	E	120	√	X	

NE / NEK / NEU / VNEK / VNEU					
PACKAGING TYPE	CODE	QUANTITY PER PALLET	ELECTRICAL COMPONENTS		NOTE
			ASSEMBLED	NOT ASSEMBLED	
SINGLE PACK	A	56	√	√	
	F	44	√	√	CSR electrical box included
	J	56	√	X	
MULTIPLE PACK	H	28	√	X	CSR electrical box included
	M	80	X	√	Electrical components and accessories delivered separately
	N	40	X	√	
	O	74	√	X	
	Q	37	√	X	

NT / NTU					
PACKAGING TYPE	CODE	QUANTITY PER PALLET	ELECTRICAL COMPONENTS		NOTE
			ASSEMBLED	NOT ASSEMBLED	
SINGLE PACK	A	44	√	√	
	F	44	√	√	CSR electrical box included
MULTIPLE PACK	C	36	X	√	Electrical components and accessories delivered separately
	Z	24	√	X	

NJ					
PACKAGING TYPE	CODE	QUANTITY PER PALLET	ELECTRICAL COMPONENTS		NOTE
			ASSEMBLED	NOT ASSEMBLED	
SINGLE PACK	A	33	X	√	
	F	33	X	√	CSR electrical box included
MULTIPLE PACK	C	36	X	√	Electrical components and accessories delivered separately
	Y	28	√	X	

F / EG / VEG / VEM / VES					
PACKAGING TYPE	CODE	QUANTITY PER PALLET	ELECTRICAL COMPONENTS		NOTE
			ASSEMBLED	NOT ASSEMBLED	
MULTIPLE PACK	F / EG / VEG	72	√	X	
		80	X	√	
	VEM	100	√	√	
	VES	120	√	√	

GENERAL DATA & PERFORMANCE



VARIABLE CAPACITY COMPRESSOR WITH INVERTER (FULLMOTION)

R134a • L/M/HBP • 50 - 60Hz

MODEL	DISPL. cm ³	VOLTAGE FREQUENCY	MOTOR TYPE	TORQUE	APPL.	RATED POINT - ASHRAE -23,3 °C / 54,4 °C		RATED POINT - EN12900 5 °C / 50 °C		SPEED RANGE RPM	WEIGHT kg	MAX HEIGHT A mm	LRA A	COOLING TYPE	FAN AIR FLOW m ³ /h	OIL CHARGE cm ³	OIL TYPE	EXP. DEVICE	DRAWINGS		INVERTER			MODEL	
						CAPACITY RANGE W	EFFICIENCY RANGE W/W	CAPACITY RANGE W	EFFICIENCY RANGE W/W										EXTERNAL VIEW REFERENCE	WIRING DIAGRAM REFERENCE	INPUT VOLTAGE FREQUENCY	MODEL	OUTPUT POWER W		CONTROL MODE
VEMY3H	3,00	230 V 53-150Hz 3 ~	BPM	LST	LBP	41-126	1,48-1,55	-	-	1600-4500	7,5	180	2,1	S		220	POE10	C	DWG23	CON01-02-03-04-05	220-240V 50/60Hz	VCC3	200	Drop-in, Frequency	VEMY3H
VEMY4H	3,97	230 V 53-150Hz 3 ~	BPM	LST	LBP	63-170	1,55-1,66	-	-	1600-4500	7,5	180	2,1	S		220	POE10	C	DWG23	CON01-02-03-04-05	220-240V 50/60Hz	VCC3	200	Drop-in, Frequency	VEMY4H
VEMY5H	4,99	230 V 53-150Hz 3 ~	BPM	LST	LBP	84-206	1,60-1,76	-	-	1600-4500	7,5	180	2,1	S		220	POE10	C	DWG23	CON01-02-03-04-05	220-240V 50/60Hz	VCC3	200	Drop-in, Frequency	VEMY5H
VEMY6HH	5,72	230 V 53-150Hz 3 ~	BPM	LST	L/M/HBP	113-229	1,60-1,68	-	-	1600-4500	7,5	180	2,1	F	520	220	POE10	C	DWG23	CON01-02-03-04-05	220-240V 50/60Hz	VCC3-CO	320	Drop-in, Serial, Frequency	VEMY6HH
VEGT7H	7,15	230 V 53-150Hz 3 ~	BPM	LST	LBP	129-290	1,46-1,62	-	-	1600-4500	10	200	3,3	S		430	POE10	C	DWG09	CON01-02-03-10-11	220-240V 50/60Hz	VCC3	200	Drop-in, Frequency	VEGT7H
VEGT8HB	7,95	230 V 53-150Hz 3 ~	BPM	LST	L/MBP	137-340	1,55-1,76	-	-	1600-4500	10	200	3,3	F	520	430	POE10	C	DWG09	CON01-02-03-10-11	220-240V 50/60Hz	VCC3-CO	320	Drop-in, Frequency	VEGT8HB
VEGT11HB	10,61	230 V 53-150Hz 3 ~	BPM	LST	L/MBP	191-429	1,49-1,66	-	-	1800-4500	10	200	3,3	F	520	430	POE10	C	DWG09	CON01-02-03-10-11	220-240V 50/60Hz	VCC3-CO	320	Drop-in, Frequency	VEGT11HB
VNEK610Z	10,00	220-240V 50/60Hz 1 ~	BPM	HST	HBP	-	-	630-1231	2,55-2,07	2000-4500	11,6	206	-	F	520	500	POE 22	C/V	DWG04	CON07-08-09	220-240V 50/60Hz	HP	800	Drop-in, Serial, Frequency	VNEK610Z
VNEK614Z	14,30	220-240V 50/60Hz 1 ~	BPM	HST	HBP	-	-	905-1637	2,46-1,9	2000-4500	11,6	206	-	F	520	500	POE 22	C/V	DWG04	CON07-08-09	220-240V 50/60Hz	HP	1000	Drop-in, Serial, Frequency	VNEK614Z

R404A/R507/R452A • LBP - MBP • 50 - 60Hz

MODEL	DISPL. cm ³	VOLTAGE FREQUENCY	MOTOR TYPE	TORQUE	APPL.	RATED POINT - EN12900 -35 °C / 40 °C		RATED POINT - ASHRAE -23,3 °C / 54,4 °C		RATED POINT - EN12900 -10 °C / 45 °C		SPEED RANGE RPM	WEIGHT kg	MAX HEIGHT A mm	LRA A	COOLING TYPE	FAN AIR FLOW m ³ /h	OIL CHARGE cm ³	OIL TYPE	EXP. DEVICE	DRAWINGS		INVERTER			MODEL	
						CAPACITY RANGE W	EFFICIENCY RANGE W/W	CAPACITY RANGE W	EFFICIENCY RANGE W/W	CAPACITY RANGE W	EFFICIENCY RANGE W/W										EXTERNAL VIEW REFERENCE	WIRING DIAGRAM REFERENCE	INPUT VOLTAGE FREQUENCY	MODEL	OUTPUT POWER W		CONTROL MODE
VNEK206GK	6,2	220-240V 50/60Hz 1 ~	BPM	HST	LBP	126-262	0,93-0,99	226-468	1,21-1,26			2000-4500	11,6	206	-	F	520	500	POE 22	C/V	DWG04	CON07-08-09	220-240V 50/60Hz	CF10	500	Drop-in, Serial, Frequency	VNEK206GK
VNEK606GK	6,2	220-240V 50/60Hz 1 ~	BPM	HST	MBP					380-801	1,55-1,78	2000-4500	11,6	206	-	F	520	500	POE 22	C/V	DWG04	CON07-08-09	220-240V 50/60Hz	CF10	800	Drop-in, Serial, Frequency	VNEK606GK
VNEK609GK	8,8	220-240V 50/60Hz 1 ~	BPM	HST	MBP					534-1084	1,64-1,83	2000-4500	11,6	206	-	F	520	500	POE 22	C/V	DWG04	CON07-08-09	220-240V 50/60Hz	CF10	1000	Drop-in, Serial, Frequency	VNEK609GK
VNEK212GK	12,1	220-240V 50/60Hz 1 ~	BPM	HST	LBP	245-465	1,01-1,11	442-860	1,26-1,33			2000-4500	11,6	206	-	F	520	500	POE 22	C/V	DWG04	CON07-08-09	220-240V 50/60Hz	CF10	1000	Drop-in, Serial, Frequency	VNEK212GK

R290 • LBP - MBP • 50 - 60Hz

MODEL	DISPL. cm ³	VOLTAGE FREQUENCY	MOTOR TYPE	TORQUE	APPL.	RATED POINT - EN12900 -35 °C / 40 °C		RATED POINT - ASHRAE -23,3 °C / 54,4 °C		SPEED RANGE RPM	WEIGHT kg	MAX HEIGHT A mm	LRA A	COOLING TYPE	FAN AIR FLOW m ³ /h	OIL CHARGE cm ³	OIL TYPE	EXP. DEVICE	DRAWINGS		INVERTER			MODEL	
						CAPACITY RANGE W	EFFICIENCY RANGE W/W	CAPACITY RANGE W	EFFICIENCY RANGE W/W										EXTERNAL VIEW REFERENCE	WIRING DIAGRAM REFERENCE	INPUT VOLTAGE FREQUENCY	MODEL	OUTPUT POWER W		CONTROL MODE
FMFT406U	6,44	103-140V 60Hz 1 ~	BPM	LST/HST	L/MBP	-	-	140-510	1,74-1,86	1400-4500	10,28	201		F		430	POE 22	C/V	DWG09	CON01-02-03-10-11	220-240V 50/60Hz	VCC3-CO	320	Drop-in, Serial, Frequency	FMFT406U
FMFT406U	6,44	220-240V 50/60Hz 1 ~	BPM	LST/HST	L/MBP	-	-	140-510	1,74-1,86	1400-4500	10,28	201		F		430	POE 22	C/V	DWG09	CON01-02-03-10-11	220-240V 50/60Hz	CF10	1000	Drop-in, Serial, Frequency	FMFT406U
VNEK207U	7,3	220-240V 50/60Hz 1 ~	BPM	HST	LBP	131-286	1,05-1,14	-	-	2000-4500	11,6	206	-	F	520	500	POE 22	C/V	DWG04	CON07-08-09	220-240V 50/60Hz	CF10	1000	Drop-in, Serial, Frequency	VNEK207U
VEGT8U	7,95	220-240V 50/60Hz 1 ~	BPM	LST	L/MBP	-	-	239-647	1,73-1,74	1800-4500	10,28	201		F		430	POE 22	C/V	DWG09	CON01-02-03-10-11	220-240V 50/60Hz	CF10	1000	Drop-in, Serial, Frequency	VEGT8U
FMFT411U	11,14	220-240V 50/60Hz 1 ~	BPM	LST/HST	L/MBP	208-501	1,47-1,57	349-867	1,76-1,84	1800-4500	10,9	201	6,5	F		430	POE 22	C/V	DWG09	CON01-02-03-10-11	220-240V 50/60Hz	CF10	1000	Drop-in, Serial, Frequency	FMFT411U
FMFT413U	12,92	220-240V 50/60Hz 1 ~	BPM	LST/HST	L/MBP	234-572	1,46-1,54	403-998	1,72-1,84	1800-4500	10,9	201	6,5	F		430	POE 22	C/V	DWG09	CON01-02-03-10-11	220-240V 50/60Hz	CF10	1000	Drop-in, Serial, Frequency	FMFT413U
VNEK213U	13,5	220-240V 50/60Hz 1 ~	BPM	HST	LBP	255-525	1,14-1,25	419-908	1,36-1,44	2000-4500	11,6	206	-	F	520	500	POE 22	C/V	DWG04	CON07-08-09	220-240V 50/60Hz	CF10	1000	Drop-in, Serial, Frequency	VNEK213U
VNEU213U	13,5	220-240V 50/60Hz 1 ~	BPM	HST	LBP	262-574	1,22-1,28	-	-	2000-4500	11,4	206	-	F	520	500	POE 22	C/V	DWG04	CON07-08-09	220-240V 50/60Hz	CF10	1000	Drop-in, Serial, Frequency	VNEU213U
VNEU217U	16,8	220-240V 50/60Hz 1 ~	BPM	HST	LBP	346-699	1,20-1,29	-	-	2000-4500	11,4	206	-	F	520	500	POE 22	C/V	DWG04	CON07-08-09	220-240V 50/60Hz	CF10	1000	Drop-in, Serial, Frequency	VNEU217U

R600A • LBP - L/MBP • 50 - 60Hz

MODEL	DISPL. cm ³	VOLTAGE FREQUENCY	MOTOR TYPE	TORQUE	APPL.	RATED POINT - ASHRAE -23,3 °C / 54,4 °C		RATED POINT - CECOMAF -25 °C / 55 °C		SPEED RANGE RPM	WEIGHT kg	MAX HEIGHT A mm	LRA A	COOLING TYPE	FAN AIR FLOW m ³ /h	OIL CHARGE cm ³	OIL TYPE	EXP. DEVICE	DRAWINGS		INVERTER			MODEL	
						CAPACITY RANGE W	EFFICIENCY RANGE W/W	CAPACITY RANGE W	EFFICIENCY RANGE W/W										EXTERNAL VIEW REFERENCE	WIRING DIAGRAM REFERENCE	INPUT VOLTAGE FREQUENCY	MODEL	OUTPUT POWER W		CONTROL MODE
VESD3C	3,0	220-240V 50/60Hz 1 ~	BPM	LST	LBP	8-44	1,18-1,27	6-26	0,96-1,05	1300-4500	6	135	2,1	S	-	200	AB 5	C	DWG22	CON04-05-06	220-240V 50/60Hz	VES	200	Drop-in, Serial, Frequency	VESD3C
VESA5C	5,2	220-240V 50/60Hz 1 ~	BPM	LST	L/MBP	33-117	1,69-1,65	24-86	1,33-1,28	1300-4500	6,1	135	2,1	S	-	200	AB 5	C	DWG22	CON04-05-06	220-240V 50/60Hz	VES	200	Drop-in, Frequency	VESA5C
VESD5C	5,2	220-240V 50/60Hz 1 ~	BPM	LST	L/MBP	34-126	1,77-1,73	25-93	1,37-1,35	1300-4500	6,5	135	2,1	S	-	190	AB 5	C	DWG22	CON04-05-06	220-240V 50/60Hz	VES	200	Drop-in, Serial, Frequency	VESD5C
VESA7C	7,2	220-240V 50/60Hz 1 ~	BPM	LST	LBP	47-179	1,65-1,78	34-133	1,29-1,39	1300-4500	6	135	2,1	S	-	200	AB 5	C	DWG22	CON04-05-06	220-240V 50/60Hz	VES	200	Drop-in, Frequency	VESA7C
VESD7C	7,2	220-240V 50/60Hz 1 ~	BPM	LST	LBP	49-184	1,82-1,86	36-138	1,42-1,47	1300-4500	6,8	135	2,1	S	-	190	AB 5	C	DWG22	CON04-05-06	220-240V 50/60Hz	VES	200	Drop-in, Serial, Frequency	VESD7C
VESA9C	9,0	220-240V 50/60Hz 1 ~	BPM	LST	LBP	66-223	1,73-1,71	49-168	1,38-1,35	1300-4500	6	135	2,1	S	-	200	AB 5	C	DWG22	CON04-05-06	220-240V 50/60Hz	VES	200	Drop-in, Frequency	VESA9C
VESC9C	9,0	220-240V 50/60Hz 1 ~	BPM	LST	LBP	66-230	1,80-1,76	49-174	1,41-1,39	1300-4500	6,5	135	2,1	S	-	190	AB 5	C	DWG22	CON04-05-06	220-240V 50/60Hz	VES	200	Drop-in, Serial, Frequency	VESC9C
VESD9C	9,0	220-240V 50/60Hz 1 ~	BPM	LST	LBP	66-230	1,86-1,79	49-174	1,46-1,41	1300-4500	6,8	135	2,1	S	-	190	AB 5	C	DWG22	CON04-05-06	220-240V 50/60Hz	VES	200	Drop-in, Serial, Frequency	VESD9C
VESC11C	11,1	220-240V 50/60Hz 1 ~	BPM	LST	LBP	86-276	1,89-1,76	64-209	1,49-1,38	1300-4500	6,5	135	2,1	S	-	190	AB 5	C	DWG22	CON04-05-06	220-240V 50/60Hz	VES	200	Drop-in, Serial, Frequency	VESC11C
VESD11C	11,1	220-240V 50/60Hz 1 ~	BPM	LST	LBP	86-276	1,93-1,78	64-209	1,52-1,41	1300-4500	6,8	135	2,1	S	-	190	AB 5	C	DWG22	CON04-05-06	220-240V 50/60Hz	VES	200	Drop-in, Serial, Frequency	VESD11C

R508B/R170 • ULBP • 50 Hz - EU portfolio

MODEL	DISPL. cm ³	HP	VOLTAGE FREQUENCY	MOTOR TYPE	TORQUE	APPLICATION	REFRIGERANT	RATED POINT - EN12900 -85 °C / -30 °C		CONDENSING TEMP. °C	EVAPORATING TEMPERATURE °C			WEIGHT kg	MAX HEIGHT A mm	LRA A	COOLING TYPE	FAN AIR FLOW m ³ /h	OIL		EXP DEVICE	DRAWINGS		MODEL
								CAPACITY W	EFFICIENCY W/W		-95	-85	-75						CHARGE cm ³	TYPE		EXTERNAL VIEW REFERENCE	WIRING DIAGRAM REFERENCE	
NT2178ULT	17.4	1	220-240V 50Hz 1 ~	CSR	HST	ULBP	R508B	429	1.27	-30	180	422	919	17.8	220	21.5	F	520	450	POE 22	C/V	DWG16	SM26	NT2178ULT
							R170	399	1.21		204	401	813											
NT2192ULT	22.4	1	220-240V 50Hz 1 ~	CSR	HST	ULBP	R508B	545	1.30	-30	236	561	1097	17.8	234	29	F	520	450	POE 22	C/V	DWG16	SM26	NT2192ULT
							R170	516	1.24		216	501	926											
NT2212ULT	27.8	1 1/2	220-240V 50Hz 1 ~	CSR	HST	ULBP	R508B	702	1.32	-30	318	665	1220	17.8	234	27	F	520	450	POE 22	C/V	DWG16	SM26	NT2212ULT
							R170	663	1.29		311	670	1230											

R508B/R170 • ULBP • 60 Hz - EU portfolio

MODEL	DISPL. cm ³	HP	VOLTAGE FREQUENCY	MOTOR TYPE	TORQUE	APPLICATION	REFRIGERANT	RATED POINT - EN12900 -85 °C / -30 °C		CONDENSING TEMP. °C	EVAPORATING TEMPERATURE °C			WEIGHT kg	MAX HEIGHT A mm	LRA A	COOLING TYPE	FAN AIR FLOW m ³ /h	OIL		EXP DEVICE	DRAWINGS		MODEL
								CAPACITY W	EFFICIENCY W/W		-95	-85	-75						CHARGE cm ³	TYPE		EXTERNAL VIEW REFERENCE	WIRING DIAGRAM REFERENCE	
NT2178ULT	17.4	1	115V 60Hz 1 ~	CSR	HST	ULBP	R508B	516	1.26	-30	232	528	1015	17.8	220	54	F	520	450	POE 22	C/V	DWG16	SM26	NT2178ULT
							R170	471	1.21		230	464	814											
NT2178ULT	17.4	1	208-230V 60Hz 1 ~	CSR	HST	ULBP	R508B	534	1.27	-30	223	544	1037	16.9	220	28	F	520	450	POE 22	C/V	DWG16	SM26	NT2178ULT
							R170	464	1.18		161	471	930											
NT2192ULT	22.4	1	208-230V 60Hz 1 ~	CSR	HST	ULBP	R508B	676	1.27	-30	339	676	1232	17.8	234	35	F	520	450	POE 22	C/V	DWG16	SM26	NT2192ULT
							R170	594	1.21		290	587	1048											

Note: Return gas temperature in EN12900 conditions for EM and NE series is 32°C for NT and NJ series is 20°C

R134a • LBP - L/MBP • 50Hz - EU portfolio

MODEL	DISPL. cm ³	HP	VOLTAGE/FREQUENCY	MOTOR TYPE	TORQUE	APPLICATION	RATED POINT - ASHRAE -23,3 °C / 54,4 °C		RATED POINT - EN12900 -35°C / 40 °C		CONDENSING TEMPERATURE °C	COOLING CAPACITY EN12900						WEIGHT kg	MAX HEIGHT A mm	LRA A	COOLING TYPE	FAN AIR FLOW m ³ /h	OIL		EXP DEVICE	DRAWINGS		MODEL
							CAPACITY W	EFFICIENCY W/W	CAPACITY W	EFFICIENCY W/W		EVAPORATING TEMPERATURE °C											CHARGE cm ³	TYPE		EXTERNAL VIEW REFERENCE	WIRING DIAGRAM REFERENCE	
												-30	-25	-20	-15	-10	-5											
EMY3109Z	4,0	1/10	220-240V 50Hz 1 ~	RSIR	LST	L/MBP	105	1,37	-	-	55	-	-	-	-	-	7,3	166	4,0	S	-	150	POE 10	C	DWG01	SM00	EMY3109Z	
											45	-	-	-	-	-												
EMY3111Z	4,5	1/8	220-240V 50Hz 1 ~	RSIR	LST	L/MBP	129	1,41	62	1,01	55	81	113	153	202	260	325	7,7	171	5,0	S	-	150	POE 10	C	DWG01	SM00	EMY3111Z
											45	90	123	165	216	275	343											
EMY3115Z	6,1	1/6	220-240V 50Hz 1 ~	RSIR/RSCR	LST	L/MBP	163 / 171	1,39 / 1,51	-	-	55	-	-	-	-	-	7,6	171	-	S	-	150	POE 10	C	DWG01	SM00-SM01	EMY3115Z	
											45	-	-	-	-	-												
NEK1116Z	7,4	1/5	220-240V 50Hz 1 ~	RSIR/RSCR	LST	LBP	194	1,44	93	1,12	55	-	141	262	245	312	390	10,8	200	5,3	S	-	350	POE 22	C	DWG02	SM00-SM01	NEK1116Z
											45	126	172	225	291	367	460											
NEK2116Z	7,4	1/5	220-240V 50Hz 1 ~	CSIR	HST	LBP	187	1,22	93	0,89	55	-	136	184	241	305	378	10,4	187	10,0	S	-	350	POE 22	C/V	DWG03	SM05	NEK2116Z
											45	121	166	221	284	357	436											
NEK1118Z	8,4	1/4	220-240V 50Hz 1 ~	RSIR/RSCR	LST	LBP	224	1,43	111	1,08	55	-	163	217	283	357	446	10,7	200	6,9	S	-	350	POE 22	C	DWG02	SM00-SM01	NEK1118Z
											45	144	195	256	328	417	519											
NE1121Z	9,3	1/4	220-240V 50Hz 1 ~	RSIR	LST	LBP	253	1,28	125	0,89	55	-	186	246	319	403	500	10,9	200	16,5	F	520	350	POE 22	C	DWG03	SM03	NE1121Z
											45	166	220	288	370	464	572											
NE1121Z	9,3	1/4	200-220V 50Hz / 230V 60Hz 1 ~	RSIR	LST	LBP	253	1,28	126	0,93	55	-	217	288	373	472	584	10,9	200	18,0	F	520	350	POE 22	C	DWG03	SM03	NE1121Z
											45	193	258	337	433	544	669											
NE2121Z	9,3	1/4	220-240V 50Hz 1 ~	CSIR	HST	LBP	250	1,23	124	0,86	55	-	183	245	317	403	500	10,9	200	12,6	F	520	350	POE 22	C/V	DWG03	SM05-SM29	NE2121Z
											45	163	217	285	368	465	575											
NE2121Z	9,3	1/4	200-220V 50Hz / 230V 60Hz 1 ~	CSIR	HST	LBP	253	1,28	126	0,90	55	-	186	246	319	403	500	11,6	206	15,0	F	520	350	POE 22	C/V	DWG03	SM05-SM29	NE2121Z
											45	166	220	288	370	464	572											
EMY3125Z*	10,6		220-240V 50Hz 1 ~	RSIR	LST	L/MBP	UD	UD	UD	UD	55	-	-	-	-	-	UD	UD	UD	F	270	150	POE 10	C	DWG01	SM00	EMY3125Z*	
											45	-	-	-	-	-												
NE1130Z	12,1	1/3	220-240V 50Hz 1 ~	RSIR	LST	LBP	323	1,32	161	0,85	55	-	238	313	402	506	624	10,9	200	16,3	F	520	350	POE 22	C	DWG03	SM03	NE1130Z
											45	211	281	366	466	583	715											
NE1130Z	12,1	1/3	200-220V 50Hz / 230V 60Hz 1 ~	RSIR	LST	LBP	323	1,24	161	0,86	55	-	238	313	402	506	624	10,9	200	22,0	F	520	350	POE 22	C	DWG03	SM03	NE1130Z
											45	211	281	366	466	583	715											
NE2130Z	12,1	1/3	220-240V 50Hz 1 ~	CSIR	HST	LBP	343	1,32	171	0,85	55	-	255	332	426	536	660	10,9	200	13,2	F	520	350	POE 22	C/V	DWG03	SM05-SM29	NE2130Z
											45	227	298	386	491	613	753											
NE2130Z	12,1	1/3	100V 50/60Hz 1 ~	CSIR	HST	LBP	323	1,20	161	1,16	55	-	230	305	391	490	601	10,9	200	39,0	F	520	350	POE 22	C/V	DWG03	SM05	NE2130Z
											45	204	268	348	444	555	684											
NEU4130Z	12,1	1/3	220-240V 50Hz 1 ~	CSIR	HST	L/MBP	346	1,31	172	0,96	55	-	-	-	-	-	10,0	187	13,0	F	520	350	POE 22	C/V	DWG03	SM05	NEU4130Z	
											45	-	-	-	-	-												
NE2134Z	14,3	1/3	220-240V 50Hz 1 ~	CSIR	HST	LBP	359	1,23	179	0,90	55	-	267	351	453	571	711	11,6	206	17,0	F	520	350	POE 22	C/V	DWG03	SM05	NE2134Z
											45	234	313	410	526	662	822											
NEK2140Z	16,8	1/2	220-240V 50Hz 1 ~	CSIR	HST	LBP	429	1,31	217	1,02	55	-	319	421	543	686	820	11,6	206	17	F	520	350	POE 22	C/V	DWG03	SM05	NEK2140Z
											45	274	372	493	635	799	991											

* MODEL UNDER DEVELOPMENT

Note: Return gas temperature in EN12900 conditions for EM and NE series is 32°C for NT and NJ series is 20°C

R134a • LBP - L/MBP - L/M/HBP • 50Hz - BR portfolio

MODEL	DISPL. cm ³	HP	VOLTAGE/FREQUENCY	MOTOR TYPE	TORQUE	APPLICATION	RATED POINT - ASHRAE -23,3 °C / 54,4 °C		CONDENSING TEMPERATURE °C	COOLING CAPACITY ASHRAE LBP								WEIGHT kg	MAX HEIGHT A mm	LRA A	COOLING TYPE	FAN AIR FLOW m ³ /h	OIL		EXP DEVICE	DRAWINGS		MODEL
							CAPACITY W	EFFICIENCY W/W		EVAPORATING TEMPERATURE °C													CHARGE cm ³	TYPE		EXTERNAL VIEW REFERENCE	WIRING DIAGRAM REFERENCE	
										-35	-30	-25	-20	-15	-10	-5	0											
EM20HHR	2,27	1/12	220-240V 50/60Hz 1 ~	RSIR/CSIR	LST	L/M/HBP	50	0,86	55	17	28	42	59	80	105	135	170	6,8	158	6,5	S/F	520	160	POE 22	C	DWG10	SM07	EM20HHR
EMIE30HER	2,83	1/10	220-240V 50/60Hz 1 ~	RSIR/CSIR	LST	L/MBP	73	1,16	55	26	44	65	90	120	155	196	-	7,2	158	7	S/F	520	180	POE 10	C	DWG10	SM07	EMIE30HER
EMIS30HHR	3,00	1/10	220V 50/60Hz 1 ~	RSIR/CSIR	LST	L/M/HBP	79	0,93	55	27	46	69	95	126	163	207	260	6,8	158	9	S/F	520	160	POE 22	C	DWG10	SM07	EMIS30HHR
EMIE40HJP	3,40	1/8	220V 50/60Hz 1 ~	RSIR	LST	LBP	95	1,15	55	40	65	97	132	166	196	-	-	6,6	158	4,2	S	-	180	POE 10	C	DWG10	SM07	EMIE40HJP
EMI45HER	3,77	1/8	220-240V 50/60Hz 1 ~	RSIR/CSIR	LST	LBP	100	1,21	55	43	66	92	123	161	208	-	-	7,7	167	10	S	-	160	POE 22	C	DWG10	SM07	EMI45HER
EM45HHR	3,77	1/8	220-240V 50Hz 1 ~	RSIR/CSIR	LST	L/M/HBP	102	1,03	55	43	62	86	117	155	201	256	321	7,7	171	9	S/F	520	160	POE 22	C	DWG10	SM07	EM45HHR
EM50HNP	4,99	1/8	220-240V 50Hz 1 ~	RSIR/RSCR	LST	LBP	126	1,22	55	45	75	109	149	197	256	-	-	7,7	167	10	S	-	160	POE 22	C	DWG10	SM07	EM50HNP
EMIE65HER	5,19	1/6	220-240V 50/60Hz 1 ~	RSIR/CSIR	LST	LBP	149	1,22	55	71	100	136	179	231	290	-	-	8,3	166	12,5	S/F	520	180	POE 10	C	DWG10	SM07	EMIE65HER
EGAS70HLR	5,56	1/5+	220-240V 50/60Hz 1 ~	RSIR/CSIR	LST	LBP	164	1,47	55	68	102	147	202	265	337	-	-	10,4	195	14,4	S	-	230	POE 10	C	DWG09	SM09	EGAS70HLR
EMI70HER	5,89	1/5	220V 50Hz 1 ~	RSIR/CSIR	LST	LBP	166	1,18	55	71	100	136	179	231	290	-	-	8,3	166	12,5	S	-	180	POE 22	C	DWG10	SM07	EMI70HER
EMU65HLP	5,96	1/4	200-230V 50Hz 1 ~	RSIR	LST	LBP	185	1,45	55	92	127	169	219	278	345	-	-	7,9	166	7,5	S	-	180	POE 22	C	DWG10	SM07	EMU65HLP
EMYE70HEP	5,96	1/5	220-240V 50/60Hz 1 ~	RSIR	LST	LBP	168	1,43	55	92	127	169	219	278	345	-	-	7,9	166	7,5	S	-	180	POE 10	C	DWG10	SM07	EMYE70HEP
EGAS80HLR	6,36	1/4+	220-240V 50/60Hz 1 ~	RSIR/CSIR	LST	LBP	195	1,52	55	80	125	173	228	293	372	-	-	10	195	14,5	S/F	520	230	POE 10	C	DWG09	SM09	EGAS80HLR
FFU70HAK	6,36	1/4	220-240V 50/60Hz 1 ~	RSIR/CSIR	LST	L/MBP	185	1,43	55	80	119	166	224	293	375	471	-	10,7	201	12,8	S/F	520	280	POE 10	C	DWG09	SM08	FFU70HAK
FFUS70HAK	6,36	1/4	220-240V 50/60Hz 1 ~	RSIR/CSIR	LST	L/MBP	191	1,42	55	77	124	170	222	285	363	462	587	10,2	201	14,5	S/F	520	230	POE 10	C	DWG09	SM08	FFUS70HAK
FFUS80HAK	6,76	1/4+	220-240V 50/60Hz 1 ~	RSIR/CSIR	LST	L/MBP	201	1,37	55	95	133	183	244	319	407	509	626	10	201	14,5	S/F	520	230	POE 10	C	DWG09	SM08	FFUS80HAK
FF7,5HBK	6,92	1/5+	220-240V 50/60Hz 1 ~	RSIR/CSIR	LST	L/M/HBP	154	1,00	55	71	106	149	202	263	341	431	537	10,7	195	16,7	S	-	280	POE 22	C	DWG09	SM08	FF7,5HBK
EGAS90HLR	7,15	1/3-	220-240V 50/60Hz 1 ~	RSIR/CSIR	LST	LBP	219	1,50	55	97	144	198	261	336	426	-	-	10,5	195	14,3	S	-	230	POE 10	C	DWG09	SM09	EGAS90HLR
EGAS100HLP	7,95	1/3	220-240V 50Hz 1 ~	RSIR/RSCR	LST	LBP	241	1,58	55	108	157	222	304	402	514	-	-	11	201	8,5	S	-	230	POE 10	C	DWG09	SM09	EGAS100HLP
EGAS100HLR	7,95	1/3	220-240V 50/60Hz 1 ~	RSIR/CSIR	LST	LBP	251	1,52	55	108	164	226	299	384	485	-	-	11	201	16,9	F	520	230	POE 10	C	DWG09	SM09	EGAS100HLR
FFUS100HAK	7,95	1/3	220-240V 50/60Hz 1 ~	RSIR/CSIR	LST	L/MBP	248	1,43	55	123	167	226	302	393	500	623	763	10,6	201	17,6	S/F	520	350	POE 10	C	DWG09	SM08	FFUS100HAK
FF8,5HBK	7,95	1/4	220-240V 50Hz 1 ~	RSIR/CSIR	LST	L/M/HBP	194	1,11	55	82	119	168	230	306	398	506	632	10,8	195	18,2	S/F	520	280	POE 22	C	DWG09	SM08	FF8,5HBK
FF110HAK	9,04	1/3	220-230V 50/60Hz 1 ~	RSIR/CSIR	LST	L/MBP	249	1,30	55	106	154	220	302	400	512	636	-	10,9	201	18	S/F	520	280	POE 22	C	DWG09	SM08	FF110HAK
EGU130HLR	10,61	1/3+	220-240V 50Hz 1 ~	RSIR/CSIR	LST	LBP	313	1,50	55	141	211	288	378	489	626	-	-	10,8	201	17,5	F	520	230	POE 10	C	DWG09	SM09	EGU130HLR
FFU130HAX	10,61	1/3+	220-240V 50Hz 1 ~	CSIR	LST/HST	L/MBP	309	1,38	55	132	203	280	370	477	607	764	-	11,3	201	17,5	F	520	280	POE 10	C/V	DWG09	SM08	FFU130HAX
FF12HBK	11,14	1/3+	220-240V 50Hz 1 ~	RSIR/CSIR	LST	L/M/HBP	319	1,25	55	152	210	287	382	498	633	790	968	11,5	201	20	F	520	280	POE 22	C	DWG09	SM08	FF12HBK
FFU160HAX	12,92	1/2	220-240V 50Hz 1 ~	CSIR	LST/HST	L/MBP	374	1,42	55	188	268	356	460	584	736	918	1139	10,8	201	17,7	F	520	280	POE 22	C/V	DWG09	SM08	FFU160HAX

R134a • HBP • 50Hz - EU portfolio

MODEL	DISPL. cm³	HP	VOLTAGE/FREQUENCY	MOTOR TYPE	TORQUE	APPLICATION	RATED POINT - ASHRAE 7.2 °C / 54.4 °C		RATED POINT - EN12900 5 °C / 50 °C		CONDENSING TEMPERATURE °C	COOLING CAPACITY EN12900						WEIGHT kg	MAX HEIGHT A mm	LRA A	COOLING TYPE	FAN AIR FLOW m³/h	OIL		EXP DEVICE	DRAWINGS		MODEL
							CAPACITY W	EFFICIENCY W/W	CAPACITY W	EFFICIENCY W/W		EVAPORATING TEMPERATURE °C											CHARGE cm³	TYPE		EXTERNAL VIEW REFERENCE	WIRING DIAGRAM REFERENCE	
												-15	-10	-5	0	5	10											
EMT37HDP	3.4	1/8	220-240V 50Hz 1 ~	RSIR	LST	HBP	351	2.55	321	2.46	55	-	153	194	241	294	355	7.2	158	4.3	S	-	180	POE 22	C	DWG01	SM00	EMT37HDP
EMT45HDR	4.0	1/8	220-240V 50Hz 1 ~	CSIR	HST	HBP	421	2.66	379	2.58	45	142	181	228	245	343	412	7.7	166	5.4	S	-	180	POE 10	C/V	DWG01	SM05	EMT45HDR
EMT50HDP	4.5	1/6	220-240V 50Hz 1 ~	RSIR	LST	HBP	475	2.58	423	2.47	55	-	203	256	318	388	472	7.7	166	5.4	S	-	180	POE 22	C	DWG01	SM00	EMT50HDP
EMT6144Z	5.2	1/5	220-240V 50Hz 1 ~	CSIR	HST	HBP	577	2.6	519	2.53	55	191	242	303	374	456	549	7.8	166	8.5	F	270	180	POE 22	C/V	DWG01	SM05	EMT6144Z
EMT6160Z	6.8	1/4	220-240V 50Hz 1 ~	CSIR	HST	HBP	720	2.4	648	2.34	55	-	232	294	367	456	549	7.8	166	9.8	F	520	180	POE 22	C/V	DWG01	SM05	EMT6160Z
NEK6160Z	7.3	1/4	220-240V 50Hz 1 ~	CSIR	HST	HBP	716	2.41	663	2.41	55	298	377	469	504	696	830	10.4	187	11.5	F	520	350	POE 22	C/V	DWG03	SM05	NEK6160Z
NEK6160Z	7.3	1/4	200-230V 50Hz / 208-230V 60Hz 1 ~	CSIR	HST	HBP	717	2.41	663	2.41	55	-	290	371	470	586	724	10.4	187	13.5	F	520	350	POE 22	C/V	DWG03	SM05	NEK6160Z
EMT6170Z	7.7	1/4	220-240V 50Hz 1 ~	CSIR	HST	HBP	806	2.26	725	2.18	55	277	350	442	478	684	833	7.8	166	10.4	F	520	180	POE 22	C/V	DWG01	SM05	EMT6170Z
EMY6170Z	8.0	1/4	220-240V 50Hz 1 ~	CSIR	HST	HBP	835	2.56	712	2.39	55	-	358	448	550	663	789	7.7	171	10.5	F	520	145	POE 10	C/V	DWG01	SM05	EMY6170Y
NEK6170Z	8.4	1/4	220-240V 50Hz 1 ~	CSIR	HST	HBP	882	2.35	775	2.45	55	330	418	522	559	771	915	10.2	200	14	F	520	350	POE 22	C/V	DWG03	SM05	NEK6170Z
NEK6170Z	8.4	1/4	200-230V 50Hz / 208-230V 60Hz 1 ~	CSIR	HST	HBP	841	2.44	775	2.46	55	-	360	453	562	689	833	10.8	200	18	F	520	350	POE 22	C/V	DWG03	SM05	NEK6170Z
NEK6170Z	8.4	1/4	100V 50/60Hz 1 ~	CSIR	HST	HBP	823	2.18	762	2.16	55	335	420	526	573	802	971	10.4	187	31	F	520	350	POE 22	C/V	DWG03	SM05	NEK6170Z
NEK6187Z	10.0	1/3	220-240V 50Hz 1 ~	CSIR	HST	HBP	1019	2.29	896	2.38	55	337	367	445	505	742	958	11	200	15	F	520	350	POE 22	C/V	DWG03	SM05	NEK6187Z
NEK6187Z	10.0	1/3	200-230V 50Hz / 208-230V 60Hz 1 ~	CSIR	HST	HBP	965	2.39	894	2.4	55	-	402	511	642	793	965	11.6	206	18	F	520	350	POE 22	C/V	DWG03	SM05	NEK6187Z
NEU6187Z	10.0	1/3	200-230V 50Hz / 208-230V 60Hz 1 ~	CSIR	HST	HBP	1014	2.44	-	-	55	378	477	600	654	918	1113	10.5	200	16	F	520	350	POE 22	C/V	DWG03	SM05	NEU6187Z
NEU6187Z	10.0	1/3	200-240V 50Hz / 230V 60Hz 1 ~	CSIR	HST	HBP	1018	2.44	917	2.4	55	-	442	560	697	855	1033	10.5	187	13	F	520	350	POE 22	C/V	DWG03	SM05	NEU6187Z
NEK6210Z	12.1	1/3	200-230V 50Hz / 208-230V 60Hz 1 ~	CSIR	HST	HBP	1105	2.13	1024	2.16	55	408	517	650	806	987	1190	11.6	206	24	F	520	350	POE 22	C/V	DWG03	SM05	NEK6210Z
NEK6210Z	12.1	1/3	220-240V 50Hz 1 ~	CSIR	HST	HBP	1129	2.27	1046	2.29	55	469	523	637	711	1031	1314	11	200	20	F	520	350	POE 22	C/V	DWG03	SM05	NEK6210Z
NEU6210Z	12.1	1/2	220-240V 50Hz 1 ~	CSIR	HST	HBP	1231	2.37	1102	2.33	55	-	480	619	773	942	1127	10.6	200	18.5	F	520	350	POE 22	C/V	DWG03	SM05	NEU6210Z
NEU6210Z	12.1	1/2	220-240V 50Hz 1 ~	CSR	HST	HBP	1247	2.58	1109	2.48	55	489	615	770	955	1170	1414	10.6	200	18.5	F	520	350	POE 22	C/V	DWG03	SM06	NEU6210Z
NEU6210Z	12.1	1/2	200-230V 50Hz / 208-230V 60Hz 1 ~	CSIR	HST	HBP	1222	2.38	1136	2.33	55	483	618	780	969	1186	1431	11	200	21	F	520	350	POE 22	C/V	DWG03	SM05	NEU6210Z
NEU6210Z	12.1	1/2	200-230V 50Hz / 208-230V 60Hz 1 ~	CSR	HST	HBP	1234	2.57	1148	2.52	55	-	565	712	882	1076	1291	11	200	21	F	520	350	POE 22	C/V	DWG03	SM06	NEU6210Z
NEK6212Z	14.3	1/2	200-230V 50Hz / 208-230V 60Hz 1 ~	CSR	HST	HBP	1302	2.12	1206	2.14	55	521	662	830	898	1249	1498	11.6	206	21	F	520	350	POE 22	C/V	DWG03	SM06	NEK6212Z
NEK6212Z	14.3	1/2	220-240V 50Hz 1 ~	CSIR	HST	HBP	1314	2.09	1217	2.12	55	-	662	808	881	1081	1308	11.2	206	22.5	F	520	350	POE 22	C/V	DWG03	SM05	NEK6212Z
NEU6212Z	14.3	1/2	220-240V 50Hz 1 ~	CSIR	HST	HBP	1420	2.26	1271	2.22	55	534	665	728	897	1248	1504	11.2	200	20	F	520	350	POE 22	C/V	DWG03	SM05	NEU6212Z
NEU6212Z	14.3	1/2	220-240V 50Hz 1 ~	CSR	HST	HBP	1456	2.52	1288	2.41	55	-	595	767	965	1188	1437	11.2	200	20	F	520	350	POE 22	C/V	DWG03	SM05	NEU6212Z
NEU6212Z	14.3	1/2	200-230V 50Hz / 208-230V 60Hz 1 ~	CSIR	HST	HBP	1444	2.36	1343	2.31	55	556	706	892	1111	1365	1653	11.2	200	20	F	520	350	POE 22	C/V	DWG03	SM06	NEU6212Z
NEU6212Z	14.3	1/2	200-230V 50Hz / 208-230V 60Hz 1 ~	CSR	HST	HBP	1467	2.58	1364	2.53	55	-	640	814	1008	1215	1473	11.6	206	26	F	520	350	POE 22	C/V	DWG03	SM05	NEU6212Z
NEK6214Z	16.8	1/2	220-240V 50Hz 1 ~	CSIR	HST	HBP	1477	1.97	1315	1.9	55	593	752	945	1026	1412	1701	11.6	206	25.5	F	520	350	POE 22	C/V	DWG03	SM05	NEK6214Z
NEU6214Z	16.8	1/2	220-240V 50Hz 1 ~	CSIR	HST	HBP	1636	2.14	1459	2.12	55	-	724	909	1124	1367	1640	11.6	206	22	F	520	350	POE 22	C/V	DWG03	SM05	NEU6214Z
NEU6214Z	16.8	1/2	220-240V 50Hz 1 ~	CSR	HST	HBP	1678	2.45	1492	2.35	55	657	836	1047	1292	1569	1880	11.6	206	22	F	520	350	POE 22	C/V	DWG03	SM06	NEU6214Z
NEU6214Z	16.8	1/2	200-230V 50Hz / 208-230V 60Hz 1 ~	CSR	HST	HBP	1668	2.44	1485	1.92	55	663	844	1063	1320	1615	1946	11.6	206	25	F	520	350	POE 22	C/V	DWG03	SM06	NEU6214Z
NT6215Z	17.4	1/2	200-240V 50Hz / 230V 60Hz 1 ~	CSIR	HST	HBP	1607	2.52	1405	2.38	55	-	661	829	1033	1282	1582	17	220	21	F	520	450	POE 22	C/V	DWG15-DWG16	SM19	NT6215Z
NT6215Z	17.4	1/2	220V 50Hz 1 ~	CSIR	HST	HBP	1620	2.29	1435	2.25	55	627	796	998	1241	1533	1883	17	207	21	F	520	450	POE 22	C/V	DWG15	SM19	NT6215Z
NT6217Z	20.4	3/4	220-240V 50Hz 1 ~	CSIR	HST	HBP	1863	2.31	1655	2.2	55	-	646	843	1071	1326	1606	17	220	25	F	520	450	POE 22	C/V	DWG15-DWG16	SM19	NT6217Z
NT6217Z	20.4	3/4	220-240V 50Hz 1 ~	CSR	HST	HBP	1943	2.67	1695	2.42	55	621	796	1014	1090	1567	1894	17	220	25	F	520	450	POE 22	C/V	DWG15-DWG16	SM23	NT6217Z
NT6217Z	20.4	3/4	200-240V 50Hz / 230V 60Hz 1 ~	CSIR	HST	HBP	1863	2.41	1619	2.2	55	754	938	1173	1256	1795	2185	17	220	25	F	520	450	POE 22	C/V	DWG15-DWG16	SM19	NT6217Z
NT6217Z	20.4	3/4	200-240V 50Hz / 230V 60Hz 1 ~	CSR	HST	HBP	1943	2.67	1680	2.4	55	-	799	1010	1271	1582	1945	17	220	25	F	520	450	POE 22	C/V	DWG15-DWG16	SM23	NT6217Z
NT6220Z	22.4	3/4	200-240V 50Hz / 230V 60Hz 1 ~	CSIR	HST	HBP	2016	2.34	1744	2.13	55	712	912	1148	1428	1757	2143	17.2	220	29.5	F	520	450	POE 22	C/V	DWG15-DWG16	SM19	NT6220Z
NT6220Z	22.4	3/4	200-240V 50Hz / 230V 60Hz 1 ~	CSR	HST	HBP	2016	2.55	1752	2.34	55	-	772	980	1232	1532	1890	17.2	220	28	F	520	450	POE 22	C/V	DWG15-DWG16	SM23	NT6220Z
NTU6222ZV	23.7	3/4	220-240V 50Hz 1 ~	CSR	HST	HBP	2424	3.09	2117	2.89	55	712	921	1171	1471	1827	2250	18.3	250	30	F							

R134a • L/M/HBP - M/HBP - HBP • 50Hz - BR portfolio

MODEL	DISPL. cm ³	HP	VOLTAGE/FREQUENCY	MOTOR TYPE	TORQUE	APPLICATION	RATED POINT - ASHRAE 7,2 °C / 54,4 °C		CONDENSING TEMPERATURE °C	COOLING CAPACITY ASHRAE HBP32					WEIGHT kg	MAX HEIGHT A mm	LRA A	COOLING TYPE	FAN AIR FLOW m ³ /h	OIL		EXP DEVICE	DRAWINGS		MODEL
							CAPACITY W	EFFICIENCY W/W		Evaporating Temperature °C W										CHARGE cm ³	TYPE		EXTERNAL VIEW REFERENCE	WIRING DIAGRAM REFERENCE	
										-5	0	5	10	15											
EM20HHR	2,27	1/12	220-240V 50/60Hz 1 ~	RSIR/CSIR	LST	L/M/HBP	246	2,51	55	135	170	212	260	315	6,8	158	6,5	S/F	520	160	POE 22	C	DWG10	SM07	EM20HHR
EMIS30HHR	3,00	1/10	220V 50/60Hz 1 ~	RSIR/CSIR	LST	L/M/HBP	363	2,60	55	217	271	332	401	478	6,8	158	9	S/F	520	160	POE 22	C	DWG10	SM07	EMIS30HHR
EM45HHR	3,77	1/8	220-240V 50Hz 1 ~	RSIR/CSIR	LST	L/M/HBP	440	2,63	55	256	321	397	486	587	7,7	171	9	S/F	520	160	POE 22	C	DWG10	SM07	EM45HHR
EM55HHR	4,60	1/6	220-240V 50/60Hz 1 ~	RSIR	LST	HBP	533	2,69	55	327	401	487	585	696	7,6	171	10	F	520	160	POE 22	C	DWG10	SM07	EM55HHR
EM65HHR	5,54	1/6+	220V 50/60Hz 1 ~	RSIR/CSIR	LST	M/HBP	645	2,45	55	389	486	594	713	844	7,2	171	14,3	F	520	160	POE 22	C	DWG10	SM07	EM65HHR
FF7,5HBK	6,92	1/5+	220-240V 50/60Hz 1 ~	RSIR/CSIR	LST	L/M/HBP	810	2,76	55	431	537	659	801	962	10,7	195	16,7	S	-	280	POE 22	C	DWG09	SM08	FF7,5HBK
FF8,5HBK	7,95	1/4	220-240V 50Hz 1 ~	RSIR/CSIR	LST	L/M/HBP	844	2,49	55	506	632	776	940	1124	10,8	195	18,2	S/F	520	280	POE 22	C	DWG09	SM08	FF8,5HBK
FF12HBK	11,14	1/3+	220-240V 50Hz 1 ~	RSIR/CSIR	LST	L/M/HBP	1316	2,61	55	790	968	1167	1390	1635	11,5	201	20	F	520	280	POE 22	C	DWG09	SM08	FF12HBK

R134a • LBP • 60Hz - EU portfolio

MODEL	DISPL. cm ³	HP	VOLTAGE/FREQUENCY	MOTOR TYPE	TORQUE	APPLICATION	RATED POINT - ASHRAE -23.3 °C / 54.4 °C		RATED POINT - AR1540 -23.3 °C / 48.9 °C		CONDENSING TEMPERATURE °C	COOLING CAPACITY AR1540						WEIGHT kg	MAX HEIGHT A mm	LRA A	COOLING TYPE	FAN AIR FLOW m ³ /h	OIL		EXP DEVICE	DRAWINGS		MODEL
							CAPACITY W	EFFICIENCY W/W	CAPACITY W	EFFICIENCY W/W		EVAPORATING TEMPERATURE °C W											CHARGE cm ³	TYPE		EXTERNAL VIEW REFERENCE	WIRING DIAGRAM REFERENCE	
												-30	-25	-20	-15	-10	-5											
NEK2116Z	7.4	1/5	115V 60Hz 1 ~	CSIR	HST	LBP	216	1.17	171	0.92	55	86	127	180	247	328	424	10	188	22	S	-	350	POE 22	C/V	DWG04	SM04	NEK2116Z
NE2121Z	9.3	1/4	115V 60Hz 1 ~	CSIR	HST	LBP	278	1.09	204	0.81	55	109	147	195	252	319	395	11	200	29	F	520	350	POE 22	C/V	DWG04	SM04	NE2121Z
NE2130Z	12.1	1/3	100V 50/60Hz 1 ~	CSIR	HST	LBP	367	1.19	269	1.16	55	166	227	300	383	479	586	11	200	39	F	520	350	POE 22	C/V	DWG04	SM04	NE2130Z
NE2130Z	12.1	1/3	115V 60Hz 1 ~	CSIR	HST	LBP	367	1.19	269	0.88	55	166	227	300	383	479	586	11	200	38	F	520	350	POE 22	C/V	DWG04	SM04	NE2130Z
NE2134Z	14.3	1/3	115V 60Hz 1 ~	CSIR	HST	LBP	425	1.23	312	0.91	55	191	257	334	424	533	660	11	200	33	F	520	350	POE 22	C/V	DWG04	SM04	NE2134Z
NEK2140Z	16.8	1/2	115V 60Hz 1 ~	CSIR	HST	LBP	500	1.19	390	0.94	55	236	314	417	546	698	876	11	206	40	F	520	350	POE 22	C/V	DWG04	SM04	NEK2140Z
NEU2140Z	16.8	1/2	115-127V 60Hz 1 ~	CSIR	HST	LBP	512	1.28	405	0.98	55	-	-	-	-	-	-	11.1	206	40	F	520	350	POE 22	C/V	DWG04	SM04	NEU2140Z
NEU2140Z	16.8	1/2	115-127V 60Hz 1 ~	CSR	HST	LBP	516	1.37	407	1.04	55	-	-	-	-	-	-	11.1	206	40	F	520	350	POE 22	C/V	DWG04	SM06	NEU2140Z
NT2152ZV	26.2	1/2	115V 60Hz 1 ~	CSR	HST	LBP	681	1.31	610	1.07	55	200	425	646	871	1104	1351	18.2	250	70	F	520	450	POE 22	C/V	DWG17	SM26	NT2152ZV

Note: Return gas temperature in EN12900 conditions for EM and NE series is 32°C for NT and NJ series is 20°C

R134a • LBP - L/MBP - L/M/HBP • 60Hz - BR portfolio

MODEL	DIS CM3	HP	VOLTAGE/FREQUENCY	MOTOR TYPE	TORQUE	APPLICATION	RATED POINT - ASHRAE -23,3 °C / 54,4 °C		CONDENSING TEMPERATURE °C	COOLING CAPACITY ASHRAE LBP								WEIGHT kg	MAX HEIGHT A mm	LRA A	COOLING TYPE	FAN AIR FLOW m³/h	OIL		EXP DEVICE	DRAWINGS		MODEL
							CAPACITY W	EFFICIENCY W/W		EVAPORATING TEMPERATURE °C													CHARGE cm³	TYPE		EXTERNAL VIEW REFERENCE	WIRING DIAGRAM REFERENCE	
										-35	-30	-25	-20	-15	-10	-5	0											
EM20HHR	2,27	1/12	220-240V 50/60Hz 1 ~	RSIR/CSIR	LST	L/M/HBP	59	0,89	55	16	34	53	74	98	127	161	202	6,8	158	6	S/F	520	160	POE 22	C	DGW10	SM07	EM20HHR
EMIS20HHR	2,27	1/12	220V 60Hz 1 ~	RSIR/CSIR	LST	L/M/HBP	59	0,81	55	19	33	52	75	103	137	178	226	6,8	158	9,1	S/F	520	160	POE 22	C	DGW10	SM07	EMIS20HHR
EMIS20HHR	2,27	1/12	115-127V 60Hz 1 ~	RSIR/CSIR	LST	L/M/HBP	59	0,88	55	16	30	48	70	97	129	168	215	6,8	158	11,6	S/F	520	160	POE 22	C	DGW10	SM07	EMIS20HHR
EMIE30HER	2,83	1/10	220-240V 50/60Hz 1 ~	RSIR/CSIR	LST	L/MBP	88	1,26	55	44	150	65	90	120	155	196	-	7,2	158	7	S	-	180	POE 10	C	DGW10	SM07	EMIE30HER
EMIS30HHR	3,00	1/10	220V 50/60Hz 1 ~	RSIR/CSIR	LST	L/M/HBP	100	1,14	55	35	59	85	117	154	199	251	314	6,8	158	8,8	S/F	520	160	POE 22	C	DGW10	SM07	EMIS30HHR
EMIS30HHR	3,00	1/10	115-127V 60Hz 1 ~	RSIR/CSIR	LST	L/M/HBP	100	1,10	55	35	57	84	115	153	198	251	313	6,8	158	16	S/F	520	160	POE 22	C	DGW10	SM07	EMIS30HHR
EMIE40HJP	3,40	1/8	220V 50/60Hz 1 ~	RSIR	LST	LBP	115	1,28	55	54	79	109	145	187	237	-	-	6,6	158	3,7	S	-	180	POE 10	C	DGW10	SM07	EMIE40HJP
EMI45HER	3,77	1/8	220-240V 50/60Hz 1 ~	RSIR/CSIR	LST	LBP	123	1,32	55	47	75	110	151	197	249	-	-	7,7	167	9,3	S	-	160	POE 22	C	DGW10	SM07	EMI45HER
EM45HHR	3,77	1/8	115-127V 60Hz 1 ~	RSIR/CSIR	LST	L/M/HBP	123	1,15	55	48	80	114	153	197	249	310	381	7,2	166	17	S/F	520	160	POE 22	C	DGW10	SM07	EM45HHR
EMIE65HER	5,19	1/6	220-240V 50/60Hz 1 ~	RSIR/CSIR	LST	LBP	185	1,33	55	124	124	168	220	282	356	-	-	8,3	166	11,5	S/F	520	180	POE 10	C	DGW10	SM07	EMIE65HER
EGAS70HLR	5,56	1/5+	220-240V 50/60Hz 1 ~	RSIR	LST	LBP	203	1,57	55	83	125	178	244	324	420	-	-	10	195	13,4	S	-	230	POE 10	C	DWG09	SM09	EGAS70HLR
EMI70HER	5,89	1/5	220V 60Hz 1 ~	RSIR/CSIR	LST	LBP	207	1,34	55	100	143	190	244	310	391	-	-	7,7	166	12,5	S	-	160	POE 22	C	DGW10	SM07	EMI70HER
EMYE70HEP	5,96	1/5	220-240V 50/60Hz 1 ~	RSIR	LST	LBP	201	1,53	55	100	141	184	234	295	373	-	-	7,8	166	6,5	S	-	180	POE 10	C	DGW10	SM07	EMYE70HEP
EGAS80HLR	6,36	1/4+	220-240V 50/60Hz 1 ~	RSIR/CSIR	LST	LBP	240	1,61	55	90	143	207	283	373	476	-	-	10	195	13,5	S/F	520	230	POE 10	C	DWG09	SM09	EGAS80HLR
FFUS70HAK	6,36	1/4	220-240V 50/60Hz 1 ~	RSIR/CSIR	LST	L/MBP	222	1,51	55	91	140	198	267	350	449	566	705	10,2	201	12,1	S/F	520	230	POE 10	C	DWG09	SM08	FFUS70HAK
FFUS70HAK	6,36	1/4	115-127V 60Hz 1 ~	RSIR/CSIR	LST	L/MBP	229	1,52	55	99	146	205	277	363	466	585	721	10,9	201	24,7	S/F	520	280	POE 10	C	DWG09	SM08	FFUS70HAK
FFUS80HAK	6,76	1/4+	220-240V 50/60Hz 1 ~	RSIR/CSIR	LST	L/MBP	236	1,47	55	108	155	213	284	369	470	589	727	10	201	12,1	S/F	520	230	POE 10	C	DWG09	SM08	FFUS80HAK
FFUS80HAK	6,76	1/4+	115-127V 60Hz 1 ~	RSIR/CSIR	LST	L/MBP	236	1,44	55	111	157	214	285	371	474	596	740	10	201	32	S/F	520	230	POE 10	C	DWG09	SM08	FFUS80HAK
FF7,5HBK	6,92	1/5+	220-240V 50/60Hz 1 ~	RSIR/CSIR	LST	L/M/HBP	206	1,15	55	80	122	174	236	310	397	499	618	10,7	195	15,8	S	-	280	POE 22	C	DWG09	SM08	FF7,5HBK
EGAS90HLR	7,15	1/3-	220-240V 50/60Hz 1 ~	RSIR/CSIR	LST	LBP	271	1,59	55	-	-	-	-	-	-	-	-	10,5	195	13,5	S	-	230	POE 10	C	DWG09	SM09	EGAS90HLR
EGAS100HLR	7,95	1/3	220-240V 50/60Hz 1 ~	RSIR/CSIR	LST	LBP	308	1,60	55	132	201	278	367	471	595	-	-	11	201	16	S	-	230	POE 10	C	DWG09	SM09	EGAS100HLR
FFUS100HAK	7,95	1/3	220-240V 50/60Hz 1 ~	RSIR/CSIR	LST	L/MBP	295	1,52	55	142	195	268	361	470	596	737	892	10,6	201	16,6	S/F	520	350	POE 10	C	DWG09	SM08	FFUS100HAK
FFUS100HAK	7,95	1/3	115-127V 60Hz 1 ~	RSIR/CSIR	LST	L/MBP	297	1,47	55	139	195	268	357	465	592	740	908	10,5	201	30	S/F	520	350	POE 10	C	DWG09	SM08	FFUS100HAK
FF8,5HBK	7,95	1/4	220V 60Hz 1 ~	RSIR/CSIR	LST	L/M/HBP	217	1,11	55	103	145	197	261	341	437	552	687	10,9	195	18,5	S/F	520	280	POE 22	C	DWG09	SM08	FF8,5HBK
FFI10HAK	9,04	1/3	220-230V 50/60Hz 1 ~	RSIR/CSIR	LST	L/MBP	302	1,42	55	115	188	270	364	473	601	751	-	10,9	201	17,5	S/F	520	280	POE 22	C	DWG09	SM08	FFI10HAK
FFI10HAK	9,04	1/3	115-127V 60Hz 1 ~	RSIR/CSIR	LST	L/MBP	302	1,42	55	115	189	271	364	473	601	751	-	10,9	201	32,5	S/F	520	280	POE 22	C	DWG09	SM08	FFI10HAK
FFU130HAX	10,61	1/3+	115-127V 60Hz 1 ~	CSIR	LST/HST	L/MBP	366	1,41	55	153	230	328	450	596	767	965	-	10,8	201	40,3	F	520	280	POE 10	C/V	DWG09	SM08	FFU130HAX
FFI12HBX	11,14	1/3+	220V 60Hz 1 ~	CSIR	HST	L/M/HBP	349	1,18	55	156	223	311	421	556	716	903	1119	11,5	201	26,5	F	520	280	POE 22	C/V	DWG09	SM08	FFI12HBX
FFU160HAX	12,92	1/2	220V 60Hz 1 ~	CSIR	LST/HST	L/MBP	449	1,45	55	219	319	434	569	726	910	1124	1374	10,9	201	19	F	520	280	POE 22	C/V	DWG09	SM08	FFU160HAX

R134a • HBP • 60Hz - EU portfolio

MODEL	DISPL. cm³	HP	VOLTAGE/FREQUENCY	MOTOR TYPE	TORQUE	APPLICATION	RATED POINT - ASHRAE 7,2 °C / 54,4 °C		RATED POINT - ARI 540 7,2 °C / 54,4 °C		CONDENSING TEMPERATURE °C	EVAPORATING TEMPERATURE °C					WEIGHT kg	MAX HEIGHT A mm	LRA A	COOLING TYPE	FAN AIR FLOW m³/h	OIL		EXP DEVICE	DRAWINGS		MODEL	
							CAPACITY W	EFFICIENCY W/W	CAPACITY W	EFFICIENCY W/W		-15	-10	-5	0	5						10	CHARGE cm³		TYPE	EXTERNAL VIEW REFERENCE		WIRING DIAGRAM REFERENCE
NEK6132Z	4,5	1/6	115V 60Hz 1 ~	CSIR	HST	HBP	516	2,13	431	1,77	55	-	192	248	315	393	482	10	187	26	S	-	350	POE 22	C/V	DWG04	SM04	NEK6132Z
											45	177	231	297	376	466	569											
NEK6144Z	5,4	1/6	115V 60Hz 1 ~	CSIR	HST	HBP	640	2,18	532	1,8	55	-	244	313	394	488	549	10,1	187	26	F	520	350	POE 22	C/V	DWG04	SM04	NEK6144Z
											45	226	291	368	460	565	683											
NEK6160Z	7,3	1/4	115V 60Hz 1 ~	CSIR	HST	HBP	845	2,35	758	2,11	55	-	354	450	563	694	846	10,4	187	28,5	F	520	350	POE 22	C/V	DWG04	SM04	NEK6160Z
											45	327	418	529	657	803	967											
NEK6160Z	7,3	1/4	200-230V 50Hz / 208-230V 60Hz 1 ~	CSIR	HST	HBP	845	2,41	758	2,17	55	-	351	450	563	693	839	10,4	187	13,5	F	520	350	POE 22	C/V	DWG04	SM04	NEK6160Z
											45	330	415	522	650	799	966											
NEU6160Z	7,3	1/4	115-127V 60Hz 1 ~	CSIR	HST	HBP	910	2,58	855	2,42	55	-	390	497	625	773	941	10	187	25	F	520	350	POE 22	C/V	DWG04	SM04	NEU6160Z
											45	360	460	582	727	894	1083											
NEU6160Z	7,3	1/4	115-127V 60Hz 1 ~	CSR	HST	HBP	920	2,79	865	2,6	55	-	395	503	633	783	954	10	187	25	F	520	350	POE 22	C/V	DWG04	SM06	NEU6160Z
											45	357	464	591	737	903	1088											
NEK6170Z	8,4	1/4	115V 60Hz 1 ~	CSIR	HST	HBP	978	2,34	878	2,1	55	-	423	527	655	804	974	10,4	187	28,5	F	520	350	POE 22	C/V	DWG04	SM04	NEK6170Z
											45	396	493	616	762	932	1126											
NEK6170Z	8,4	1/4	100V 50/60Hz 1 ~	CSIR	HST	HBP	959	2,35	738	1,95	55	-	382	461	585	759	988	10,4	187	31	F	520	340	POE 22	C/V	DWG04	SM04	NEK6170Z
											45	404	448	535	673	866	1119											
NEK6170Z	8,4	1/4	200-230V 50Hz / 208-230V 60Hz 1 ~	CSIR	HST	HBP	981	2,38	881	2,14	55	-	428	532	657	804	970	10,8	200	18	F	520	350	POE 22	C/V	DWG04	SM04	NEK6170Z
											45	393	495	620	767	937	1130											
NEK6187Z	10,0	1/3	200-230V 50Hz / 208-230V 60Hz 1 ~	CSIR	HST	HBP	1115	2,3	1000	2,06	55	-	477	603	750	918	1109	11,6	206	18	F	520	350	POE 22	C/V	DWG04	SM04	NEK6187Z
											45	426	549	693	857	1044	1253											
NEK6187Z	10,0	1/3	115V 60Hz 1 ~	CSIR	HST	HBP	1122	2,31	1007	2,07	55	-	476	597	746	921	1124	11	200	37	F	520	350	POE 22	C/V	DWG04	SM04	NEK6187Z
											45	442	555	697	868	1068	1295											
NEU6187Z	10,0	1/3	115-127V 60Hz 1 ~	CSIR	HST	HBP	1211	2,42	1154	2,23	55	-	501	680	908	1129	1278	10,7	200	39	F	520	350	POE 22	C/V	DWG04	SM04	NEU6187Z
											45	498	586	783	1031	1274	1455											
NEU6187Z	10,0	1/3	115-127V 60Hz 1 ~	CSR	HST	HBP	1225	2,6	1163	2,35	55	-	500	682	916	1145	1312	10,7	200	39	F	520	350	POE 22	C/V	DWG04	SM06	NEU6187Z
											45	503	592	792	1044	1291	1475											
NEU6187Z	10,0	1/3	200-230V 50Hz / 208-230V 60Hz 1 ~	CSIR	HST	HBP	-	-	1021	2,04	55	-	469	594	745	920	1120	10,5	200	16	F	520	350	POE 22	C/V	DWG04	SM04	NEU6187Z
											45	438	560	708	882	1082	1308											
NEU6187Z	10,0	1/3	200-240V 50Hz / 230V 60Hz 1 ~	CSIR	HST	HBP	1186	2,31	-	-	55	-	-	-	-	-	-	10,5	187	13	F	520	350	POE 22	C/V	DWG03	SM04	NEU6187Z
											45	-	-	-	-	-	-											
NEK6210Z	12,1	1/3	200-230V 50Hz / 208-230V 60Hz 1 ~	CSIR	HST	HBP	1267	2,1	1138	1,88	55	-	507	614	782	1011	1299	11,6	206	24	F	520	350	POE 22	C/V	DWG04	SM04	NEK6210Z
											45	543	598	721	911	1167	1487											
NEK6210Z	12,1	1/3	115V 60Hz 1 ~	CSIR	HST	HBP	1326	2,18	1190	1,96	55	-	575	722	895	1094	1319	11	200	37	F	520	350	POE 22	C/V	DWG04	SM04	NEK6210Z
											45	521	667	841	1041	1267	1520											
NEU6210Z	12,1	1/3	115-127V 60Hz 1 ~	CSIR	HST	HBP	1426	2,3	1343	2,17	55	-	632	798	995	1223	1481	10,6	200	40	F	520	350	POE 22	C/V	DWG04	SM04	NEU6210Z
											45	567	725	917	1142	1402	1695											
NEU6210Z	12,1	1/3	115-127V 60Hz 1 ~	CSR	HST	HBP	1442	2,44	1361	2,36	55	-	640	805	1004	1235	1498	10,6	200	40	F	520	350	POE 22	C/V	DWG04	SM06	NEU6210Z
											45	580	739	931	1157	1416	1709											
NEU6210Z	12,1	1/2	200-230V 50Hz / 208-230V 60Hz 1 ~	CSIR	HST	HBP	1491	2,38	1342	2,14	55	-	623	801	1002	1225	1469	11,1	200	21	F	520	350	POE 22	C/V	DWG04	SM04	NEU6210Z
											45	569	732	924	1144	1392	1669											
NEU6210Z	12,1	1/2	200-230V 50Hz / 208-230V 60Hz 1 ~	CSR	HST	HBP	1509	2,57	1358	2,31	55	-	626	807	1011	1240	1492	11,1	200	21	F	520	350	POE 22	C/V	DWG04	SM06	NEU6210Z
											45	571	736	931	1156	1412	1697											
NEK6212Z	14,3	1/2	200-230V 50Hz / 208-230V 60Hz 1 ~	CSR	HST	HBP	1474	1,97	1323	1,77	55	-	660	825	1011	1221	1450	11,6	206	21	F	520	350	POE 22	C/V	DWG04	SM06	NEK6212Z
											45	611	778	971	1188	1432	1700											
NEK6212Z	14,3	1/2	115V 60Hz 1 ~	CSIR	HST	HBP	1517	1,98	1361	1,78	55	-	658	830	1028	1254	1506	11,6	206	44	F	520	350	POE 22	C/V	DWG04	SM04	NEK6212Z
											45	599	769	967	1193	1446	1728											
NEK6212Z	14,3	1/2	115V 60Hz 1 ~	CSR	HST	HBP	1568	2,18	1407	1,96	55	-	658	830	1028	1254	1506	11,6	206	44	F	520	350	POE 22	C/V	DWG04	SM06	NEK6212Z
											45	599	769	967	1193	1446	1728											
NEU6212Z	14,3	1/2	115-127V 60Hz 1 ~	CSIR	HST	HBP	1663	2,23	1571	2,1	55	-	746	934	1158	1417	1711	11,5	206	40	F	520	350	POE 22	C/V	DWG04	SM04	NEU6212Z
											45	675	856	1074	1330	1622	1951											

CONTINUE...

Note: Return gas temperature in EN12900 conditions for EM and NE series is 32°C for NT and NJ series is 20°C

R134a • L/M/HBP - M/HBP - HBP • 60Hz - BR portfolio

MODEL	DISPL. cm ³	HP	VOLTAGE/FREQUENCY	MOTOR TYPE	TORQUE	APPLICATION	RATED POINT - ASHRAE 7,2 °C / 54,4 °C		CONDENSING TEMPERATURE °C	COOLING CAPACITY ASHRAE HBP32					WEIGHT kg	MAX HEIGHT A mm	LRA A	COOLING TYPE	FAN AIR FLOW m ³ /h	OIL		EXP DEVICE	DRAWINGS		MODEL	
							CAPACITY W	EFFICIENCY W/W		Evaporating Temperature °C W										CHARGE cm ³	TYPE		EXTERNAL VIEW REFERENCE	WIRING DIAGRAM REFERENCE		
										-5	0	5	10	15												
EM20HHR	2,27	1/12	220-240V 50/60Hz 1 ~	RSIR/CSIR	LST	L/M/HBP	292	2,48	55		161	202	252	312	382	6,8	158	6,5	S/F	520	160	POE 22	C	DWG10	SM07	EM20HHR
EMIS20HHR	2,27	1/12	220V 60Hz 1 ~	RSIR/CSIR	LST	L/M/HBP	308	2,36	55		178	226	281	345	417	6,8	158	9,1	S/F	520	160	POE 22	C	DWG10	SM07	EMIS20HHR
EMIS20HHR	2,27	1/12	115-127V 60Hz 1 ~	RSIR/CSIR	LST	L/M/HBP	308	2,49	55		168	215	271	337	414	6,8	158	11,6	S/F	520	160	POE 22	C	DWG10	SM07	EMIS20HHR
EMIS30HHR	3,00	1/10	220V 50/60Hz 1 ~	RSIR/CSIR	LST	L/M/HBP	434	2,68	55		251	314	387	473	572	6,8	158	9	S/F	520	160	POE 22	C	DWG10	SM07	EMIS30HHR
EMIS30HHR	3,00	1/10	115-127V 60Hz 1 ~	RSIR/CSIR	LST	L/M/HBP	434	2,67	55		251	313	385	468	562	6,8	158	16	S/F	520	160	POE 22	C	DWG10	SM07	EMIS30HHR
EM45HHR	3,77	1/8	115-127V 60Hz 1 ~	RSIR/CSIR	LST	L/M/HBP	520	2,53	55		310	381	463	559	669	7,2	166	17	S/F	520	160	POE 22	C	DWG10	SM07	EM45HHR
EM55HHR	4,60	1/6	220-240V 50/60Hz 1 ~	RSIR	LST	HBP	630	2,60	55		378	472	581	703	840	7,6	171	9,5	F	520	160	POE 22	C	DWG10	SM07	EM55HHR
EM55HHR	4,60	1/6	115V 60Hz 1 ~	RSIR	LST	HBP	630	2,52	55		366	456	562	684	821	7,6	171	24,5	F	520	160	POE 22	C	DWG10	SM07	EM55HHR
EM65HHR	5,54	1/6+	220V 50/60Hz 1 ~	RSIR/CSIR	LST	M/HBP	766	2,55	55		474	582	707	847	1003	7,2	171	13,9	F	520	160	POE 22	C	DWG10	SM07	EM65HHR
FF7,5HBK	6,92	1/5+	220-240V 50/60Hz 1 ~	RSIR/CSIR	LST	L/M/HBP	850	2,29	55		499	618	755	912	1089	10,7	195	16,7	S	-	280	POE 22	C	DWG09	SM08	FF7,5HBK
FF8,5HBK	7,95	1/4	220V 60Hz 1 ~	RSIR/CSIR	LST	L/M/HBP	920	2,24	55		552	688	847	1031	1243	10,9	195	18,5	S/F	520	280	POE 22	C	DWG09	SM08	FF8,5HBK
FF112HBX	11,14	1/3+	220V 60Hz 1 ~	CSIR	HST	L/M/HBP	1553	2,28	55		903	1119	1364	1641	1950	11,5	201	26,5	F	520	280	POE 22	C/V	DWG09	SM08	FF112HBX

R404A/R507/R452A • LBP • 50Hz - EU portfolio

MODEL	DISPL. cm ³	HP	VOLTAGE/FREQUENCY	MOTOR TYPE	TORQUE	APPLICATION	RATED POINT - ASHRAE -23,3 °C / 54,4 °C		RATED POINT - EN12900 -35 °C / 40 °C		COOLING CAPACITY EN12900								WEIGHT kg	MAX HEIGHT A mm	LRA A	COOLING TYPE	FAN AIR FLOW m ³ /h	OIL		EXP DEVICE	DRAWINGS		MODEL
							CAPACITY W	EFFICIENCY W/W	CAPACITY W	EFFICIENCY W/W	CONDENSING TEMPERATURE °C	EVAPORATING TEMPERATURE °C												CHARGE cm ³	TYPE		EXTERNAL VIEW REFERENCE	WIRING DIAGRAM REFERENCE	
												-40	-35	-30	-25	-20	-15	-10											
NEK2117GK	4,5	1/4	220-240V 50Hz 1~	CSIR	HST	LBP	235	1,29	125	0,94	55	-	-	117	154	197	247	303	10,4	188	9,6	S	-	350	POE 22	C/V	DWG02	SM05	NEK2117GK
EMT2117GK	4,5	1/4	220-240V 50Hz 1~	CSIR	HST	LBP	244	1,35	141	1,09	45	80	111	149	194	246	306	374	7,8	166	7,7	S	-	180	POE 22	C/V	DWG01	SM05	EMT2117GK
EMT2121GK	5,2	1/3	220-240V 50Hz 1~	CSIR	HST	LBP	300	1,4	174	1,12	55	-	-	168	212	264	327	400	7,8	166	8,5	F	270	180	POE 22	C/V	DWG01	SM05	EMT2121GK
NEK2121GK	5,4	1/3	220-240V 50Hz 1~	CSIR	HST	LBP	282	1,29	156	0,99	45	104	139	184	238	302	377	463	10,4	188	9,6	S	-	350	POE 22	C/V	DWG02	SM05	NEK2121GK
EMT2125GK	6,0	1/3	220-240V 50Hz 1~	CSIR	HST	LBP	351	1,4	204	1,15	55	-	-	190	242	303	375	458	7,8	166	9,8	F	520	180	POE 22	C/V	DWG01	SM05	EMT2125GK
NEK2125GK	6,2	1/3	200-230V 50Hz / 208-230V 60Hz 1~	CSIR	HST	LBP	313	1,23	-	-	55	-	-	-	-	-	-	-	10,4	188	13	F	520	350	POE 22	C/V	DWG03	SM05	NEK2125GK
NEK2125GK	6,2	1/3	200-230V 50Hz / 208-230V 60Hz 1~	CSR	HST	LBP	317	1,33	-	-	55	-	-	-	-	-	-	-	10,4	188	13	F	520	350	POE 22	C/V	DWG03	SM06	NEK2125GK
NEK2125GK	6,2	1/3	220-240V 50Hz 1~	CSIR	HST	LBP	341	1,22	178	0,89	45	120	160	214	278	353	439	533	10,4	188	12,4	F	520	350	POE 22	C/V	DWG03	SM05	NEK2125GK
NEK2125GK	6,2	1/3	100V 50/60Hz 1~	CSIR	HST	LBP	335	1,13	-	-	55	-	-	-	-	-	-	-	11,2	206	32	F	520	350	POE 22	C/V	DWG03	SM05	NEK2125GK
NEK2125GK	6,2	1/3	100V 50/60Hz 1~	CSR	HST	LBP	338	1,24	-	-	55	-	-	-	-	-	-	-	11,2	206	32	F	520	350	POE 22	C/V	DWG03	SM06	NEK2125GK
EMT2130GK	6,8	1/3	220-240V 50Hz 1~	CSIR	HST	LBP	390	1,34	222	1,08	45	150	200	257	326	406	500	605	8	171	12,1	F	520	180	POE 22	C/V	DWG01	SM05	EMT2130GK
NEK2130GK	7,4	1/3	220-240V 50Hz 1~	CSIR	HST	LBP	399	1,32	210	0,99	55	-	-	202	267	341	425	521	10,9	200		F	520	350	POE 22	C/V	DWG03	SM05	NEK2130GK
NEK2134GK	8,8	1/2	220-240V 50Hz 1~	CSIR	HST	LBP	464	1,3	253	1	45	131	188	255	332	421	523	639	11	200	16,1	F	520	350	POE 22	C/V	DWG03	SM05	NEK2134GK
NEK2134GK	8,8	1/2	100V 50/60Hz 1~	CSIR	HST	LBP	448	1,19	235	0,86	55	-	-	233	305	390	486	595	11,6	206	34	F	520	350	POE 22	C/V	DWG04	SM04	NEK2134GK
NEK2134GK	8,8	1/2	100V 50/60Hz 1~	CSR	HST	LBP	452	1,28	237	0,93	45	169	225	297	332	487	606	741	11,6	206	34	F	520	350	POE 22	C/V	DWG04	SM06	NEK2134GK
NEU2140GK	8,8	1/2	220-240V 50Hz 1~	CSIR	HST	LBP	486	1,36	275	1,13	55	-	-	260	339	432	536	654	10,6	200	13,5	F	520	350	POE 22	C/V	DWG03	SM05	NEU2140GK
NEU2140GK	8,8	1/2	200-230V 50Hz / 208-230V 60Hz 1~	CSIR	HST	LBP	480	1,34	270	1,11	45	183	246	326	421	531	658	801	11,2	200	18	F	520	350	POE 22	C/V	DWG03	SM05	NEU2140GK
NEK2150GK	12,1	3/4	220-240V 50Hz 1~	CSIR	HST	LBP	605	1,24	304	0,91	55	-	-	326	419	529	657	807	11,6	206	19,5	F	520	350	POE 22	C/V	DWG03	SM05	NEK2150GK
NEK2150GK	12,1	1/2	100V 50/60Hz 1~	CSR	HST	LBP	604	1,28	304	0,8	45	235	313	408	522	657	814	995	11,6	206	44	F	520	350	POE 22	C/V	DWG04	SM06	NEK2150GK
NEU2155GK	12,1	3/4	220-240V 50Hz 1~	CSIR	HST	LBP	658	1,32	368	1,08	55	-	-	413	477	546	713	870	11,1	206	18	F	520	350	POE 22	C/V	DWG03	SM05	NEU2155GK
NEK2168GK	14,3	3/4	220-240V 50Hz 1~	CSIR	HST	LBP	688	1,13	360	0,95	45	246	328	432	557	705	875	1067	11,6	206	24	F	520	350	POE 22	C/V	DWG03	SM05	NEK2168GK
NEK2168GK	14,3	3/4	220-240V 50Hz 1~	CSR	HST	LBP	707	1,28	380	0,97	55	-	-	371	484	618	771	944	11,6	206	24	F	520	350	POE 22	C/V	DWG03	SM06	NEK2168GK
NEU2168GK	14,3	3/4	220-240V 50Hz 1~	CSIR	HST	LBP	744	1,27	416	1,08	45	263	353	466	605	767	955	1166	11,6	206	22	F	520	350	POE 22	C/V	DWG03	SM05	NEU2168GK
NEU2168GJ	14,3	3/4	220-240V 50Hz 1~	CSR	HST	LBP	776	1,44	437	1,21	55	-	-	411	537	684	852	1042	11,6	206	22	F	520	350	POE 22	C/V	DWG03	SM06	NEU2168GJ
NT2168GK	14,5	3/4	200-240V 50Hz / 230V 60Hz 1~	CSIR	HST	LBP	642	1,28	354	1,03	45	293	391	514	664	838	1038	1264	17	220	25	F	520	450	POE 22	C/V	DWG16	SM19	NT2168GK
NT2168GK	14,5	3/4	200-240V 50Hz / 230V 60Hz 1~	CSR	HST	LBP	642	1,28	354	1,03	55	-	-	319	422	542	685	859	17	220	25	F	520	450	POE 22	C/V	DWG16	SM23	NT2168GK

Note: Return gas temperature in EN12900 conditions for EM and NE series is 32°C for NT and NJ series is 20°C

R290 • LBP - L/MBP • 50Hz - BR portfolio

MODEL	DISPL. cm ³	HP	VOLTAGE/FREQUENCY	MOTOR TYPE	TORQUE	APPLICATION	RATED POINT - ASHRAE -23,3 °C / 54,4 °C		CONDENSING TEMPERATURE °C	COOLING CAPACITY ASHRAE LBP							WEIGHT kg	MAX HEIGHT A mm	LRA A	COOLING TYPE	FAN AIR FLOW m ³ /h	OIL		EXP DEVICE	DRAWINGS		MODEL	
							CAPACITY W	EFFICIENCY W/W		EVAPORATING TEMPERATURE °C W												CHARGE cm ³	TYPE		EXTERNAL VIEW REFERENCE	WIRING DIAGRAM REFERENCE		
										-35	-30	-25	-20	-15	-10	-5												
EM150UER	3,00	1/6	220-240V 50/60Hz 1 ~	RSIR/CSIR	LST	L/MBP	128	1,28	55		67	92	119	147	178	212	248	8,1	171	9,2	S/F	520	160	AB 32	C	DWG10	SM07	EM150UER
EM170UER	4,08	1/5	220-240V 50/60Hz 1 ~	RSIR/CSIR	LST	L/MBP	176	1,17	55		98	128	163	203	250	305	368	8,1	171	9,7	S/F	520	160	AB 32	C	DWG10	SM07	EM170UER
EM190UEX	4,99	1/4+	220-240V 50Hz 1 ~	CSIR	HST	L/MBP	229	1,28	55		116	185	214	230	262	334	474	8,1	171	11,8	F	520	160	AB 32	C/V	DWG10	SM07	EM190UEX
FFU130UAX	6,76	1/3+	220-240V 50/60Hz 1 ~	CSIR	HST	L/MBP	319	1,49	55		182	225	287	367	465	578	708	10	201	39	F	520	280	AB 32	C/V	DWG09	SM08	FFU130UAX
FFU160UAX	7,95	1/2	220-240V 50Hz 1 ~	CSIR	HST	L/MBP	399	1,45	55		227	298	376	465	568	688	831	10	201	21	F	520	280	AB 32	C/V	DWG09	SM08	FFU160UAX

R290 • L/MBP • 60Hz - BR portfolio

MODEL	DISPL. cm ³	HP	VOLTAGE/FREQUENCY	MOTOR TYPE	TORQUE	APPLICATION	RATED POINT - ASHRAE -23,3 °C / 54,4 °C		CONDENSING TEMPERATURE °C	COOLING CAPACITY ASHRAE LBP							WEIGHT kg	MAX HEIGHT A mm	LRA A	COOLING TYPE	FAN AIR FLOW m ³ /h	OIL		EXP DEVICE	DRAWINGS		MODEL
							CAPACITY W	EFFICIENCY W/W		EVAPORATING TEMPERATURE °C												CHARGE cm ³	TYPE		EXTERNAL VIEW REFERENCE	WIRING DIAGRAM REFERENCE	
										-35	-30	-25	-20	-15	-10	-5											
EMI50UER	3,00	1/6	115-127V 60Hz 1 ~	RSIR/CSIR	LST/HST	L/MBP	152	1,32	55	76	103	139	182	232	290	355	8,1	171	12,7	F	520	160	AB 32	C	DWG10	SM07	EMI50UER
EMI50UER	3,00	1/6	220-240V 50/60 Hz 1 ~	RSIR/CSIR	LST	L/MBP	152	1,33	55	76	103	139	182	232	290	355	8,1	171	9,2	F	520	160	AB 32	C	DWG10	SM07	EMI50UER
EMI70UER	4,08	1/5	115-127V 60Hz 1 ~	CSIR	LST	L/MBP	205	1,27	55	106	143	191	249	318	397	49	8,1	171	19,6	S/F	520	160	AB 32	C	DWG10	SM07	EMI70UER
EMI70UER	4,08	1/5	220-240V 50/60 Hz 1 ~	RSIR/CSIR	LST	L/MBP	210	1,30	55	106	143	191	249	318	397	49	8,1	171	9,4	S/F	520	160	AB 32	C	DWG10	SM07	EMI70UER
EMI90UEX	4,99	1/4+	115-127V 60Hz 1 ~	CSIR	HST	L/MBP	277	1,37	55	160	207	264	330	408	499	603	8,1	171	31	F	520	160	AB 32	C/V	DWG10	SM07	EMI90UEX
EMI90UEX	4,99	1/4+	220V 60Hz 1 ~	CSIR	HST	L/MBP	277	1,33	55	144	210	277	344	409	472	531	8,1	171	12	F	520	160	AB 32	C/V	DWG10	SM07	EMI90UEX
EM2X3121U	5,54	1/3	115-127V 60Hz 1 ~	RSCR	LST	L/MBP	333	1,74	55	168	225	292	367	451	546	650	8,2	171	10	S/F	520	130	POE 22	C	DWG10	SM07	EM2X3121U
EM2X3125U	6,09	1/3+	115-127V 60Hz 1 ~	RSCR	LST	L/MBP	361	1,70	55	198	258	330	413	510	621	748	8,2	171	12,6	S/F	520	130	POE 22	C	DWG10	SM07	EM2X3125U
FFU130UAX	6,76	1/3+	115-127V 60Hz 1 ~	CSIR	HST	L/MBP	399	1,51	55	236	288	361	454	568	704	-	10	201	39	F	520	280	AB 32	C/V	DWG09	SM08	FFU130UAX
FFU130UAX	6,76	1/3+	220-240V 50/60 Hz 1 ~	CSIR	HST	L/MBP	399	1,55	55	230	295	368	452	553	675	825	10	201	19	F	520	280	AB 32	C/V	DWG09	SM08	FFU130UAX
FFU160UAX	7,95	1/2	115-127V 60Hz 1 ~	CSIR	HST	L/MBP	489	1,54	55	236	288	361	454	568	704	-	10	201	41,5	F	520	280	AB 32	C/V	DWG09	SM08	FFU160UAX
FFU160UAX	7,95	1/2	220V 60Hz 1 ~	CSIR	HST	L/MBP	489	1,54	55	230	295	368	452	553	675	825	10	201	25,6	F	520	280	AB 32	C/V	DWG09	SM08	FFU160UAX

R600a • LBP - L/MBP • 50Hz - EU portfolio

MODEL	DISPL. cm ³	HP	VOLTAGE/FREQUENCY	MOTOR TYPE	TORQUE	APPLICATION	RATED POINT - ASHRAE -23,3 °C / 54,4 °C		RATED POINT - CECOMAF -25 °C / 55 °C		CONDENSING TEMPERATURE °C	COOLING CAPACITY CECOMAF						WEIGHT kg	MAX HEIGHT A mm	LRA A	COOLING TYPE	FAN AIR FLOW m ³ /h	OIL		EXP DEVICE	DRAWINGS		MODEL
							CAPACITY W	EFFICIENCY W/W	CAPACITY W	EFFICIENCY W/W		EVAPORATING TEMPERATURE °C W											CHARGE cm ³	TYPE		EXTERNAL VIEW REFERENCE	WIRING DIAGRAM REFERENCE	
												-30	-25	-20	-15	-10	-5											
EMX20CLC	4,0	1/14	220-240V 50Hz 1 ~	RSCR	LST	LBP	63	1,66	48	1,3	55	36	49	64	82	102	126	7,1	166	2,1	S	-	150	AB 5	C	DWG01	SM01	EMX20CLC
											45	44	58	76	96	119	146											
EMX26CLC	5,2	1/12	220-240V 50Hz 1 ~	RSCR	LST	LBP	81	1,68	60	1,32	55	43	59	80	104	133	165	7,1	166	-	S	-	150	AB 5	C	DWG01	SM01	EMX26CLC
											45	53	72	96	124	156	192											
EMX32CLC	6,0	1/10	220-240V 50Hz 1 ~	RSCR	LST	LBP	92	1,72	69	1,35	55	49	69	92	119	151	189	7,3	166	3,3	S	-	150	AB 5	C	DWG01	SM01	EMX32CLC
											45	64	86	111	141	176	218											
EMX3109Y	6,2	1/10	100V 50Hz / 100-127V 60Hz 1 ~	RSIR/RSCR	LST	L/MBP	100	1,68	-	-	55	-	-	-	-	-	-	7,7	171	6,8	S/F	270	150	AB 5	C/V	DWG01	SM00-SM01	EMX3109Y
											45	-	-	-	-	-	-											
EMC40CLT	7,2	1/8	220-240V 50Hz 1 ~	RSCR	LST	LBP	117	1,79	87	1,4	55	78	107	142	187	233	260	7,7	171	3,4	S	-	150	AB 5	C	DWG01	SM02	EMC40CLT
											45	88	118	154	198	248	300											
EMC46CLT	8,0	1/7	220-240V 50Hz 1 ~	RSCR	LST	LBP	133	1,8	98	1,37	55	88	119	158	203	256	280	7,1	166	-	S	-	150	AB 2	C	DWG01	SM02	EMC46CLT
											45	95	129	169	215	269	310											
EMX3113Y	9,0	1/7	100V 50Hz / 100-127V 60Hz 1 ~	RSCR	LST	L/MBP	155	1,75	-	-	55	-	-	-	-	-	-	8	171	11,6	S/F	270	150	AB 5	C/V	DWG01	SM01	EMX3113Y
											45	-	-	-	-	-	-											
EMX55CLC	9,0	1/6	220-240V 50Hz 1 ~	RSCR	LST	LBP	156	1,74	117	1,37	55	87	117	154	197	245	303	7,6	166	-	S	-	150	AB 5	C	DWG01	SM01	EMX55CLC
											45	102	135	175	222	277	339											
EMX3115Y	10,6	1/5	100V 50Hz / 100-127V 60Hz 1 ~	RSCR	LST	L/MBP	184	1,67	-	-	55	-	-	-	-	-	-	7,7	166	14,1	S/F	270	150	AB 5	C/V	DWG01	SM01	EMX3115Y
											45	-	-	-	-	-	-											
EMX66CLC	10,6	1/5	220-240V 50Hz 1 ~	RSCR	LST	LBP	183	1,73	137	1,37	55	101	137	178	227	284	348	7,4	166	6,4	S	-	150	AB 5	C	DWG01	SM01	EMX66CLC
											45	122	160	207	261	323	394											
EMX70CLC	11,1	1/5	220-240V 50Hz 1 ~	RSCR	LST	LBP	191	1,71	143	1,34	55	103	143	184	233	290	360	7,4	166	6	S	-	150	AB 5	C	DWG01	SM01	EMX70CLC
											45	123	164	210	263	327	403											
EMX3118Y	12,2	1/5	100V 50Hz / 100-127V 60Hz 1 ~	RSCR	LST	L/MBP	212	1,66	-	-	55	-	-	-	-	-	-	7,7	166	14,1	S/F	270	150	AB 5	C/V	DWG01	SM01	EMX3118Y
											45	-	-	-	-	-	-											
EMY3118Y	12,2	1/5	220-240V 50Hz 1 ~	RSIR	LST	L/MBP	212	1,49	157	1,16	55	-	-	-	-	-	-	7,7	171	7,8	S/F	270	150	AB 5	C/V	DWG01	SM00	EMY3118Y
											45	-	-	-	-	-	-											
EMY3118Y	12,2	1/5	220-240V 50Hz 1 ~	RSCR	LST	L/MBP	213	1,58	158	1,23	55	-	-	-	-	-	-	7,6	171	7,8	S/F	270	150	AB 5	C/V	DWG01	SM01	EMY3118Y
											45	-	-	-	-	-	-											
EMX3118Y	12,2	1/5	220-240V 50Hz 1 ~	RSCR	LST	L/MBP	214	1,72	159	1,34	55	-	-	-	-	-	-	7,9	171	7,5	S/F	270	150	AB 5	C/V	DWG01	SM01	EMX3118Y
											45	-	-	-	-	-	-											
EMX80CLT	12,2	1/5	220-240V 50Hz 1 ~	RSCR	LST	LBP	213	1,73	162	1,36	55	118	162	207	265	331	406	7,9	171	7,5	S	-	150	AB 5	C	DWG01	SM02	EMX80CLT
											45	139	185	240	305	380	464											
NBY1118Y	14,3	1/4	220-240V 50Hz 1 ~	RSCR	LST	LBP	244	1,74	183	1,38	55	138	183	234	299	375	464	10,6	195	11	S	-	280	AB 5	C	DWG02	SM02	NBY1118Y
											45	159	206	266	339	427	529											

Note: Return gas temperature in EN12900 conditions for EM and NE series is 32°C for NT and NJ series is 20°C

R600a • LBP - L/MBP • 50Hz - BR portfolio

MODEL	DISPL. cm ³	HP	VOLTAGE/FREQUENCY	MOTOR TYPE	TORQUE	APPLICATION	RATED POINT - ASHRAE -23,3 °C / 54,4 °C		CONDENSING TEMPERATURE °C	COOLING CAPACITY ASHRAE LBP							WEIGHT kg	MAX HEIGHT A mm	LRA A	COOLING TYPE	FAN AIR FLOW m ³ /h	OIL		EXP DEVICE	DRAWINGS		MODEL
							CAPACITY W	EFFICIENCY W/W		EVAPORATING TEMPERATURE °C												CHARGE cm ³	TYPE		EXTERNAL VIEW REFERENCE	WIRING DIAGRAM REFERENCE	
										-35	-30	-25	-20	-15	-10	-5											
EMX20CLC	3,97	1/12	220-240V 50Hz 1 ~	RSCR	LST	LBP	63	1,54	55	34	47	54	75	97	123	152	7,8	170	2	S	-	150	AB 5	C	DWG10	SM07	EMX20CLC
EMT23CLP	4,5	1/12	220-240V 50Hz 1 ~	RSIR	LST	LBP	78	1,34	55	38	53	70	91	115	144	-	7,2	158	2,7	S/F	520	180	MIN 10	C	DWG10	SM07	EMT23CLP
EMI30CNP	4,99	1/10	220V 50/60Hz 1 ~	RSIR	LST	L/MBP	76	1,16	55	31	48	68	91	119	152	192	7,1	166	3,7	S	-	160	MIN 32	C	DGW10	SM07	EMI30CNP
EMI40CNP	6,36	1/8	220V 50/60Hz 1 ~	RSIR	LST	L/MBP	100	1,18	55	49	68	91	119	153	195	245	7	166	5	S	-	160	MIN 32	C	DGW10	SM07	EMI40CNP
EMT40CLP	7,23	1/8	220-240V 50Hz 1 ~	RSIR/RSCR	LST	LBP	119	1,36	55	54	79	108	142	182	229	284	7,4	158	4,3	S	-	180	AB 5	C	DWG10	SM07	EMT40CLP
EMX46CLC	7,96	1/8	220-240V 50Hz 1 ~	RSCR	LST	LBP	138	1,71	55	68	95	127	165	211	264	325	7,4	166	3,7	S	-	180	AB 5	C	DWG10	SM07	EMX46CLC
EMT56CLP	9,04	1/6	220-240V 50Hz 1 ~	RSIR/RSCR	LST	LBP	155	1,35	55	77	106	143	188	240	301	369	7,7	166	5,5	S	-	180	AB 5	C	DWG10	SM07	EMT56CLP
EMYE70CLP	10,61	1/5	220V 50/60Hz 1 ~	RSIR	LST	LBP	182	1,32	55	-	-	-	-	-	-	-	7,6	200	8,2	S	-	180	AB 5	C	DWG10	SM07	EMYE70CLP
EMX70CLC	11,14	1/4	220-240V 50Hz 1 ~	RSCR	LST	LBP	191	1,67	55	105	135	174	223	283	355	438	8,6	166	4,9	S	-	180	AB 5	C	DWG10	SM07	EMX70CLC
EGAS80CLP	11,14	1/4	220V 50/60Hz 1 ~	RSIR	LST	LBP	190	1,44	55	94	128	171	224	290	370	467	10,4	201	7,3	S	-	280	AB 5	C	DWG09	SM09	EGAS80CLP
EGYS80CLP	11,14	1/4	220-240V 50Hz 1 ~	RSIR	LST	LBP	199	1,73	55	108	141	181	230	290	365	458	11	201	8,1	S	-	280	AB 5	C	DWG09	SM09	EGYS80CLP
EGYS90CLP	12,21	1/4+	220-240V 50Hz 1 ~	RSIR	LST	LBP	215	1,69	55	118	153	198	255	324	407	505	10,9	201	8,8	S	-	280	AB 5	C	DWG09	SM09	EGYS90CLP
EGYS90CLP	12,21	1/4+	220-240V 50/60 Hz 1 ~	RSIR	LST	LBP	217	1,71	55	109	151	198	253	321	403	-	10,9	201	8,8	S	-	280	AB 5	C	DWG09	SM09	EGYS90CLP
EGAS100CLP	13,54	1/3	220V 50/60Hz 1 ~	RSIR	LST	LBP	232	1,33	55	126	163	215	280	359	454	564	10,4	201	10,3	S	-	280	AB 5	C	DWG09	SM09	EGAS100CLP
EGX100CLC	13,54	1/3	220-240V 50Hz 1 ~	RSCR	LST	LBP	248	1,87	55	111	160	207	258	320	397	497	11,2	201	4,9	S	-	280	AB 5	C	DWG09	SM09	EGX100CLC

R600a • HBP • 50Hz - EU portfolio

MODEL	DISPL. cm ³	HP	VOLTAGE/FREQUENCY	MOTOR TYPE	TORQUE	APPLICATION	RATED POINT - ASHRAE 7,2 °C / 54,4 °C		RATED POINT - EN12900 5 °C / 50 °C		CONDENSING TEMPERATURE °C	COOLING CAPACITY EN12900						WEIGHT kg	MAX HEIGHT A mm	LRA A	COOLING TYPE	FAN AIR FLOW m ³ /h	OIL		EXP DEVICE	DRAWINGS		MODEL
							CAPACITY W	EFFICIENCY W/W	CAPACITY W	EFFICIENCY W/W		EVAPORATING TEMPERATURE °C											CHARGE cm ³	TYPE		EXTERNAL VIEW REFERENCE	WIRING DIAGRAM REFERENCE	
												-15	-10	-5	0	5	10											
EMT30CDP	4,5	1/12	220-240V 50Hz 1 ~	RSIR	LST	HBP	256	2,53	246	2,65	55	-	125	155	191	232	278	7,2	158	3,7	S	-	180	POE 22	C	DWG01	SM00	EMT30CDP
EMU5125Y	4,5	1/12	220-240V 50Hz 1 ~	RSIR/RSCR	LST	HBP	267	2,88	244	2,82	55	-	120	151	187	228	274	7	158	3,7	S	-	150	AB 5	C	DWG01	SM00-SM01	EMU5125Y
EMY5125Y	4,5	1/8	220-240V 50Hz 1 ~	RSIR/RSCR	LST	HBP	274	3,01	-	-	55	-	-	-	-	-	-	7,3	166	3,1	S	-	150	AB 5	C	DWG01	SM00-SM01	EMY5125Y
EMT45CDP	6,8	1/8	220-240V 50Hz 1 ~	RSIR	LST	HBP	389	2,56	360	2,47	55	-	169	215	267	326	395	7,7	166	5,8	S	-	180	POE 22	C	DWG01	SM00	EMT45CDP
EMY5135Y	7,2	1/8	220-240V 50Hz 1 ~	RSIR	LST	HBP	417	2,79	-	-	55	-	-	-	-	-	-	7,7	171	5	S	-	150	AB 5	C	DWG01	SM00	EMY5135Y
EMY6135Y	7,2	1/8	220-240V 50Hz 1 ~	CSIR	HST	HBP	414	2,65	-	-	55	-	-	-	-	-	-	7,1	166	6	S	-	150	AB 5	C	DWG01	SM29	EMY6135Y
EMT6144Y	9,1	1/5	220-240V 50Hz 1 ~	CSIR	HST	HBP	543	2,48	486	2,41	55	-	250	310	377	455	543	7,8	166	7,7	F	520	180	POE 22	C/V	DWG01	SM05	EMT6144Y
NEK6160Y	12,1	1/4	220-240V 50Hz 1 ~	CSIR	HST	HBP	677	2,53	606	2,43	55	-	294	372	464	567	678	10,6	187	12,4	F	520	350	POE 22	C/V	DWG03	SM05	NEK6160Y
NEK6170Y	14,3	1/4	220-240V 50Hz 1 ~	CSIR	HST	HBP	809	2,47	720	2,38	55	-	358	449	554	674	807	10,6	187	12,4	F	520	350	POE 22	C/V	DWG03	SM05	NEK6170Y
NBY5170Y	14,3	1/4	220-240V 50Hz 1 ~	RSCR	LST	HBP	842	3,1	753	2,99	55	-	-	-	-	-	-	10,8	206	15	S	-	350	AB 5	C/V	DWG02	SM01	NBY5170Y
NEK6187Y	16,8	1/3	220-240V 50Hz 1 ~	CSIR	HST	HBP	907	2,39	805	2,29	55	-	391	494	613	749	774	11	200	16,1	F	520	350	POE 22	C/V	DWG03	SM05	NEK6187Y

Note: Return gas temperature in EN12900 conditions for EM and NE series is 32°C for NT and NJ series is 20°C

R600a • LBP - L/MBP • 60Hz - EU portfolio

MODEL	DISPL. cm ³	HP	VOLTAGE/FREQUENCY	MOTOR TYPE	TORQUE	APPLICATION	RATED POINT - ASHRAE -23,3 °C / 54,4 °C		CONDENSING TEMPERATURE °C	COOLING CAPACITY ASHRAE							WEIGHT kg	MAX HEIGHT A mm	LRA A	COOLING TYPE	FAN AIR FLOW m ³ /h	OIL		EXP DEVICE	DRAWINGS		MODEL
							CAPACITY W	EFFICIENCY W/W		EVAPORATING TEMPERATURE °C												CHARGE cm ³	TYPE		EXTERNAL VIEW REFERENCE	WIRING DIAGRAM REFERENCE	
										-30	-25	-20	-15	-10	-5												
EMX3109Y	6,2	1/10	100V 50Hz / 100-127V 60Hz 1 ~	RSIR/RSCR	LST	L/MBP	125	1,76	55	80	108	144	187	237	295	7,7	171	8,2	S/F	270	150	AB 5	C/V	DWG01	SM32	EMX3109Y	
									45	88	117	154	199	252	312												
EMX60CLC	9,0	1/7	115-127V 60Hz 1 ~	RSIR/RSCR	LST	LBP	181	1,67	55	124	163	211	269	337	418	7,6	171	12	S	-	150	AB 5	C	DWG01	SM00-SM01	EMX60CLC	
									45	132	173	223	283	354	437												
EMX3113Y	9,0	1/7	100V 50Hz / 100-127V 60Hz 1 ~	RSCR	LST	L/MBP	185	1,74	55	119	161	213	275	347	429	8	171	13,8	S/F	270	150	AB 5	C/V	DWG01	SM01	EMX3113Y	
									45	127	171	225	289	362	445												
EMX3115Y	10,6	1/6	100V 50Hz / 100-127V 60Hz 1 ~	RSCR	LST	L/MBP	213	1,69	55	145	187	242	311	392	486	7,7	166	16,7	S/F	270	150	AB 5	C/V	DWG01	SM01	EMX3115Y	
									45	154	200	258	329	413	510												
EMX3118Y	12,2	1/5	100V 50Hz / 100-127V 60Hz 1 ~	RSCR	LST	L/MBP	242	1,64	55	169	223	291	373	468	577	7,7	166	16,7	S/F	270	150	AB 5	C/V	DWG01	SM01	EMX3118Y	
									45	179	237	308	393	492	604												

Note: Return gas temperature in EN12900 conditions for EM and NE series is 32°C for NT and NJ series is 20°C

R600a • LBP - L/MBP - L/M/HBP • 60Hz - BR portfolio

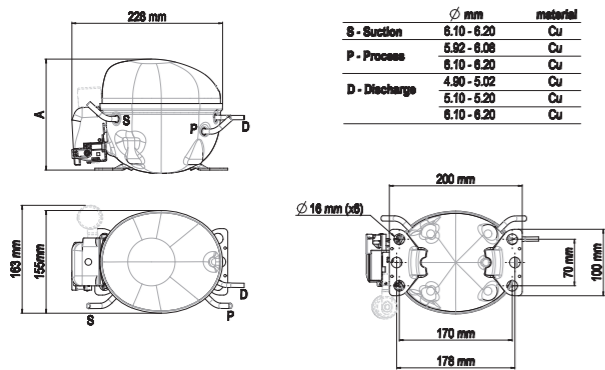
MODEL	DISPL. cm ³	HP	VOLTAGE/FREQUENCY	MOTOR TYPE	TORQUE	APPLICATION	RATED POINT - ASHRAE -23,3 °C / 54,4 °C		CONDENSING TEMPERATURE °C	COOLING CAPACITY ASHRAE LBP							WEIGHT kg	MAX HEIGHT A mm	LRA A	COOLING TYPE	FAN AIR FLOW m ³ /h	OIL		EXP DEVICE	DRAWINGS		MODEL
							CAPACITY W	EFFICIENCY W/W		EVAPORATING TEMPERATURE °C												CHARGE cm ³	TYPE		EXTERNAL VIEW REFERENCE	WIRING DIAGRAM REFERENCE	
										-35	-30	-25	-20	-15	-10	-5											
EMX20CLC	3,97	1/12	115 - 127V 60Hz 1 ~	RSCR	LST	LBP	77	1,56	55	51	69	90	115	147	-	-	7,8	170	3,7	S	-	180	AB 5	C	DWG10	SM07	EMX20CLC
EMT30CDP	4,5	1/8	100V 50/60 Hz 1 ~	RSIR	LST	L/M/HBP	94	1,42	-	-	-	-	-	-	-	7,2	170	7,7	S	-	180	MIN 10	C	DWG10	SM07	EMT30CDP	
EMI30CNP	4,99	1/10	220V 50/60 Hz 1 ~	RSIR	LST	L/MBP	94	1,22	55	61	85	113	145	183	226	-	7,1	166	3,5	S	-	160	MIN 32	C	DWG10	SM07	EMI30CNP
EMI40CNP	6,36	1/8	220V 50/60 Hz 1 ~	RSIR	LST	L/MBP	120	1,25	55	81	109	144	186	236	296	-	7	166	4,5	S	-	160	MIN 32	C	DWG10	SM07	EMI40CNP
EMU40CLP	5,96	1/8	220V 50/60 Hz 1 ~	RSIR/RSCR	LST	LBP	120	1,34	55	82	110	142	181	227	-	-	8,6	165	7,7	S	-	180	AB 5	C	DWG10	SM07	EMU40CLP
EMU40CLP	5,96	1/8	115 - 127V 60Hz 1 ~	RSIR/RSCR	LST	LBP	115	1,25	55	78	106	140	181	228	283	-	8,6	165	7,3	S	-	180	AB 5	C	DWG10	SM07	EMU40CLP
EMU60CLP	9,04	1/6	115-127V 60Hz 1 ~	RSIR	LST	LBP	175	1,47	55	91	121	156	199	253	319	-	7,4	170	10,5	S	-	180	AB 5	C	DWG10	SM07	EMU60CLP
EMU60CLP	9,04	1/6	220V 60 Hz 1 ~	RSIR	LST	LBP	175	1,41	55	89	120	158	204	261	331	414	8,6	170	7,4	S	-	180	AB 5	C	DWG10	SM07	EMU60CLP
EMYE70CLP	10,61	1/5	115-127V 60Hz 1 ~	RSIR	LST	LBP	203	1,50	55	107	143	185	241	306	387	482	7,7	200	14,5	S	-	180	AB 5	C	DWG10	SM07	EMYE70CLP
EMYE70CLP	10,61	1/5	220V 50/60 Hz 1 ~	RSIR	LST	LBP	203	1,46	55	-	-	-	-	-	-	7,6	200	7,8	S	-	180	AB 5	C	DWG10	SM07	EMYE70CLP	
EGAS80CLP	11,14	1/4	115-127V 60Hz 1 ~	RSIR/RSCR	LST	LBP	245	1,58	55	124	173	227	288	362	451	558	10,3	200	18	S	-	280	AB 5	C	DWG09	SM09	EGAS80CLP
EGAS80CLP	11,14	1/4	220V 60 Hz 1 ~	RSIR/RSCR	LST	LBP	243	1,57	55	119	168	223	287	362	452	-	10,4	200	7,3	S	-	280	AB 5	C	DWG09	SM09	EGAS80CLP
EGAS80CLP	11,14	1/4	220V 50/60 Hz 1 ~	RSIR	LST	LBP	242	1,59	55	125	173	226	287	361	448	-	10,4	200	7,3	S	-	280	AB 5	C	DWG09	SM09	EGAS80CLP
EGYS90CLP	12,21	1/4+	115-127V 60Hz 1 ~	RSCR	LST	LBP	267	1,71	55	137	190	249	317	400	499	621	11,2	200	24,1	S	-	280	AB 5	C	DWG09	SM09	EGYS90CLP
EGYS90CLP	12,21	1/4+	220-240V 50/60 Hz 1 ~	RSIR	LST	LBP	265	1,67	55	132	183	243	313	396	495	613	11	200	8	S	-	280	AB 5	C	DWG09	SM09	EGYS90CLP
EGAS100CLP	13,54	1/3	220V 50/60 Hz 1 ~	RSIR	LST	LBP	297	1,53	55	157	205	274	362	466	582	-	10,4	200	10,3	S	-	280	AB 5	C	DWG09	SM09	EGAS100CLP

EXTERNAL VIEWS & WIRING DIAGRAMS



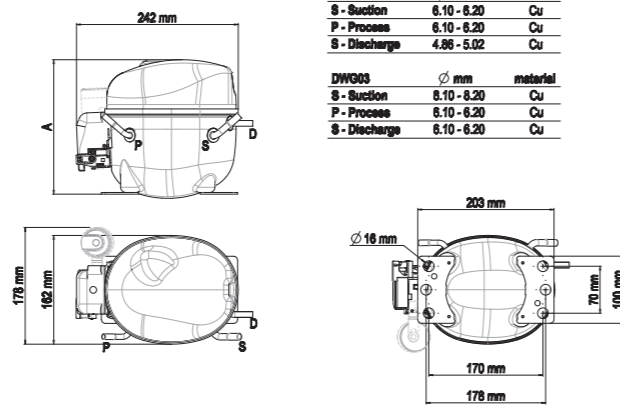
EXTERNAL VIEWS

DWG01 – EM Series European Base Plate



	∅ mm	material
S - Suction	6.10 - 6.20	Cu
P - Process	6.92 - 6.06	Cu
	6.10 - 6.20	Cu
D - Discharge	4.90 - 5.02	Cu
	6.10 - 6.20	Cu

DWG02/03 - NB / NE SERIES European Base Plate



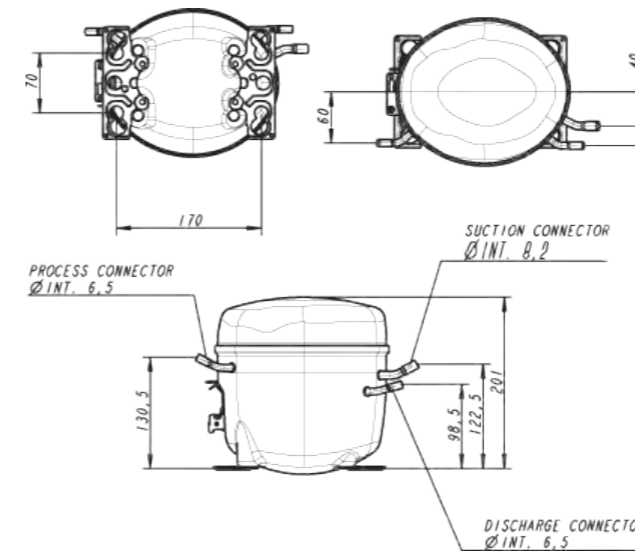
DWG02

	∅ mm	material
S - Suction	6.10 - 6.20	Cu
P - Process	6.10 - 6.20	Cu
S - Discharge	4.86 - 5.02	Cu

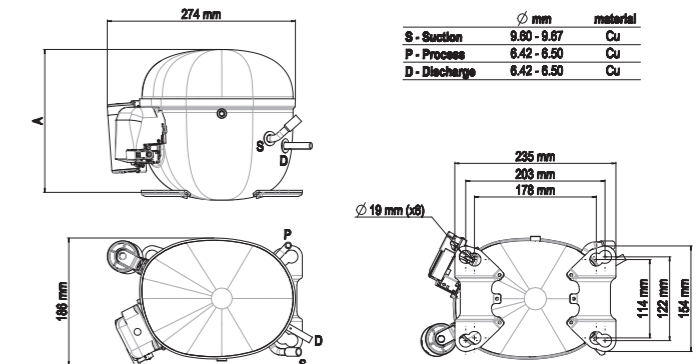
DWG03

	∅ mm	material
S - Suction	6.10 - 6.20	Cu
P - Process	6.10 - 6.20	Cu
S - Discharge	6.10 - 6.20	Cu

DWG09 - EG / F / VEG SERIES

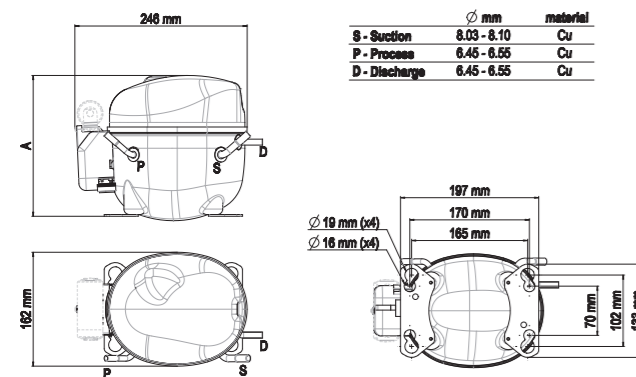


DWG15 - NT SERIES



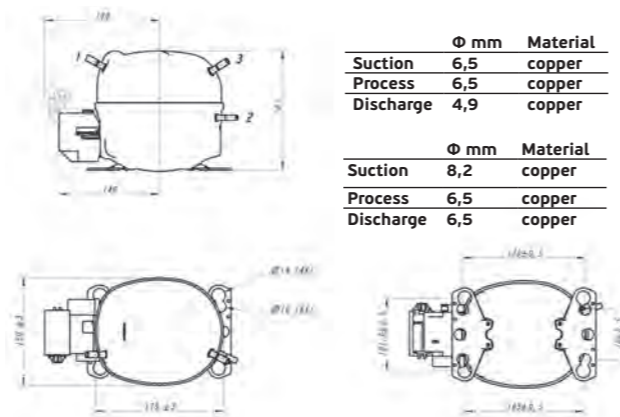
	∅ mm	material
S - Suction	9.80 - 9.87	Cu
P - Process	6.42 - 6.50	Cu
D - Discharge	6.42 - 6.50	Cu

DWG04 - NE / VNE SERIES Universal Base Plate



	∅ mm	material
S - Suction	8.03 - 8.10	Cu
P - Process	6.45 - 6.55	Cu
D - Discharge	6.45 - 6.55	Cu

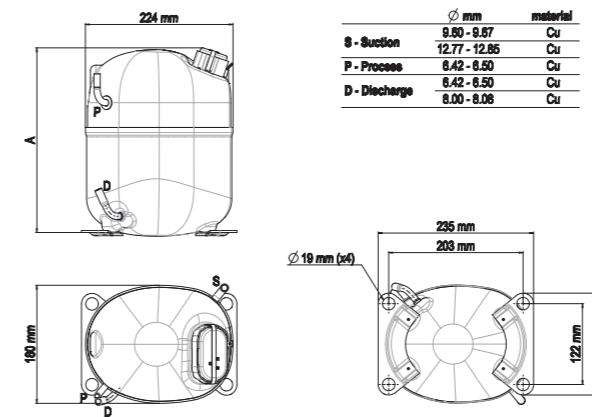
DWG10 - EM SERIES Universal Base Plate



	∅ mm	Material
Suction	6,5	copper
Process	6,5	copper
Discharge	4,9	copper

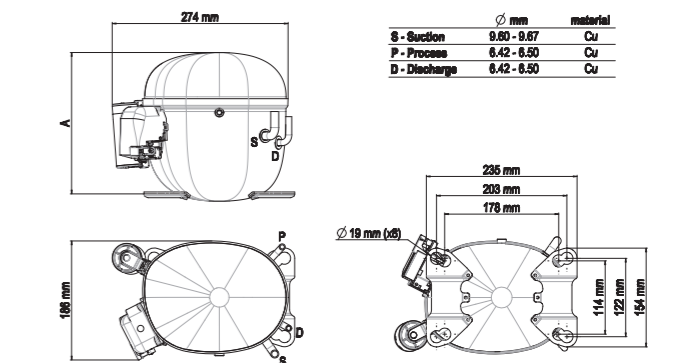
	∅ mm	Material
Suction	8,2	copper
Process	6,5	copper
Discharge	6,5	copper

DWG14 - NJ SERIES



	∅ mm	material
S - Suction	9.80 - 9.87	Cu
P - Process	12.77 - 12.85	Cu
	6.42 - 6.50	Cu
D - Discharge	6.42 - 6.50	Cu
	8.00 - 8.08	Cu

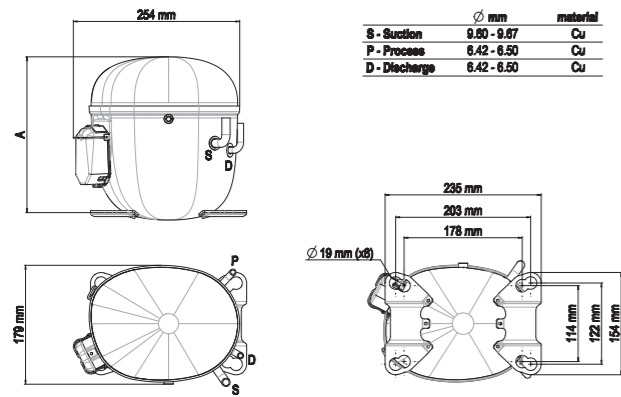
DWG16 - NT SERIES



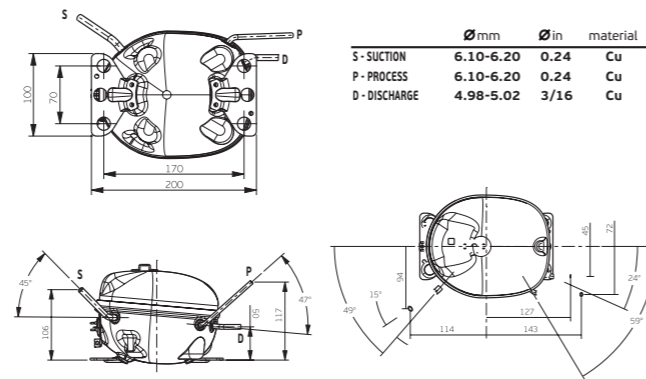
	∅ mm	material
S - Suction	9.80 - 9.87	Cu
P - Process	6.42 - 6.50	Cu
D - Discharge	6.42 - 6.50	Cu

EXTERNAL VIEWS

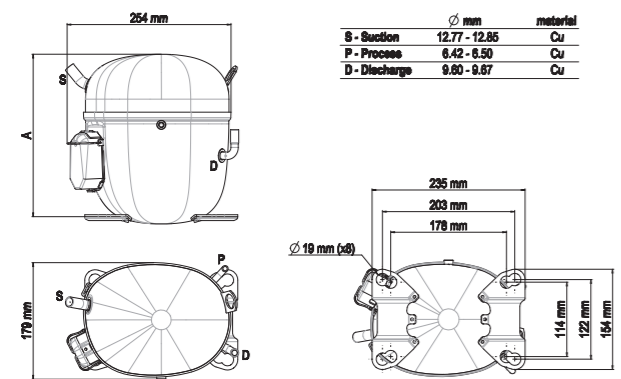
DWG17 - NT SERIES



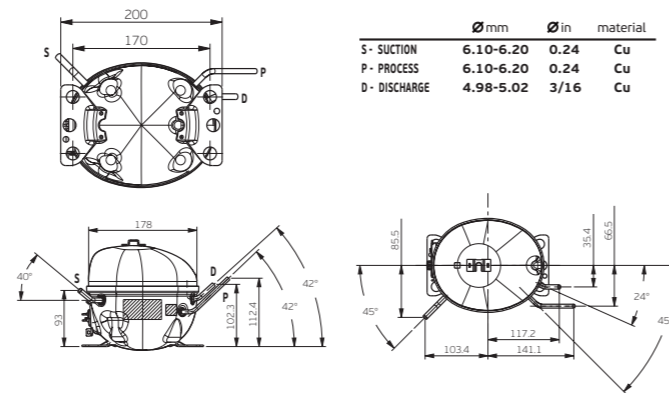
DWG22 - VES SERIES



DWG19 - NTU SERIES



DWG23 - VEM SERIES



<http://refrigerationclub.com/wiring-diagrams-videos-for-europe/>

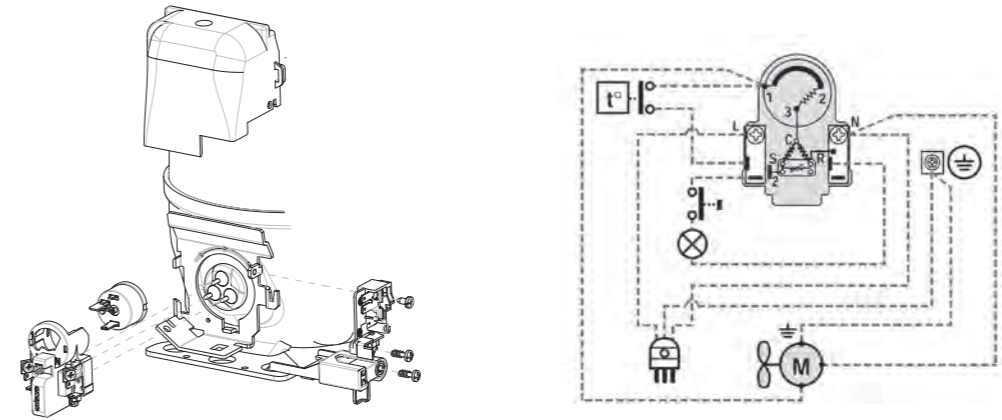


WIRING DIAGRAMS KEY

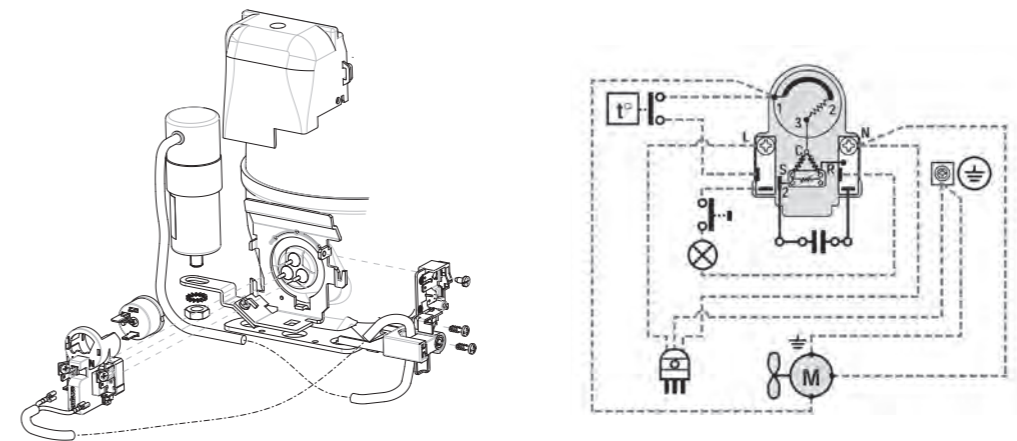
	OVERLOAD PROTECTOR		PTC START DEVICE`
	OVERLOAD PROTECTOR		INTEGRATED PTC DEVICE
	CURRENT START RELAY		CURRENT START RELAY WITH CAPACITOR CONNECTIONS
	3CR CURRENT START RELAY		3ARR3 START RELAY (VOLTAGE).
	RUN CAPACITOR		RUN CAPACITOR (MANDATORY - NOT SUPPLIED)
	OPTIONAL RUN CAPACITOR		START CAPACITOR
	FAN		PUSH BUTTON
	LAMP		SINGLE PHASE MOTOR
	3-PHASE MOTOR		THERMOSTAT
	LOW-HIGH PRESSURE SWITCH		PILOT CIRCUIT 24 OR 220 V
	EARTH CONNECTION		COMMON (INTERNAL OVERLOAD PROTECTOR)
	3-PHASE SUPPLY		START
	SINGLE PHASE SUPPLY		TERMINAL BLOCK
	COMMON		Br BROWN CABLE
	RUN		Bk BLACK CABLE
	Wh WHITE CABLE		Rd RED CABLE
	Bl BLUE CABLE		CONNECTIONS TO BE MADE BY THE CUSTOMER (NOT SUPPLIES)
	YG YELLOW-GREEN CABLE		
	CONNECTIONS SUPPLIED		

WIRING DIAGRAMS

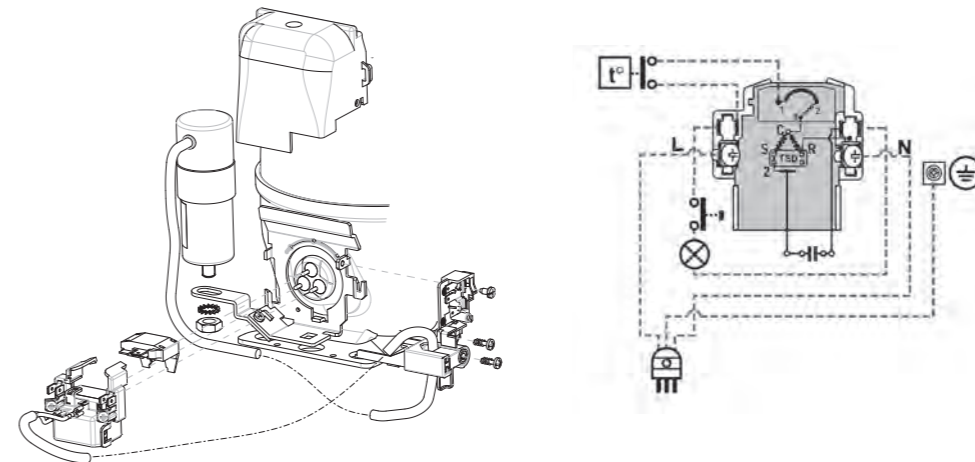
SM00 - EMT/NE SERIES RSIR PTC European Version



SM01 - EMT/NE SERIES RSCR PTC European Version

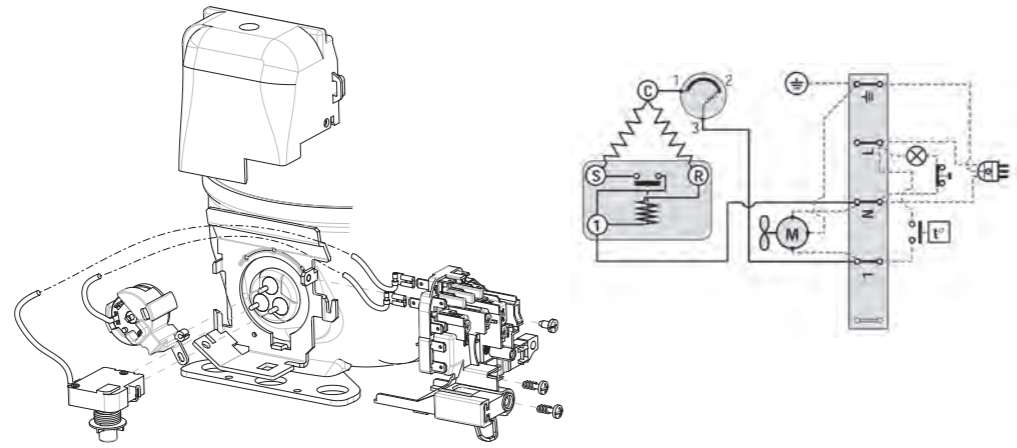


SM02 - EMT/NE SERIES RSCR TSD European Version

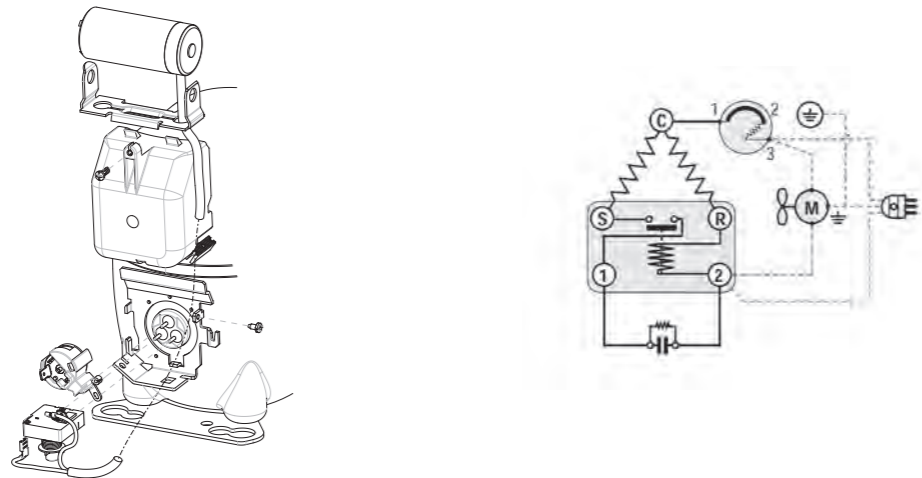


WIRING DIAGRAMS

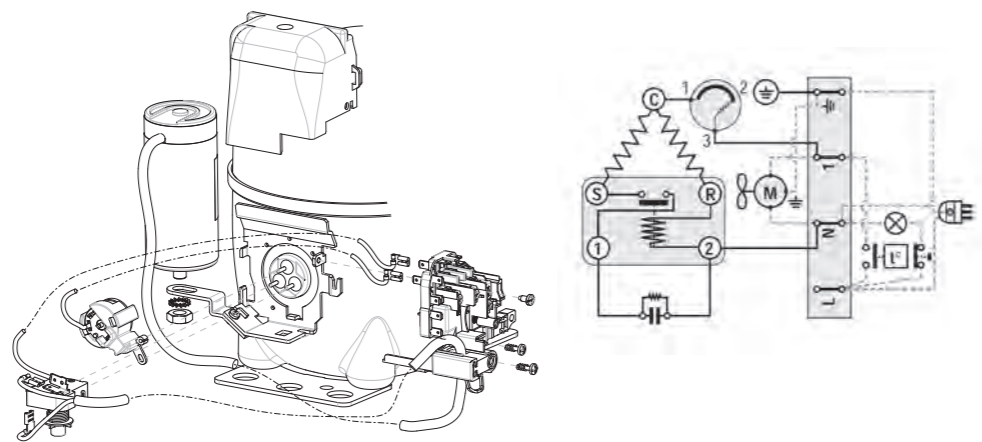
SM03 - EMT/NE SERIES RSIR Terminal Board & Start Device



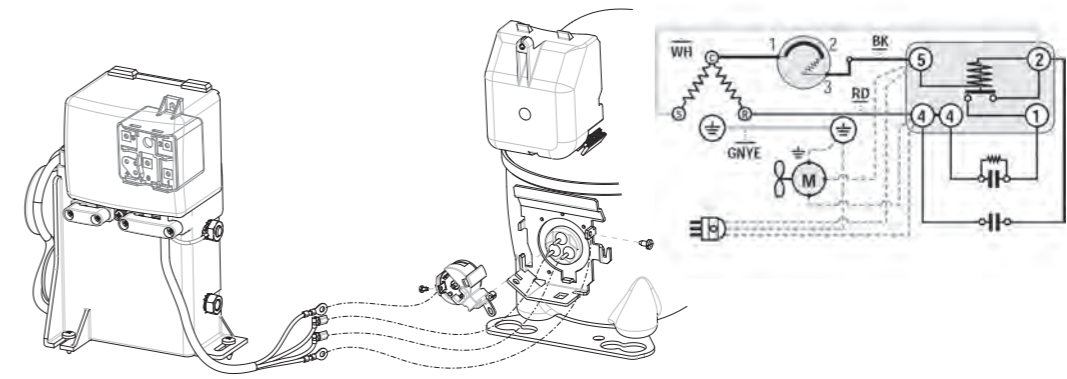
SM04 - EMT/NE SERIES CSIR American Version



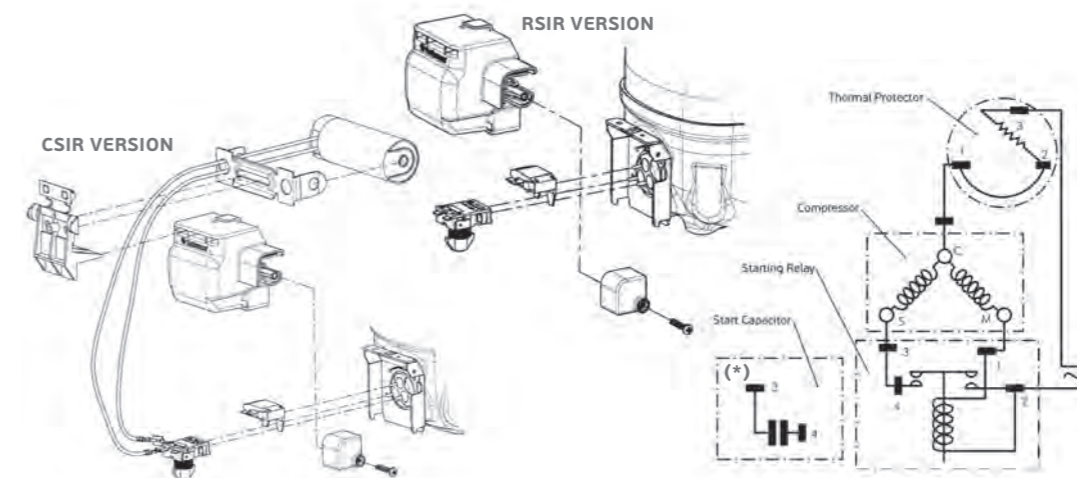
SM05 - EMT/NE SERIES CSIR Terminal Board & Start Device



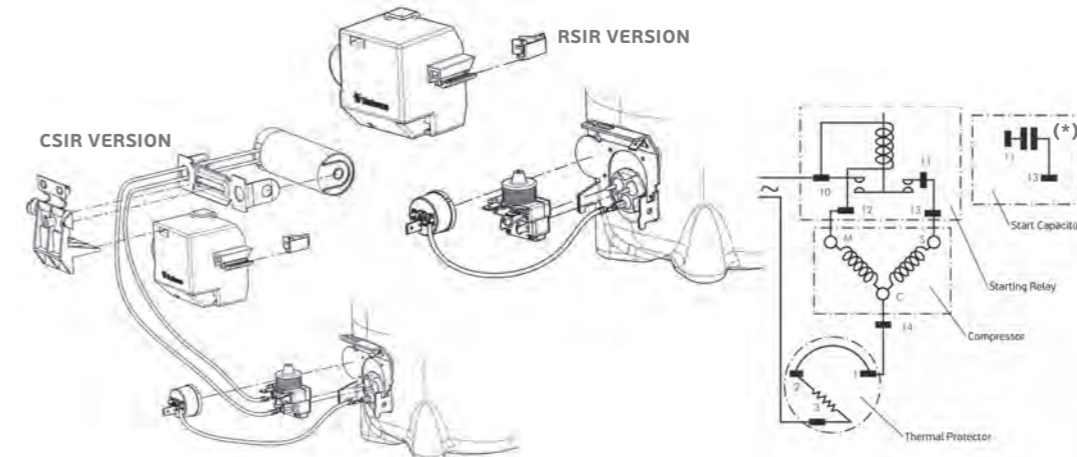
SM06 - NE SERIES CSR Box



SM07 - EM/EMI



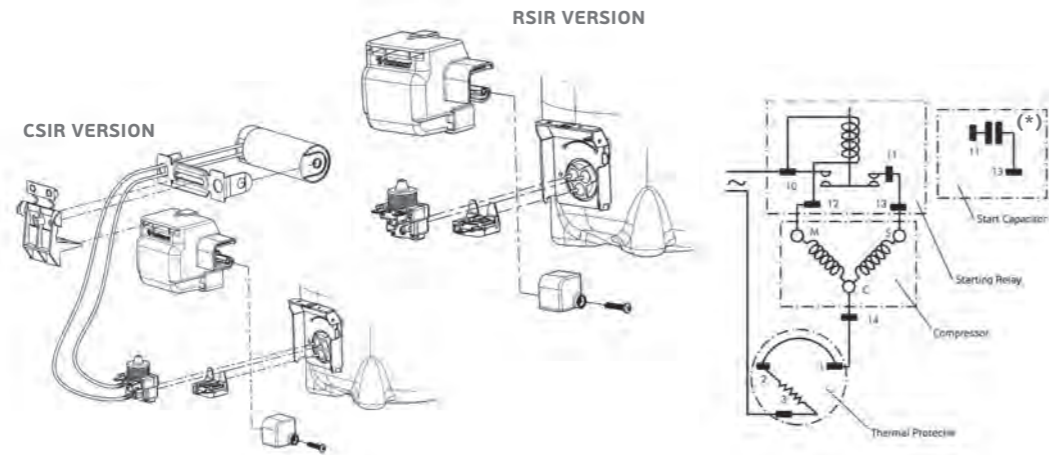
SM08 - F COMPRESSORS



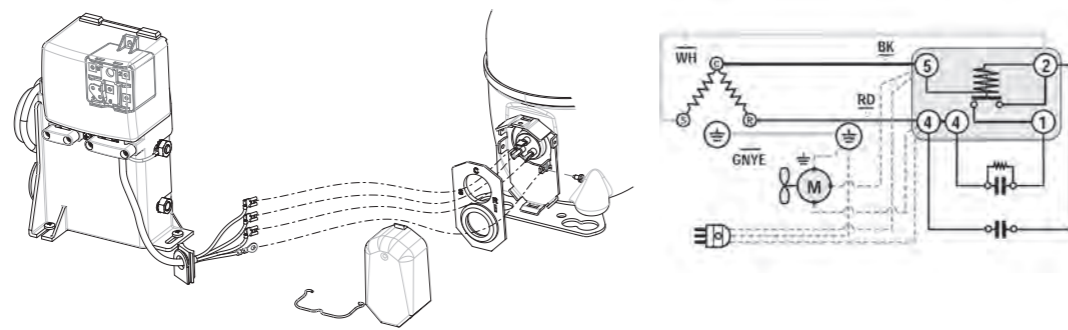
(* Valid only for CSIR version)

WIRING DIAGRAMS

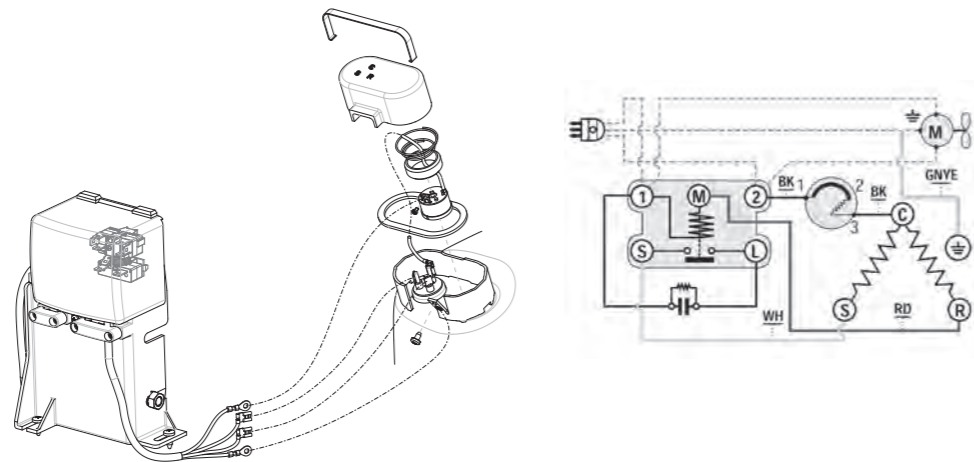
SM09 - EG



SM10 - NE CSR Box

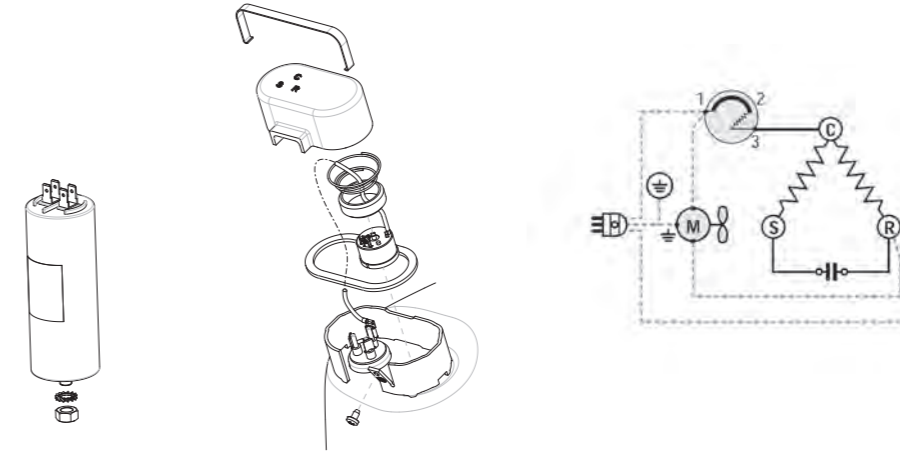


SM14 - NJ CSIR Box

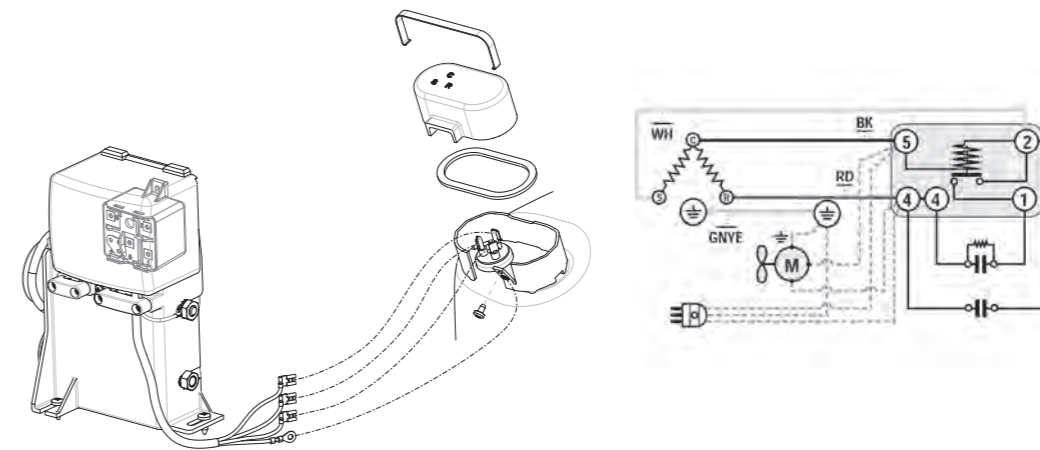


(* Valid only for CSIR version)

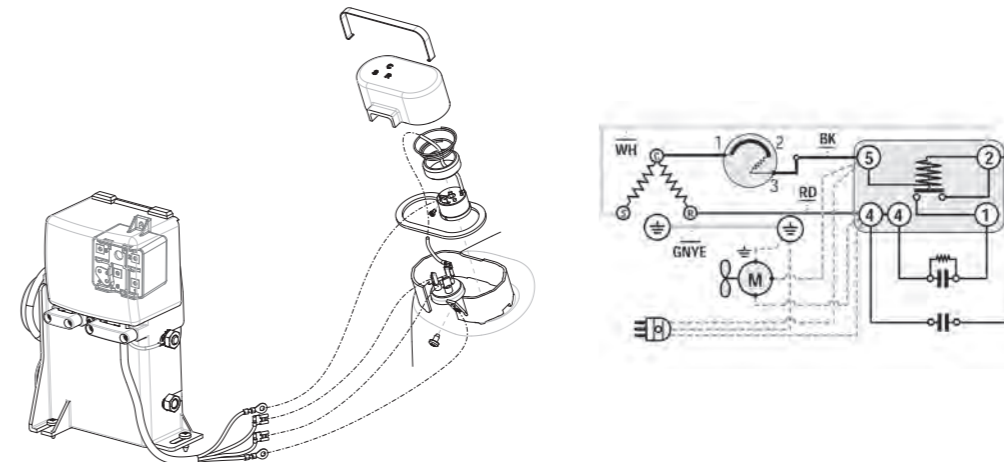
SM15 - NJ PSC



SM16 - NJ SERIES CSR Box (Internal Overload Protector)

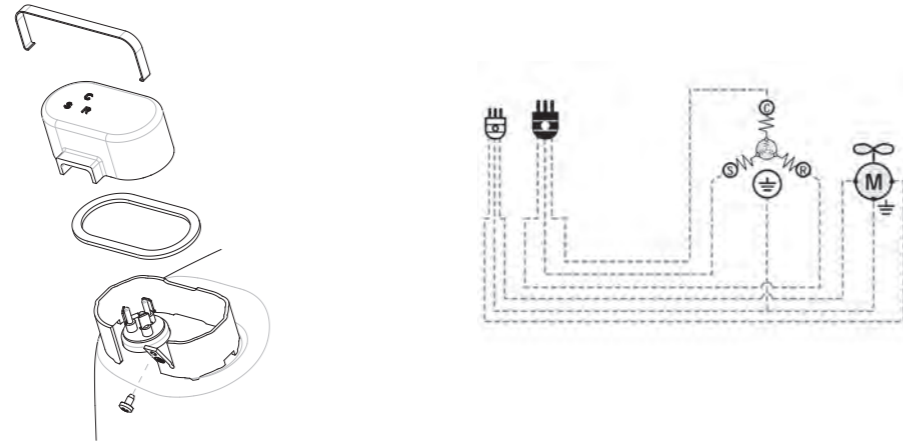


SM17 - NJ CSR Box (External Overload Protector)

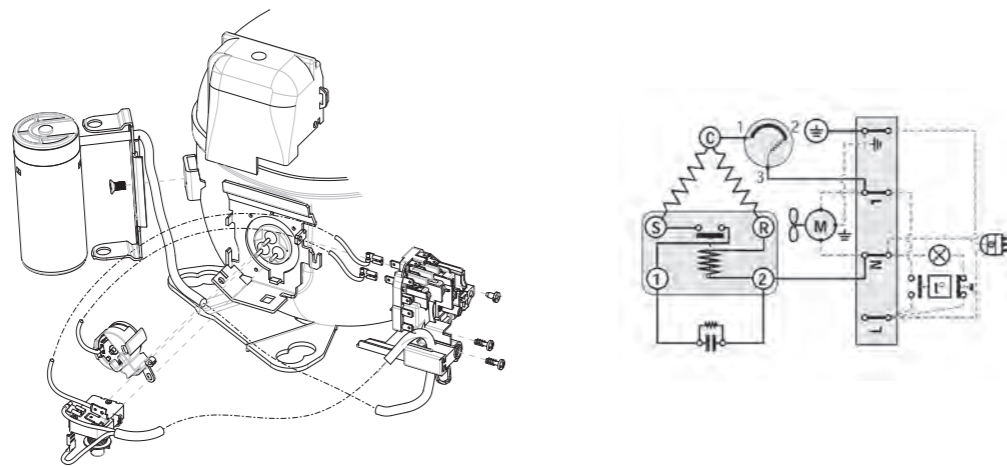


WIRING DIAGRAMS

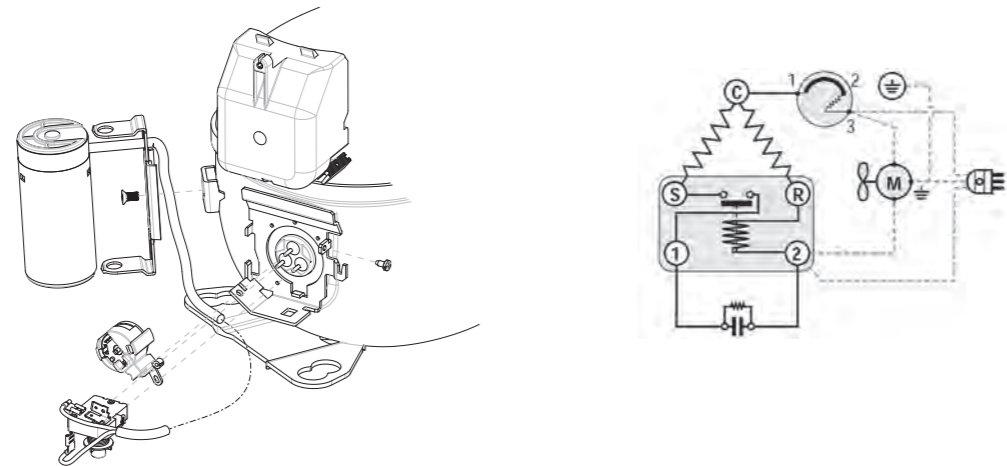
SM18 - NJ SERIES 3-Phase (Internal Overload Protector)



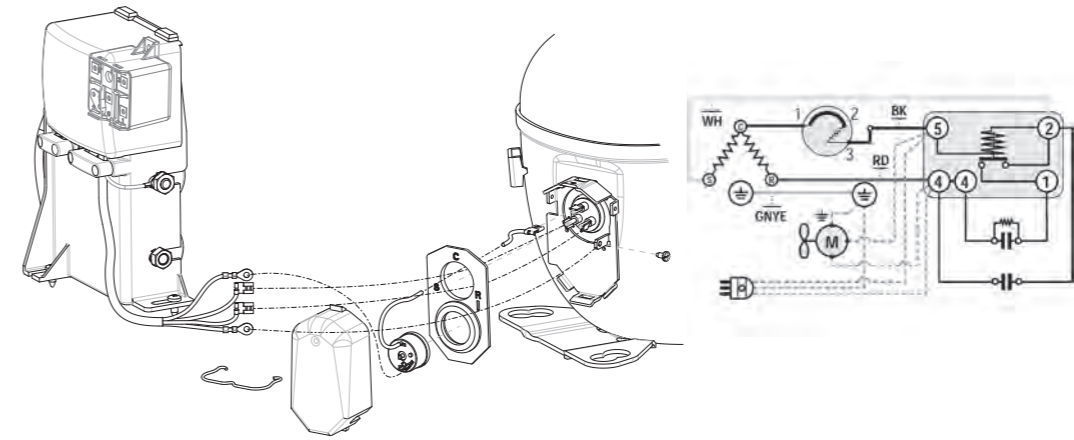
SM19 - NT SERIES CSIR Terminal Board



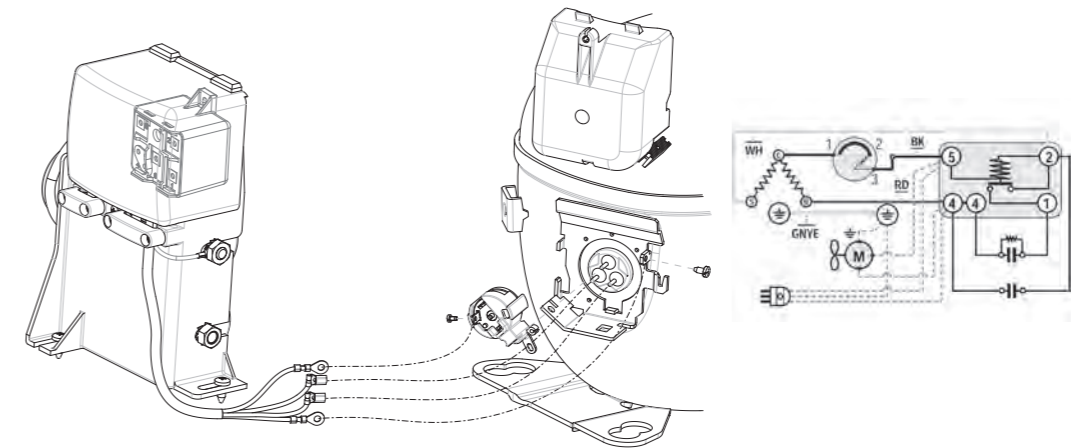
SM20 - NT SERIES CSIR – American Version



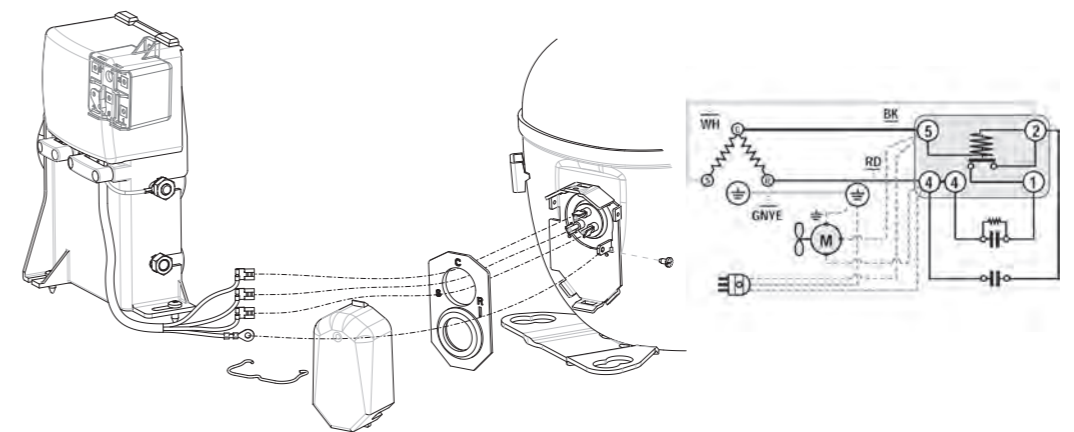
SM21 - NT SERIES CSR Box



SM23 - NT SERIES CSR Box

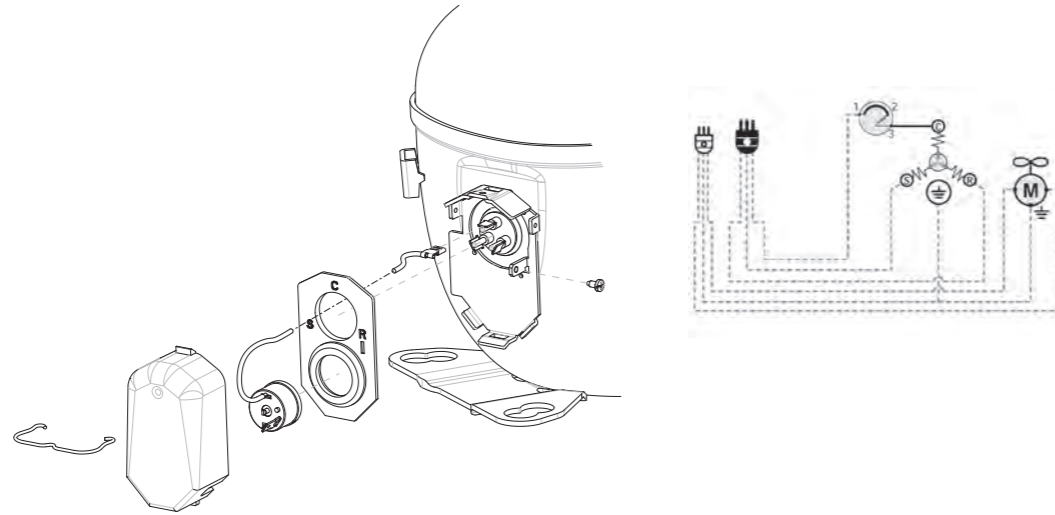


SM26 - NT SERIES CSR Box (Internal Overload Protector)

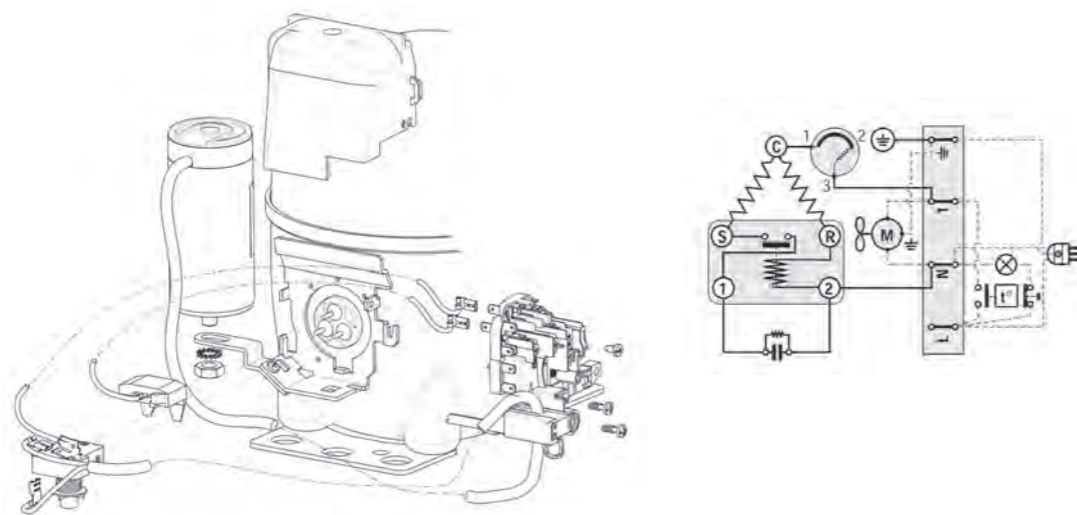


WIRING DIAGRAMS

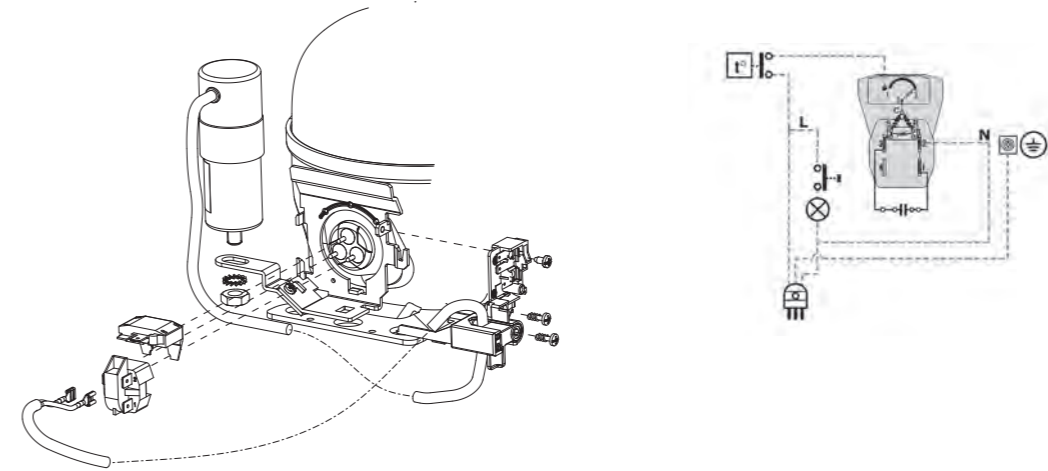
SM27 - NT SERIES 3-Phase (Internal + External Overload Protector)



SM29 - EMX SERIES CSIR TERMINAL BOARD & START DEVICE & 4TM

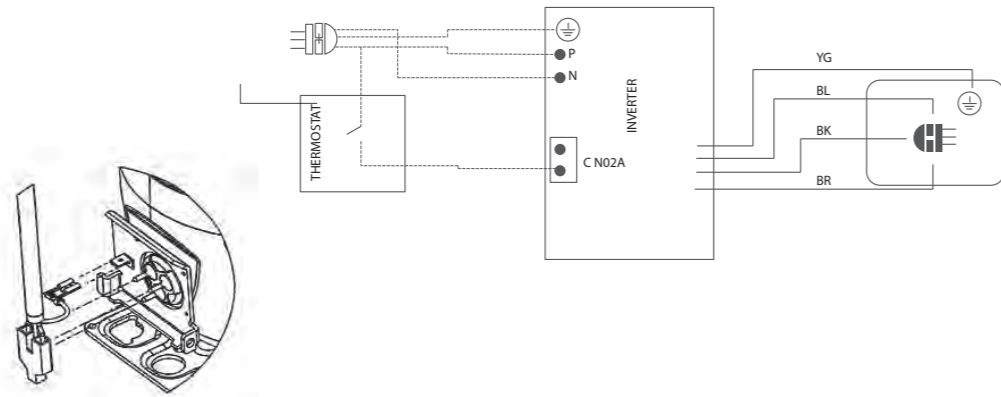


SM32 - EM RSCR PTC & 4TM

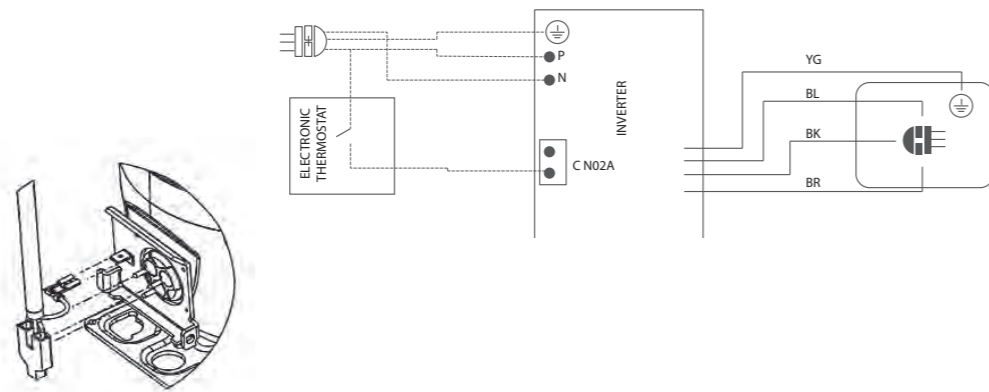


WIRING DIAGRAMS

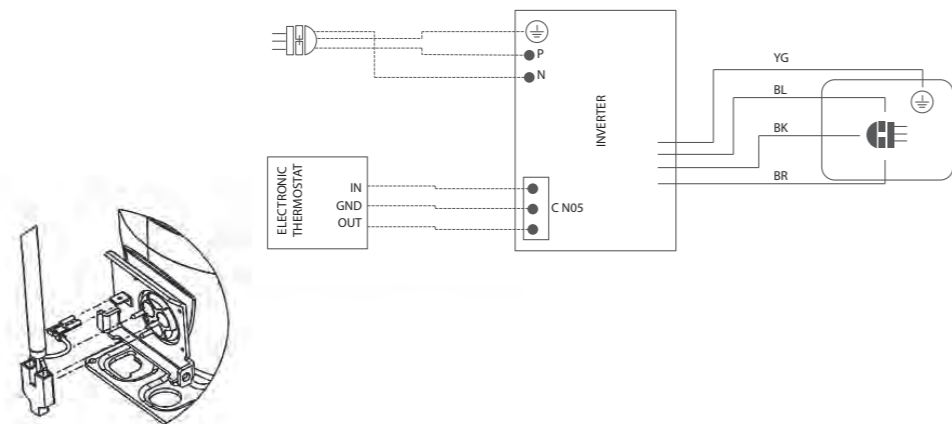
CON01 - VEMY6 / VEG (Drop-in)



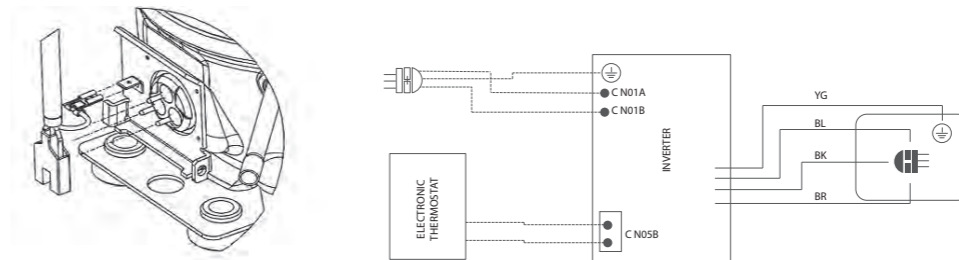
CON02 - VEM / VEG (Frequency)



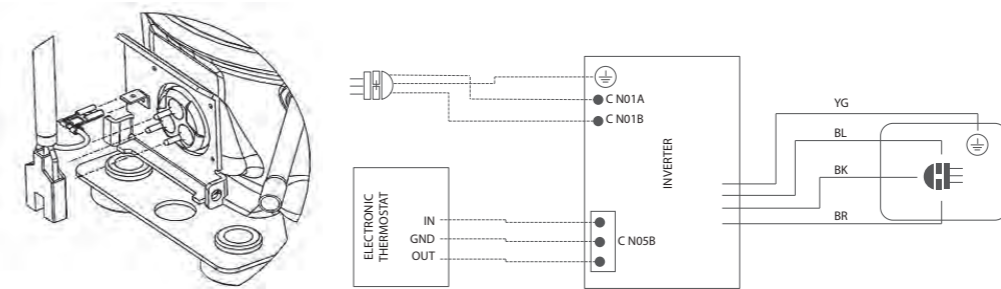
CON03 - VEMY6 / VEG (Serial)



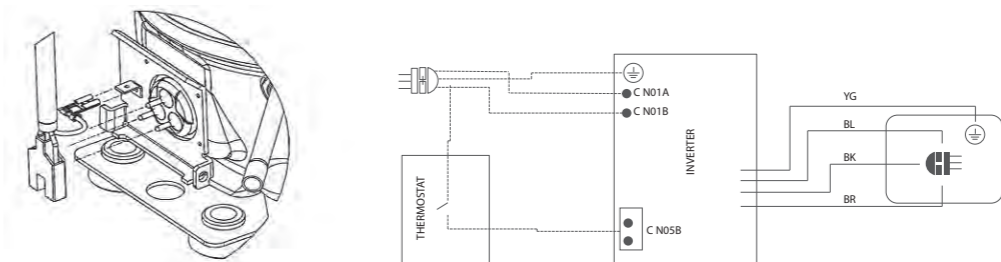
CON04 - VEM (Frequency)



CON05 - VEM (Serial)



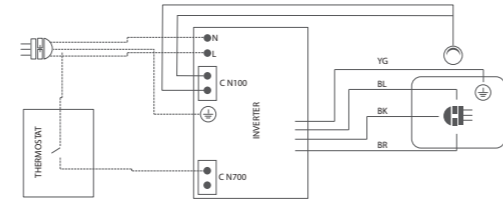
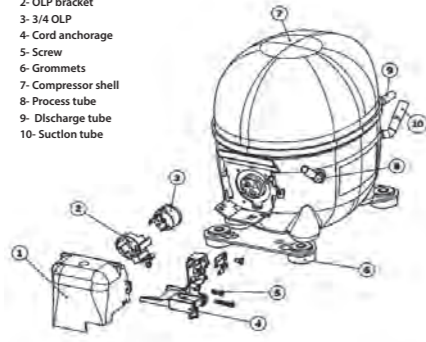
CON06 - VEM (Drop-in)



WIRING DIAGRAMS

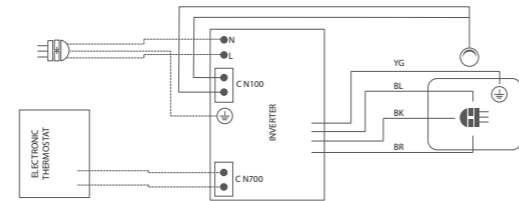
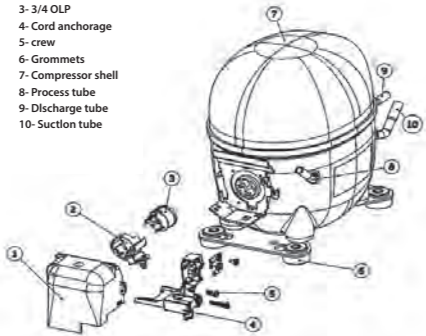
CON07 - VNE (Drop-in)

- 1- Fence cover
- 2- OLP bracket
- 3- 3/4 OLP
- 4- Cord anchorage
- 5- Screw
- 6- Grommets
- 7- Compressor shell
- 8- Process tube
- 9- Discharge tube
- 10- Suction tube



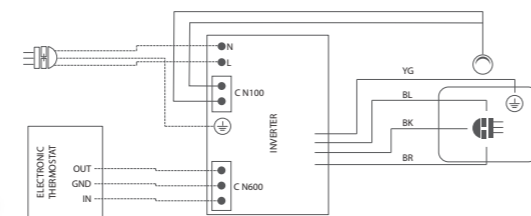
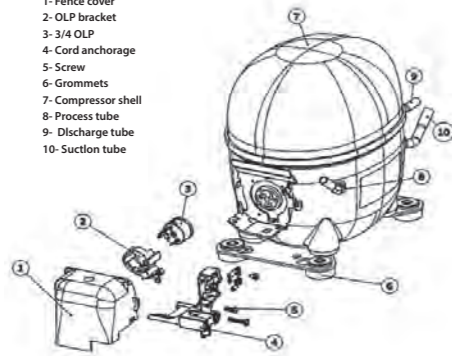
CON08 - VNE (Frequency)

- 1- Fence cover
- 2- OLP bracket
- 3- 3/4 OLP
- 4- Cord anchorage
- 5- crew
- 6- Grommets
- 7- Compressor shell
- 8- Process tube
- 9- Discharge tube
- 10- Suction tube

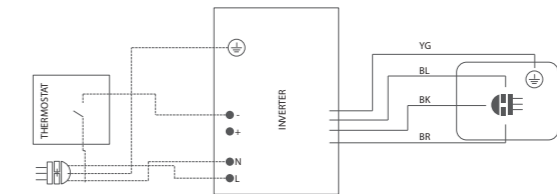
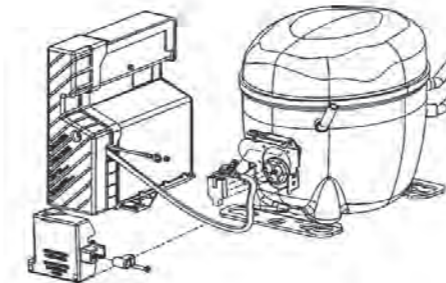


CON09 - VNE (Serial)

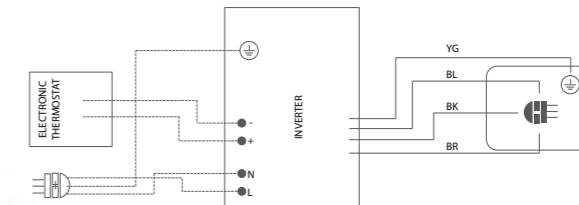
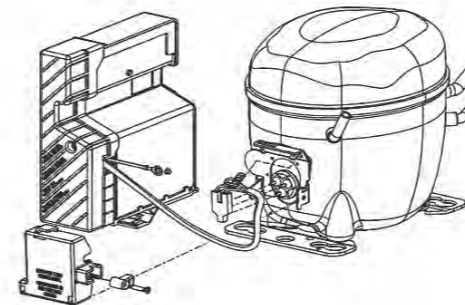
- 1- Fence cover
- 2- OLP bracket
- 3- 3/4 OLP
- 4- Cord anchorage
- 5- Screw
- 6- Grommets
- 7- Compressor shell
- 8- Process tube
- 9- Discharge tube
- 10- Suction tube



CON10 - VEG (Drop-in)



CON11 - VEG (Frequency)





www.embraco.com