

**Compressori ermetici L' UNITE' HERMETIQUE**  
**Hermetic compressor L' UNITE' HERMETIQUE**  
**L' UNITE' HERMETIQUE Hermetische Kompressoren**



codice Frigo System	modello model Modell	HP	cilindrata displac. hubraum (cm <sup>3</sup> )	olio oil Ölful. POE (cm <sup>3</sup> )	espans. expans. Expans.	resa - capacity - Leistung (Watt)						tipo mot. motor type Motortyp	Caratteristiche elettriche Electrical data Elektrische Daten			
						temp.evap.-evapor.temp.-Verdampfungtemp. (°C)							Tensione Voltage Spannung	Potenza ass. max Max power absorb. Leistungsaufn. (W)	FLA (A)	LRA (A)
						-35	-30	-25	-20	-15	-10					
UH0120006	THB1335Y	1/12	3,58	250	C	41	58	81	109	142	181	PTCSIR	220/1/50	84,7	0,53	7,25
UH0120041	THB1340Y	1/10	4,23	250	C	49	72	99	132	170	213	PTCSIR	220/1/50	93	0,59	9
UH0120076	THB1350Y	1/8	5,6	250	C	56	83	118	162	214	275	PTCSIR	220/1/50	108	0,71	9
UH0120111	THB1360Y	1/6	6,1	250	C	76	105	141	185	238	300	PTCSIR	220/1/50	129	0,88	11
UH0120146	AZ1320Y	1/15	2,95	270	C	19	32	48	69	95	125	PTCSIR	220/1/50	67,3	0,47	7,3
UH0120181	AZ1330Y	1/12	3,6	270	C	34	51	73	99	130	166	PTCSIR	220/1/50	81,7	0,51	6,9
UH0120216	AZ1335Y	1/10	4	250	C	41	58	81	109	142	181	PTCSIR	220/1/50	87,2	0,56	10
UH0120251	AZ1339Y	1/8	5	270	C	45	69	99	135	178	228	PTCSIR	220/1/50	102	0,72	10
UH0120286	AZ1348Y	1/6	5,6	250	C	59	83	116	158	209	271	PTCSIR	220/1/50	123	0,87	11
UH0120321	AZ1355Y	1/6	5,9	300	C	70	101	141	189	246	312	PTCSIR	220/1/50	127	0,87	11
UH0120356	AEZ1370Y	1/5	8,1	450	C	98	133	180	239	311	397	PTCSIR	220/1/50	172	1,19	11
UH0120391	AEZ1365Y	1/5	8,9	450	C	85	129	185	254	335	430	PTCSIR	220/1/50	181	1,20	10
UH0120426	AEZ1380Y	1/4	9,4	450	C	112	167	228	297	373	457	RSIR	220/1/50	232	1,85	10
UH0120461	AEZ2380Y	1/4	9,4	450	C/V							CSIR	220/1/50	227	1,78	12
UH0120496	AE1410Y	1/4	12,05	450	C	110	175	258	360	481	623	RSIR	220/1/50	239	1,83	14
UH0120531	CAE2410Y	1/4	12,05	450	C/V							CSIR	220/1/50	239	1,76	11
UH0120566	AE1412Y	1/3	14,15	450	C	115	201	304	426	567	728	RSIR	220/1/50	273	1,82	14
UH0120601	CAE2412Y	1/3	14,15	450	C/V							CSIR	220/1/50	289	1,96	13
UH0120636	CAE2414Y	1/3	16	450	C/V	121	188	275	382	515	676	CSIR	220/1/50	334	2,20	17

- Resa frigorifera:

Temperatura aria ambiente +32°C  
 Temperatura di condensazione +45°C  
 Surriscaldamento 11,1°C (MBP/MHBP)  
 Temperatura aspirazione 4,4°C (LBP)  
 Sottoraffreddamento 8,3°C (MBP/MHBO) (LBP)

- Potenza assorbita massima riferita a:

Espansione -10°C (MBP/MHBP)  
 -23°C (LBP)  
 Condensazione +55°C

- FLA - Corrente di funzionamento riferita a:

Espansione -10°C (MBP/MHBP)  
 -23°C (LBP)  
 Condensazione +55°C

- LRA - Corrente a rotore bloccato

- Refrigerating capacity:

Ambient temperature +32°C  
 Condensing temperature +45°C  
 Superheating 11,1°C (MBP/MHBP)  
 Return gas temperature 4,4°C (LBP)  
 Subcooling 8,3°C (MBP/MHBP) (LBP)

- Maximum absorbed power referring to:

Evaporation -10°C (MBP/MHBP)  
 -23°C (LBP)  
 Condensing +55°C

- FLA - Working current referring to:

Evaporation -10°C (MBP/MHBP)  
 -23°C (LBP)  
 Condensing +55°C

LRA - Locked rotor current

- Kühlleistung:

Raumtemperatur +32°C  
 Kondensationtemperatur +45°C  
 Überhitzung 11,1°C (MBP/MHBP)  
 Ansauggasttemperatur 4,4°C (LBP)  
 Unterkühlung 8,3°C (MBP/MHBP) (LBP)

- Elektrische daten:

Verdampfungs -10°C (MBP/MHBP)  
 -23°C (LBP)  
 Kondensation +55°C

- FLA

Verdampfungs -10°C (MBP/MHBP)  
 -23°C (LBP)

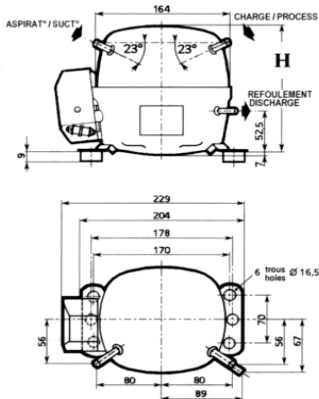
Kondensation +55°C

LRA - Anlaufstrom

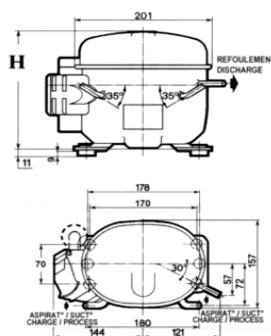
Compressori ermetici L' UNITE' HERMETIQUE  
 Hermetic compressor L' UNITE' HERMETIQUE  
 L' UNITE' HERMETIQUE Hermetische Kompressoren



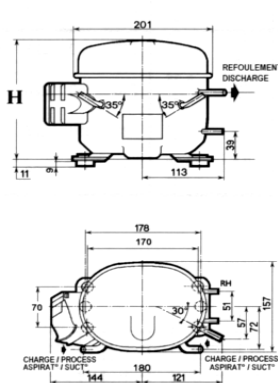
**AZ n°1**



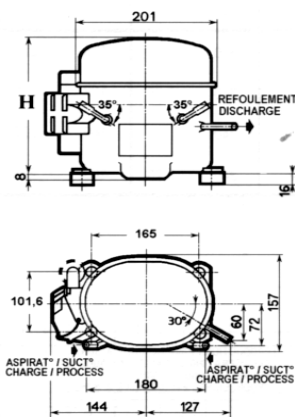
**AEZ n°2**



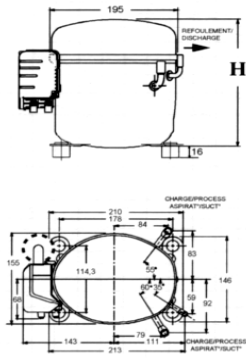
**AEZ n°3  
 con C.C.  
 con R.C.**



**AE / CAE n°4**



**CAE n°5**



**THB n°6**

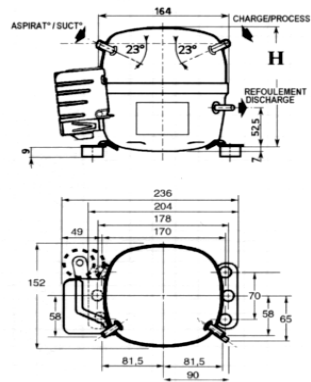


	fig. n°	H
THB1335Y	6	151
THB1340Y	6	164
THB1350Y	6	164
THB1360Y	6	169
AZ1320Y	1	151
AZ1330Y	1	151
AZ1335Y	1	164
AZ1339Y	1	164
AZ1348Y	1	169
AZ1355Y	1	169
AEZ1365Y	2/3	188
AEZ1370Y	2/3	188
AEZ1380Y	2/3	202
AEZ2380Y	2/3	202
AE1410Y	4	194
CAE2410Y	4	194
AE1412Y	4	194
CAE2412Y	4	194
CAE2414Y	5	212