

LG Refrigeration Compressors



Refrigerants:

R 134a

R 600a



***Hermetic
Compressors***

Compressor Name Code:

Example:



MA 69 L A E G

Series name

- MA
- MB
- MC
- MQ

Displacement

Ex) 69 = 6.9cc/rev.

Application category

- L : R134a, LBP
- H : R134a, HBP
- N : R600a, LBP

Improvement order

- A
- B
- C
- D
- E
- F
- H,K,J,M,N – AL-Wire

Motor type

- G : RSIR, PTC
- F : CSIR, PTC
- M : RSCR, PTC
- H : CSR, PTC
- P : CSIR, RELAY

Rated voltage & Frequency

- A : 110V 50/60Hz
- B : 220V 50/60Hz
- C : 115V 60Hz
- D : 220V 60Hz
- E : 220-240V 50Hz
- F : 127V 60Hz
- J : 220V 50Hz
- K : 110V 60Hz
- P : 110V 50Hz
- Q : 110-115V 60Hz
- S : 200-220V 50Hz
- T : 220-240V 50Hz
- U : 110-127V 60Hz

Serial Number:

69 LAEG 9 11 007201 EJ

Displacement

Model Name

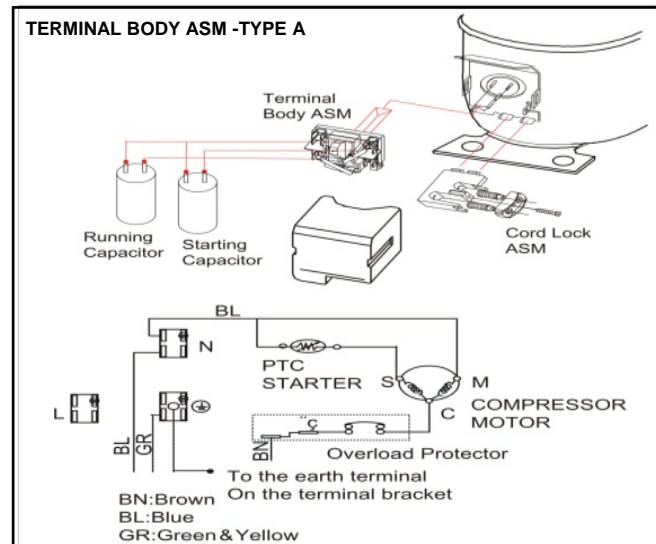
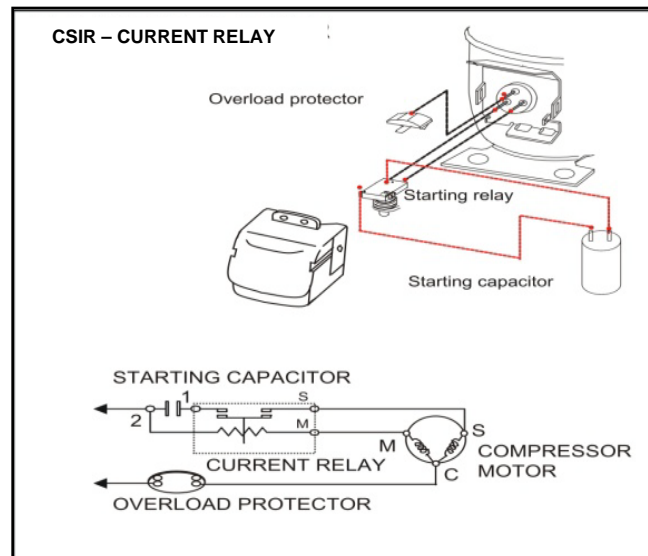
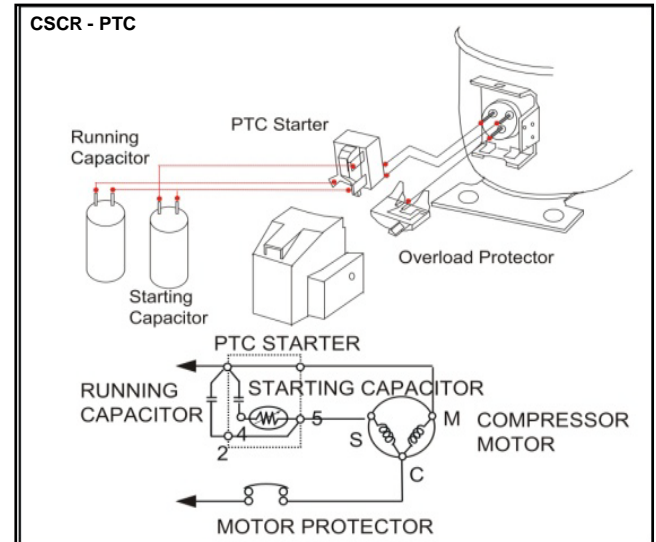
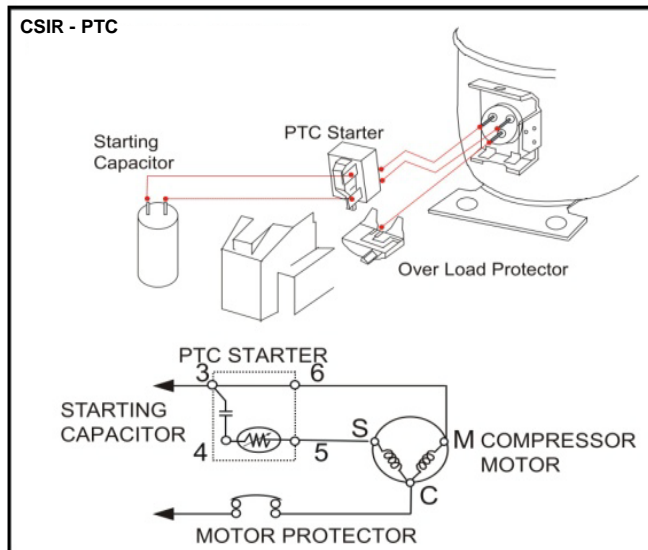
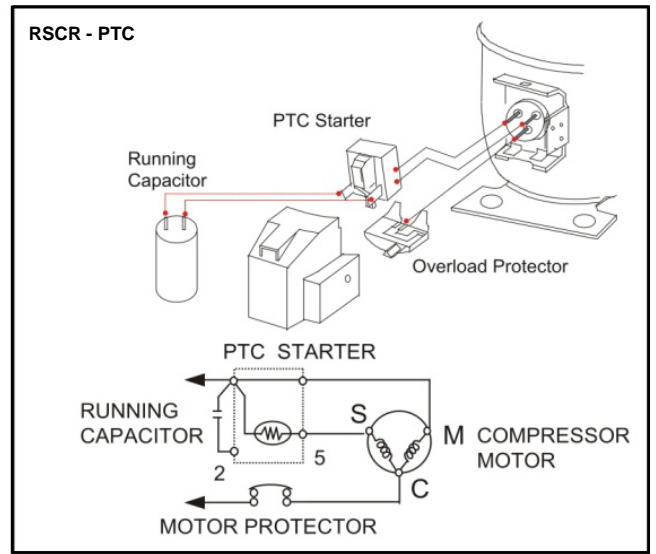
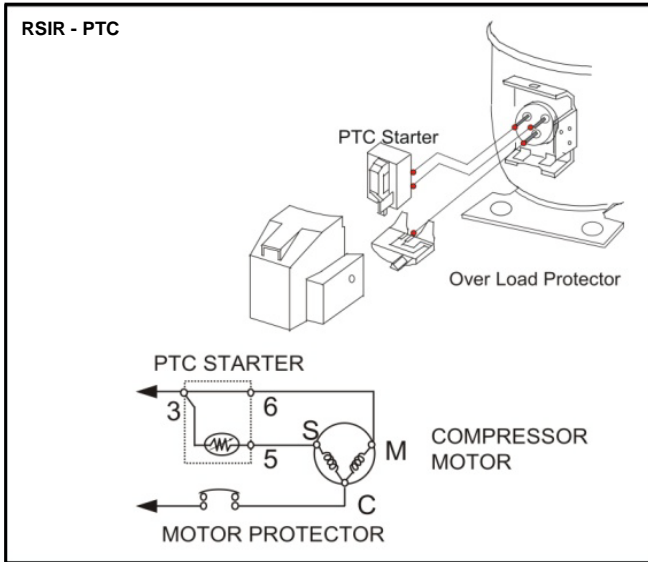
Year Of Mfg.

Buyer Code

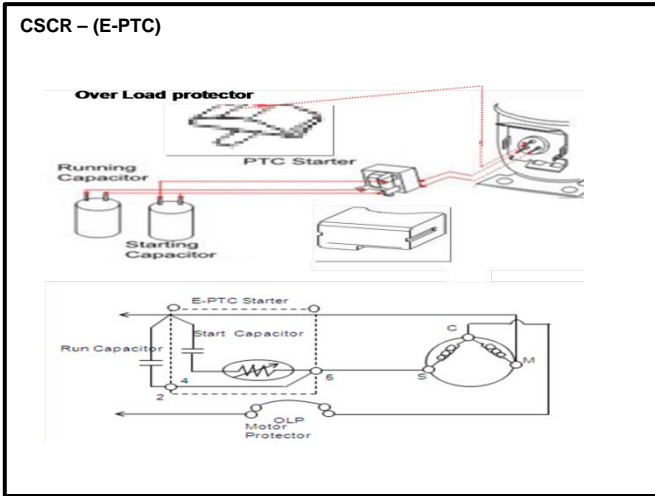
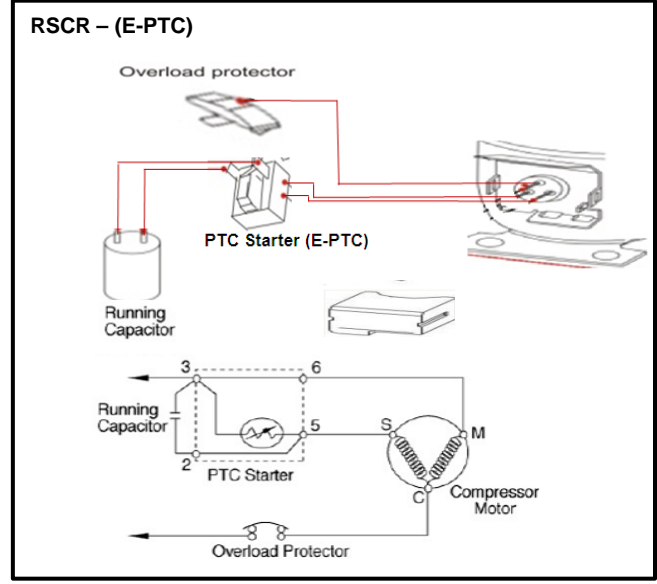
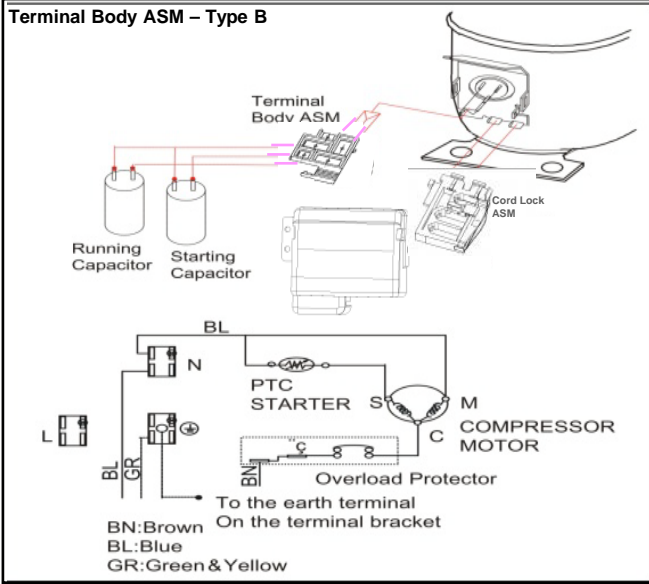
Serial Number

Month of Mfg.

Electrical Wiring Diagrams :



Electrical Wiring Diagrams :



Motor Types

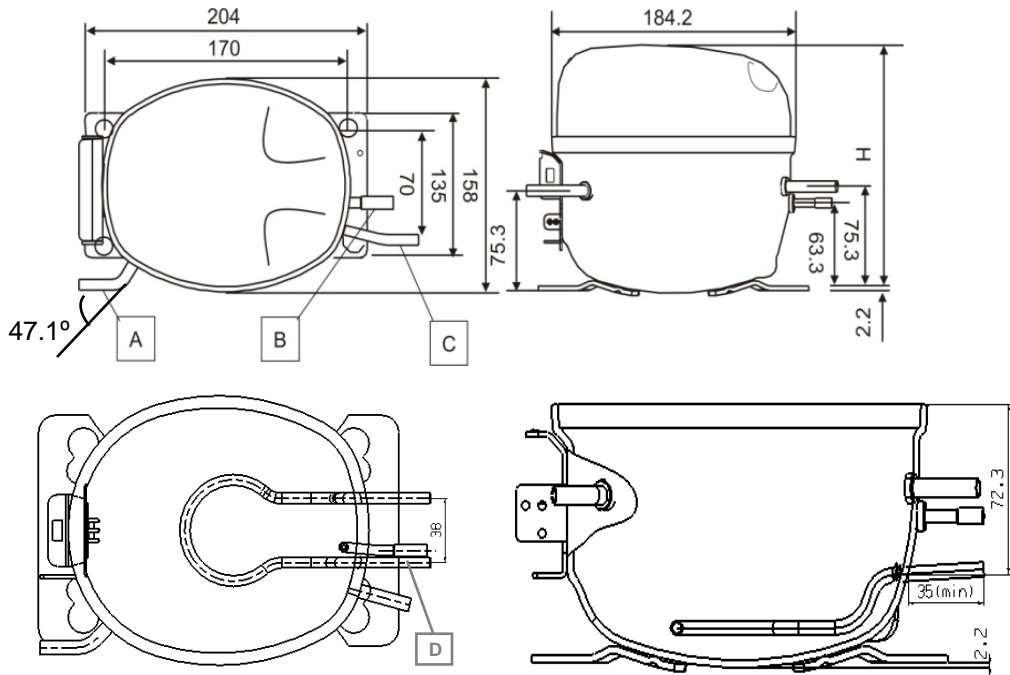
Motor Type	Overload Protector	Starting Device		Capacitors	
		PTC Starter	Current Relay	Starting	Running
RSIR	Yes	Yes			
RSCR	Yes	Yes			Yes
CSIR	Yes	Yes	Yes	Yes	
CSCR	Yes	Yes		Yes	Yes

Motor Starting Torque Classification

Type	Description
LST	Low Starting Torque For RSIR/RSCR motor in LBP / HBP model Suitable for capillary application
HST	High Starting Torque For CSIR/ CSCR motor in LBP / HBP model Suitable for expansion valve application

Compressor Mounting Details:

MA/MC/MQ



Compressor Pipe Dimensions:

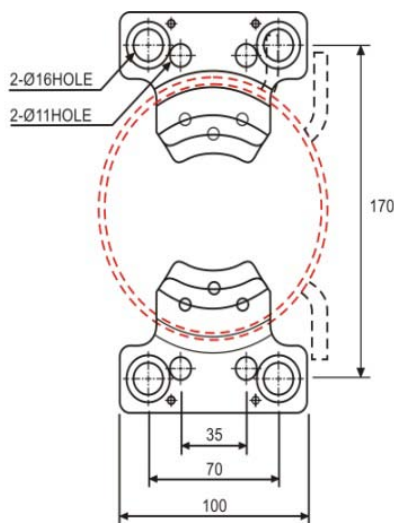
Pipe	OD (mm)	ID (mm)	T(mm)	Material	Remarks
Suction (A)	7.94	6.54	0.7	copper	Suction Pipe bend as per the customer requirement
		6.10	0.9	copper	
Discharge (B)	6.7	5.00	0.85	copper	
Process (C)	7.94	6.54	0.7	copper	
		6.10	0.9	copper	
Oil Cooling (D)	6.35	4.95	0.7	copper	

Compressor Height:

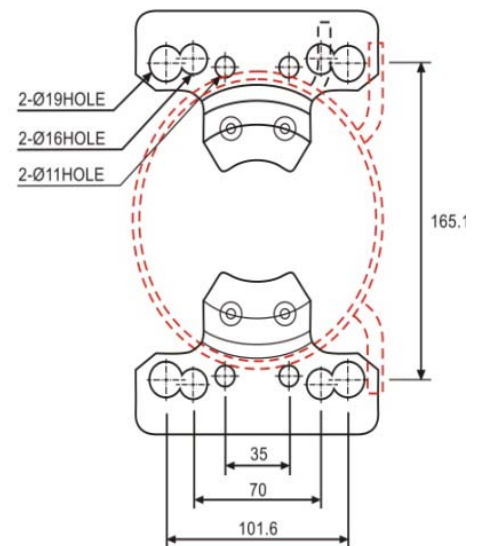
Series	Height (H) (mm)
MA42/45/53	172
MA57/62/69/72/88 MA42LH*/MA53LH*/ MA45LH*	177
MC53/57/ MA62LH*/ MA69LH* / MA72LH*	180
MQ88/98	

Mounting Bracket:

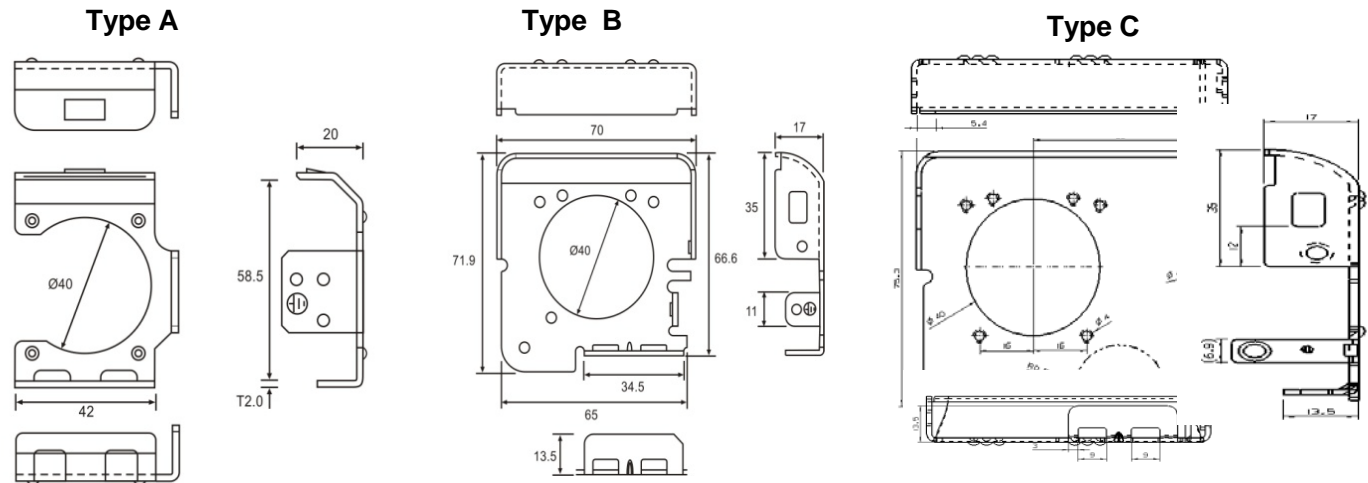
Type A



Type B



Terminal Protector:



Mounting Accessories:

Type	Grommet	Sleeve Bolt
4A (10) type 		
5A type 		
7A type 		
4A snap on type 		

* LGEIL can accept no responsibility for possible errors in catalogues. LGEIL reserves the right to alter its products without notice. This also applies to products already on order provided that such alterations can be made without sub sequential changes being necessary in specifications already agreed.

R600a - Performance data sheet:

Application	Voltage (V)	Freq (Hz)	Model	Displacement (CC)	PERFORMANCE (ASHRAE 23.3°C/54.4°C @ 50 Hz)						PERFORMANCE (CECOMAF -25°C/55°C @ 50 Hz)						ELECTRICAL PARTS				OIL		Cooling Type	Compressor Height (mm)	Net Weight (kg)				
					Cooling Capacity			Input Power (W)	COP W/W	EER Btu/Wh	kcal/h	W	Btu/h	kcal/h	W	Btu/h	Input Power (W)	COP W/W	EER Btu/Wh	Motor Type	Starting Device (PTC)	Motor Protector (OLP)				Capacitor		Viscosity (cSt)	Qty (cc)
					kcal/h	W	Btu/h																			HP	Starting (µF Surge Voltage)		
LD	220	50	MQ98NAEH	9.8	150	174	596	0.234	100.0	1.7	5.96	112.5	131	447	97	1.3	4.6	CSQR-PTC	P330MB	4TM149NFB	30/300	5/400	10	220	ST	180	9.5		
			MQ98NEJH	9.8	150	174	596	0.234	100.0	1.7	5.96	112.5	131	447	97	1.3	4.6	CSQR-EPTC	P7HTM330MB3	4TM149NFB	30/300	5/400	10	220	ST	180	9.5		
LD	220-240	50	MQ98NAEM	9.8	150	174	596	0.234	94.5	1.8	6.30	112.5	131	447	92	1.4	4.9	RSQR-PTC	QP2-33MD2	4TM149NFB	-	5/400	10	220	ST	180	9.5		
			MQ98NAEM	9.0	141	164	560	0.220	89.0	1.8	6.29	106	123	420	86	1.4	4.9	RSQR-EPTC	P7HTM470MD2	4TM149NFB	-	5/400	10	220	ST	180	9.5		
LD	220-240	50	MQ98NAEH	9.0	141	164	560	0.220	94.0	1.7	5.96	106	123	420	91	1.3	4.6	CSQR-EPTC	P7HTM330MB3	4TM149NFB	30/300	5/400	10	220	ST	180	9.5		
			MQ92NAEM	6.2	88.6	103	352	0.138	61.7	1.7	5.70	66	77	264	60	1.3	4.4	RSQR-EPTC	P7HTM470MD2	4TM134KFB	-	5/400	10	220	ST	180	9.5		
			MB82NAEM	8.2	123	143	488	0.192	89.0	1.6	5.49	92.25	107	366	86	1.2	4.2	RSQR-PTC	220MD2	4TM149NFB	-	5/400	10	220	ST	177	9.0		

Note: ST: Static Cooled, OC: Oil Cooled, FC - Fan Cooled.

Conversions:

- 1 Watt = 3.41 Btu/hr
- 1 Watt = 0.86 Kcal/hr
- 1 Kcal/hr = 3.97 Btu/hr
- 1 cu.ft = 28.32 liters

Applications:

Low Back pressure (LBP):

These models are used to work in low evaporating temperature ranges , these are suitable for commercial refrigeration , deep freezers and house hold refrigerators as well.

- Deep freezer
- Refrigerator
- Ice cube Machine
- Laboratory Appliance
- Dehumidifier

Compressor Selection Guide:

Refrigerator:

Application	Capa (L)	Compressor
DC	170-190	MA42LFJG/ MA42LHJG/ MA42LJJG/ MA42LMJG
FF	210-230	MA53LBJG MA53LHJG
	280	MA57LBJG/ MA57LHJG
	300-350	MA62LBJG/MA62LHJG
	390	MA69LAEG/MA69LHEG
	400	MA69LAEP
	360-450	MA72LBJG/MA72LHEG

Deep Freezer:

Capa (L)	Compressor
70-80	MA42LFJG / MA42LMJG/ MA42LHJG / MA42LJJG
250	MA57LBJG / MA57LHJG / MA62LBJG / MA62LHJG
300	MA69LAEP
350	MA72LAEP
400	MA88LAEP

HBP Applications:

These models are suitable to work under the conditions exposed to high evaporating temperature ranges. These type of compressors are suitable for the applications such as dehumidifiers.

- Beverage Cooler/Bottle Cooler
- Panel Cooler
- Water Chiller
- Refrigerated Air Dryer
- Milk Cooler

Compressor Selection Guide:

Application	Capa	Compressor
Water Cooler	20 LPH	MA53HAEF
Bottle Cooler	100-120 Ltrs	MA53HAEF
	150-200 Ltrs	MA62HAEG
	220-250 Ltrs	MA72HAEP / MA88HAEP
Visi Cooler	110 Ltrs (2 Case)	MA53HAEF
	150 Ltrs (4 Case)	MA62HAEG
	250 Ltrs (7 Case)	MA72HAEP / MA88HAEP

Applications:

Evaporating Temperature Range

LBP	-30°C to -5°C
HBP	-5°C to +15°C

Oil types:

All the compressors are charged with moisture free oil.

OIL Types

R 134a	Polyole Ester Oil
R 600a	Mineral Oil

Safety :

WARNING



Install the refrigerant, lubricant oil and electrical component (Capacitor and controller) specified by compressor manufacturer

It can cause fire or electrical shock



Connect the electrical wiring correctly in accordance with manufacturer's instruction.

It can cause fire or electrical shock



Compressor must be grounded whenever power is supplied.

It can cause electrical shock



Before servicing, always remove the power plug from the outlet.

It can cause electrical shock



Before welding, always remove refrigerant in the compressor.

Do not operate compressor in the air or vacuum status.

It can cause explosion.



Do not touch the compressor with bare hands during operation or after stopping instantly.

It can cause get burnt.

Safety Approval:



VDE approved model



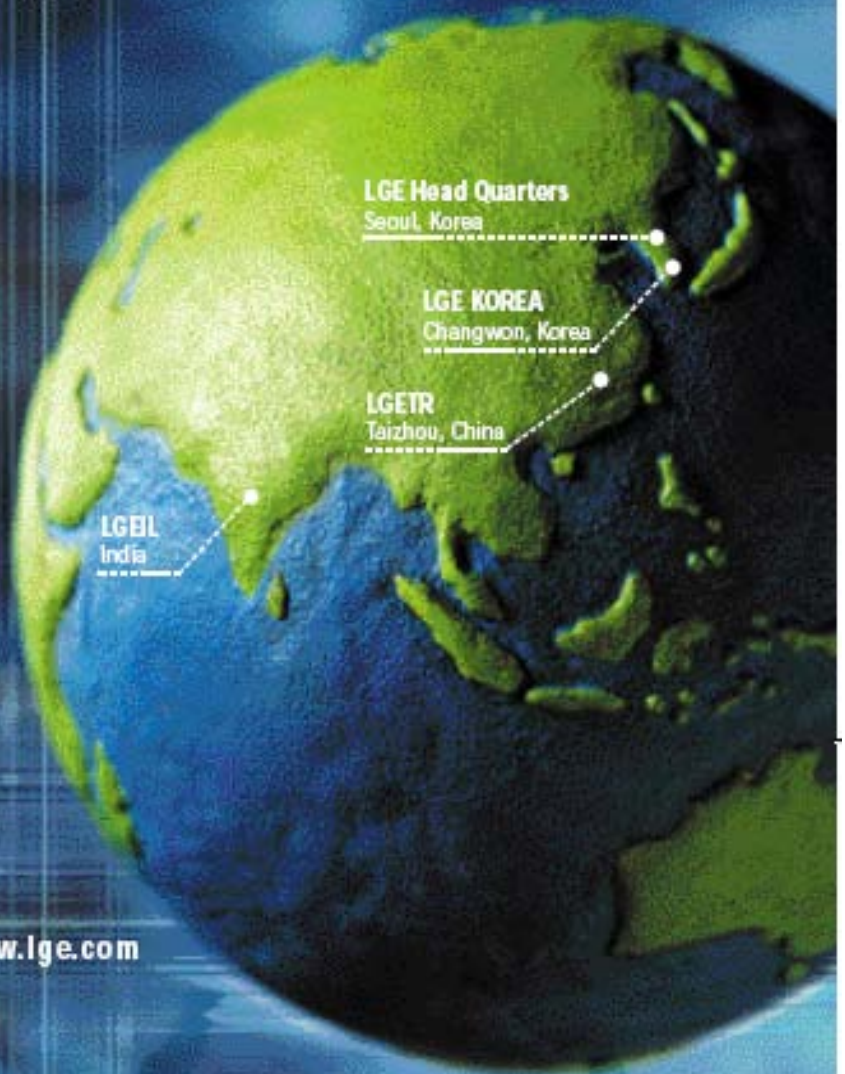
CE approved model



TUV approved model

Life's Good

Manufacturing Plants



<http://www.lge.com>

☐ LGE Head Quarters, Korea

LG twin Tower, Yoido-Dong, Yongsungpo-Gu, Seoul,
150-721, Korea
TEL : +82-2-3777-7830-8
FAX : +82-2-3777-5346

☐ LGE Changwon Plant, Korea

391-2, Gaeumjung-dong, Changwon-city, Gyeongnam, 641-711, Korea
TEL : +82-55-260-3574-5
FAX : +82-55-260-3504

☐ LGETR, China

Xiang Lin Road 2, Taizhou Economic & Technological Development Zone,
Jiangsu, China
TEL : +86-523-666-9756, 9916
FAX : +86-523-666-4490

☐ LGEIL, India

Plot No.51, Udyog Vihar Surajpur-Kasna Road Greater Noida(Uttar Pradesh), India
TEL : +91-120-4560-900/ 940 ext.372
FAX : +91-120-2560-921/ 926

Regd. Office : A-27, Mohan Cooperative Industrial Estate,
Mathura Road ,
New Delhi-110044