

Technical Data Sheet

ENGINEERING
TOMORROW



Compressor model **GL11TB**
Voltage **220-240V 50Hz ~1**
Refrigerant **R134a**

APPLICATION

COMPRESSOR

MOTOR

Application	High-Medium Back Pressure	Displacement	9,95 cm ³	Nominal Power	1/3 hp
Refrigerant	R134a	Diameter	25,40 mm	Voltage/Frequency	220-240V 50Hz
Evaporating Temp.	-25,0 °C to 10,0 °C	Stroke	19,62 mm	Voltage range	187-255 V
Expansion	Capillar/Valve	Net Weight	9,97 Kg	Type	CSIR
Comp. Cooling	Fan cooled	Oil type	ISO VG 32 ESTER	Phase number	1 PH
Max. ambient temp.	43,0 °C	Oil charge	395 cm ³	Locked Rotor Amps (LRA)	12,50 A
Compatible refriger.	R1234yf			Max. Cont. Current (MCC)	4,30 A
				Main W. resist. at 25°C	8,13 Ω
				Start W. resist. at 25°C	23,17 Ω

NOMINAL PERFORMANCE

	ASHRAE	CECOMAF
Cooling Capacity	840 kCal/h	817 W
COP	2,23 W/W	1,92 W/W
EER	1,92 kCal/Wh	1,66 kCal/Wh
Input Power	438 W	425 W
Current	2,59 A	2,54 A

APPROVALS



TEST CYCLE CONDITIONS

	ASHRAE HMBP (D)	CECOMAF HMBP (C)
Evaporating temp. (T _e)	7,2 °C	5,0 °C
Condensing temp. (T _c)	55,0 °C	55,0 °C
Liquid temp. (T _{liq.})	46,0 °C	55,0 °C
Ambient temp. (T _{amb.})	35,0 °C	32,0 °C
Suction temp. (T _{suction})	35,0 °C	32,0 °C
Voltage/Frequency	220 V 50 Hz	220 V 50 Hz

ELECTRICAL COMPONENTS

Starting capacitor	47- 56 µF 330 V			
Relay	Option 1	Option 2		
Reference	2014 138.	QLZ-6.1A		
Pick-Up	6,10 A	6.10 A		
Drop-Out	5,20 A	5.20 A		
Protector	Option 1	Option 2		
Reference	T0181	MST26AMK		
Current	11,10 A	11,10 A		
Time check	7,5-14 seg	7,5-14 seg		
Disc temp. (Open/Close)	105,00 / 61,00 °C	105,00 / 61,00 °C		



ASHRAE

Tc	Te	Cooling Capacity	Consumption	Current	COP	EER
°C	°C	kCal/h	W	A	W/W	kCal/Wh
40	-25	230	219	1,74	1,22	1,05
40	-20	307	240	1,83	1,49	1,28
40	-15	400	261	1,92	1,78	1,53
40	-10	510	284	2,01	2,09	1,79
40	-5	636	308	2,11	2,40	2,06
40	0	778	334	2,21	2,71	2,33
40	5	937	360	2,31	3,03	2,60
40	7,2	1.012	372	2,35	3,16	2,72
40	10	1.112	388	2,41	3,34	2,87

45	-25	213	223	1,76	1,11	0,96
45	-20	284	246	1,86	1,34	1,15
45	-15	371	271	1,96	1,59	1,37
45	-10	474	297	2,06	1,86	1,60
45	-5	594	324	2,17	2,14	1,84
45	0	730	352	2,28	2,41	2,08
45	5	882	381	2,39	2,70	2,32
45	7,2	955	394	2,43	2,82	2,42
45	10	1.051	411	2,50	2,97	2,56

50	-25	197	226	1,77	1,01	0,87
50	-20	261	253	1,89	1,20	1,03
50	-15	342	280	2,00	1,42	1,22
50	-10	439	309	2,11	1,65	1,42
50	-5	552	339	2,23	1,90	1,63
50	0	682	369	2,34	2,15	1,85
50	5	828	402	2,46	2,40	2,06
50	7,2	897	416	2,51	2,51	2,16
50	10	990	435	2,58	2,65	2,28

55	-25	180	230	1,79	0,91	0,78
55	-20	238	259	1,91	1,07	0,92
55	-15	312	290	2,04	1,25	1,08
55	-10	403	321	2,16	1,46	1,26
55	-5	510	354	2,29	1,68	1,44
55	0	634	387	2,41	1,90	1,64
55	5	773	422	2,54	2,13	1,83
55	7,2	840	438	2,59	2,23	1,92
55	10	929	458	2,66	2,36	2,03

60	-25	163	234	1,81	0,81	0,70
60	-20	215	266	1,94	0,94	0,81
60	-15	283	299	2,07	1,10	0,95
60	-10	367	333	2,21	1,28	1,10
60	-5	468	369	2,34	1,48	1,27
60	0	585	405	2,47	1,68	1,44
60	5	719	443	2,61	1,89	1,62
60	7,2	783	460	2,67	1,98	1,70
60	10	869	482	2,74	2,10	1,80

65	-25	147	237	1,82	0,72	0,62
65	-20	192	272	1,97	0,82	0,71
65	-15	254	308	2,11	0,96	0,82
65	-10	332	345	2,25	1,12	0,96
65	-5	426	384	2,40	1,29	1,11
65	0	537	423	2,54	1,48	1,27
65	5	664	464	2,68	1,67	1,43
65	7,2	725	482	2,74	1,75	1,50
65	10	808	506	2,81	1,86	1,60

CECOMAF

Tc	Te	Cooling Capacity	Consumption	Current	COP	EER
°C	°C	W	W	A	W/W	kCal/Wh
40	-25	248	220	1,75	1,13	0,97
40	-20	332	241	1,84	1,38	1,19
40	-15	433	263	1,93	1,65	1,42
40	-10	551	286	2,02	1,93	1,66
40	-5	686	310	2,12	2,21	1,91
40	0	839	336	2,22	2,50	2,16
40	5	1.009	362	2,32	2,78	2,41
40	7,2	1.089	374	2,36	2,91	2,51
40	10	1.196	390	2,42	3,07	2,65

45	-25	229	224	1,76	1,02	0,88
45	-20	305	247	1,86	1,23	1,06
45	-15	399	272	1,97	1,46	1,26
45	-10	509	298	2,07	1,71	1,48
45	-5	637	325	2,18	1,96	1,69
45	0	782	354	2,29	2,21	1,91
45	5	945	383	2,39	2,47	2,13
45	7,2	1.022	397	2,44	2,58	2,23
45	10	1.124	414	2,51	2,72	2,35

50	-25	210	228	1,78	0,92	0,80
50	-20	278	254	1,89	1,10	0,95
50	-15	364	282	2,00	1,29	1,12
50	-10	468	311	2,12	1,51	1,30
50	-5	588	341	2,24	1,73	1,49
50	0	726	372	2,35	1,95	1,69
50	5	881	404	2,47	2,18	1,88
50	7,2	954	419	2,52	2,28	1,97
50	10	1.053	438	2,59	2,41	2,08

55	-25	190	231	1,80	0,82	0,71
55	-20	252	261	1,92	0,97	0,84
55	-15	330	291	2,04	1,14	0,98
55	-10	426	323	2,17	1,32	1,14
55	-5	539	356	2,29	1,52	1,31
55	0	669	390	2,42	1,72	1,48
55	5	817	425	2,54	1,92	1,66
55	7,2	887	441	2,60	2,01	1,74
55	10	981	461	2,67	2,13	1,84

60	-25	171	235	1,81	0,73	0,63
60	-20	225	267	1,94	0,84	0,73
60	-15	296	301	2,08	0,99	0,85
60	-10	385	335	2,21	1,15	0,99
60	-5	490	371	2,35	1,32	1,14
60	0	613	408	2,48	1,50	1,30
60	5	753	446	2,62	1,69	1,46
60	7,2	820	463	2,68	1,77	1,53
60	10	910	485	2,75	1,88	1,62

65	-25	152	239	1,83	0,64	0,55
65	-20	199	274	1,97	0,73	0,63
65	-15	262	310	2,12	0,85	0,73
65	-10	343	347	2,26	0,99	0,85
65	-5	441	386	2,41	1,14	0,99
65	0	556	426	2,55	1,31	1,13
65	5	689	467	2,69	1,48	1,28
65	7,2	753	485	2,75	1,55	1,34
65	10	839	509	2,83	1,65	1,42

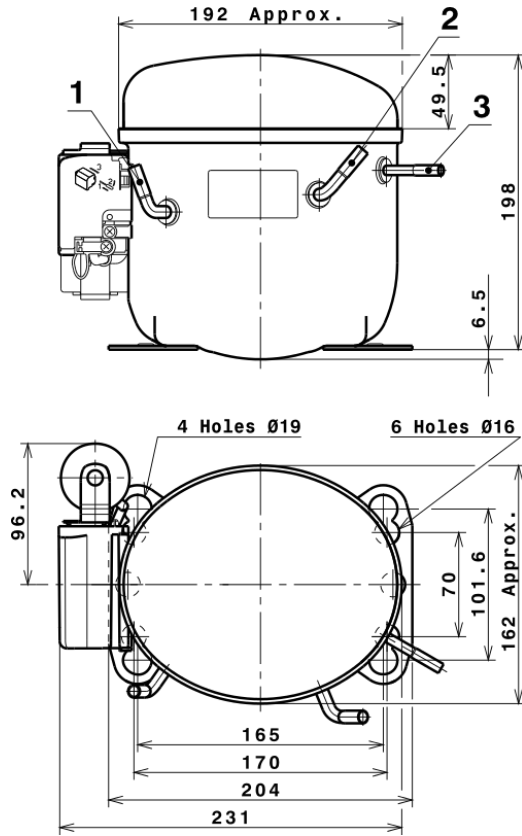


EN12900

X	Cooling Capacity (W)	Consumption (W)	Current (A)	Mass Flow (kg/h)
1	1.295,4902432016	196,2881617920	1,7297808139	21,681785837816
2	44,3446292920	0,7140600927	0,0039417452	0,83272234063116
3	-11,6800454567	3,7031221967	0,0131788495	-0,0809992717873
4	0,3384188526	0,0263707379	0,0000162587	0,0097790334281798
5	-0,3123305618	0,1179793402	0,0003995122	-0,0016169743125241

Equation	$x_1 + x_2Te + x_3Tc + x_4Te^2 + x_5TeTc$
----------	---

COMPRESSOR DIMENSIONS

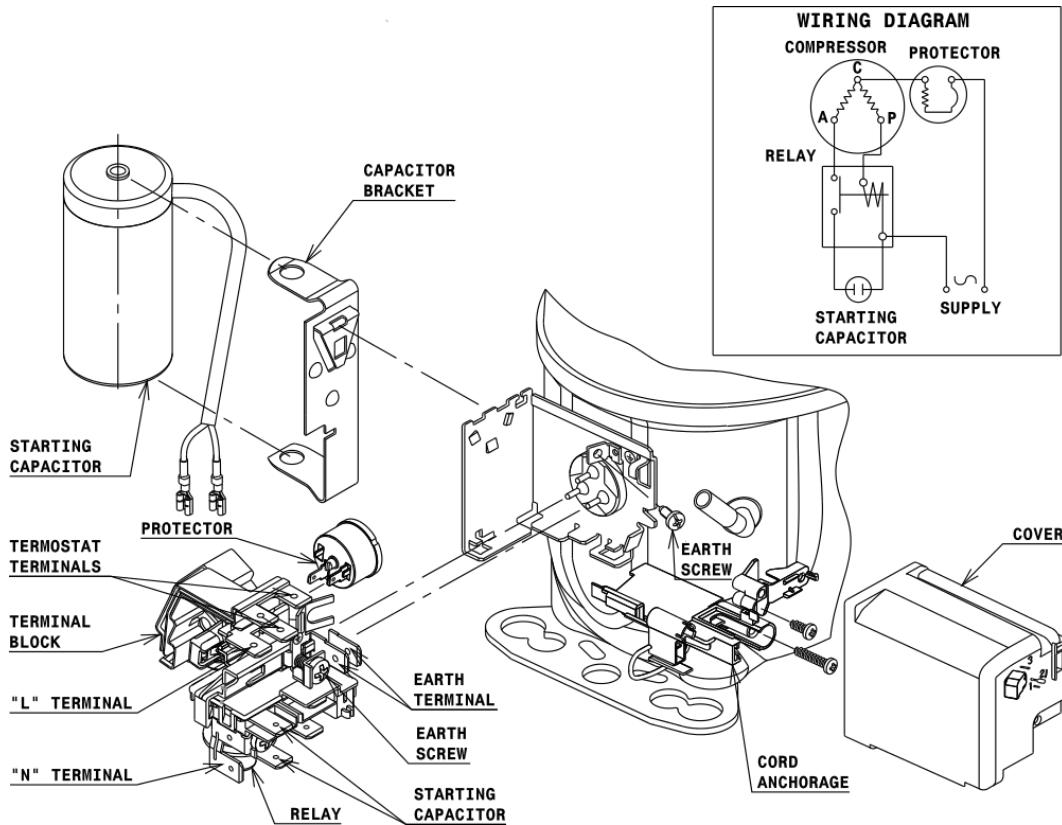


DESIGNATION INTERNAL DIAM.

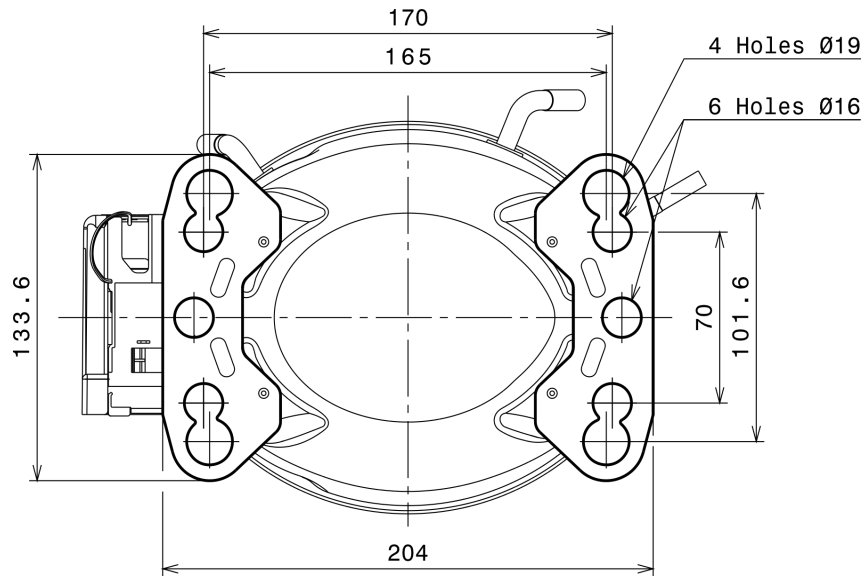
DESIGNATION	INTERNAL DIAM.
1 Suction	6,5 mm
2 Service	6,5 mm
3 Discharge	4,9 mm

WIRING DIAGRAMS AND ELECTRICAL ASSEMBLY

CSIR CONNECTION (L, P ranges)



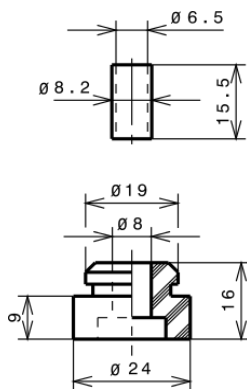
FIXINGS



SILENT BLOCKS (MOUNTING ACCESSORIES)

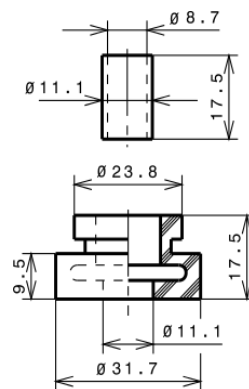
STANDARD

Ø16 holes (170x70 net)



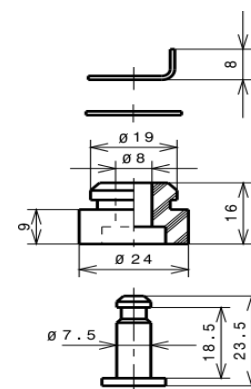
AMERICAN FEET

Ø19 holes (165x101.6 net)



SNAP-ON

Ø16 holes (170x70 net)



SOA

SOA R134a HMBP

