



Main Technical Data

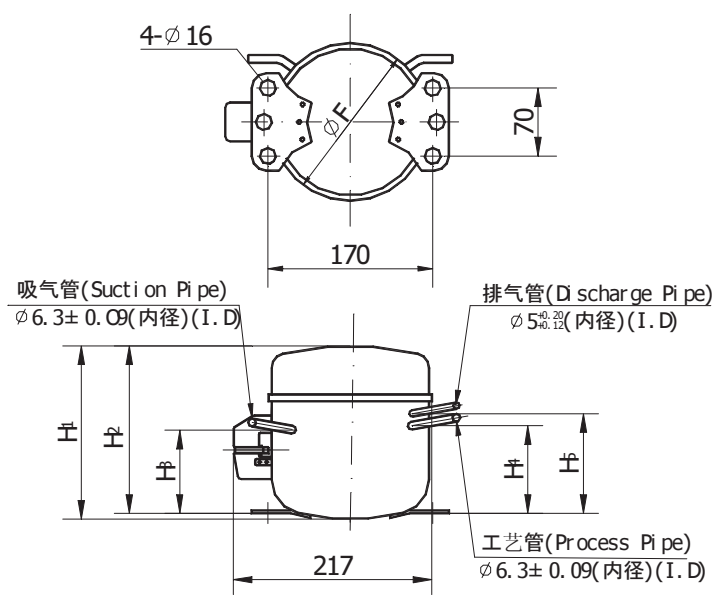
Model	PW3.5VK	PW4.0VK	PW4.5VK
Application	LBP		
Running Voltage (V)	187~242V AC 50Hz		
Capacity (W)	95	112	126
Motor Input (W)	95	102	110
Current (A)	0.60	0.70	0.85
COP (W/W)	1.0	1.1	1.15
Weight (Kg)	7.2	7.2	7.2

Test Condition

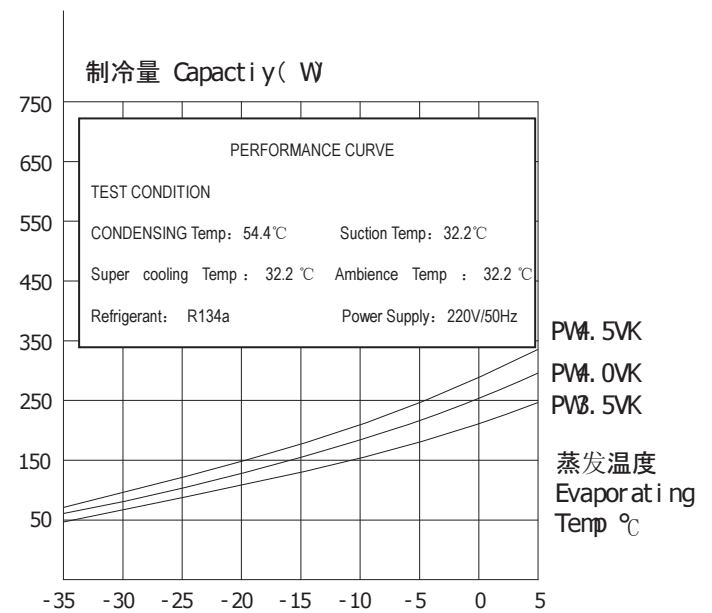
Evaporating Temp:  $-23.3^{\circ}\text{C} \pm 0.2^{\circ}\text{C}$   
 Condensing Temp:  $54.4^{\circ}\text{C} \pm 0.3^{\circ}\text{C}$   
 Super Cooling Temp:  $32.2^{\circ}\text{C} \pm 0.3^{\circ}\text{C}$   
 Suction Temp:  $32.2^{\circ}\text{C} \pm 3^{\circ}\text{C}$   
 Ambient Temp:  $32.2^{\circ}\text{C} \pm 1^{\circ}\text{C}$   
 Power Supply: 220V AC 50Hz

Applied Condition

Evaporating Temp Range:  $-35^{\circ}\text{C} \sim -15^{\circ}\text{C}$   
 Refrigerant: R134a  
 Compressor Cooling: Static Cooling  
 Ambient Temp:  $10^{\circ}\text{C} \sim 38^{\circ}\text{C}$



(Overall Dimensions)



( Characteristic Curve)

Model	H <sub>1</sub>	H <sub>2</sub>	H <sub>3</sub>	H <sub>4</sub>	H <sub>5</sub>	F
PW3.5VK	165	158	74	79	82	157
PW4.0VK						
PW4.5VK						

TECHNICAL DATA SUBJECTED TO CONSTANT TECHNOLOGY IMPROVEMENT WITHOUT ADVANCED NOTICE.