

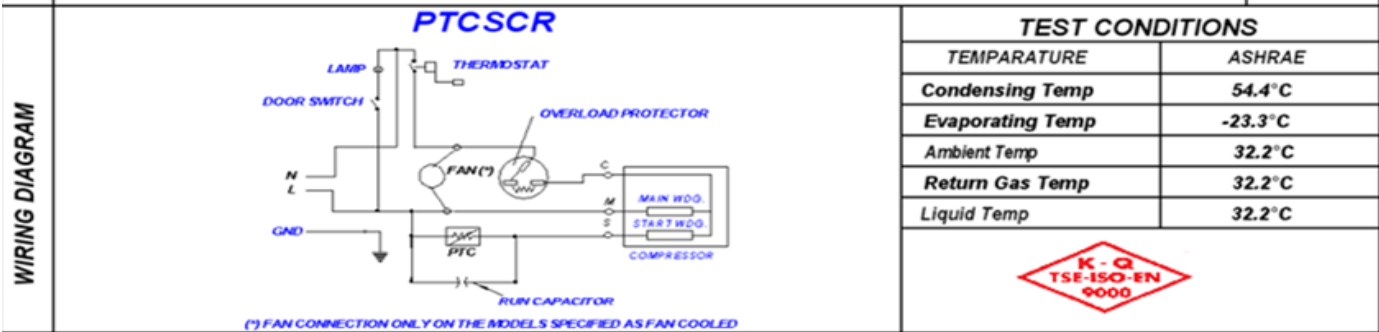
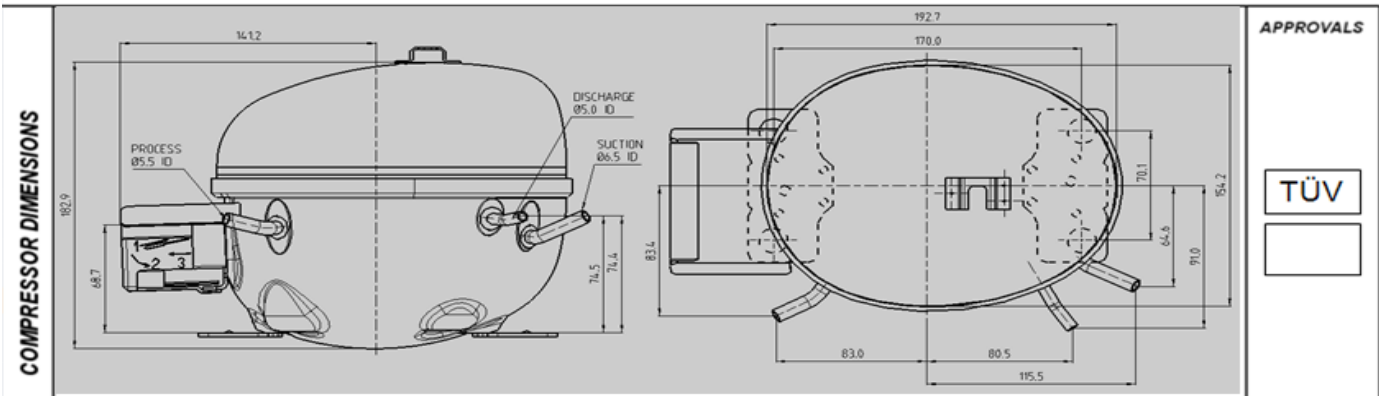


TURK ELECTRIC HERMETIC COMPRESSORS TECHNICAL DATA SHEET

HEAD OFFICE : Karaagac Cad. No 2/6 Sutluce ISTANBUL / TÜRKİYE
PHONE : (90)(212) 314 34 34 FAX : (90)(212) 314 34 70

NTU	170MT	220-240 V	50 Hz	L.B.P.	R 600a	STATIC	PTCSCR
Serial	Model	Voltage	Frequency	Application	Refrigerant	Comp. Cooling	Motor Design

PERFORMANCE (ASHRAE) Capacity 170 Kcal/hr Current 0,59 Amps Input 120 Watt C.O.P. 1,65 W/W E.E.R. 1,42 Kcal/Wh Capacity 149 W (Cecomaf) C.O.P. 1,49 W/W (Cecomaf)	APPLICATION Evaporating Temp.Range -35 to -10 °C Refrigerant R 600 a Expansion Device C Compressor Cooling STATIC Max.Ambient Temp. 43 °C	ELECTRICAL COMPONENTS RELAY Mark Sensata Model 8EA 19 E61 Min Drop Out - Amps Max Pick Up - Amps PTC Relay Resistance 15 Ohms
COMPRESSOR DATA Design Reciprocating Displacement 11.55 cc Oil Charge Quantity 175 cc Weight 8 Kg Starting Torque LST	MOTOR DATA Motor Code 170-AP4 Motor Design PTCSCR Voltage Range 176 - 242 Starting Current (LRA) 12,4 Amps	OVERLOAD PROTECTOR Mark Sensata Model 4TM 189 NFBYY-73 Trip Current (25°C) 5,6 Amps First Trip Time (25°C) 5-15 Sec Nom.Disc.Temp(Open /Close) 120 / 61 °C Capacitor (Start) - µf Capacitor (Run) 5 µf
WINDING RESISTANCE at 25 °C (± 5%) Run 16,8 Ohms Start 17,3 Ohms Insulation Class E		



All the details are subject to change without any notice.