

Performance

Application : Low Back Pressure

Refrigerant : R134a (CF₃CH₂F)

Evaporator Temperature Range : -35°C to -5°C

Series	Model	Displacement (cm ³)	Voltage / Frequency	Motor Type	ASHRAE		CECOMAF	
					Capacity	COP	Capacity	COP
					W	W/W	W	W/W
D	D51C10GAX6	5.1	220V 60Hz	RSIR	162	1.15	-	-
				RSCR	-	-	-	-
	D51C10RAX5	5.1	220V 50Hz	RSIR	135	1.18	-	-
				RSCR	135	1.26	-	-
	D51C88RA00	5.1	100V 50/60Hz	RSIR	135 / 162	1.17 / 1.22	-	-
				RSCR	135 / 162	1.24 / 1.30	-	-
	D51C90RAW5	5.1	220/240V 50Hz	RSIR	135 / 135	1.21 / 1.17	-	-
				RSCR	135 / 135	1.27 / 1.23	-	-
	D57C10RA00	5.7	100V 50/60Hz	RSIR	141 / 171	1.21 / 1.27	-	-
				RSCR	141 / 171	1.29 / 1.37	-	-
	D57C10RB00	5.7	100V 50/60Hz	RSIR	138 / 156	1.15 / 1.19	-	-
				RSCR	138 / 156	1.23 / 1.28	-	-
	D57C10RAW5	5.7	220/240V 50Hz	RSIR	141 / 141	1.18 / 1.16	-	-
				RSCR	141 / 141	1.26 / 1.22	-	-
	D57C12RAT6	5.7	110V 60Hz	RSIR	-	-	-	-
				RSCR	171	1.34	-	-
	D57C13RAX5	5.7	220V 50Hz	RSIR	141	1.21	-	-
				RSCR	141	1.27	-	-
	D66C12TA00	6.6	100V 50/60Hz	CSIR	-	-	-	-
				CSCR	151 / 200	1.26 / 1.35	-	-
	D66C13RA00	6.6	100V 50/60Hz	RSIR	151 / 200	1.14 / 1.24	-	-
				RSCR	151 / 200	1.21 / 1.32	-	-
	D66C13RAW5	6.6	220/240V 50Hz	RSIR	160 / 160	1.26 / 1.23	-	-
				RSCR	160 / 160	1.32 / 1.28	-	-
	D66C15GAX6	6.6	220V 60Hz	RSIR	200	1.26	-	-
				RSCR	-	-	-	-
	D66C15RAX5	6.6	220V 50Hz	RSIR	151	1.22	-	-
				RSCR	151	1.26	-	-
D77C14TA00	7.7	100V 50/60Hz	CSIR	-	-	-	-	
			CSCR	186 / 236	1.29 / 1.36	-	-	

Notes: All data covered by this catalogue are given as general information only.
The product specifications and availability are subjected to change without notice.

Performance

Application : Low Back Pressure

Refrigerant : R134a (CF₃CH₂F)

Evaporator Temperature Range : -35°C to -5°C

Series	Model	Displacement (cm ³)	Voltage / Frequency	Motor Type	ASHRAE		CECOMAF	
					Capacity	COP	Capacity	COP
					W	W/W	W	W/W
D	D77C15RAW5	7.7	220/240V 50Hz	RSIR	186 / 186	1.27 / 1.24	-	-
				RSCR	186 / 186	1.32 / 1.27	-	-
	D77C17GAX6	7.7	220V 60Hz	RSIR	236	1.25	-	-
				RSCR	-	-	-	-
	D77C17RAT6	7.7	110V 60Hz	CSIR	-	-	-	-
				CSCR	236	1.34	-	-
	D77C18RAX5	7.7	220V 50Hz	RSIR	186	1.24	-	-
				RSCR	186	1.31	-	-
	D91C18RAW5	9.1	220/240V 50Hz	RSIR	227 / 227	1.29 / 1.24	-	-
				RSCR	227 / 227	1.37 / 1.31	-	-
	D91C18TA00	9.1	100V 50/60Hz	CSIR	-	-	-	-
				CSCR	227 / 288	1.29 / 1.39	-	-
	D91C19CAS5	9.1	200V 50Hz	CSIR	227	1.28	-	-
				CSCR	-	-	-	-
	D91C21RAX5	9.1	220V 50Hz	RSIR	227	1.28	-	-
				RSCR	227	1.34	-	-
	D91C22TAT6	9.1	110V 60Hz	CSIR	-	-	-	-
				CSCR	288	1.35	-	-
	D91C23GAX6	9.1	220V 60Hz	RSIR	288	1.26	-	-
				RSCR	-	-	-	-
	D110C21RAX5	11.0	220V 50Hz	RSIR	298	1.26	-	-
				RSCR	298	1.34	-	-
	D110C21RAZ5	11.0	240V 50Hz	RSIR	298	1.32	-	-
				RSCR	298	1.38	-	-
D110C22RAX6	11.0	220V 60Hz	RSIR	326	1.36	-	-	
			RSCR	-	-	-	-	
D110C21RBX5	11.0	220/230V 50Hz	RSIR	-	-	-	-	
			RSCR	298 / 298	1.34 / 1.31	-	-	
D110C24GAX5	11.0	220V 50Hz	RSIR	298	1.27	-	-	
			RSCR	-	-	-	-	

Notes: All data covered by this catalogue are given as general information only.
The product specifications and availability are subjected to change without notice.

Performance

Application : Low Back Pressure

Refrigerant : R134a (CF₃CH₂F)

Evaporator Temperature Range : -35°C to -5°C

Series	Model	Displacement (cm ³)	Voltage / Frequency	Motor Type	ASHRAE		CECOMAF	
					Capacity	COP	Capacity	COP
					W	W/W	W	W/W
D	D110C24TAX6	11.0	220V 60Hz	CSIR	-	-	-	-
				CSCR	326	1.31	-	-
DA	DA51C72RBU6	5.1	115V 60Hz	RSIR	-	-	-	-
				RSCR	177	1.57	-	-
	DA57C11RAY5	5.7	230/240V 50Hz	RSIR	-	-	-	-
				RSCR	163 / 163	1.50 / 1.48	-	-
	DA57C84RBU6	5.7	115V 60Hz	RSIR	-	-	-	-
				RSCR	202	1.59	-	-
	DA66C10RBU6	6.6	115V 60Hz	RSIR	-	-	-	-
				RSCR	232	1.58	-	-
	DA66C12RAY5	6.6	230/240V 50Hz	RSIR	-	-	-	-
				RSCR	184 / 184	1.51 / 1.50	-	-
	DA73C12RBU6	7.3	115V 60Hz	RSIR	-	-	-	-
				RSCR	258	1.57	-	-
	DA77C15RAY5	7.7	230/240V 50Hz	RSIR	-	-	-	-
				RSCR	214 / 214	1.52 / 1.51	-	-
	DA77C15TA00	7.7	100V 50/60Hz	CSIR	-	-	-	-
				CSCR	205 / 265	1.39 / 1.46	-	-
	DA86C15RBU6	8.6	115V 60Hz	RSIR	-	-	-	-
				RSCR	295	1.52	-	-
	DA86C17TA00	8.6	100V 50/60Hz	CSIR	-	-	-	-
				CSCR	223 / 285	1.40 / 1.47	-	-
DA91C19TB00	9.1	100V 50/60Hz	CSIR	-	-	-	-	
			CSCR	235 / 301	1.35 / 1.45	-	-	
DA91C22TAT6	9.1	110V 60Hz	CSIR	-	-	-	-	
			CSCR	313	1.40	-	-	
DA125C25TA00	12.5	100V 50/60Hz	CSIR	-	-	-	-	
			CSCR	324 / 358	1.28 / 1.34	-	-	
DB	DB51C88RA00	5.1	100V 50/60Hz	RSIR	-	-	-	-
				RSCR	143 / 177	1.28 / 1.37	-	-

Notes: All data covered by this catalogue are given as general information only.
The product specifications and availability are subjected to change without notice.

Performance

Application : Low Back Pressure

Refrigerant : R134a (CF₃CH₂F)

Evaporator Temperature Range : -35°C to -5°C

Series	Model	Displacement (cm ³)	Voltage / Frequency	Motor Type	ASHRAE		CECOMAF	
					Capacity	COP	Capacity	COP
					W	W/W	W	W/W
DB	DB57C10RA00	5.7	100V 50/60Hz	RSIR	163 / 197	1.31 / 1.35	-	-
				RSCR	163 / 197	1.41 / 1.46	-	-
	DB66C10RAW5	6.6	220/240V 50Hz	RSIR	-	-	-	-
				RSCR	187 / 187	1.52 / 1.50	-	-
	DB66C12RA00	6.6	100V 50/60Hz	RSIR	-	-	-	-
				RSCR	184 / 230	1.44 / 1.48	-	-
	DB66C12RAT6	6.6	110V 60Hz	RSIR	-	-	-	-
				RSCR	237	1.55	-	-
	DB66C12RAY5	6.6	230/240V 50Hz	RSIR	184 / 184	1.43 / 1.40	-	-
				RSCR	184 / 184	1.52 / 1.51	-	-
	DB66C14RBX5	6.6	220V 50Hz	RSIR	-	-	-	-
				RSCR	184	1.47	-	-
	DB73C13RAT6	7.3	110V 60Hz	RSIR	-	-	-	-
				RSCR	263	1.52	-	-
	DB73C13RAY5	7.3	230/240V 50Hz	RSIR	204 / 204	1.43 / 1.42	-	-
				RSCR	204 / 204	1.52 / 1.51	-	-
	DB73C14RA00	7.3	100V 50/60Hz	RSIR	-	-	-	-
				RSCR	214 / 257	1.40 / 1.49	-	-
	DB73C14RAX6	7.3	220V 60Hz	RSIR	-	-	-	-
				RSCR	264	1.58	-	-
	DB77C13RAT6	7.7	110V 60Hz	RSIR	-	-	-	-
				RSCR	273	1.50	-	-
	DB77C14RAY5	7.7	230/240V 50Hz	RSIR	214 / 214	1.44 / 1.43	-	-
				RSCR	214 / 214	1.53 / 1.52	-	-
DB77C15RA00	7.7	100V 50/60Hz	RSIR	-	-	-	-	
			RSCR	223 / 278	1.39 / 1.47	-	-	
DB77C16RBX5	7.7	220V 50Hz	RSIR	-	-	-	-	
			RSCR	214	1.51	-	-	
DB86C16RAT6	8.6	110V 60Hz	RSIR	-	-	-	-	
			RSCR	302	1.50	-	-	

Notes: All data covered by this catalogue are given as general information only.
The product specifications and availability are subjected to change without notice.

Performance

Application : Low Back Pressure

Refrigerant : R134a (CF₃CH₂F)

Evaporator Temperature Range : -35°C to -5°C

Series	Model	Displacement (cm ³)	Voltage / Frequency	Motor Type	ASHRAE		CECOMAF	
					Capacity	COP	Capacity	COP
					W	W/W	W	W/W
DB	DB86C16RAY5	8.6	230/240V 50Hz	RSIR	241 / 241	1.43 / 1.42	-	-
				RSCR	241 / 241	1.53 / 1.52	-	-
	DB86C18TA00	8.6	100V 50/60Hz	CSIR	-	-	-	-
				CSCR	241 / 302	1.40 / 1.48	-	-
	DB91C14RAW5	9.1	220/240V 50Hz	RSIR	-	-	-	-
				RSCR	253 / 253	1.52 / 1.51	-	-
	DB91C19RAY5	9.1	230/240V 50Hz	RSIR	256 / 256	1.40 / 1.39	-	-
				RSCR	256 / 256	1.50 / 1.49	-	-
	DB91C21RAX5	9.1	220V 50Hz	RSIR	-	-	-	-
				RSCR	256	1.47	188	1.13
	DB110C19RAW5	11.0	220/240V 50Hz	RSIR	-	-	-	-
				RSCR	302 / 302	1.45 / 1.44	-	-
	DB110C22RAW5	11.0	220/240V 50Hz	RSIR	-	-	-	-
				RSCR	302 / 302	1.40 / 1.37	-	-
DB110C22RAX6	11.0	220V 60Hz	RSIR	-	-	-	-	
			RSCR	334	1.36	-	-	
DC	DC51C72RCU6	5.1	115V 60Hz	RSIR	-	-	-	-
				RSCR	177	1.58	-	-
	DC57C84RCU6	5.7	115V 60Hz	RSIR	-	-	-	-
				RSCR	202	1.62	-	-
	DC66C10RCU6	6.6	115V 60Hz	RSIR	-	-	-	-
				RSCR	238	1.62	-	-
DC73C12RCU6	7.3	115V 60Hz	RSIR	-	-	-	-	
			RSCR	264	1.62	-	-	
DD	DD51C11GAT6	5.1	110V 60Hz	RSIR	-	-	-	-
				RSCR	177	1.34	-	-
	DD51C86GA00	5.1	100V 50/60Hz	RSIR	147 / 182	1.27 / 1.32	-	-
				RSCR	-	-	-	-
	DD51C11GAX6	5.1	220V 60Hz	RSIR	177	1.38	-	-
				RSCR	177	1.40	-	-

Notes: All data covered by this catalogue are given as general information only.
The product specifications and availability are subjected to change without notice.

Performance

Application : Low Back Pressure

Refrigerant : R134a (CF₃CH₂F)

Evaporator Temperature Range : -35°C to -5°C

Series	Model	Displacement (cm ³)	Voltage / Frequency	Motor Type	ASHRAE		CECOMAF	
					Capacity	COP	Capacity	COP
					W	W/W	W	W/W
DD	DD57C10RAW5	5.7	220/240V 50Hz	RSIR	-	-	-	-
				RSCR	163 / 163	1.39 / 1.34	-	-
	DD57C12GAX5	5.7	220V 50Hz	RSIR	163	1.32	-	-
				RSCR	-	-	-	-
	DD57C12GAX6	5.7	220V 60Hz	RSIR	197	1.32	-	-
				RSCR	-	-	-	-
	DD66C12RA00	6.6	100V 50/60Hz	RSIR	-	-	-	-
				RSCR	191 / 235	1.44 / 1.50	-	-
	DD66C12GAU6	6.6	115V 60Hz	RSIR	231	1.34	-	-
				RSCR	-	-	-	-
	DD66C12GAX6	6.6	220V 60Hz	RSIR	237	1.45	-	-
				RSCR	-	-	-	-
	DD66C13RAW5	6.6	220/240V 50Hz	RSIR	-	-	-	-
				RSCR	184 / 184	1.45 / 1.40	-	-
	DD66C14RAT6	6.6	110V 60Hz	RSIR	-	-	-	-
				RSCR	237	1.47	-	-
	DD66C14GAX5	6.6	220V 50Hz	RSIR	183	1.36	131	1.02
				RSCR	-	-	-	-
	DD73C14GAU6	7.3	115V 60Hz	RSIR	258	1.43	-	-
				RSCR	-	-	-	-
	DD73C17RAT6	7.3	110V 60Hz	RSIR	-	-	-	-
				RSCR	263	1.45	-	-
	DD73C17GAX6	7.3	220V 60Hz	RSIR	258	1.36	-	-
				RSCR	-	-	-	-
DD77C15GAX5	7.7	220V 50Hz	RSIR	213	1.29	-	-	
			RSCR	-	-	-	-	
DD77C15RA00	7.7	100V 50/60Hz	RSIR	-	-	-	-	
			RSCR	223 / 278	1.42 / 1.50	-	-	
DD77C15RAW5	7.7	220/240V 50Hz	RSIR	214 / 214	1.38 / 1.34	-	-	
			RSCR	214 / 214	1.46 / 1.41	-	-	

Notes: All data covered by this catalogue are given as general information only.
The product specifications and availability are subjected to change without notice.

Performance

Application : Low Back Pressure

Refrigerant : R134a (CF₃CH₂F)

Evaporator Temperature Range : -35°C to -5°C

Series	Model	Displacement (cm ³)	Voltage / Frequency	Motor Type	ASHRAE		CECOMAF	
					Capacity	COP	Capacity	COP
					W	W/W	W	W/W
DD	DD86C16GAU6	8.6	115V 60Hz	RSIR	302	1.42	-	-
				RSCR	-	-	-	-
	DD86C18RAW5	8.6	220/240V 50Hz	RSIR	241 / 241	1.39 / 1.35	-	-
				RSCR	241 / 241	1.48 / 1.43	-	-
	DD86C22RAT6	8.6	100V 60Hz	RSIR	-	-	-	-
				RSCR	302	1.45	-	-
	DD86C23GAX6	8.6	220V 60Hz	RSIR	302	1.37	-	-
				RSCR	-	-	-	-
DG	DG51C69RAU6	5.1	115V 60Hz	RSIR	-	-	-	-
				RSCR	176	1.63	-	-
	DG51C72RAU6	5.1	115V 60Hz	RSIR	-	-	-	-
				RSCR	176	1.61	-	-
	DG51C89RAW5	5.1	220/240V 50Hz	RSIR	-	-	-	-
				RSCR	145 / 145	1.53 / 1.51	-	-
	DG51C90RA00	5.1	100V 50/60Hz	RSIR	-	-	-	-
				RSCR	145 / 176	1.49 / 1.56	-	-
	DG57C12GAT6	5.7	110V 60Hz	RSIR	202	1.42	-	-
				RSCR	-	-	-	-
	DG57C84RAU6	5.7	115V 60Hz	RSIR	-	-	-	-
				RSCR	202	1.64	-	-
	DG57C90GCW5	5.7	220/240V 50Hz	RSIR	168 / 168	1.42 / 1.40	-	-
				RSCR	-	-	-	-
	DG57C96RA00	5.7	100V 50/60Hz	RSIR	-	-	-	-
				RSCR	168 / 202	1.50 / 1.57	-	-
	DG57C96RAW5	5.7	220/240V 50Hz	RSIR	-	-	-	-
				RSCR	168 / 168	1.58 / 1.56	-	-
	DG66C10RAT6	6.6	110V 60Hz	RSIR	-	-	-	-
				RSCR	242	1.62	-	-
DG66C10RAU6	6.6	115V 60Hz	RSIR	-	-	-	-	
			RSCR	242	1.68	-	-	

Notes: All data covered by this catalogue are given as general information only.
The product specifications and availability are subjected to change without notice.

Performance

Application : Low Back Pressure

Refrigerant : R134a (CF₃CH₂F)

Evaporator Temperature Range : -35°C to -5°C

Series	Model	Displacement (cm ³)	Voltage / Frequency	Motor Type	ASHRAE		CECOMAF	
					Capacity	COP	Capacity	COP
					W	W/W	W	W/W
DG	DG66C11RAW5	6.6	220/240V 50Hz	RSIR	-	-	-	-
				RSCR	187 / 187	1.60 / 1.58	-	-
	DG66C13GAX5	6.6	220V 50Hz	RSIR	187	1.35	-	-
				RSCR	-	-	-	-
	DG73C12RAU6	7.3	115V 60Hz	RSIR	-	-	-	-
				RSCR	279	1.68	-	-
	DG73C12RAW5	7.3	220/240V 50Hz	RSIR	-	-	-	-
				RSCR	212 / 212	1.62 / 1.59	-	-
	DG73C14RA00	7.3	100V 50/60Hz	RSIR	-	-	-	-
				RSCR	215 / 265	1.40 / 1.50	-	-
	DG77C14RAW5	7.7	220/240V 50Hz	RSIR	-	-	-	-
				RSCR	225 / 225	1.62 / 1.60	-	-
	DG77C16GAX5	7.7	220V 50Hz	RSIR	225	1.40	-	-
				RSCR	-	-	-	-
	DG86C15RAU6	8.6	115V 60Hz	RSIR	-	-	-	-
				RSCR	325	1.67	-	-
DG91C18RAW5	9.1	220/240V 50Hz	RSIR	-	-	-	-	
			RSCR	259 / 259	1.58 / 1.54	-	-	
DG91C20TA00	9.1	100V 50/60Hz	CSIR	-	-	-	-	
			CSCR	273 / 318	1.35 / 1.48	-	-	
DG91C21RAX5	9.1	220V 50Hz	RSIR	259	1.40	-	-	
			RSCR	259	1.46	-	-	
DGH	DGH51C10RAP	5.1	220V 60Hz	RSIR	-	-	-	-
				RSCR	190	1.58	-	-
	DGH51C69RAU	5.1	115V 60Hz	RSIR	-	-	-	-
				RSCR	188	1.60	-	-
	DGH51C69RBU	5.1	115V 60Hz	RSIR	-	-	-	-
				RSCR	188	1.56	-	-
DGH51C72RAU	5.1	115V 60Hz	RSIR	-	-	-	-	
			RSCR	188	1.63	-	-	

Notes: All data covered by this catalogue are given as general information only.
The product specifications and availability are subjected to change without notice.

Performance

Application : Low Back Pressure

Refrigerant : R134a (CF₃CH₂F)

Evaporator Temperature Range : -35°C to -5°C

Series	Model	Displacement (cm ³)	Voltage / Frequency	Motor Type	ASHRAE		CECOMAF	
					Capacity	COP	Capacity	COP
					W	W/W	W	W/W
DGH	DGH57C11RLP	5.7	220V 60Hz	RSIR	-	-	-	-
				RSCR	215	1.43	-	-
	DGH57C12RAP	5.7	220V 60Hz	RSIR	-	-	-	-
				RSCR	215	1.58	-	-
	DGH57C79RAU	5.7	115V 60Hz	RSIR	-	-	-	-
				RSCR	212	1.63	-	-
	DGH66C12RAR	6.6	110/127V 60Hz	RSIR	-	-	-	-
				RSCR	251 / 251	1.62 / 1.60	-	-
	DGH66C13GAX	6.6	220V 50Hz	RSIR	189	1.42	-	-
				RSCR	-	-	-	-
	DGH66C15RLP	6.6	220V 60Hz	RSIR	-	-	-	-
				RSCR	251	1.45	-	-
	DGH66C16RAP	6.6	220V 60Hz	RSIR	-	-	-	-
				RSCR	251	1.60	-	-
	DGH66C94RAU	6.6	115V 60Hz	RSIR	-	-	-	-
				RSCR	238	1.68	-	-
	DGH66C96RAW	6.6	220/240V 50Hz	RSIR	-	-	-	-
				RSCR	190 / 190	1.60 / 1.58	-	-
	DGH73C14RAE	7.3	220V 50/60Hz	RSIR	-	-	-	-
				RSCR	215 / 270	1.55 / 1.60	-	-
DGH73C15GAX	7.3	220V 50Hz	RSIR	215	1.45	-	-	
			RSCR	-	-	-	-	
DGH73C15RAX	7.3	220V 50Hz	RSIR	-	-	-	-	
			RSCR	215	1.60	-	-	
DGH77C13RAW	7.7	220/240V 50Hz	RSIR	-	-	-	-	
			RSCR	222 / 222	1.62 / 1.60	-	-	
DGH77C19RLP	7.7	220V 60Hz	RSIR	-	-	-	-	
			RSCR	293	1.50	-	-	
DGH86C16RAW	8.6	220/240V 50Hz	RSIR	-	-	-	-	
			RSCR	248 / 248	1.58 / 1.54	-	-	

Notes: All data covered by this catalogue are given as general information only.
The product specifications and availability are subjected to change without notice.

Performance

Application : Low Back Pressure

Refrigerant : R134a (CF₃CH₂F)

Evaporator Temperature Range : -35°C to -5°C

Series	Model	Displacement (cm ³)	Voltage / Frequency	Motor Type	ASHRAE		CECOMAF	
					Capacity	COP	Capacity	COP
					W	W/W	W	W/W
DGH	DGH86C17TAJ	8.6	100V 50/60Hz	CSIR	-	-	-	-
				CSCR	260 / 320	1.58 / 1.65	-	-
	DGH86C19GAX	8.6	220V 50Hz	RSIR	260	1.43	-	-
				RSCR	-	-	-	-
DGK	DGK51C68RLU	5.1	115V 60Hz	RSIR	-	-	-	-
				RSCR	180	1.64	-	-
	DGK57C81RLU	5.7	115V 60Hz	RSIR	-	-	-	-
				RSCR	205	1.63	-	-
	DGK57C88RPU	5.7	115V 60Hz	RSIR	-	-	-	-
				RSCR	205	1.53	-	-
	DGK66C10RLU	6.6	115V 60Hz	RSIR	-	-	-	-
				RSCR	238	1.68	-	-
	DGK66C90RPW	6.6	220/240V 50Hz	RSIR	-	-	-	-
				RSCR	192 / 192	1.53 / 1.51	-	-
DGK66C95GPJ	6.6	100V 50/60Hz	RSIR	192 / 235	1.40 / 1.50	-	-	
			RSCR	-	-	-	-	
DGS	DGS51C72RAU	5.1	115V 60Hz	RSIR	-	-	-	-
				RSCR	179	1.60	-	-
	DGS57C84RAU	5.7	115V 60Hz	RSIR	-	-	-	-
				RSCR	202	1.63	-	-
DHK	DHK57C97RLX	5.7	220V 50Hz	RSIR	-	-	-	-
				RSCR	169	1.60	-	-
	DHK66C10RLU	6.6	115V 60Hz	RSIR	-	-	-	-
				RSCR	238	1.68	-	-
DHS	DHS51C12RAT	5.1	110V 60Hz	RSIR	-	-	-	-
				RSCR	188	1.64**	-	-
	DHS51C71RAU	5.1	115V 60Hz	RSIR	-	-	-	-
				RSCR	188	1.66	-	-
	DHS51C73RAU	5.1	115V 60Hz	RSIR	-	-	-	-
				RSCR	188	1.64**	-	-

Notes: All data covered by this catalogue are given as general information only.
The product specifications and availability are subjected to change without notice.

Performance

Application : Low Back Pressure

Refrigerant : R134a (CF₃CH₂F)

Evaporator Temperature Range : -35°C to -5°C

Series	Model	Displacement (cm ³)	Voltage / Frequency	Motor Type	ASHRAE		CECOMAF	
					Capacity	COP	Capacity	COP
					W	W/W	W	W/W
DHS	DHS51C74RAW	5.1	220/240V 50Hz	RSIR	-	-	-	-
				RSCR	154	1.65**	-	-
	DHS57C80RAW	5.7	220/240V 50Hz	RSIR	-	-	-	-
				RSCR	172 / 172	1.65 / 1.63	-	-
	DHS57C85RAU	5.7	115V 60Hz	RSIR	-	-	-	-
				RSCR	212	1.64	-	-
	DHS66C10RAU	6.6	115V 60Hz	RSIR	-	-	-	-
				RSCR	238	1.68	-	-
	DHS66C10RAW	6.6	220/240V 50Hz	RSIR	-	-	-	-
				RSCR	190 / 190	1.68 / 1.67**	-	-
	DHS66C10RBU	6.6	115V 60Hz	RSIR	-	-	-	-
				RSCR	238	1.66	-	-
	DHS66C13RAT	6.6	110V 60Hz	RSIR	-	-	-	-
				RSCR	238	1.70**	-	-
	DHS66J14TAJ	6.6	100V 50/60Hz	CSIR	-	-	-	-
				CSCR	160 / 209	1.34 / 1.47	-	-
	DHS66C88RAW	6.6	220/240V 50Hz	RSIR	-	-	-	-
				RSCR	190 / 190	1.69 / 1.68**	-	-
	DHS73C10RAW	7.3	220/240V 50Hz	RSIR	-	-	-	-
				RSCR	210 / 210	1.71 / 1.70**	-	-
	DHS73C12RAU	7.3	115V 60Hz	RSIR	-	-	-	-
				RSCR	270	1.69	-	-
	DHS73C12RBU	7.3	115V 60Hz	RSIR	-	-	-	-
				RSCR	270	1.67	-	-
DHS73C16RAT	7.3	110V 60Hz	RSIR	-	-	-	-	
			RSCR	270	1.68**	-	-	
DHS77J16MAM	7.7	3Ø 200V 50/60Hz	RSIR	197 / 256	1.42 / 1.45	-	-	
			RSCR	-	-	-	-	
DHS77C13RAW	7.7	220/240V 50Hz	RSIR	-	-	-	-	
			RSCR	222 / 222	1.68 / 1.67**	-	-	

Notes: All data covered by this catalogue are given as general information only.
The product specifications and availability are subjected to change without notice.

Performance

Application : Low Back Pressure

Refrigerant : R134a (CF₃CH₂F)

Evaporator Temperature Range : -35°C to -5°C

Series	Model	Displacement (cm ³)	Voltage / Frequency	Motor Type	ASHRAE		CECOMAF	
					Capacity	COP	Capacity	COP
					W	W/W	W	W/W
DHS	DHS77J17TAJ	7.7	100V 50/60Hz	CSIR	-	-	-	-
				CSCR	197 / 256	1.40 / 1.52	-	-
	DHS86C15RAW	8.6	220/240V 50Hz	RSIR	-	-	-	-
				RSCR	248 / 248	1.63 / 1.62	-	-
	DHS86J19TAJ	8.6	100V 50/60Hz	CSIR	-	-	-	-
				CSCR	230 / 292	1.36 / 1.52	-	-
	DHS91J20TAJ	9.1	100V 50/60Hz	CSIR	-	-	-	-
				CSCR	240 / 305	1.29 / 1.48	-	-
DJJ	DJJ51C71RAU	5.1	115V 60Hz	RSIR	-	-	-	-
				RSCR	188	1.70**	-	-
	DJJ57C83RAU	5.7	115V 60Hz	RSIR	-	-	-	-
				RSCR	213	1.72**	-	-
DJK	DJK51C73RAU	5.1	115V 60Hz	RSIR	-	-	-	-
				RSCR	180	1.67	-	-
	DJK57C89RAU	5.7	115V 60Hz	RSIR	-	-	-	-
				RSCR	205	1.71	-	-
	DJK73C12RAU	7.3	115V 60Hz	RSIR	-	-	-	-
				RSCR	270	1.74	-	-
DJL	DJL51C68RLU	5.1	115V 60Hz	RSIR	-	-	-	-
				RSCR	182	1.67	-	-
	DJL51C76RLU	5.1	115V 60Hz	RSIR	-	-	-	-
				RSCR	182	1.67	-	-
DKK	DKK43C61RAU	4.3	115V 60Hz	RSIR	-	-	-	-
				RSCR	148	1.64	-	-
	DKK51C78RAU	5.1	115V 60Hz	RSIR	-	-	-	-
				RSCR	180	1.72	-	-
	DKK57C11RAE	5.7	220V 50/60Hz	RSIR	-	-	-	-
				RSCR	169 / 205	1.70 / 1.74	-	-
	DKK57C90RAU	5.7	115V 60Hz	RSIR	-	-	-	-
				RSCR	205	1.76	-	-

Notes: All data covered by this catalogue are given as general information only.
The product specifications and availability are subjected to change without notice.

Performance

Application : Low Back Pressure

Refrigerant : R134a (CF₃CH₂F)

Evaporator Temperature Range : -35°C to -5°C

Series	Model	Displacement (cm ³)	Voltage / Frequency	Motor Type	ASHRAE		CECOMAF	
					Capacity	COP	Capacity	COP
					W	W/W	W	W/W
DKK	DKK66C13RAE	6.6	220V 50/60Hz	RSIR	-	-	-	-
				RSCR	194 / 239	1.65 / 1.74	-	-
	DKK66C11RAU	6.6	115V 60Hz	RSIR	-	-	-	-
				RSCR	238	1.76	-	-
	DKK73C13RAU	7.3	115V 60Hz	RSIR	-	-	-	-
				RSCR	270	1.78	-	-
	DKK73C14TAJ	7.3	100V 50/60Hz	CSIR	-	-	-	-
				CSCR	215 / 270	1.57 / 1.68	-	-
DKK73C16MAM	7.3	3Ø 200V 50/60Hz	RSIR	215 / 270	1.52 / 1.57	-	-	
			RSCR	-	-	-	-	
Q	Q51C82CA00	5.1	100V 50/60Hz	CSIR	104 / 126	0.94 / 1.04	-	-
				CSCR	-	-	-	-
	Q66C12CA00	6.6	100V 50/60Hz	CSIR	136 / 158	0.92 / 1.03	-	-
				CSCR	-	-	-	-
	Q91C17CA00	9.1	100V 50/60Hz	CSIR	186 / 215	0.98 / 1.11	-	-
				CSCR	-	-	-	-
	Q91C21MAM0	9.1	3Ø 200V 50/60Hz	RSIR	186 / 215	1.26 / 1.26	-	-
				RSCR	-	-	-	-
Q110C27TA00	11.0	100V 50/60Hz	CSIR	-	-	-	-	
			CSCR	225 / 265	0.92 / 1.13	-	-	
QA	QA43C79CA00	4.3	100V 50/60Hz	CSIR	85 / 112	0.87 / 1.07	-	-
				CSCR	-	-	-	-
	QA51C82CA00	5.1	100V 50/60Hz	CSIR	106 / 133	0.95 / 1.08	-	-
				CSCR	-	-	-	-
	QA66C12CA00	6.6	100V 50/60Hz	CSIR	145 / 182	1.07 / 1.15	-	-
				CSCR	-	-	-	-
	QA66C12GAX5	6.6	220V 50Hz	RSIR	145	1.12	-	-
				RSCR	-	-	-	-
QA66C14GAX5	6.6	220V 50Hz	RSIR	145	1.13	-	-	
			RSCR	-	-	-	-	

Notes: All data covered by this catalogue are given as general information only.
The product specifications and availability are subjected to change without notice.

Performance

Application : Low Back Pressure

Refrigerant : R134a (CF₃CH₂F)

Evaporator Temperature Range : -35°C to -5°C

Series	Model	Displacement (cm ³)	Voltage / Frequency	Motor Type	ASHRAE		CECOMAF	
					Capacity	COP	Capacity	COP
					W	W/W	W	W/W
QA	QA66C15GAX5	6.6	220V 50Hz	RSIR	145	1.07	-	-
				RSCR	-	-	-	-
	QA77C17GAX5	7.7	220V 50Hz	RSIR	176	1.09	-	-
				RSCR	-	-	-	-
	QA77J17TA00	7.7	100V 50/60Hz	CSIR	-	-	-	-
				CSCR	165 / 186	1.06 / 1.19	-	-
	QA91C18CA00	9.1	100V 50/60Hz	CSIR	207 / 251	1.07 / 1.20	-	-
				CSCR	-	-	-	-
	QA91C18TA00	9.1	100V 50/60Hz	CSIR	-	-	-	-
				CSCR	207 / 251	1.20 / 1.27	-	-
	QA91C21TAT6	9.1	110V 60Hz	CSIR	-	-	-	-
				CSCR	251	1.24	-	-
	QA91C22GAX5	9.1	220V 50Hz	RSIR	207	1.13	-	-
				RSCR	-	-	-	-
	QA91J21MAM0	9.1	3Ø 200V 50/60Hz	RSIR	186 / 212	1.25 / 1.26	-	-
				RSCR	-	-	-	-
	QA91J20TA00	9.1	100V 50/60Hz	CSIR	-	-	-	-
				CSCR	186 / 212	1.05 / 1.16	-	-
	QA110C22TA00	11.0	100V 50/60Hz	CSIR	-	-	-	-
				CSCR	253 / 260	1.17 / 1.20	-	-
QA110J24TA00	11.0	100V 50/60Hz	CSIR	-	-	-	-	
			CSCR	236 / 273	1.07 / 1.21	-	-	
QA110J34MAM0	11.0	3Ø 200V 50/60Hz	RSIR	236 / 273	1.23 / 1.30	-	-	
			RSCR	-	-	-	-	
QA125J27TA00	12.5	100V 50/60Hz	CSIR	-	-	-	-	
			CSCR	266 / 320	1.05 / 1.20	-	-	
QA125J35MAM0	12.5	3Ø 200V 50/60Hz	RSIR	266 / 320	1.22 / 1.29	-	-	
			RSCR	-	-	-	-	
QB	QB51C10GPX6	5.1	220V 60Hz	RSIR	157	1.26	-	-
				RSCR	-	-	-	-

Notes: All data covered by this catalogue are given as general information only.
The product specifications and availability are subjected to change without notice.

Performance

Application : Low Back Pressure

Refrigerant : R134a (CF₃CH₂F)

Evaporator Temperature Range : -35°C to -5°C

Series	Model	Displacement (cm ³)	Voltage / Frequency	Motor Type	ASHRAE		CECOMAF	
					Capacity	COP	Capacity	COP
					W	W/W	W	W/W
QB	QB51C11GAX6	5.1	220V 60Hz	RSIR	157	1.18	-	-
				RSCR	-	-	-	-
	QB51C74GAW5	5.1	220/240V 50Hz	RSIR	128 / 128	1.21 / 1.19	-	-
				RSCR	-	-	-	-
	QB51C95GPX5	5.1	220V 50Hz	RSIR	128	1.19	-	-
				RSCR	-	-	-	-
	QB51C99GAX0	5.1	220V 50/60Hz	RSIR	128 / 157	1.19 / 1.21	-	-
				RSCR	-	-	-	-
	QB51C99GLX5	5.1	220V 50Hz	RSIR	128	1.19	-	-
				RSCR	-	-	-	-
	QB57C11GAX0	5.7	220V 50/60Hz	RSIR	146 / 175	1.22 / 1.25	-	-
				RSCR	-	-	-	-
	QB57C11GLX5	5.7	220V 50Hz	RSIR	146	1.22	-	-
				RSCR	-	-	-	-
	QB57C11GPX5	5.7	220V 50Hz	RSIR	146	1.20	-	-
				RSCR	-	-	-	-
	QB57C12GPX6	5.7	220V 60Hz	RSIR	175	1.25	-	-
				RSCR	-	-	-	-
	QB57C13GAX6	5.7	220V 60Hz	RSIR	175	1.18	-	-
				RSCR	-	-	-	-
	QB57C86GAX0	5.7	220V 50/60Hz	RSIR	146 / 175	1.22 / 1.25	-	-
				RSCR	-	-	-	-
	QB57C87GAW5	5.7	220/240V 50Hz	RSIR	146 / 146	1.23 / 1.19	-	-
				RSCR	-	-	-	-
QB57C88RA00	5.7	100V 50/60Hz	RSIR	148 / 178	1.23 / 1.27	-	-	
			RSCR	148 / 178	1.29 / 1.33	-	-	
QB57C97GAR6	5.7	110/127V 60Hz	RSIR	175 / 175	1.24 / 1.21	-	-	
			RSCR	-	-	-	-	
QB66C11GAR6	6.6	110/127V 60Hz	RSIR	200 / 200	1.26 / 1.21	-	-	
			RSCR	-	-	-	-	

Notes: All data covered by this catalogue are given as general information only.
The product specifications and availability are subjected to change without notice.

Performance

Application : Low Back Pressure

Refrigerant : R134a (CF₃CH₂F)

Evaporator Temperature Range : -35°C to -5°C

Series	Model	Displacement (cm ³)	Voltage / Frequency	Motor Type	ASHRAE		CECOMAF	
					Capacity	COP	Capacity	COP
					W	W/W	W	W/W
QB	QB66C12CA00	6.6	100V 50/60Hz	CSIR	150 / 185	1.09 / 1.19	-	-
				CSCR	-	-	-	-
	QB66C13GAX5	6.6	220V 50Hz	RSIR	165	1.23	-	-
				RSCR	-	-	-	-
	QB66C13GLX5	6.6	220V 50Hz	RSIR	165	1.23	-	-
				RSCR	-	-	-	-
	QB66C13GPX5	6.6	220V 50Hz	RSIR	165	1.23	-	-
				RSCR	-	-	-	-
	QB66C13RA00	6.6	100V 50/60Hz	RSIR	165 / 200	1.21 / 1.28	-	-
				RSCR	165 / 200	1.29 / 1.37	-	-
	QB66C14GPX6	6.6	220V 60Hz	RSIR	200	1.28	-	-
				RSCR	-	-	-	-
	QB66C15GAX6	6.6	220V 60Hz	RSIR	200	1.24	-	-
				RSCR	-	-	-	-
	QB66C16GAX0	6.6	220V 50/60Hz	RSIR	165 / 200	1.23 / 1.31	-	-
				RSCR	-	-	-	-
	QB66C97GAW5	6.6	220/240V 50Hz	RSIR	165 / 165	1.25 / 1.23	-	-
				RSCR	-	-	-	-
	QB73C12GAW5	7.3	220/240V 50Hz	RSIR	185 / 185	1.26 / 1.23	-	-
				RSCR	-	-	-	-
	QB73C15GAX5	7.3	220V 50Hz	RSIR	185	1.23	-	-
				RSCR	-	-	-	-
	QB73C16GAX5	7.3	220V 50Hz	RSIR	185	1.26	-	-
				RSCR	-	-	-	-
QB73C16GAX6	7.3	220V 60Hz	RSIR	213	1.25	-	-	
			RSCR	-	-	-	-	
QB77C13GAW5	7.7	220/240V 50Hz	RSIR	202 / 202	1.27 / 1.25	-	-	
			RSCR	-	-	-	-	
QB77C13RAR6	7.7	110/127V 60Hz	RSIR	-	-	-	-	
			RSCR	224 / 224	1.31 / 1.25	-	-	

Notes: All data covered by this catalogue are given as general information only.
The product specifications and availability are subjected to change without notice.

Performance

Application : Low Back Pressure

Refrigerant : R134a (CF₃CH₂F)

Evaporator Temperature Range : -35°C to -5°C

Series	Model	Displacement (cm ³)	Voltage / Frequency	Motor Type	ASHRAE		CECOMAF	
					Capacity	COP	Capacity	COP
					W	W/W	W	W/W
QB	QB77C16GAX5	7.7	220V 50Hz	RSIR	202	1.26	-	-
				RSCR	-	-	-	-
	QB77C16GLX5	7.7	220V 50Hz	RSIR	202	1.24	-	-
				RSCR	-	-	-	-
	QB77C16GPX5	7.7	220V 50Hz	RSIR	202	1.24	-	-
				RSCR	-	-	-	-
	QB77C18GAX0	7.7	220V 50/60Hz	RSIR	202 / 224	1.25 / 1.31	-	-
				RSCR	-	-	-	-
	QB77C18GAX6	7.7	220V 60Hz	RSIR	224	1.22	-	-
				RSCR	-	-	-	-
	QB77C19GPX6	7.7	220V 60Hz	RSIR	224	1.22	-	-
				RSCR	-	-	-	-
	QB86C13GAW5	8.6	220/240V 50Hz	RSIR	222 / 222	1.27 / 1.25	-	-
				RSCR	-	-	-	-
	QB86C18GAX5	8.6	220V 50Hz	RSIR	222	1.26	-	-
				RSCR	-	-	-	-
	QB86C18TA00	8.6	100V 50/60Hz	CSIR	-	-	-	-
				CSCR	222 / 248	1.28 / 1.35	-	-
	QB91C16GAW5	9.1	220/240V 50Hz	RSIR	236 / 236	1.28 / 1.25	-	-
				RSCR	-	-	-	-
	QB91C16TAR6	9.1	110/127V 60Hz	CSIR	-	-	-	-
				CSCR	255 / 255	1.30 / 1.27	-	-
	QB91C18CA00	9.1	100V 50/60Hz	CSIR	207 / 251	1.08 / 1.21	-	-
				CSCR	-	-	-	-
QB91C18GAX0	9.1	220V 50/60Hz	RSIR	236 / 255	1.23 / 1.28	-	-	
			RSCR	-	-	-	-	
QB91C19GAX5	9.1	220V 50Hz	RSIR	236	1.29	-	-	
			RSCR	-	-	-	-	
QB91C20GPX6	9.1	220V 60Hz	RSIR	255	1.22	-	-	
			RSCR	-	-	-	-	

Notes: All data covered by this catalogue are given as general information only.
The product specifications and availability are subjected to change without notice.

Performance

Application : Low Back Pressure

Refrigerant : R134a (CF₃CH₂F)

Evaporator Temperature Range : -35°C to -5°C

Series	Model	Displacement (cm ³)	Voltage / Frequency	Motor Type	ASHRAE		CECOMAF	
					Capacity	COP	Capacity	COP
					W	W/W	W	W/W
QB	QB91C21GAX6	9.1	220V 60Hz	RSIR	255	1.22	-	-
				RSCR	-	-	-	-
	QB91C21RPX5	9.1	220V 50Hz	RSIR	-	-	-	-
				RSCR	236	1.28	-	-
	QB91C24GAX0	9.1	220V 50/60Hz	RSIR	236 / 255	1.23 / 1.26	-	-
				RSCR	-	-	-	-
	QB110C17TAR6	11.0	127V 60Hz	CSIR	-	-	-	-
				CSCR	279	1.26	-	-
	QB110C19GAW5	11.0	220/240V 50Hz	RSIR	273 / 273	1.22 / 1.19	-	-
				RSCR	-	-	-	-
	QB110C25CAX0	11.0	220V 50/60Hz	CSIR	273 / 279	1.18 / 1.19	-	-
				CSCR	-	-	-	-
QB110C25GAX5	11.0	220V 50Hz	RSIR	273	1.18	-	-	
			RSCR	-	-	-	-	
QBH	QBH51C90GLX	5.1	220V 50Hz	RSIR	142	1.27	-	-
				RSCR	-	-	-	-
	QBH57C10GLX	5.7	220V 50Hz	RSIR	162	1.28	-	-
				RSCR	-	-	-	-
	QBH57C10GPX	5.7	220V 50Hz	RSIR	162	1.28	-	-
				RSCR	-	-	-	-
	QBH57C15RLX	5.7	220V 50Hz	RSIR	-	-	-	-
				RSCR	162	1.31	-	-
	QBH66C13GPX	6.6	220V 50Hz	RSIR	178	1.30	-	-
				RSCR	-	-	-	-
	QBH66C13RLX	6.6	220V 50Hz	RSIR	-	-	-	-
				RSCR	178	1.30	-	-
QBH73C13GAE	7.3	220V 50/60Hz	RSIR	202 / 265	1.30 / 1.42	-	-	
			RSCR	-	-	-	-	
QBH73C15RLX	7.3	220V 50Hz	RSIR	-	-	-	-	
			RSCR	202	1.35	-	-	

Notes: All data covered by this catalogue are given as general information only.
The product specifications and availability are subjected to change without notice.

Performance

Application : Low Back Pressure

Refrigerant : R134a (CF₃CH₂F)

Evaporator Temperature Range : -35°C to -5°C

Series	Model	Displacement (cm ³)	Voltage / Frequency	Motor Type	ASHRAE		CECOMAF	
					Capacity	COP	Capacity	COP
					W	W/W	W	W/W
QBH	QBH73C16GPX	7.3	220V 50Hz	RSIR	202	1.32	-	-
				RSCR	-	-	-	-
	QBH73C20RLX	7.3	220V 50Hz	RSIR	-	-	-	-
				RSCR	202	1.24	-	-
	QBH77C16RLX	7.7	220V 50Hz	RSIR	-	-	-	-
				RSCR	220	1.32	-	-
	QBH86C19RLX	8.6	220V 50Hz	RSIR	-	-	-	-
				RSCR	240	1.32	-	-
QBH86C19RPX	8.6	220V 50Hz	RSIR	-	-	-	-	
			RSCR	240	1.42	-	-	
MJA	MJA57C90RLU	5.7	115V 60Hz	RSIR	-	-	-	-
				RSCR	205	1.69	-	-

Application : High Back Pressure

Refrigerant : R134a (CF₃CH₂F)

Evaporator Temperature Range : -5°C to 15°C

Series	Model	Displacement (cm ³)	Voltage / Frequency	Motor Type	ASHRAE		CECOMAF	
					Capacity	COP	Capacity	COP
					W	W/W	W	W/W
QA	QA43K10CA00	4.3	100V 50/60Hz	CSIR	385 / 435	2.01 / 2.10	-	-
				CSCR	-	-	-	-
	QA43K11CAS0	4.3	200V 50/60Hz	CSIR	385 / 435	2.12 / 2.16	-	-
				CSCR	-	-	-	-
	QA43K11GAU6	4.3	115V 60Hz	RSIR	435	2.03	-	-
				RSCR	-	-	-	-
	QA51K11CAR6	5.1	110/127V 60Hz	CSIR	530 / 530	2.14 / 2.15	-	-
				CSCR	-	-	-	-
	QA51K12CA00	5.1	100V 50/60Hz	CSIR	450 / 530	2.05 / 2.09	-	-
				CSCR	-	-	-	-

Notes: All data covered by this catalogue are given as general information only.
The product specifications and availability are subjected to change without notice.

Performance

Application : High Back Pressure

Refrigerant : R134a (CF₃CH₂F)

Evaporator Temperature Range : -5°C to 15°C

Series	Model	Displacement (cm ³)	Voltage / Frequency	Motor Type	ASHRAE		CECOMAF	
					Capacity	COP	Capacity	COP
					W	W/W	W	W/W
QA	QA51K13GAU6	5.1	115V 60Hz	RSIR	530	2.12	-	-
				RSCR	-	-	-	-
	QA51K13GAW5	5.1	220/240V 50Hz	RSIR	450 / 450	2.18 / 2.10	-	-
				RSCR	-	-	-	-
	QA66K13CAR6	6.6	110/127V 60Hz	CSIR	680 / 680	2.27 / 2.28	-	-
				CSCR	-	-	-	-
	QA66K15CA00	6.6	100V 50/60Hz	CSIR	580 / 680	2.12 / 2.19	-	-
				CSCR	-	-	-	-
	QA66K16GAU6	6.6	115V 60Hz	RSIR	680	2.22	-	-
				RSCR	-	-	-	-
	QA77K18CAW5	7.7	220/240V 50Hz	CSIR	680 / 680	2.34 / 2.31	-	-
				CSCR	-	-	-	-
	QA77K18CAX0	7.7	220V 50/60Hz	CSIR	680 / 830	2.39 / 2.33	-	-
				CSCR	-	-	-	-
	QA77K19CAU6	7.7	115V 60Hz	CSIR	830	2.22	-	-
				CSCR	-	-	-	-
	QA91K20TA00	9.1	100V 50/60Hz	CSIR	-	-	-	-
				CSCR	800 / 930	2.39 / 2.37	-	-
	QA91K21CAW5	9.1	220/240V 50Hz	CSIR	800 / 800	2.27 / 2.22	-	-
				CSCR	-	-	-	-
QA91K22GAU6	9.1	115V 60Hz	RSIR	930	2.17	-	-	
			RSCR	-	-	-	-	
QA110K23CAW5	11.0	220/240V 50Hz	CSIR	980 / 980	2.30 / 2.29	-	-	
			CSCR	-	-	-	-	
QA110K24TA00	11.0	100V 50/60Hz	CSIR	-	-	-	-	
			CSCR	980 / 1150	2.32 / 2.36	-	-	
QA110K27CAU6	11.0	115V 60Hz	CSIR	1150	2.20	-	-	
			CSCR	-	-	-	-	
QA110K27GAU6	11.0	115V 60Hz	RSIR	1150	2.20	-	-	
			RSCR	-	-	-	-	

Notes: All data covered by this catalogue are given as general information only.
The product specifications and availability are subjected to change without notice.

Performance

Application : High Back Pressure

Refrigerant : R134a (CF₃CH₂F)

Evaporator Temperature Range : -5°C to 15°C

Series	Model	Displacement (cm ³)	Voltage / Frequency	Motor Type	ASHRAE		CECOMAF	
					Capacity	COP	Capacity	COP
					W	W/W	W	W/W
QA	QA110K30CAR6	11.0	110/127V 60Hz	CSIR	1150 / 1150	2.16 / 2.16	-	-
				CSCR	-	-	-	-
	QA125K26CAW5	12.5	220/240V 50Hz	CSIR	1100 / 1100	2.18 / 2.13	-	-
				CSCR	-	-	-	-
	QA125K27TA00	12.5	100V 50/60Hz	CSIR	-	-	-	-
				CSCR	1100 / 1325	2.31 / 2.30	-	-
	QA125K29CAU6	12.5	115V 60Hz	CSIR	1325	2.07	-	-
				CSCR	-	-	-	-
	QA125K29CAX5	12.5	220V 50Hz	CSIR	1100	2.21	-	-
				CSCR	-	-	-	-
	QA125K29GAU6	12.5	115V 60Hz	RSIR	1325	2.07	-	-
				RSCR	-	-	-	-
	QA125K30CAR6	12.5	127V 60Hz	CSIR	1325	2.08	-	-
				CSCR	-	-	-	-

OPERATING VOLTAGE RANGE

For 100V 50/60Hz	: 90V~110V
For 110V 60Hz	: 88V~121V, 90V~110V, 99V~121V, 90V~121V
For 110/127V 60Hz	: 99V~140V
For 115V 60Hz	: 103V~127V
For 200V 50Hz	: 180V~242V
For 200V 50/60Hz	: 180V~220V
For 220V 50Hz	: 170V~250V
For 220V-230V 50Hz	: 198V~253V
For 220-240V 50Hz	: 198V~264V
For 230-240V 50Hz	: 195V~264V, 207V~264V
For 220V 50/60Hz	: 170V~250V, 198V~242V
For 220V 60Hz	: 170V~250V
For 240V 50Hz	: 216V~264V

** Performance Data using Eco Relay

Notes: All data covered by this catalogue are given as general information only.
The product specifications and availability are subjected to change without notice.

Performance

LOW BACK PRESSURE

<u>TESTING CONDITION</u>	<u>ASHRAE</u>	<u>CECOMAF</u>
Condensing Temperature:	54.4 °C	55 °C
Evaporating Temperature:	-23.3 °C	-25 °C
Gas Superheated to:	32.2 °C	32 °C
Liquid Subcooled to:	32.2 °C	32 °C
Ambient Temperature:	32.2 °C	32 °C

HIGH BACK PRESSURE

<u>TESTING CONDITION</u>	<u>ASHRAE</u>
Condensing Temperature:	54.4 °C
Evaporating Temperature:	7.2 °C
Gas Superheated to:	35.0 °C
Liquid Subcooled to:	46.1 °C
Ambient Temperature:	35.0 °C

Notes: All data covered by this catalogue are given as general information only.
The product specifications and availability are subjected to change without notice.

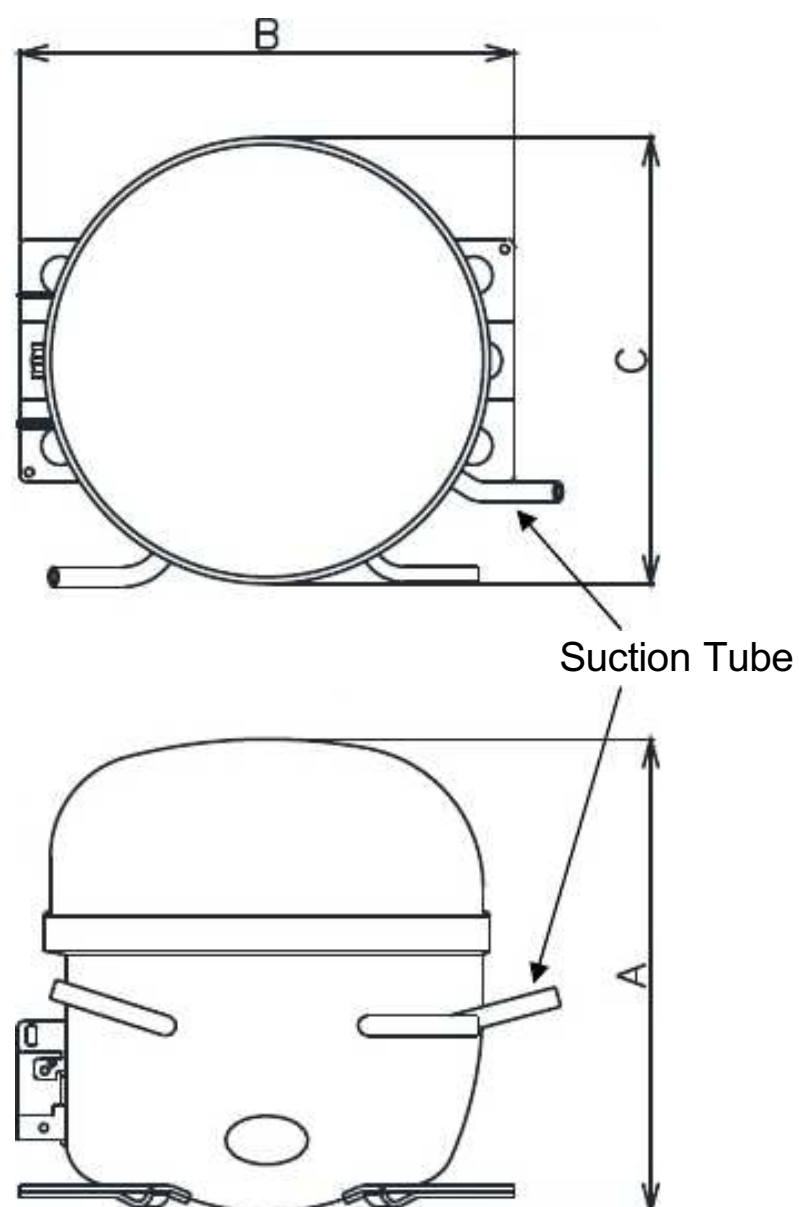
Dimensions

Appearance (Representative)

Rated Voltage / Frequency	Dimension (mm)			Mount	
	A	B	C	Dia. (mm)	Pitch (mm)
As indicated in the earlier table	196	204	184	Ø16 * 6	70 * 170

Tube Dimension (Representative)

Rated Voltage / Frequency	ID / OD (mm)			Location of Suction Tube
	Discharge	Suction	Process	
As indicated in the earlier table	5.1 / 7.0	6.2 / 7.94	6.2 / 7.94	Right Side



Notes: All data covered by this catalogue are given as general information only.
The product specifications and availability are subjected to change without notice.