

Compressor Technical Data

Model **EGM90AZ** Code **552090380116**

LBP

General Data

Refrigerant:	R134a
Application:	LBP
Evaporating Temperature Range:	-30°C to -10°C
Voltage/Frequency:	220-240V 50Hz 1~
Compressor Cooling:	Static
Expansion Device:	Capillary Tube
Packaging Quantity:	Multi - 96:120 pcs
Approvals:	CE-VDE-GOST



Mechanical Data

Oil Charge:	300 cm ³
Oil Type Configuration:	ester
Oil Type Viscosity:	19 cSt
Weight:	10 kg

Electrical Data

Motor Type:	RSIR / RSCR*
Voltage working range at 50 Hz:	187-264V
Maximum Motor Temperature:	130°C
Locked Rotor Current:	14.46 / 9.86 A
Start Winding Resistance:	19.08 Ω at 25°C
Run Winding Resistance:	7.70 Ω at 25°C
Phase :	1 ph

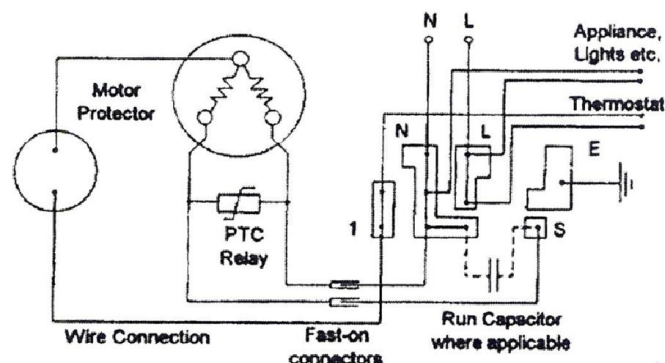
External Characteristics

Internal Diameter	(mm)
Suction Connector	6.5
Discharge Connector	4.9
Process Connector	6.5
Material	Copper

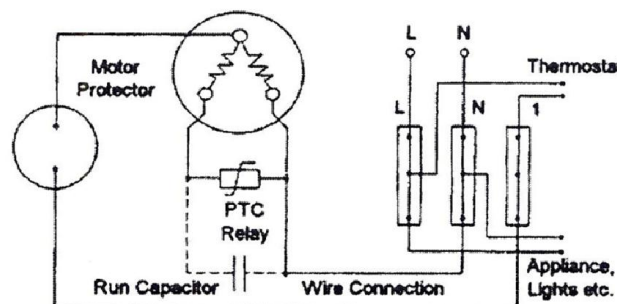
Electrical Components

Component Type	
Starting Device:	PTC 14Ω
Motor Protection:	T0490/xx

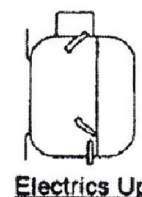
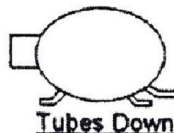
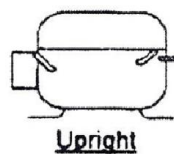
Circuit Diagram for Mod.90 Terminal Board



Circuit Diagram for U.H. Terminal Board

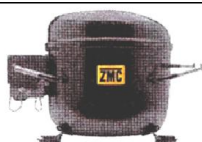


Recommended Transport
Positions when fitted into
appliances



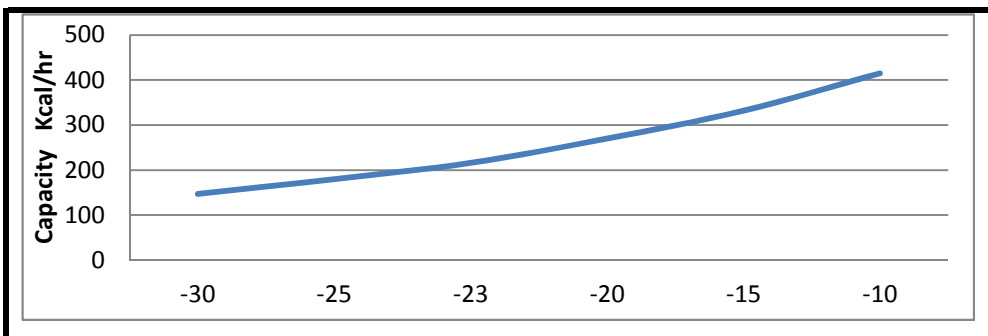
MCMC compressors reserves the right to change the data without prior notice

10th of Ramadan City - (Cairo) Egypt
Industrial Zone A-2
P.o Box : 1001 (10th of Ramadan)
Tel. : 0554 - 413322 (10 lines)
Fax. : 0554 - 413161 - 413029
Web site : <http://www.zmcegypt.com>

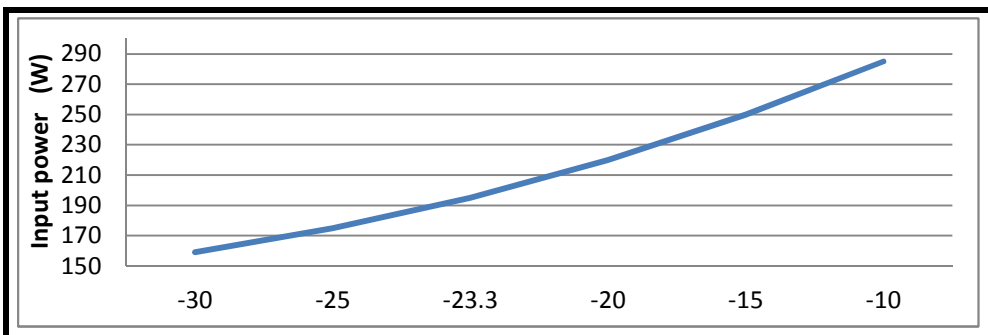


العاشر من رمضان
المنطقة الصناعية أ - ٢
ص.ب: ١٠٠١ العاشر من رمضان
تليفون: ٤١٣٣٢٢ - ٠٥٥٤ (١٠ خطوط)
فاكس: ٤١٣١٦١ - ٤١٣٠٢٩ (٠٥٥٤)

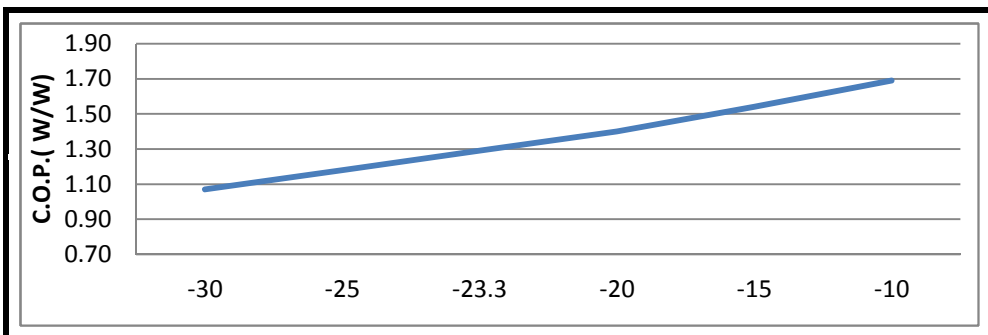
PERFORMANCE CURVE DATA :



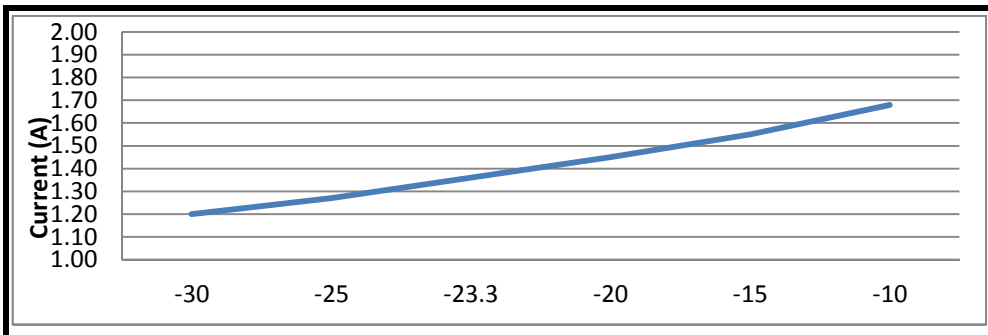
Capacity - Kcal/hr	147	180	216	270	332	415
Evap. Temp. (°C)	-30	-25	-23.3	-20	-15	-10



Input power (W)	159	175	195	220	250	285
Evap. Temp. (°C)	-30	-25	-23.3	-20	-15	-10



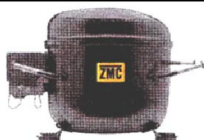
C.O.P. W/W	1.07	1.18	1.29	1.40	1.54	1.69
Evap. Temp. (°C)	-30	-25	-23.3	-20	-15	-10



Current (A)	1.20	1.27	1.36	1.45	1.55	1.68
Evap. Temp. (°C)	-30	-25	-23.3	-20	-15	-10

Test Condition: Ashrae, Static, Return Gas 32°C Subcooling OK, Evaporating: 23.3°C, Condensing: 55°C , Ambient: 32°C

10th of Ramadan City - (Cairo) Egypt
 Industrial Zone A-2
 P.o Box : 1001 (10th of Ramadan)
 Tel. : 0554 - 413322 (10 lines)
 Fax. : 0554 - 413161 - 413029
 Web site : <http://www.zmcegypt.com>



العاشر من رمضان
 المنطقة الصناعية أ - ٢
 ص.ب : ١٠٠١ العاشر من رمضان
 تليفون : ٤١٣٣٢٢ - ٠٥٥٤ (١٠ خطوط)
 فاكس : ٤١٣١٦١ - ٤١٣٠٢٩ (٠٥٥٤)

GM, GN and GL models

HL and HP models

Standard dimensions for mounting hole centres: 170x70 mm

Special feet

Models	Distance between holes	Holes diameter
GM/GN/HL/HP/GP	165 x 101.6	4 x 19
	170 x 70	6 x 165

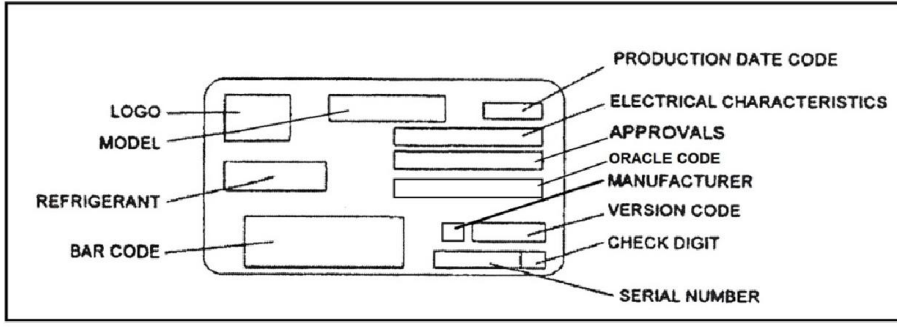
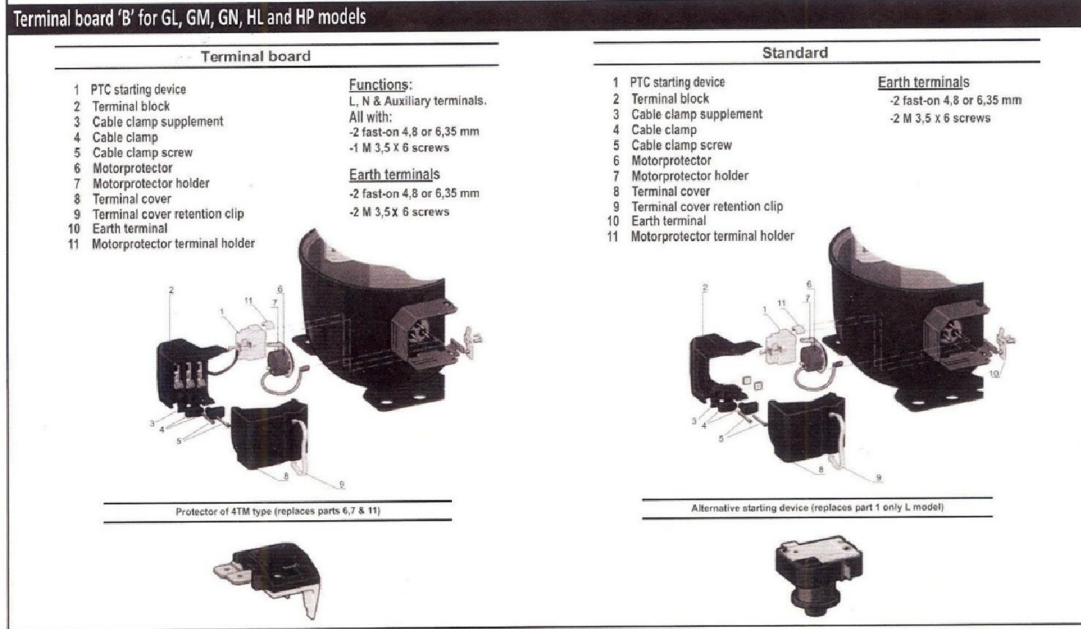
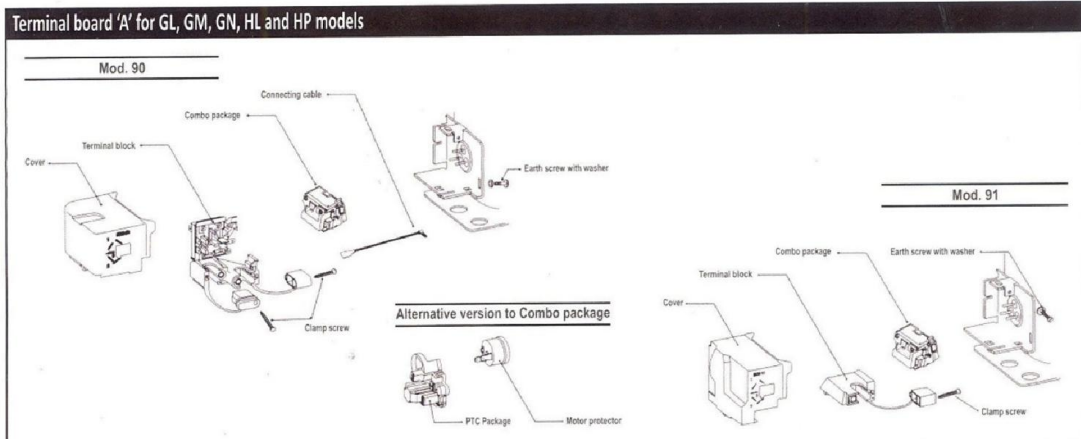
Material	Tube internal diameter "GM", "GN", "GL", "HL" "HP" and "GP"		
	Suction	Service	Discharge
Copper steel / copper	6.1	6.1	4.9
Copper	6.1	6.1	5.1
Copper	6.5	6.5	4.9
Copper	8.1	8.1	6.5

Mounting accessories

Standard

Standard





10th of Ramadan City - (Cairo) Egypt
Industrial Zone A-2
P.o Box : 1001 (10th of Ramadan)
Tel. : 0554 - 413322 (10 lines)
Fax. : 0554 - 413161 - 413029
Web site : <http://www.zmcegypt.com>



العاشر من رمضان
المنطقة الصناعية أ - ٢
ص.ب: ١٠٠١ العاشر من رمضان
تليفون : ٠٥٥٤ - ٤١٣٣٢٢ (١٠ خطوط)
فاكس : ٤١٣٠٢٩ - ٤١٣١٦١ (٠٥٥٤)