



*Tecumseh*

*Cooling  
For a Better  
Tomorrow™*



Rotary • Reciprocating • Scroll

Energy Efficient  
Reliable & Silent  
Globally Accepted

Commercial Refrigeration Compressors



*Tecumseh*

**Touching the lives of millions for more than 75 years.**

Innovative, durable and highly efficient products are at the heart of Tecumseh. Our products touch the lives of millions every day, driving us as a leading global manufacturer of hermetic compressors and condensing units for residential, commercial refrigeration and air conditioning applications.

Today, we are a recognized leader in commercial refrigeration compressors. From walk in cold rooms, display cases, reach in and milk coolers to ice machines and freezers, we design and manufacture commercial refrigeration compressors for demanding commercial environments. Large and small business owners around the world rely on Tecumseh's products to

deliver the optimum properties to keep food and beverages cold, make and store ice, and to keep snack-treats, ice-creams, lunches and dinners at an ideal cool temperature. From chilling to freezing, Tecumseh commercial compressors, condensing units and systems offer solutions that are designed to perform under tough, strenuous conditions. And that's where Tecumseh has earned its reputation.

Tecumseh has responded to the challenges of the commercial refrigeration marketplace for over seven decades, leading the way with improved products and services. A company-wide dedication to quality control has already earned Tecumseh the highest quality rating from major commercial refrigeration manufacturers. And the people we employ are honored to touch so many lives, in so many countries, every day.



## Commercial Refrigeration Compressors

230 V, 50Hz, 1Ph															
	Compressor Model	Disp /Rev CC	Capacity Btu/hr	Power Watts	EER Btu/Whr	Current Amps	LRA Amps	Circuit	Over Load Protector	Start Relay	Start Capacitor Mfd, VAC	Run Capacitor Mfd, VAC	Oil Qty CC	Net Wt Kg	
R134A LBP	THK1330YCF	3.14	280	80	3.50	0.70	7.0	PTCSIR	4TM181NFBYY53	8EA17C1	-	-	230	7.0	
	THK1330YCF	3.14	280	80	3.50	0.70	7.0	RSIR	4TM189NFBYY53 14949989	R13200100	-	-	250	7.0	
	THK1340YCF	4.00	365	94	3.88	0.80	8.1	PTCSIR	4TM189NFBYY53 14949989	8EA17C1 / IN026	-	-	230	7.4	
	THK1352YCF	5.01	460	116	4.00	1.04	8.5	PTCSIR	THOLP001 5TM213PFBYY53	8EA17C1 / IN026	-	-	230	8.4	
	THK1358YCF	5.60	500	121	4.13	1.00	9.0	PTCSIR	5TM213PFBYY53	8EA17C1 / IN026	-	-	230	8.4	
	THK1358YCF	5.60	500	121	4.13	1.00	9.0	RSIR	5TM213PFBYY53	R13300200	-	-	230	8.4	
	THK1365YCG	5.90	540	128	4.22	1.00	9.0	PTCSIR	5TM213PFBYY53	8EA19C1	-	-	230	8.4	
	THK1365YCG	5.90	540	128	4.22	1.00	9.0	CSIR	5TM213PFBYY53	14948978	40-60, 275	-	-	230	8.4
	THK1374YFS	6.90	600	143	4.20	1.20	11.0	CSIR	5TM283PFBYY53 (14953178)	14954637	40-60, 330	-	-	250	8.6
	TWB1390YGS	8.36	845	192	4.40	1.62	15.0	CSIR	14954632, 14961369 (MSP63AM115/61)	14954636, 14961359 (9660D-3018-142)	64-77, 250	-	-	400	11.0
	TPH2415YFS	12.52	1240	274	4.53	2.60	21.0	CSIR	14954629, MRA12367- 9011 (MSP40AP)	14954635 9660D-3018-163	145-175, 250	-	-	205	11.3
	AWX2421YGE	39.60	1975	492	4.01	3.50	40.0	CSR	Internal	RVA4H3D/PR2	150-200, 275	25, 440	950	27.0	
AWX2431YGE	54.90	2600	700	3.71	4.50	50.0	CSR	Internal	RVA4H3D/PR2	150-200, 275	25, 440	950	27.7		
R404A LBP	AWX2450ZGE	43.30	4800	1050	4.60	6.00	55.0	CSR	Internal	RVA3E3D/PR3	150-200, 275	45, 440	1050	29.0	
	AWX2460ZGE	55.38	5750	1250	4.00	7.50	65.0	CSR	Internal	RVA4H3D/PR2	150-200, 275	45, 440	1050	29.0	
R134A CBP	THK9370YXC	3.40	640	115	5.57	0.90	8.0	CSIR	THOLP003	9660D-3018-098	145-175, 250	-	270	7.4	
	THK0384YCG	4.00	755	148	5.10	1.20	10.3	PTCSIR	5TM222RFBYY53	8EA17C1 / IN026	-	-	270	7.4	
	THK9384YCG	4.00	755	148	5.10	1.20	10.3	CSIR	5TM222RFBYY53	14948259	40-60, 330	-	270	7.4	
	THK0410YCG	5.01	940	175	5.37	1.40	12.5	PTCSIR	5TM232PFBYY53	8EA17C1 / IN026	-	-	270	8.4	
	THK0410YCG	5.01	940	175	5.37	1.40	12.5	RSIR	5TM232PFBYY53	R13600100	-	-	270	8.4	
	THK9410YCG	5.01	940	175	5.37	1.40	12.5	CSIR	5TM232PFBYY53	14948260 9660-3018-118	40-60, 330	-	270	8.4	
	THK9412YJE	5.60	1080	170	6.35	0.92	9.0	CSR	14963665 14962568	14963663	40-60, 330	5, 440	270	8.3	
	THK9414YJE	6.58	1250	193	6.50	1.10	9.0	CSR	14963665 14962568	14963663	40-60, 330	5, 440	270	8.7	
	THK9414YGS	6.90	1250	230	5.43	1.60	15.0	CSIR	14954945	14954254	40-60, 330	-	270	8.7	
	THK9417YKS	8.21	1600	267	6.00	1.20	10.0	CSR	14963666, 14962025, (MSP61AM110/61)	14963664	40-60, 330	10, 440	270	8.9	
	TPA9417YFS	8.37	1650	324	5.09	2.40	14.0	CSIR	14954629, MRA12367- 9011 (MSP40AP)	14954633, 9660D-3018-147	88-108, 220	-	270	11.0	
	TPA9421YFS	10.87	2020	370	5.46	2.80	15.5	CSIR	14954630, MRA12364- 9011, (MSP36AL)	RP5018-ZR, 9660D-3018-155	88-108, 330	-	270	11.5	
	R134A HMBP	THK4420YCG	5.01	1725	212	8.13	1.55	12.5	CSIR	5TM232PFBYY53	14948260, 9660- 3018-118	40-60, 330	-	270	8.4
THK4428YFS		6.90	2370	310	7.65	2.15	15.0	CSIR	14954945	14954254	40-60, 330	-	270	8.6	
THK4430YGS		8.21	2850	347	8.21	1.8	12.0	CSR	14963667(AES), MSP59AM115/61	14963664(AES)	40-60, 330	10, 440	270	8.9	
AEA4440YGS		12.04	3600	528	6.82	4.01	24.7	CSIR	T89007-23	9660D-XXX-162	80-108, 220	-	465	10.8	
AKR4460YGH		18.58	5430	678	8.00	4.60	25.0	CSIR	AKM-0033	AKM-0031	120-150, 275	-	512	17.5	
AKR4476YGH		22.60	6650	831	8.00	5.00	25.0	CSIR	MSP-26-AHN-114	AKM-0031	120-150, 275	-	512	17.5	
R22 HMBP	AKR4461EGE	12.8	5500	645	8.53	3.10	17.0	PSC/CSR	AKM-0033	AKM-0032 RVA3E3D / Pr3	40-60, 330	10, 440	512	17.5	
	AKR5512EGH	22.3	10000	1176	8.50	5.80	35.0	PSC/CSR	MRA8943-115	AKM-0032 RVA3E3D / Pr3	80-100, 330	25, 440	512	17.5	
	AWQ5515EGE	32.7	13000	1400	9.29	6.3	40.0	PSC	Internal	RVA4G3D	80-100, 275	25, 370	1130	26.9	



# Commercial Refrigeration Compressors

400 V, 50Hz, 3Ph													
	Compressor Model	Dis./Rev CC	Capacity Btu/hr	Power Watts	EER Btu/W hr	Current Amps	LRA Amps	Circuit	Over Load Protector	Suggested Contactor Size	Suggested External OLR Range	Oil Qty (CC)	Weight (Kg.)
R22 HMBP	AWS 4515 EGF	30.6	13000	1320	9.85	2.3	18	DOL	Internal	6 Amps	4-6.5 Amps	1100	27.0
	AWS 4520 EGF	39.6	16800	1705	9.85	3.0	18	DOL	Internal	6 Amps	4-6.5 Amps	1100	27.7
	AWS 4524 EGF	43.26	19500	1980	9.85	3.4	22	DOL	Internal	10 Amps	4-6.5 Amps	1100	27.7
	AWS 4532 EGF	54.3	26400	2575	10.25	4.3	30	DOL	Internal	10 Amps	4-6.5 Amps	1100	28.5
	AWS 4538 EGF	63.0	31900	3075	10.37	5.35	45	DOL	Internal	10 Amps	6-10 Amps	1100	30.0

220V-240V, 50Hz, 1Ph														
	Compressor Model	Dis./Rev CC	Capacity Btu/hr	Power Watts	EER Btu/W hr	Current Amps	LRA Amps	Circuit	Over Load Protector	Start Relay	Start Capacitor Mfd, VAC	Run Capacitor Mfd, VAC	Oil Qty (CC)	Net Wt (Kg.)
R134A CBP	THK0370YXC	3.4	640	115	5.57	0.9	8.9	RSIR	14953234, 5TM197NFBYY53	14953233, 9660D-042-098	-	-	270	8.0
	THK0412YXC	5.9	1140	195	5.85	1.45	15.7	RSIR	14958176, 5TM283PFBYY53	14953177, 9660D-042-119	-	-	270	9.0

115V, 60Hz, 1Ph														
	Compressor Model	Dis./Rev CC	Capacity Btu/hr	Power Watts	EER Btu/W hr	Current Amps	LRA Amps	Circuit	Over Load Protector	Start Relay	Start Capacitor Mfd, VAC	Run Capacitor Mfd, VAC	Oil Qty (CC)	Net Wt (Kg.)
R134A CBP	THK0347YAA	2.39	500	98	5.10	1.55	13.5	RSIR	14951614, 5TM757KFBYY53	14951617, 9660D-042-127	-	-	270	8.0
	THK0370YAA	3.40	775	136	5.70	1.95	13.5	RSIR	14951614, 5TM757KFBYY53, 14953995, 5TM757KFBYY54	14951617, 9660D-042-127, 14953986, 9660-D-3015-127	-	-	270	8.0
	THK0384YAA	4.00	930	158	5.89	2.05	14.2	RSIR	14951613, 5TM762KFBYY53, 14953994, 5TM762KFBYY54	14951617, 9660D-042-127, 14953986, 9660D-3015-127	-	-	270	8.5
	THK0410YAA	5.01	1170	218	5.37	3.10	21.9	RSIR	14951612, 5TM771KFBZZ53, 14953993, 5TM771KFBZZ54	14961616, 9660D-042-155, 14953985, 9660D-3015-155	-	-	270	8.5
	THK0412YAA	5.90	1350	252	5.36	3.35	23.2	RSIR	14951611, 5TM444PFBZZ53, 14953992, 5TM444PFBZZ54	14951615, 9660D-042-161, 14953984, 9660D-3015-161	-	-	270	9.0

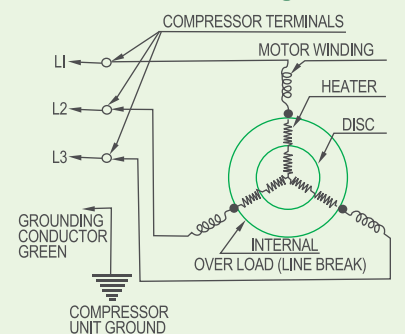
Rating Conditions					
	Ambient Temperature Deg C	Evaporating Temperature Deg C	Condensing Temperature Deg C	Return Gas Temperature Deg C	Liquid Temperature Deg C
High Back Pressure	35	7.2	54.4	35	46.1
Commercial Back Pressure	35	-6.7	54.4	35	46.1
Low Back Pressure	32.2	-23.3	54.4	32.2	32.2

Voltage Codes			
Voltage Code	Voltage Range	Voltage Code	Voltage Range
AA	103 - 127	GH	187 - 264
CF	160 - 260	GS	50 Hz: 180-242 / 60 Hz: 187-242
CG	170 - 260	JE	180 - 260
FS	180 - 242	KS	198 - 264
GE	180 - 264	XC	198 - 264
GF	340 - 460		

## Terminal Identification

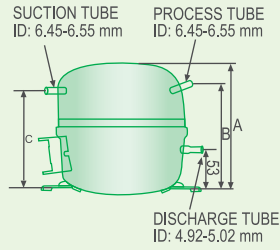
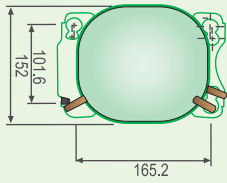


## 3Ph Schematic Diagram



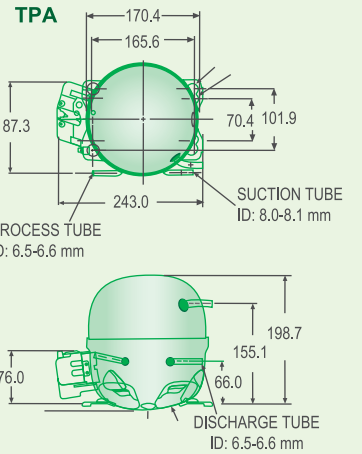
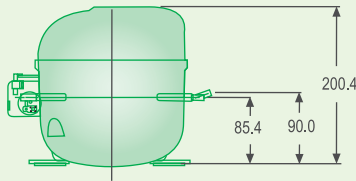
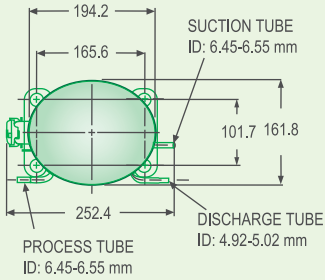
# Physical Dimensions

## TH Series

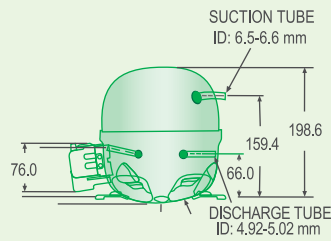
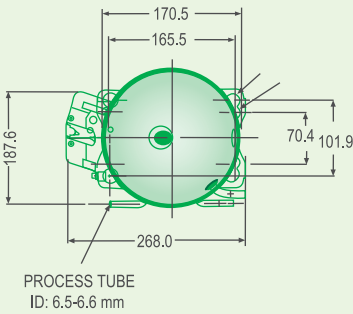


THK Dimensions			
Compressor Models	A	B	C
THK1330Y, THK1340Y THK9370Y, THK0384Y THK9384Y	167.7	144.2	132.2
THK1352Y, THK1358Y THK1365Y, THK0410Y THK9410Y, THK9412Y THK4420Y	171.0	147.5	135.5
THK9414Y, THK1374Y THK4428Y	176.4	152.9	140.9
THK9417Y, THK4430Y	178.6	154.4	142.7

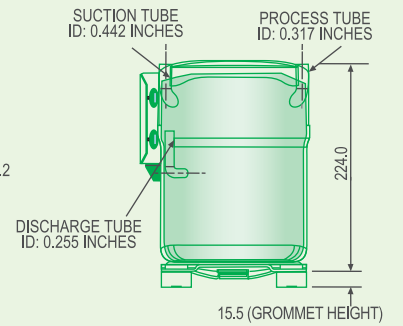
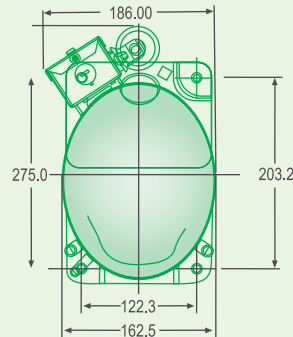
## TWB



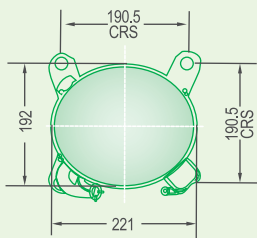
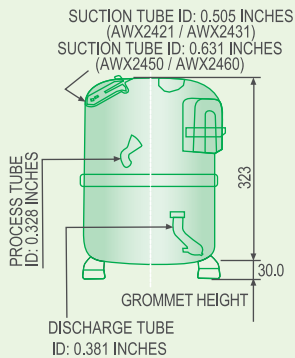
## TPH



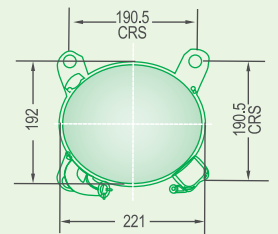
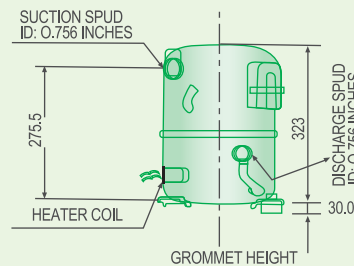
## AK Series



## AW Series

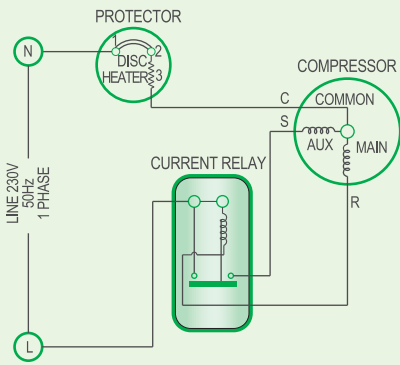


## AWS4 SERIES

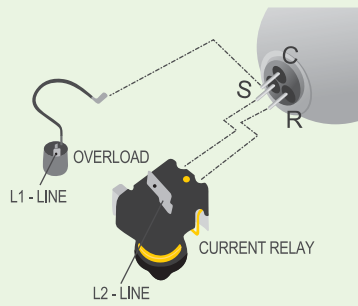


# Schematics & Wiring Diagrams

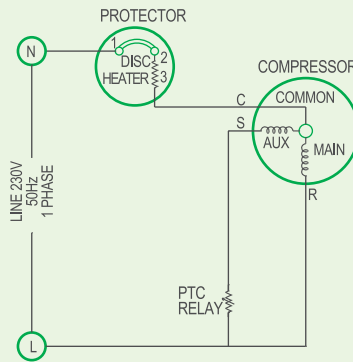
## RSIR CIRCUIT



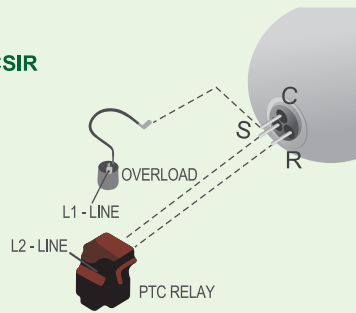
## RSIR



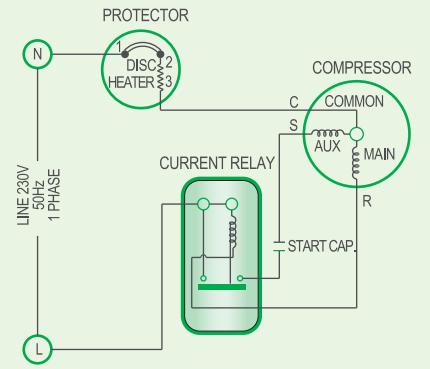
## PTCSIR CIRCUIT



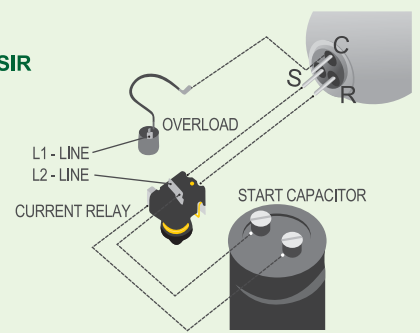
## PTCSIR



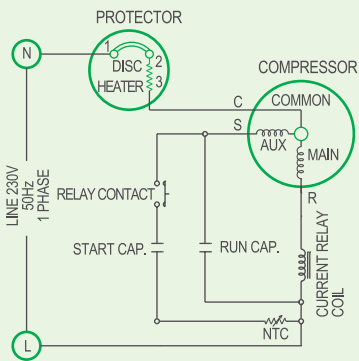
## CSIR CIRCUIT



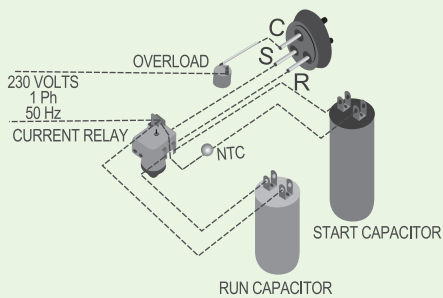
## CSIR



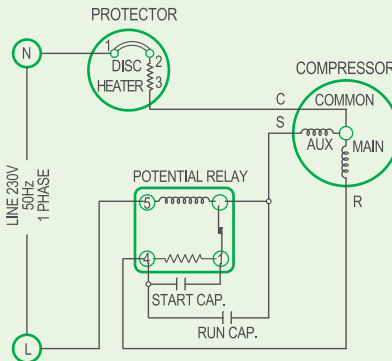
## CSR CIRCUIT WITH CURRENT RELAY & NTC



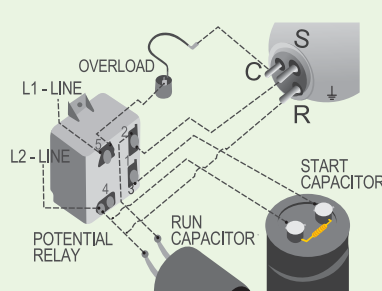
## CSR CIRCUIT WITH CURRENT RELAY & NTC



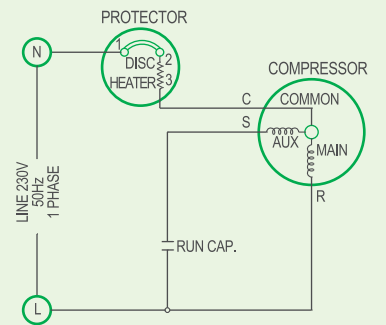
## CSR CIRCUIT



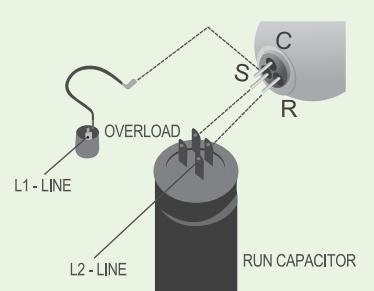
## CSR



## PSC CIRCUIT



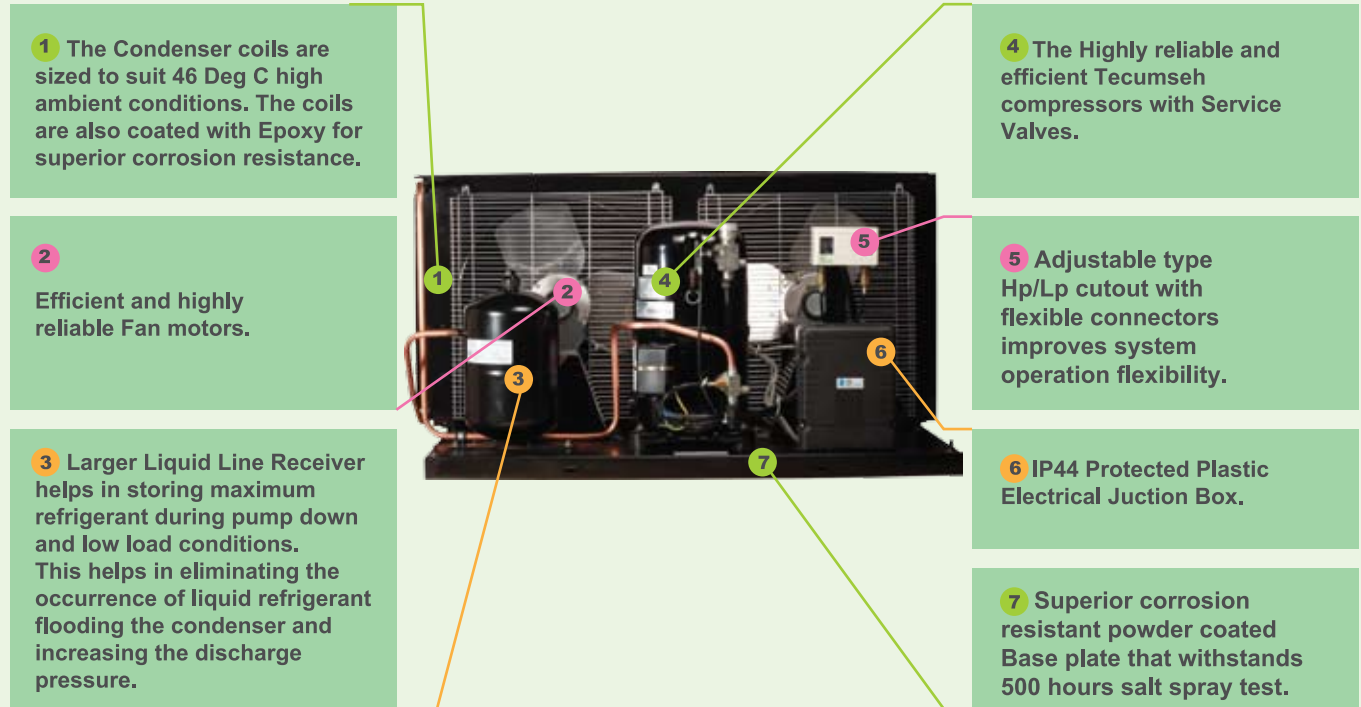
## PSC



## Condensing Units

### The High Temperature Ambient (HTA) Condensing units from the world leader

Tecumseh continues to pioneer the design and development of condensing units for various applications. Our wide range of air and water-cooled, indoor and outdoor condensing units for commercial refrigeration applications, is backed by 75+ years of experience. From small Fractional Horsepower condensing units to large outdoor condensing units, you'll find the right product from Tecumseh.



## Condensing Units

400V, 50Hz, 3Ph											
	Condensing Unit Model	Amb Temp	Cooling Capacity Btu/hr		Power Consumption (Watts)		Airflow	Dimension W x D x H	Receiver Volume	Net Wt	Standard BOM
		Deg C	Evap Temp Deg C		Evap Temp Deg C		CFM	mm	Ltrs	Kg	
			-6.7	7.2	-6.7	7.2					
HMBP R22	TAJT9480TMHR	35	4122	6674	695	883	576	430 x 485 x 340	1.5	40	Compressor, Condenser, Condenser Fan, Fan Guard, Receiver, Electrical Junction Box, Base Plate and Connecting Tubes
		43	3649	5965	724	935					
		46	3492	5740	735	954					
	TAJT9510TMHR	35	4857	7962	865	1098	694	510 x 610 x 395	1.5	41	
		43	4302	7118	901	1162					
		46	4117	6851	915	1186					
	TAJT9513TMHR	35	6840	11089	1050	1384	847	512 x 607 x 446	1.5	41.5	
		43	5508	9097	1090	1471					
		46	5011	8353	1105	1503					
	TAJT4517THR	35	7096	11754	1184	1506	1324	510 x 630 x 445	2.35	44	
		43	6277	10503	1233	1594					
		46	6004	10106	1252	1627					
	TAJT4519THR	35	9516	15780	1610	2031	2083	575 x 607 x 545	2.35	48	
		43	8421	14108	1678	2150					
		46	8057	13578	1703	2194					
	TFHT4524FHR	35	10799	18467	1704	2235	1806	600 x 608 x 558	3.9	70	
		43	9564	16525	1777	2366					
		46	9153	15897	1804	2414					
TFHT4531FHR	35	15057	24196	2351	3055	2825	600 x 608 x 558	6	79		
	43	13337	21653	2450	3233						
	46	12764	20832	2488	3300						
TFHT4540FHR	35	18191	30055	3044	4031	3885	1080 x 650 x 565	6	90		
	43	16113	26895	3172	4266						
	46	15422	25882	3221	4355						
TAGT4546THR	35	20133	36666	3080	4178	3531	1080 x 644 x 565	6	97		
	43	17843	32847	3210	4422						
	46	17076	31625	3259	4513						
TAGT4553THR	35	22758	40873	3638	4804	3531	1080 x 644 x 565	6	96		
	43	20131	36576	3792	5085						
	46	19251	35185	3849	5190						





## Condensing Units

400V, 50Hz, 3Ph															
	Condensing Unit Model	Amb Temp	Cooling Capacity Btu/hr		Power Consumption (Watts)		Airflow	Dimension W x D x H	Receiver Volume	Net Wt	Standard BOM				
		Deg C	Evap Temp Deg C	Evap Temp Deg C	Evap Temp Deg C	CFM	mm	Ltrs	Kg						
HMBP R22	TAGT4561THR	35	26721	45019	4174	5585	3531	1080 x 644 x 565	9,5	108	Compressor, Condenser, Condenser Fan, Fan Guard, Receiver, Electrical Junction Box, Base Plate and Connecting Tubes				
		43	23653	40221	4350	5911									
		46	22631	38683	4416	6033									
		35	30438	52463	4669	6249									
		43	26981	46975	4866	6613									
		46	25828	45206	4940	6750									
	TAGT4568THR	35	31587	54380	4935	6683	3826	1080 x 650 x 565	9,5	135					
		43	27967	48607	5143	7073									
		46	26761	46776	5221	7219									
		35	10598	17070	1611	2032						2084	575 x 607 x 545	2,35	48
		43	9536,5	15535	1678	2151									
		46	9239,7	15136	1704	2196									
	35	11399	19281	1659	2112	2148	600 x 608 x 558	6	68						
	43	9048,6	15385	1793	2332										
	46	8216,1	14634	1844	2415										
	35	14013	23823	2205	2887					3061		1002 x 642 x 469	6	75	
	43	10898	19981	2390	3160										
	46	9836,8	18667	2460	3261										
	35	19377	31902	2693	3291	3885	1080 x 650 x 565	6	88						
	43	16313	27555	2953	3692										
	46	15269	26075	3050	3842										
	35	20994	34826	2980	3763					3885		1080 x 650 x 565	6	89	
	43	18142	30616	3179	4098										
	46	17169	29179	2906	4224										

Condensing Unit Rating Conditions				
Application	Evap Temp Deg C	Retrum Gas Temp Deg C	Sub Cooling	Useful Superheat
LBP - R404A	-23.3, -32, -40	4.4	"0" deg C	100%
HMBP - R22 & R404A	-6.7	4.4	"0" deg C	100%
HMBP - R22 & R404A	7.2	18	"0" deg C	100%



## Condensing Units

400V, 50Hz, 3Ph													
	Condensing Unit Model	Amb Temp	Cooling Capacity Btu/hr			Power Consumption (Watts)			Airflow	Dimension W x D x H	Receiver Volume	Net Wt	Standard BOM
		Deg C	Evap Temp Deg C			Evap Temp Deg C			CFM	mm	Ltrs	Kg	
		-6.7	7.2		-6.7	7.2							
HMBP R404A	TAJT9480ZMHR	35	4088	6457		818	1024		576	430 x 485 x 340	1.5	40	Compressor, Condenser, Condenser Fan, Fan Guard, Receiver, Electrical Junction Box, Base Plate and Connecting Tubes
		43	3442	5470		852	1083						
		46	3219	5130		865	1106						
	TAJT9510ZMHR	35	5022	7855		1005	1273		694	510 x 610 x 395	1.5	41	
		43	4228	6653		1047	1347						
		46	3953	6239		1063	1375						
	TAJT9513ZMHR	35	6316	10732		1050	1384		847	512 x 607 x 446	1.5	41	
		43	5001	8718		1090	1471						
		46	4512	7961		1105	1503						
	TAJT4517ZHR	35	7361	11537		1181	1512		1324	510 x 630 x 445	2.35	44	
		43	6196	9772		1230	1601						
		46	5794	9165		1249	1634						
	TAJT4519ZHR	35	9536	14894		1794	2295		2083	575 x 607 x 545	2.35	48	
		43	8020	12602		1870	2429						
		46	7496	11812		1898	2480						
	TFHT4524ZHR	35	10048	16875		1986	2580		1806	600 x 608 x 558	3.9	70	
		43	8476	14330		2070	2730						
		46	7935	13460		2101	2787						
	TFHT4531ZHR	35	14583	23506		2596	3298		2825	1002 x 642 x 469	6	78	
		43	12282	19975		2706	3490						
		46	11488	18769		2747	3562						
	TFHT4540ZHR	35	17548	28396		3193	4155		3885	1080 x 650 x 565	6	90	
		43	14775	24146		3328	4398						
		46	13817	22696		3379	4489						
TAGT4546ZHR	35	20841	35979		3469	4584		3531	1080 x 644 x 565	6	98		
	43	17578	30617		3616	4852							
	46	16454	28790		3671	4952							
TAGT4553ZHR	35	22320	37522		3827	5112		3531	1080 x 644 x 565	6	97		
	43	18816	31869		3988	5410							
	46	17607	29935		4049	5522							



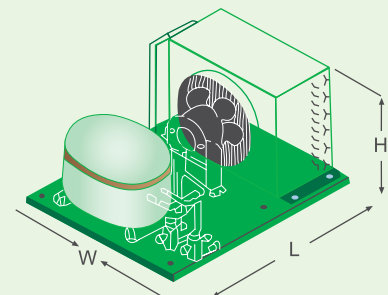
## Condensing Units

400V, 50Hz, 3Ph													
	Condensing Unit Model	Amb Temp	Cooling Capacity Btu/hr			Power Consumption (Watts)			Airflow	Dimension W x D x H	Receiver Volume	Net Wt	Standard BOM
		Deg C	Evap Temp Deg C			Evap Temp Deg C			CFM	mm	Ltrs	Kg	
			-6.7	7.2		-6.7	7.2						
HBP 404A	TAGT4561ZHR	35	24900	42086		4272	5812		3531	1080 x 644 x 565	9.5	106	Compressor, Condenser, Condenser Fan, Fan Guard, Receiver, Hp/Lp cutout, Electrical Junction Box, Base Plate and Connecting Tubes
		43	20952	35630		4452	6151						
		46	19586	33405		4520	6278						
	TAGT4568ZHR	35	29804	49783		5056	6729		3826	1080 x 650 x 565	9.5	135	
		43	25113	42307		5270	7121						
		46	23494	39764		5350	7268						
	TAGT4573ZHR	35	31198	51765		5409	7373		3826	1080 x 650 x 565	9.5	135	
		43	26258	43930		5637	7803						
		46	24551	41246		5723	7965						
LBP 404A	TAJT2464ZBR		<b>-23.3</b>	<b>-32</b>	<b>-40</b>	<b>-23.3</b>	<b>-32</b>	<b>-40</b>					Compressor, Condenser, Condenser Fan, Fan Guard, Receiver, Hp/Lp cutout, Electrical Junction Box, Base Plate and Connecting Tubes
		35	4466	3025	1896	1243	965	749	1324	512 x 610 x 445	2.35	45	
		43	3657	2451	1476	1271	966	725					
	46	3357	2239	1236	1282	967	716						
	TFHT2480ZBR	35	6521	4341	2325	1618	1204	835	1324	510 x 630 x 445	2.35	59	
		43	5362	3497	1830	1709	1250	857					
		46	4962	3222	1580	1743	1267	865					
	TFHT2511ZBR	35	8820	5687	3219	2100	1573	1099	2825	1002 x 618 x 469	2.35	101	
		43	7272	4585	2548	2219	1634	1129					
		46	6735	4222	2199	2263	1656	1140					
	TAGT2516ZBR	35	12119	7876	4490	3160	2374	1736	2825	1020 x 593 x 465	6	107	
		43	9965	6338	3547	3339	2465	1784					
		46	9217	5830	3056	3405	2498	1801					
	TAGT2522ZBR	35	15651	10092	5426	3969	2846	1947	3884	1080 x 650 x 565	6	107	
		43	12884	8130	4284	4194	2953	2001					
46		11926	7486	3699	4277	2992	2020						

Fractional Horsepower Condensing Units								
	Condensing Unit Model	Compressor Capacity	Compressor Power Consum	Compressor Circuit	Fan Motor Output	Dimensions WxDxH	Net Wt	BOM
		Btu/Hr	Watts	-	Watts	mm	Kg	
LBP R-134A	THK1365YCG XL / XR	540	128	CSIR	7	280 x 355 x 242	15.5	Compressor, Condenser, Condenser Fan, Fan Guard, Liquid line drier and Base Plate
	TWB1390YGS XL / XR	845	192	CSIR	7	355 x 410 x 306	18.0	
	TPH2415YFS XL / XR	1240	274	CSIR	10	355 x 410 x 306	20.0	
CBP R-134A	THK9384YCG XL	755	148	CSIR	7	280 x 355 x 246	15.5	
	THK9410YCG XL	940	175	CSIR	7	280 x 355 x 246	15.5	
	THK9414YCG XL	1250	230	CSIR	7	280 x 355 x 246	15.5	
	TPA9417YFS XL	1650	307	CSIR	10	355 x 410 x 306	20.5	
	TPA9421YFS XL	2100	380	CSIR	10	355 x 410 x 306	20.5	
HBP R-134A	AKR9436YGH XL / XR	2900	560	CSIR	10	355 x 410 x 306	20.5	
	AEA4440YGS XL / XR	3600	528	CSIR	10	355 x 410 x 306	19.5	

### Special Features

- Designed to operate at high ambient temperatures (+46 degrees Celsius)
- Efficient and Reliable Fan Motor
- Powder coated Base Plate



## *Tecumseh Products Company*

### REGISTERED OFFICE

Tecumseh Products India Pvt. Ltd.  
Balanagar Township, Hyderabad - 500 037, India.  
Ph: +91 40 30116993/94  
www.tecumseh.com

### SALES OFFICES

**New Delhi:** 205, 2nd Floor, DLF Tower- A Jasola, District Centre New Delhi-110025 Ph. 011-49767600 **Mumbai:** Kaushik Chember, Plot No. 64, Sector-19A, Vashi, Navi Mumbai-400705, Mob.09987263911 **Chennai:** Kamatchi Illam, No. 3 (Old No. 193), Raghavan Street, Ayyavoo Colony, Aminijikarai, Chennai-600 029 Ph. 044 23632370-71 Fax. 044 23633372 **Kolkata:** 4/2/1A, Rustomjee Street, Kolkata-700 019. Ph. 033 24606026 Fax. 033 24606027 **Ahmedabad:** Gala No. 41, Amul Estate, Opp. Marium Masjid, Near Sanand-Sarkhej, Railway Crossing, Sarkhej, Ahmedabad-380 220 Ph. 079 26823458 Fax. 079 26823423 **Secunderabad:** Trading Division, Balanagar Township, Hyderabad-500037 Fax. 040-23720034, 040-23720034 **Chandigarh:** Plot No. 211, Sector 29D, Iron Market, Chandigarh Ph. 0172 2654481 **Indore:** 302, Navlakha, Opp: Prakash Nagar, Nemawar Road, Indore-452001 Ph. 0731 2400554 **Ghaziabad:** 71, New Arya Nagar, Delhi-Meerut Road, Ghaziabad Ph. 0120 4346186.



*Tecumseh*

Note: The contents in this catalogue are subject to change without notice due to continuous improvements.