

WITH MORE THAN 50 YEARS OF EXPERIENCE IN COMPRESSOR TECHNOLOGY AND HIGHLY COMMITTED EMPLOYEES, OUR FOCUS IS TO DEVELOP AND APPLY THE

ADVANCED COMPRESSOR TECHNOLOGIES TO ACHIEVE STANDARD SETTING PERFORMANCE FOR LEADING PRODUCTS AND BUSINESSES AROUND THE WORLD.

COMPRESSORS FOR REFRIGERATORS AND FREEZERS

SECOP



Compressors for Refrigerators • 220-240 V / 50 Hz

Refrigerant	Compressor	Code number	Application	EN 12900 Capacity [W] T _c =55°C, T _{liq} =55°C, T _{suc} =32°C Evaporating temperature [°C]						EN 12900						ASHRAE Capacity [W] T _c =54.4°C, T _{liq} =32.2°C, T _{suc} =32.2°C Evaporating temperature [°C]															
				LBP rating point -25°C / 55°C		MBP rating point -10°C / 55°C		HBP rating point 5°C / 55°C		Cooling capacity		COP		Cooling capacity		COP		-35		-15		-5		0		10		15			
				Capacity	Capacity	Capacity	Capacity	Capacity	Capacity	Capacity	Capacity	Capacity	Capacity	Capacity	Capacity	Capacity	Capacity	Capacity	Capacity	Capacity	Capacity	Capacity	Capacity	Capacity	Capacity	Capacity	Capacity	Capacity	Capacity	Capacity	Capacity
				[W]	[W]	[W]	[W]	[W]	[W]	[W]	[W]	[W/W]	[W/W]	[W]	[W]	[W]	[W]	[W/W]	[W/W]	[W]	[W]	[W]	[W]	[W]	[W]	[W]	[W]	[W]	[W]	[W]	[W]
R134a	PL20F	101G0100	MBP		36	65	83				16	0.38	50	0.87				46	81	103											
	PL35F	101G0202	MBP		60	101	125				32	0.64	79	1.10				75	125	156											
	PL50F	101G0220	LBP	14	74						40	0.67	95	1.11			18	92													
	PL50F	101G0222	MBP		74	120	148				40	0.69	95	1.14				92	149	184											
	PLE50F	101G0221	MBP		76	122	150				42	0.81	97	1.31				95	152	187											
	TL2.5F	102G4200	L/MBP		65	110	137				32	0.59	86	1.07				81	137	170											
	TL3F	102G4300	L/MBP		82	138	173				42	0.64	108	1.09				101	171	215											
	TL4F	102G4400	LBP	31	107						61	0.75	137	1.12			38	133													
	TL5F	102G4501	LBP	43	144						82	0.81	183	1.19			53	179													
	TLES3F	102G4310	L/MBP		93	155	193				50	0.81	121	1.31				116	192	240											
	TLES4F	102G4410	LBP	33	124						70	0.88	160	1.35			41	154													
	TLES5F	102G4510	LBP	50	169						98	0.93	216	1.37			62	210													
	TLES6F	102G4610	LBP	58	183						104	0.93	235	1.37			72	227													
	TLES5.7FT.3	102G4615	LBP	66	200						120	1.00	253	1.48			82	248													
	TLS5F	102G4520	LBP	48	170						98	0.88	216	1.33			59	210													
	TLS6F	102G4620	LBP	58	183						104	0.87	235	1.30			72	227													
	TLS3FT	102G4324	LBP	21	92						50	0.80	120	1.30			26	115													
	TLS4FT	102G4424	LBP	27	117						63	0.72	152	1.24			34	145													
	TLS5FT	102G4524	LBP	48	170						98	0.86	216	1.30			59	210													
	TLY4F	102G4441	LBP	35	126						72	0.99	162	1.49			43	157													
TLY5FK	102G4547	LBP	50	169						98	1.01	216	1.48			62	210														
R600a	PLE35K	101H0360	MBP		52	87	109				27	0.68	68	1.28				63	106	133											
	TLES4KK.3	102H4438	LBP	18	75						42	0.90	96	1.43			23	92													
	TLES4.8KK.3	102H4538	LBP	28	94						55	1.00	119	1.53			34	115													
	TLES5.7KK.3	102H4638	LBP	36	114						68	1.02	144	1.54			45	139													
	TLES4KTK	102H4436	LBP	18	74	123	154				40	0.83	96	1.49			22	91	151	189											
	TLES5KTK	102H4536	LBP	28	99	159	196				57	0.93	126	1.49			34	121	194	240											
	TLX4KK.3	102H4447	LBP	21	76						44	1.15	95	1.74			25	92													
	TLX5.7KK.3	102H4647	LBP	37	115						70	1.28	143	1.85			46	140													
	TLY4KK.3	102H4442	LBP	19	75						42	0.99	95	1.58			23	91													
	TLY4.8KK.3	102H4542	LBP	28	94						55	1.06	119	1.62			34	115													
	TLY5.7KK.3	102H4642	LBP	36	114						68	1.06	144	1.61			45	139													
	XV5.0KX 1000 rpm	108H5012	LBP	8	29	43	50				16	1.29	36	1.99			10	36	54	63											
	XV5.0KX 1500 rpm	108H5012	LBP	9	47	72	84				25	1.35	59	2.02			12	58	89	104											
	XV5.0KX 2500 rpm	108H5012	LBP	27	75	112	130				45	1.37	93	2.03			32	92	138	161											
	XV5.0KX 4000 rpm	108H5012	LBP	34	127	196	230				67	1.28	161	1.89			41	155	240	282											
	DLE5.7KK	102H4696	LBP	42	124	186					75	1.24	154	1.73			51	152	227												
	DLX4KK.1	102H3459	LBP	23	79						46	1.44	101	2.19			28	97													
	DLX4.8KK.1	102H3559	LBP	30	104						60	1.47	131	2.20			36	127													
	DLX5.7KK.1	102H3659	LBP	41	123						75	1.47	154	2.08			51	151													

ASHRAE						Motor type	Run capacitor [* optional]	Power	Displacement	Voltage and frequencies [* Dual frequencies 50/60Hz]	Compressor cooling cooling (refer-data sheet)	Dimensions						
LBP rating point -23.3°C / 54.4°C		MBP rating point -6.7°C / 54.4°C		HBP rating point 7.2°C / 54.4°C								Height [mm]		Connectors location/I.D. [mm]				alt. connectors available
Cooling capacity [W]	COP [W/W]	Cooling capacity [W]	COP [W/W]	Cooling capacity [W]	COP [W/W]							A	B	Suction C	Process D	Dis-charge E	Oil cooler F	
24	0.55	67	1.12			RSIR		1/50	1.41	198-254 V, 50 Hz	S	129	127	6.2	6.2	5.0		
45	0.86	105	1.39			RSIR		1/25	2.00	198-254 V, 50 Hz	S	134	132	6.2	6.2	5.0		
56	0.89					RSIR		1/20	2.50	198-254 V, 50 Hz	S	137	135	6.2	6.2	5.0		
56	0.92	126	1.41			CSIR		1/20	2.50	198-254 V, 50 Hz	F1	137	135	6.2	6.2	5.0		
59	1.08	128	1.63			RSCR	4	1/20	2.50	198-254 V, 50 Hz	S	140	138	6.2	6.2	5.0		
46	0.80	115	1.35			RSIR		1/25	2.61	198-254 V, 50 Hz	S	163	159	6.2	6.2	5.0		X
59	0.85	144	1.36			RSIR/CSIR		1/20	3.13	198-254 V, 50 Hz	S	163	159	6.2	6.2	5.0		
84	0.98					RSIR/CSIR		1/10	3.86	198-254 V, 50 Hz	S	163	159	6.2	6.2	5.0		X
113	1.06					RSIR/CSIR		1/10	5.08	198-254 V, 50 Hz	S	173	169	6.2	6.2	5.0		
70	1.08	161	1.62			RSIR/RSCR	*	1/10	3.13	198-254 V, 50 Hz	S	173	169	6.2	6.2	5.0		
97	1.16					RSIR/RSCR	*	1/10	3.86	198-254 V, 50 Hz	S	173	169	6.2	6.2	5.0		
134	1.22					RSIR/RSCR	*	1/8	5.08	198-254 V, 50 Hz	S	173	169	6.2	6.2	5.0		
143	1.21					RSIR/RSCR	*	1/8	5.70	198-254 V, 50 Hz	S	173	169	6.2	6.2	5.0		X
163	1.31					RSIR/RSCR/CSIR	*	1/7	5.70	187-254 V, 50 Hz	S	173	169	6.2	6.2	5.0		X
135	1.15					RSIR/CSIR		1/8	5.08	198-254 V, 50 Hz	S	173	169	6.2	6.2	5.0		
143	1.14					RSIR/CSIR		1/8	5.70	198-254 V, 50 Hz	S	173	169	6.2	6.2	5.0		
69	1.07					RSIR/CSIR		1/10	3.13	187-254 V, 50 Hz	S	173	169	6.2	6.2	5.0		
88	0.97					RSIR/CSIR		1/10	3.86	187-254 V, 50 Hz	S	173	169	6.2	6.2	5.0		
135	1.12					RSIR/CSIR		1/8	5.08	187-254 V, 50 Hz	S	173	169	6.2	6.2	5.0		X
99	1.30					RSIR/RSCR	4 *	1/10	3.86	198-254 V, 50 Hz	S	173	169	6.2	6.2	5.0		
134	1.32					RSIR/RSCR	4 *	1/8	5.08	198-254 V, 50 Hz	S	173	169	6.2	6.2	5.0		
38	0.91	90	1.60			RSCR	4	1/25	2.50	198-254 V, 50 Hz	S	137	135	6.2	6.2	5.0		X
57	1.18					RSIR/RSCR	*	1/20	4.01	198-254 V, 50 Hz	S	163	159	6.2	6.2	5.0		X
74	1.30					RSIR/RSCR	*	1/10	4.78	198-254 V, 50 Hz	S	163	159	6.2	6.2	5.0		X
91	1.32					RSIR/RSCR	*	1/10	5.70	198-254 V, 50 Hz	S	163	159	6.2	6.2	5.0		X
55	1.10	127	1.87			RSIR/RSCR	*	1/20	3.86	187-254 V, 50 Hz	S	173	169	6.2	6.2	5.0		
77	1.22	165	1.83			RSIR/RSCR	*	1/10	5.08	187-254 V, 50 Hz	S	173	169	6.2	6.2	5.0		
60	1.49					RSCR	4	1/10	4.01	198-254 V, 50 Hz	S	173	169	6.2	6.2	5.0		X
94	1.65					RSCR	4	1/10	5.70	198-254 V, 50 Hz	S	173	169	6.2	6.2	5.0		X
57	1.30					RSCR/RSIR	4 *	1/20	4.01	198-254 V, 50 Hz	S	163	159	6.2	6.2	5.0		
74	1.37					RSCR/RSIR	4 *	1/10	4.78	198-254 V, 50 Hz	S	163	159	6.2	6.2	5.0		
91	1.37					RSCR/RSIR	4 *	1/10	5.70	198-254 V, 50 Hz	S	163	159	6.2	6.2	5.0		
22	1.67	47	2.45			DC/PM		1/8	5.0	160-264 V, 50 Hz *	S	97	91	6.2	6.0 (o.d.)	3.2 (o.d.)		
35	1.75	77	2.46			DC/PM		1/8	5.0	160-264 V, 50 Hz *	S	97	91	6.2	6.0 (o.d.)	3.2 (o.d.)		
60	1.77	119	2.46			DC/PM		1/8	5.0	160-264 V, 50 Hz *	S	97	91	6.2	6.0 (o.d.)	3.2 (o.d.)		
93	1.66	207	2.30			DC/PM		1/8	5.0	160-264 V, 50 Hz *	S	97	91	6.2	6.0 (o.d.)	3.2 (o.d.)		
101	1.59	196	2.09			RSIR/RSCR	*	1/10	5.70	198-254 V, 50 Hz	S	175	169	6.2	4.5	5.0		X
62	1.86					RSCR	2	1/10	4.01	198-254 V, 50 Hz	S	175	169	6.2	4.5	5.0		X
81	1.90					RSCR	2	1/10	4.78	198-254 V, 50 Hz	S	175	169	6.2	4.5	5.0		X
100	1.89					RSCR	2	1/10	5.70	198-254 V, 50 Hz	S	175	169	6.2	4.5	5.0		X

Compressors for Refrigerators • 220-240 V / 50 Hz • 115V / 50 / 60 Hz

Refrigerant	Compressor	Code number	Application	EN 12900 Capacity [W] T _c =55°C, T _{liq} =55°C, T _{suc} =32°C Evaporating temperature [°C]						EN 12900						ASHRAE Capacity [W] T _c =54.4°C, T _{liq} =32.2°C, T _{suc} =32.2°C Evaporating temperature [°C]					
				LBP rating point -25°C / 55°C		MBP rating point -10°C / 55°C		HBP rating point 5°C / 55°C		Cooling capacity [W]	COP [W/W]	Cooling capacity [W]	COP [W/W]	Cooling capacity [W]	COP [W/W]	-35	-15	-5	0	10	15
				-35	-15	-5	0	10	15												
				[W]		[W/W]		[W]		[W/W]		[W]		[W/W]		[W]		[W/W]		[W]	
R600a	HMK80AA	15950000	LBP	55	170				102	1.18	211	1.68			67	207					
	HMK95AA	15460700	LBP	67	207				125	1.20	257	1.72			81	253					
	HMK12AA	16236200	LBP	82	239				149	1.21	292	1.66			100	291					
	HTK55AA	16122700	LBP	32	119				69	1.20	150	1.79			39	146					
	HTK70AA	16106100	LBP	44	150				87	1.26	185	1.85			54	182					
	HTK80AA	16068300	LBP	55	170				102	1.26	212	1.83			67	207					
	HTK95AA	16068200	LBP	71	207				126	1.29	258	1.82			86	252					
	HTK12AA	16111600	LBP	82	239				149	1.29	292	1.77			100	291					
	HKK55AA	16124400	LBP	32	120				69	1.37	150	2.00			39	146					
	HKK70AA	16124500	LBP	44	148				87	1.40	186	1.98			54	181					
	HKK80AA	16072100	LBP	55	170				102	1.40	212	1.99			67	207					
	HKK95AA	16049700	LBP	69	207				126	1.42	256	1.95			84	252					
	HKK12AA	16065900	LBP	82	239				149	1.42	292	1.93			100	291					
	HXK55AA	15650400	LBP	36	122				72	1.45	152	2.00			44	149					
	HXK70AA	15690400	LBP	47	149				88	1.47	186	2.02			57	181					
	HXK80AA	15621800	LBP	58	173				105	1.50	214	2.05			71	210					
	HXK95AA	15592900	LBP	73	209				129	1.51	258	2.05			89	255					
	HXK12AA	15593100	LBP	83	245				152	1.50	300	2.04			101	299					
	HKK12AT	16173800	LBP	82	245				152	1.42	300	1.97			100	299					
	HTD30AA	16250500	LBP	14	62	98			34	1.17	79	1.81			17	76	120				
	HTD35AA	16250700	LBP	20	73	115			41	1.19	93	1.83			24	90	141				
	HTD40AA	16250900	LBP	25	86	135			50	1.22	109	1.87			31	106	165				
	HTD45AA	16251100	LBP	30	104	159			61	1.24	130	1.78			37	127	194				
	HTD55AA	16251300	LBP	40	126	189			76	1.27	156	1.83			49	154	231				
	HTD60AA	16255700	LBP	50	144	221			87	1.27	180	1.80			62	176	269				
	HXD30AA	16260300	LBP	14	62	98			34	1.32	79	2.03			17	76	120				
	HXD35AA	16260700	LBP	20	73	115			41	1.33	93	2.04			24	90	141				
	HXD40AA	16261700	LBP	25	86	135			50	1.36	109	2.06			31	106	165				
	HXD45AA	16261900	LBP	30	104	159			61	1.40	130	2.02			37	127	194				
	HXD55AA	16257500	LBP	40	126	189			76	1.44	156	2.09			49	154	231				
HXD60AA	16302500	LBP	48	145				88	1.43	180	2.04			59	177						

Refrigerant	Compressor	Code number	Application	EN 12900 Capacity [W] T _c =55°C, T _{liq} =55°C, T _{suc} =32°C Evaporating temperature [°C]						EN 12900						ASHRAE Capacity [W] T _c =54.4°C, T _{liq} =32.2°C, T _{suc} =32.2°C Evaporating temperature [°C]					
				LBP rating point -25°C / 55°C		MBP rating point -10°C / 55°C		HBP rating point 5°C / 55°C		Cooling capacity [W]	COP [W/W]	Cooling capacity [W]	COP [W/W]	Cooling capacity [W]	COP [W/W]	-35	-15	-5	0	10	15
				-35	-15	-5	0	10	15												
				[W]		[W/W]		[W]		[W/W]		[W]		[W/W]		[W]		[W/W]		[W]	
R134a	PL30F	101G9100	L/M/HBP	44	78	99	154	189	21	0.42	59	0.95	125	1.58		55	97	124	193	236	
	PL50F	101G9202	L/MBP	69	111	138			37	0.59	88	1.05			85	138	171				
	TF3.5F	102G3304	LBP	30	119				64	0.72	155	1.20			38	147					
	TFS4F	102G3431	LBP	35	142				75	0.82	186	1.34			44	176					
	TFS4.5FT	102G3432	L/MBP	56	180	290	358		102	0.84	231	1.27	435	1.69	70	223	360	444			
	TFS4.5FT	102G3433	LBP	56	180				102	0.84	231	1.27			70	223					
	TL2.5F	102G3206	LBP		80	134			43	0.70	105	1.11			99	167					
	TL3F	102G3300	LBP		97	163			54	0.75	127	1.11			121	203					
	TL4F	102G3402	LBP	42	120	0			66	0.77	159	1.21			52	149	0				
	TLS4.5F	102G3420	LBP	56	180	290			102	0.83	231	1.26			70	223	360				
	TT2.5F	102G3248	LBP		80	134			43	0.70	105	1.11			99	167					
	TTE4F	102G3444	LBP	36	152				84	0.94	195	1.46			45	189					
	TTE4.6FK	102G3448	LBP	50	184				106	1.06	235	1.57			62	229					
	TTY5F	102G3546	LBP	62	224				126	1.05	289	1.59			77	278					

ASHRAE						Motor type	Run capacitor [* optional]	Power	Displacement	Voltage and frequencies [* Dual frequencies 50/60Hz]	Compressor cooling cooling (refer to data sheet)	Dimensions						
LBP rating point -23.3°C / 54.4°C		MBP rating point -6.7°C / 54.4°C		HBP rating point 7.2°C / 54.4°C								Height [mm]		Connectors location/I.D. [mm]				alt. connectors available
Cooling capacity	COP	Cooling capacity	COP	Cooling capacity	COP							A	B	Suction	Process	Dis-charge	Oil cooler	
[W]	[W/W]	[W]	[W/W]	[W]	[W/W]							μF	[HP]	[cm³]	C	D	E	
136	1.51					RSIR		1/8	8.10	187-264 V, 50 Hz	S	159	165.5	6.15	6.0 (o.d.)	5.15		X
168	1.55					RSIR		1/7	9.60	187-264 V, 50 Hz	S	167	173.5	6.15	6.0 (o.d.)	5.15		X
199	1.54					RSIR		1/5	11.20	187-264 V, 50 Hz	S	167	173.5	6.15	6.0 (o.d.)	5.15		X
93	1.55					RSIR/RSCR	2 *	1/10	5.60	187-264 V, 50 Hz	S	159	165.5	6.15	6.0 (o.d.)	5.15		X
118	1.62					RSIR/RSCR	3 *	1/8	6.60	187-264 V, 50 Hz	S	159	165.5	6.15	6.0 (o.d.)	5.15		X
136	1.62					RSIR/RSCR	3 *	1/10	8.10	187-264 V, 50 Hz	S	159	165.5	6.15	6.0 (o.d.)	5.15		X
168	1.65					RSIR/RSCR	4 *	1/8	9.60	187-264 V, 50 Hz	S	167	173.5	6.15	6.0 (o.d.)	5.15		X
199	1.64					RSIR/RSCR	4 *	1/7	11.20	187-264 V, 50 Hz	S	167	173.5	6.15	6.0 (o.d.)	5.15		X
94	1.77					RSCR	2.5	1/5	5.60	187-264 V, 50 Hz	S	159	165.5	6.15	6.0 (o.d.)	5.15		X
118	1.80					RSCR	3	1/10	6.60	187-264 V, 50 Hz	S	159	165.5	6.15	6.0 (o.d.)	5.15		X
136	1.80					RSCR	3	1/10	8.10	187-264 V, 50 Hz	S	159	165.5	6.15	6.0 (o.d.)	5.15		X
169	1.81					RSCR	4	1/8	9.60	187-264 V, 50 Hz	S	167	173.5	6.15	6.0 (o.d.)	5.15		X
198	1.81					RSCR	4	1/6	11.20	187-264 V, 50 Hz	S	167	173.5	6.15	6.0 (o.d.)	5.15		X
98	1.85					RSCR	3	1/5	5.60	187-264 V, 50 Hz	S	159	165.5	6.15	6.0 (o.d.)	5.15		X
119	1.88					RSCR	3	1/10	6.60	187-264 V, 50 Hz	S	167	173.5	6.15	6.0 (o.d.)	5.15		X
141	1.91					RSCR	3	1/8	8.10	187-264 V, 50 Hz	S	167	173.5	6.15	6.0 (o.d.)	5.15		X
172	1.92					RSCR	4	1/6	9.60	187-264 V, 50 Hz	S	167	173.5	6.15	6.0 (o.d.)	5.15		X
203	1.91					RSCR	4	1/5	11.10	187-264 V, 50 Hz	S	167	173.5	6.15	6.0 (o.d.)	5.15		X
203	1.81					RSCR	4	1/5	11.10	187-264 V, 50 Hz	S	167	173.5	6.15	6.0 (o.d.)	5.15		X
46	1.53	101	2.18			RSIR/RSCR	1 *	1/25	3.00	187-264 V, 50 Hz	S	133		6.2	6.0 (o.d.)	5.0		
56	1.55	119	2.19			RSIR/RSCR	1.5 *	1/20	3.50	187-264 V, 50 Hz	S	133		6.2	6.0 (o.d.)	5.0		
68	1.58	140	2.24			RSIR/RSCR	2 *	1/10	4.00	187-264 V, 50 Hz	S	133		6.2	6.0 (o.d.)	5.0		
83	1.60	165	2.11			RSIR/RSCR	2	1/10	4.80	187-264 V, 50 Hz	S	133		6.2	6.0 (o.d.)	5.0		
103	1.63	197	2.18			RSIR/RSCR	2 *	1/10	5.50	187-264 V, 50 Hz	S	133		6.2	6.0 (o.d.)	5.0		
117	1.63	228	2.13			RSIR/RSCR	2 *	1/10	6.20	187-264 V, 50 Hz	S	133		6.2	6.0 (o.d.)	5.0		
46	1.72	101	2.43			RSCR	1	1/25	3.00	187-264 V, 50 Hz	S	133		6.2	6.0 (o.d.)	5.0		
56	1.73	119	2.44			RSCR	1.5	1/20	3.50	187-264 V, 50 Hz	S	133		6.2	6.0 (o.d.)	5.0		
68	1.76	140	2.46			RSCR	2	1/10	4.00	187-264 V, 50 Hz	S	133		6.2	6.0 (o.d.)	5.0		
83	1.80	165	2.38			RSCR	2	1/10	4.80	187-264 V, 50 Hz	S	133		6.2	6.0 (o.d.)	5.0		
103	1.85	197	2.49			RSCR	2	1/10	5.50	187-264 V, 50 Hz	S	133		6.2	6.0 (o.d.)	5.0		
117	1.83					RSCR	2	1/10	6.20	187-264 V, 50 Hz	S	133		6.2	6.0 (o.d.)	5.0		

ASHRAE						Motor type	Run capacitor [* optional]	Power	Displacement	Voltage and frequencies [* Dual frequencies 50/60Hz]	Compressor cooling cooling (refer to data sheet)	Dimensions						
LBP rating point -23.3°C / 54.4°C		MBP rating point -6.7°C / 54.4°C		HBP rating point 7.2°C / 54.4°C								Height [mm]		Connectors location/I.D. [mm]				alt. connectors available
Cooling capacity	COP	Cooling capacity	COP	Cooling capacity	COP							A	B	Suction	Process	Dis-charge	Oil cooler	
[W]	[W/W]	[W]	[W/W]	[W]	[W/W]							μF	[HP]	[cm³]	C	D	E	
30	0.60	80	1.23	156	1.94	RSIR/CSIR		1/25	1.41	90-127 V, 60 Hz *	S	134	132	6.5	6.5	5.0		
52	0.79	117	1.33			RSIR/CSIR		1/20	2.00	103-127 V, 60 Hz	S	134	132	6.5	6.5	5.0		
90	0.96					RSIR		1/10	3.59	95-135 V, 60 Hz	S	173	169	6.5	6.5	5.0		
105	1.08					RSIR		1/10	3.86	95-135 V, 60 Hz	S	173	169	6.5	6.5	5.0		
140	1.10	304	1.56	531	2.00	RSIR/CSIR		1/6	4.63	95-135 V, 60 Hz	S	173	169	6.5	6.5	4.9		X
140	1.10					RSIR		1/8	4.63	95-135 V, 60 Hz	S	173	169	6.5	6.5	4.9		X
60	0.92	140	1.37			RSIR		1/20	2.61	103-127 V, 60 Hz	S	163	159	6.5	6.5	5.0		
74	0.97	170	1.38			RSIR		1/10	3.13	103-127 V, 60 Hz	S	163	159	6.5	6.5	5.0		
91	1.00	214	1.52			RSIR		1/10	3.86	103-127 V, 60 Hz	S	163	159	6.5	6.5	5.0		X
140	1.09	304	1.54			RSIR/CSIR		1/8	4.63	103-127 V, 60 Hz	S	163	159	6.5	6.5	5.0		
60	0.92	140	1.37			RSIR		1/20	2.61	103-127 V, 60 Hz	S	158	152	6.5	6.5	4.9		
117	1.24					RSCR	15	1/10	3.86	103-127 V, 60 Hz	S	173	169	6.5	6.5	5.0		
145	1.38					RSCR	15	1/8	4.63	103-127 V, 60 Hz	S	173	169	6.5	6.5	5.0		
174	1.38					RSCR	15	1/6	5.54	103-127 V, 60 Hz	S	173	169	6.5	6.5	4.9		

Compressors for Freezers • 220-240 V / 50 Hz

Refrigerant	Compressor	Code number	Application	EN 12900 Capacity [W] T _c =55°C, T _{liq} =55°C, T _{suc} =32°C Evaporating temperature [°C]						EN 12900						ASHRAE Capacity [W] T _c =54.4°C, T _{liq} =32.2°C, T _{suc} =32.2°C Evaporating temperature [°C]												
				LBP rating point -25°C / 55°C		MBP rating point -10°C / 55°C		HBP rating point 5°C / 55°C		Tc=55°C, Tliq=55°C, Tsuc=32°C		Tc=54.4°C, Tliq=32.2°C, Tsuc=32.2°C		Tc=54.4°C, Tliq=32.2°C, Tsuc=32.2°C		Tc=54.4°C, Tliq=32.2°C, Tsuc=32.2°C												
				-35	-15	-5	0	10	15	Cooling capacity	COP	Cooling capacity	COP	Cooling capacity	COP	-35	-15	-5	0	10	15							
				[W]	[W]	[W/W]	[W]	[W/W]	[W]	[W/W]	[W]	[W/W]	[W]	[W/W]	[W]	[W/W]	[W]	[W]	[W/W]	[W]	[W/W]	[W]	[W/W]					
R134a	TL5F	102G4501	LBP	43	144							82	0.81	183	1.19							53	179					
	TLES5F	102G4510	LBP	50	169							98	0.93	216	1.37								62	210				
	TLES6F	102G4610	LBP	58	183							104	0.93	235	1.37								72	227				
	TLES5.7FT.3	102G4615	LBP	66	200							120	1.00	253	1.48								82	248				
	TLES6.5FT.3	102G4703	LBP	72	228							134	1.01	290	1.56								89	283				
	TLS5F	102G4520	LBP	48	170							98	0.88	216	1.33								59	210				
	TLS6F	102G4620	LBP	58	183							104	0.87	235	1.30								72	227				
	TLS7F	102G4720	LBP	66	208							120	0.88	264	1.28								82	258				
	TLS5FT	102G4524	LBP	48	170							98	0.86	216	1.30								59	210				
	TLY5FK	102G4547	LBP	50	169							98	1.01	216	1.48								62	210				
	NL6F	105G6606	LBP	52	200							110	0.93	258	1.39								64	248				
	NL7F	105G6706	LBP	71	238							136	0.93	303	1.31								88	295				
	NL8F	105G6822	LBP	82	249							149	0.97	317	1.37								100	308				
	NL9F	105G6802	LBP	74	268							155	0.93	340	1.31								92	332				
	NL11F	105G6900	LBP	102	351							200	0.94	453	1.37								127	436				
	NL6FT	105G6628	LBP	60	198							115	0.93	253	1.37								74	245				
	NL6.1FT	105G6620	LBP	60	198							115	0.93	253	1.37								74	245				
	NL7FT	105G6728	LBP	71	235							136	0.94	299	1.36								88	291				
	NL7.3FT	105G6731	LBP	71	235							136	0.94	299	1.36								88	291				
	NL8.4FT	105G6865	LBP	87	275							162	0.95	350	1.39								107	341				
	NL8.4FT	105G6866	LBP	87	275							162	0.95	350	1.39								107	341				
	NL9FT	105G6828	LBP	87	275							162	0.95	350	1.39								107	341				
	NL10FT	105G6829	LBP	115	352							210	0.98	444	1.40								141	434				
	NL10FT	105G6839	LBP	115	352							210	0.98	444	1.40								141	434				
NLY6F	105G6630	LBP	80	235							138	1.17	299	1.65								99	291					
NLY7F	105G6730	LBP	94	265							158	1.18	334	1.67								115	328					
NLY7F	105G6735	LBP	94	265							158	1.18	334	1.67								115	328					
NLY9FK	105G6814	LBP	92	291							171	1.13	372	1.60								115	361					
NLY9FK	105G6830	LBP	94	297							175	1.15	380	1.63								117	369					
R600a	TLES5.7KK.3	102H4638	LBP	36	114							68	1.02	144	1.54							45	139					
	TLES6.5KK.3	102H4738	LBP	45	134							81	1.02	168	1.51								55	163				
	TLES7.5KK.3	102H4838	LBP	53	155							94	1.02	194	1.52								64	189				
	TLES8.7KK.3	102H4938	LBP	62	181							110	1.03	228	1.53								75	222				
	TLES10KK.3	102H4038	LBP	73	205							126	0.98	255	1.43								89	250				
	TLES6KTK	102H4636	LBP	31	112							66	0.95	140	1.44								38	136				
	TLES7KTK	102H4736	LBP	40	130							77	0.95	163	1.41								49	158				
	TLES8KTK	102H4836	LBP	48	149							89	0.95	188	1.40								59	182				
	TLES8.7KTK.3	102H4834	LBP	58	178							107	0.98	224	1.49								71	218				
	TLES10KTK.3	102H4050	LBP	73	205							126	1.06	255	1.54								89	250				
	TLX5.7KK.3	102H4647	LBP	37	115							70	1.28	143	1.85								46	140				
	TLX6.5KK.3	102H4747	LBP	46	133							83	1.30	165	1.83								57	163				
	TLX7.5KK.3	102H4847	LBP	55	157							98	1.32	195	1.86								67	192				
	TLX8.7KK.3	102H4947	LBP	65	184							115	1.31	227	1.84								79	224				
	TLY5.7KK.3	102H4642	LBP	36	114							68	1.06	144	1.61								45	139				
	TLY6.5KK.3	102H4742	LBP	46	135							82	1.14	170	1.71								56	165				
	TLY7.5KK.3	102H4842	LBP	53	155							94	1.09	194	1.62								64	189				
	TLY8.7KK.3	102H4942	LBP	65	182							112	1.16	227	1.69								79	222				
TLY10KK.3	102H4042	LBP	74	208							128	1.21	260	1.74								90	254					

ASHRAE						Motor type	Run capacitor [* optional]	Power	Displacement	Voltage and frequencies [* Dual frequencies 50/60Hz]	Compressor cooling cooling (refer to data sheet)	Dimensions						
LBP rating point -23.3°C / 54.4°C		MBP rating point -6.7°C / 54.4°C		HBP rating point 7.2°C / 54.4°C								Height [mm]		Connectors location/I.D. [mm]				alt. connectors available
Cooling capacity [W]	COP [W/W]	Cooling capacity [W]	COP [W/W]	Cooling capacity [W]	COP [W/W]							A	B	Suction C	Process D	Dis-charge E	Oil cooler F	
113	1.06					RSIR/CSIR		1/10	5.08	198-254 V, 50 Hz	S	173	169	6.2	6.2	5.0		
134	1.22					RSIR/RSCR	*	1/8	5.08	198-254 V, 50 Hz	S	173	169	6.2	6.2	5.0		
143	1.21					RSIR/RSCR	*	1/8	5.70	198-254 V, 50 Hz	S	173	169	6.2	6.2	5.0		X
163	1.31					RSIR/RSCR/CSIR	*	1/7	5.70	187-254 V, 50 Hz	S	173	169	6.2	6.2	5.0		X
183	1.33					RSCR/CSIR/RSIR	4 *	1/6	6.49	187-254 V, 50 Hz *	S	173	169	6.2	6.2	5.0		X
135	1.15					RSIR/CSIR		1/8	5.08	198-254 V, 50 Hz	S	173	169	6.2	6.2	5.0		
143	1.14					RSIR/CSIR		1/8	5.70	198-254 V, 50 Hz	S	173	169	6.2	6.2	5.0		
165	1.15					RSIR/CSIR/RSCR	*	1/7	6.49	198-254 V, 50 Hz	S	173	169	6.2	6.2	5.0		
135	1.12					RSIR/CSIR		1/8	5.08	187-254 V, 50 Hz	S	173	169	6.2	6.2	5.0		X
134	1.32					RSIR/RSCR	4 *	1/8	5.08	198-254 V, 50 Hz	S	173	169	6.2	6.2	5.0		
152	1.22					RSIR/CSIR		1/7	6.13	198-254 V, 50 Hz	S	188	181	6.2	6.2	5.0		
187	1.21					RSIR/CSIR		1/6	7.27	198-254 V, 50 Hz	S	190	183	6.2	6.2	5.0		
201	1.25					RSIR/CSIR		1/5	7.95	198-254 V, 50 Hz	S	197	191	6.2	6.2	5.0		
213	1.21					RSIR/CSIR		1/5	8.35	198-254 V, 50 Hz	S	197	191	8.2	6.2	6.2		
274	1.23					RSIR/CSIR		1/4	11.15	198-254 V, 50 Hz	F2	203	197	8.2	6.2	6.2		X
157	1.21					RSIR/CSIR		1/7	6.13	187-254 V, 50 Hz *	S	197	191	6.2	6.2	5.0		
157	1.21					RSIR/CSIR		1/7	6.13	187-254 V, 50 Hz	S	188	182	6.2	6.2	5.0		
186	1.22					RSIR/CSIR		1/6	7.27	187-254 V, 50 Hz	S	197	191	6.2	6.2	5.0		
186	1.22					RSIR/CSIR		1/6	7.27	187-254 V, 50 Hz	S	188	182	6.2	6.2	5.0	5.0	
220	1.24					RSIR/CSIR		1/5	8.35	187-254 V, 50 Hz	F1	190	184	6.2	6.2	5.0		X
220	1.24					RSIR/CSIR		1/5	8.35	187-254 V, 50 Hz	F1	190	184	6.2	6.2	5.0	5.0	X
220	1.24					RSIR/CSIR		1/5	8.35	187-254 V, 50 Hz	S	197	191	6.2	6.2	5.0		X
285	1.25					RSIR/CSIR		1/4	10.09	187-254 V, 50 Hz	S	203	197	8.2	6.2	6.2		X
285	1.25					RSIR/CSIR		1/4	10.09	187-254 V, 50 Hz	S	203	197	8.2	6.2	6.2	6.2	X
188	1.51					RSCR	4	1/6	6.70	198-254 V, 50 Hz	S	203	197	6.2	6.2	5.0		X
214	1.53					RSCR	4	1/5	7.27	198-254 V, 50 Hz	S	203	197	6.2	6.2	5.0		X
214	1.53					RSCR	4	1/5	7.27	198-254 V, 50 Hz	S	203	197	6.5	6.5	5.0		X
233	1.47					RSCR	4	1/5	8.35	198-254 V, 50 Hz	S	203	197	6.5	6.5	4.9		X
238	1.50					RSCR	4	1/5	8.35	198-254 V, 50 Hz	S	203	197	8.2	6.2	6.2		X
91	1.32					RSIR/RSCR	*	1/10	5.70	198-254 V, 50 Hz	S	163	159	6.2	6.2	5.0		X
108	1.31					RSIR/RSCR	*	1/10	6.49	198-254 V, 50 Hz	S	163	159	6.2	6.2	5.0		
126	1.32					RSIR/RSCR	*	1/10	7.48	198-254 V, 50 Hz	S	163	159	6.2	6.2	5.0		X
147	1.33					RSIR/RSCR	*	1/8	8.67	198-254 V, 50 Hz	S	163	159	6.2	6.2	5.0		X
168	1.26					RSIR/RSCR	*	1/7	10.13	198-254 V, 50 Hz	S	173	169	6.2	6.2	5.0		
89	1.23					RSIR/RSCR	*	1/10	5.70	187-254 V, 50 Hz	S	173	169	6.2	6.2	5.0		
103	1.23					RSIR/RSCR	*	1/10	6.49	187-254 V, 50 Hz	S	173	169	6.2	6.2	5.0		
119	1.22					RSIR/RSCR	*	1/10	7.76	187-254 V, 50 Hz	S	173	169	6.2	6.2	5.0		
143	1.27					RSIR		1/8	8.67	187-254 V, 50 Hz	S	173	169	6.2	6.2	5.0		
168	1.36					RSIR/RSCR	*	1/7	10.13	187-254 V, 50 Hz	S	173	169	6.2	6.2	5.0		
94	1.65					RSCR	4	1/10	5.70	198-254 V, 50 Hz	S	173	169	6.2	6.2	5.0		X
111	1.66					RSCR	4	1/10	6.49	198-254 V, 50 Hz	S	173	169	6.2	6.2	5.0		X
130	1.69					RSCR	3	1/8	7.48	198-254 V, 50 Hz	S	173	169	6.2	6.2	5.0		X
153	1.68					RSCR	4	1/7	8.67	198-254 V, 50 Hz	S	173	169	6.2	6.2	5.0		X
91	1.37					RSCR/RSIR	4 *	1/10	5.70	198-254 V, 50 Hz	S	163	159	6.2	6.2	5.0		
110	1.47					RSCR/RSIR	4 *	1/10	6.49	198-254 V, 50 Hz	S	163	159	6.2	6.2	5.0		
126	1.41					RSCR/RSIR	4 *	1/10	7.48	198-254 V, 50 Hz	S	163	159	6.2	6.2	5.0		
149	1.49					RSCR/RSIR	4 *	1/7	8.67	198-254 V, 50 Hz	S	163	159	6.2	6.2	5.0		X
170	1.55					RSCR/RSIR	4 *	1/6	10.13	198-254 V, 50 Hz	S	173	169	6.2	6.2	5.0		

ASHRAE						Motor type	Run capacitor [* optional]	Power	Displacement	Voltage and frequencies [* Dual frequencies 50/60Hz]	Compressor cooling cooling (refer to data sheet)	Dimensions						
LBP rating point -23.3°C / 54.4°C		MBP rating point -6.7°C / 54.4°C		HBP rating point 7.2°C / 54.4°C								Height [mm]		Connectors location/I.D. [mm]				alt. connectors available
Cooling capacity [W]	COP [W/W]	Cooling capacity [W]	COP [W/W]	Cooling capacity [W]	COP [W/W]							A	B	Suction C	Process D	Dis-charge E	Oil cooler F	
39	1.80	90	2.60			DC/PM		1/5	7.2	160-264 V, 50 Hz *	S	97	91	6.2	6.0 (o.d.)	3.2 (o.d.)		
79	1.82	176	2.51			DC/PM		1/5	7.2	160-264 V, 50 Hz *	S	97	91	6.2	6.0 (o.d.)	3.2 (o.d.)		
115	1.74	254	2.37			DC/PM		1/5	7.2	160-264 V, 50 Hz *	S	97	91	6.2	6.0 (o.d.)	3.2 (o.d.)		
145	1.69					DC/PM		1/5	7.2	160-264 V, 50 Hz *	S	97	91	6.2	6.0 (o.d.)	3.2 (o.d.)		
44	1.82	92	2.61			DC/PM		1/5	7.7	160-264 V, 50 Hz *	S	97	91	6.2	6.0 (o.d.)	3.2 (o.d.)		
70	1.88	139	2.60			DC/PM		1/5	7.7	160-264 V, 50 Hz *	S	97	91	6.2	6.0 (o.d.)	3.2 (o.d.)		
110	1.83	226	2.47			DC/PM		1/5	7.7	160-264 V, 50 Hz *	S	97	91	6.2	6.0 (o.d.)	3.2 (o.d.)		
165	1.72					DC/PM		1/5	7.7	160-264 V, 50 Hz *	S	97	91	6.2	6.0 (o.d.)	3.2 (o.d.)		
101	1.59	196	2.09			RSIR/RSCR	*	1/10	5.70	198-254 V, 50 Hz	S	175	169	6.2	4.5	5.0		X
128	1.59					RSIR/RSCR	*	1/8	7.48	198-254 V, 50 Hz	S	175	169	6.2	4.5	5.0		X
148	1.56					RSIR/RSCR	*	1/8	8.67	198-254 V, 50 Hz	S	175	169	6.2	4.5	5.0		
163	1.55					RSIR/RSCR	*	1/7	9.38	198-254 V, 50 Hz	S	175	169	6.2	4.5	5.0		X
182	1.56					RSIR/RSCR	*	1/6	10.14	198-254 V, 50 Hz	S	175	169	6.2	4.5	5.0		
128	1.78					RSCR	4	1/8	7.48	198-254 V, 50 Hz	S	175	169	6.2	4.5	5.0		
152	1.75					RSCR	4	1/7	8.67	198-254 V, 50 Hz	S	175	169	6.2	4.5	5.0		
167	1.73					RSCR	4	1/7	9.38	198-254 V, 50 Hz	S	175	169	6.2	4.5	5.0		
177	1.67					RSCR	4	1/6	10.14	198-254 V, 50 Hz	S	175	169	6.2	4.5	5.0		X
100	1.89					RSCR	2	1/10	5.70	198-254 V, 50 Hz	S	175	169	6.2	4.5	5.0		X
107	1.91					RSCR	2	1/10	6.49	198-254 V, 50 Hz	S	175	169	6.2	4.5	5.0		X
127	1.91					RSCR	2.5	1/8	7.48	198-254 V, 50 Hz	S	175	169	6.2	4.5	5.0		X
151	1.91					RSCR	2.5	1/7	8.67	198-254 V, 50 Hz	S	175	169	6.2	4.5	5.0		X
168	1.89					RSCR	3.5	1/6	9.38	198-254 V, 50 Hz	S	175	169	6.2	4.5	5.0		
185	1.89					RSCR	3	1/6	10.14	198-254 V, 50 Hz	S	175	169	6.2	4.5	5.0		X
170	1.51					RSIR/RSCR	*	1/6	10.09	198-254 V, 50 Hz	S	190	183	6.2	6.2	5.0		
191	1.52					RSIR/RSCR	*	1/6	11.15	198-254 V, 50 Hz	S	190	183	6.2	6.2	5.0		
226	1.51					RSIR/RSCR	*	1/5	13.25	198-254 V, 50 Hz	S	190	183	6.2	6.2	5.0		
253	1.54					RSIR/RSCR	*	1/4	14.65	198-254 V, 50 Hz	S	197	190	6.2	6.2	5.0		
131	1.33					RSIR/RSCR	*	1/8	8.35	187-254 V, 50 Hz *	S	197	190	6.2	6.2	5.0		
168	1.31					RSIR/RSCR	*	1/7	11.15	187-254 V, 50 Hz *	S	197	190	6.2	6.2	5.0		
226	1.28					RSIR/RSCR	*	1/5	14.65	187-254 V, 50 Hz	S	197	190	6.2	6.2	5.0		
199	1.51					RSIR/RSCR	*	1/5	11.15	187-254 V, 50 Hz	S	203	197	6.2	6.2	5.0		
227	1.52					RSIR/RSCR	*	1/5	13.25	187-254 V, 50 Hz	S	203	197	6.2	6.2	5.0		
254	1.52					RSIR/RSCR	*	1/4	14.65	187-254 V, 50 Hz	S	203	197	6.2	6.2	5.0		
249	1.49	500	2.05	868	2.58	RSIR/RSCR	*	1/4	14.65	198-254 V, 50 Hz	S	203	197	6.2	6.2	5.0		
127	1.94					RSCR	2.5	1/8	8.05	198-254 V, 50 Hz	S	203	197	6.2	6.2	5.0		X
176	1.98					RSCR	2.5	1/6	10.09	198-254 V, 50 Hz	S	203	197	6.2	6.2	5.0		
200	1.98					RSCR	2.5	1/5	11.15	198-254 V, 50 Hz	S	203	197	6.2	6.2	5.0		
230	1.98					RSCR	3	1/5	13.25	198-254 V, 50 Hz	S	203	197	6.2	6.2	5.0		
259	1.97					RSCR	3	1/4	14.65	198-254 V, 50 Hz	S	203	197	6.2	6.2	5.0		
205	1.85					RSCR	3	1/5	11.15	187-254 V, 50 Hz	S	203	197	6.2	6.2	5.0		
231	1.87					RSCR	5	1/5	13.25	187-254 V, 50 Hz	S	203	197	6.2	6.2	5.0		
260	1.85					RSCR	4	1/4	14.65	187-254 V, 50 Hz	S	203	197	6.2	6.2	5.0		
172	1.75					RSCR	3	1/6	10.09	198-254 V, 50 Hz	S	203	197	6.2	6.2	5.0		
224	1.75					RSCR	4	1/5	13.25	198-254 V, 50 Hz	S	203	197	6.2	6.2	5.0		
248	1.72					RSCR	2	1/4	14.65	198-254 V, 50 Hz	S	203	197	6.2	6.2	5.0		
133	1.88					RSCR	3	1/8	8.05	198-254 V, 50 Hz	S	203	197	6.2	6.2	5.0		
151	1.90					RSCR	2	1/7	8.76	198-254 V, 50 Hz	S	203	197	6.2	6.2	5.0		X
178	1.89					RSCR	2	1/6	10.09	198-254 V, 50 Hz	S	203	197	6.2	6.2	5.0		X
198	1.88					RSCR	2	1/5	11.15	198-254 V, 50 Hz	S	203	197	6.2	6.2	5.0		
223	1.87					RSCR	3	1/5	13.25	198-254 V, 50 Hz	S	203	197	6.2	6.2	5.0		X
255	1.88					RSCR	4	1/4	14.65	198-254 V, 50 Hz	S	203	197	8.2	6.2	6.2		X
175	1.88					RSCR	4	1/6	10.09	198-254 V, 50 Hz	S	203	197	6.2	6.2	5.0		X
195	1.86					RSCR	4	1/6	11.15	198-254 V, 50 Hz	S	203	197	6.2	6.2	5.0		X
225	1.85					RSCR	4	1/5	13.25	198-254 V, 50 Hz	S	203	197	6.2	6.2	5.0		
254	1.85					RSCR	4	1/4	14.65	198-254 V, 50 Hz	S	203	197	6.2	6.2	5.0		

Compressors for Freezers • 220-240 V / 50 Hz • 115 V / 60 Hz

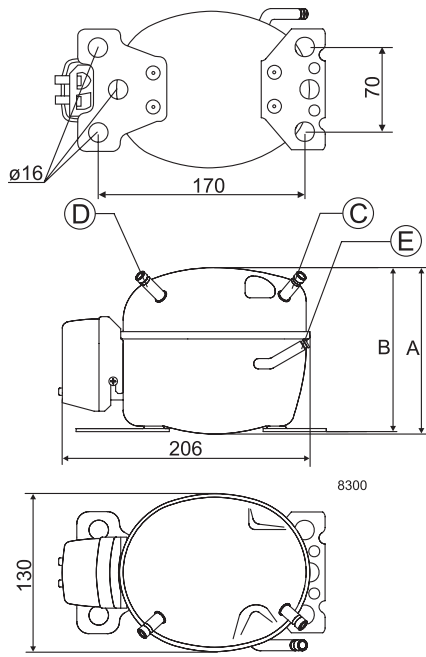
Refrigerant	Compressor	Code number	Application	EN 12900 Capacity [W] T _c =55°C, T _{liq} =55°C, T _{suc} =32°C Evaporating temperature [°C]							EN 12900						ASHRAE Capacity [W] T _c =54.4°C, T _{liq} =32.2°C, T _{suc} =32.2°C Evaporating temperature [°C]														
				LBP rating point -25°C / 55°C		MBP rating point -10°C / 55°C		HBP rating point 5°C / 55°C			Cooling capacity		COP		Cooling capacity		COP		-35		-15		-5		0		10		15		
				[W]		[W/W]		[W]		[W/W]		[W]		[W/W]		[W]		[W/W]		[W]		[W/W]		[W]		[W/W]		[W]		[W/W]	
				-35	-15	-5	0	10	15																						
R600a	HMK80AA	15950000	LBP	55	170					102	1.18	211	1.68				67	207													
	HMK95AA	15460700	LBP	67	207					125	1.20	257	1.72				81	253													
	HMK12AA	16236200	LBP	82	239					149	1.21	292	1.66				100	291													
	HTK55AA	16122700	LBP	32	119					69	1.20	150	1.79				39	146													
	HTK70AA	16106100	LBP	44	150					87	1.26	185	1.85				54	182													
	HTK80AA	16068300	LBP	55	170					102	1.26	212	1.83				67	207													
	HTK95AA	16068200	LBP	71	207					126	1.29	258	1.82				86	252													
	HTK12AA	16111600	LBP	82	239					149	1.29	292	1.77				100	291													
	HKK55AA	16124400	LBP	32	120					69	1.37	150	2.00				39	146													
	HKK70AA	16124500	LBP	44	148					87	1.40	186	1.98				54	181													
	HKK80AA	16072100	LBP	55	170					102	1.40	212	1.99				67	207													
	HKK95AA	16049700	LBP	69	207					126	1.42	256	1.95				84	252													
	HKK12AA	16065900	LBP	82	239					149	1.42	292	1.93				100	291													
	HXK55AA	15650400	LBP	36	122					72	1.45	152	2.00				44	149													
	HXK70AA	15690400	LBP	47	149					88	1.47	186	2.02				57	181													
	HXK80AA	15621800	LBP	58	173					105	1.50	214	2.05				71	210													
	HXK95AA	15592900	LBP	73	209					129	1.51	258	2.05				89	255													
	HXK12AA	15593100	LBP	83	245					152	1.50	300	2.04				101	299													
	HKK12AT	16173800	LBP	82	245					152	1.42	300	1.97				100	299													
	HTD30AA	16250500	LBP	14	62	98				34	1.17	79	1.81				17	76	120												
	HTD35AA	16250700	LBP	20	73	115				41	1.19	93	1.83				24	90	141												
	HTD40AA	16250900	LBP	25	86	135				50	1.22	109	1.87				31	106	165												
	HTD45AA	16251100	LBP	30	104	159				61	1.24	130	1.78				37	127	194												
	HTD55AA	16251300	LBP	40	126	189				76	1.27	156	1.83				49	154	231												
	HTD60AA	16255700	LBP	50	144	221				87	1.27	180	1.80				62	176	269												
	HXD30AA	16260300	LBP	14	62	98				34	1.32	79	2.03				17	76	120												
	HXD35AA	16260700	LBP	20	73	115				41	1.33	93	2.04				24	90	141												
	HXD40AA	16261700	LBP	25	86	135				50	1.36	109	2.06				31	106	165												
	HXD45AA	16261900	LBP	30	104	159				61	1.40	130	2.02				37	127	194												
	HXD55AA	16257500	LBP	40	126	189				76	1.44	156	2.09				49	154	231												
HXD60AA	16302500	LBP	48	145					88	1.43	180	2.04				59	177														

Refrigerant	Compressor	Code number	Application	EN 12900 Capacity [W] T _c =55°C, T _{liq} =55°C, T _{suc} =32°C Evaporating temperature [°C]							EN 12900						ASHRAE Capacity [W] T _c =54.4°C, T _{liq} =32.2°C, T _{suc} =32.2°C Evaporating temperature [°C]														
				LBP rating point -25°C / 40°C		MBP rating point -10°C / 55°C		HBP rating point 5°C / 55°C			Cooling capacity		COP		Cooling capacity		COP		-35		-15		-5		0		10		15		
				[W]		[W/W]		[W]		[W/W]		[W]		[W/W]		[W]		[W/W]		[W]		[W/W]		[W]		[W/W]		[W]		[W/W]	
				-35	-15	-5	0	10	15																						
R134a	TFS4.5FT	102G3432	L/MBP	56	180	290	358			102	0.84	231	1.27	435	1.69	70	223	360	444												
	TFS4.5FT	102G3433	LBP	56	180					102	0.84	231	1.27			70	223														
	TLS4.5F	102G3420	LBP	56	180	290				102	0.83	231	1.26			70	223	360													
	TTE4.6FK	102G3448	LBP	50	184					106	1.06	235	1.57			62	229														
	TTY5F	102G3546	LBP	62	224					126	1.05	289	1.59			77	278														
	NF6FK	105G5628	L/MBP	63	249	397	490			143	0.88	317	1.30	599	1.91	79	309	493	610												
	NF7FK	105G5728	L/MBP	91	302	473	583			180	0.93	380	1.33	711	1.90	112	374	587	724												
	NTY5.5FK	105G5620	LBP	90	256					151	1.14	329	1.59			111	318														
	NTY9FK	105G5921	LBP	129	369					221	1.18	469	1.61			159	458														
R600a	NLE11KTK	105H5942	L/MBP	87	255	395	470			145	0.95	322	1.42	544	1.83	106	311	482	574												
	NLE13KTK	105H5949	L/MBP	100	284	441	535			170	0.95	357	1.37	638	1.78	122	347	538	653												

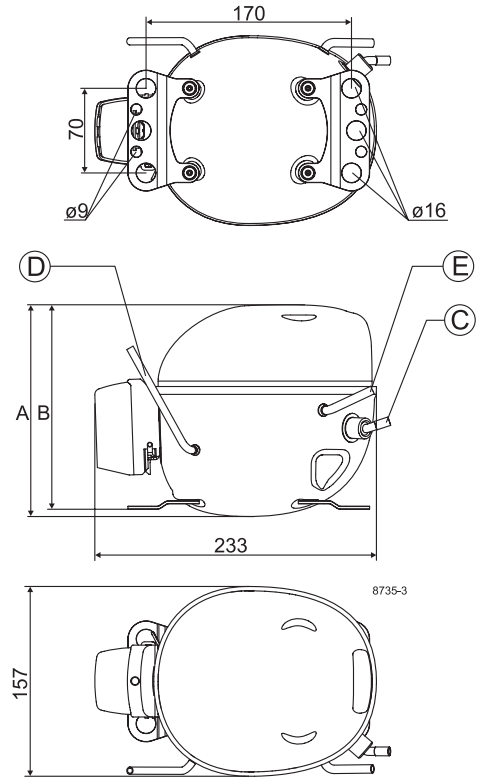
ASHRAE						Motor type	Run capacitor [* optional]	Power	Displacement	Voltage and frequencies [* Dual frequencies 50/60Hz]	Compressor cooling cooling (refer to data sheet)	Dimensions						
LBP rating point -23.3°C / 54.4°C		MBP rating point -6.7°C / 54.4°C		HBP rating point 7.2°C / 54.4°C								Height [mm]		Connectors location/I.D. [mm]				alt. connectors available
Cooling capacity	COP	Cooling capacity	COP	Cooling capacity	COP							A	B	Suction	Process	Dis-charge	Oil cooler	
[W]	[W/W]	[W]	[W/W]	[W]	[W/W]							μF	[HP]	[cm³]	C	D	E	
136	1.51					RSIR		1/8	8.10	187-264 V, 50 Hz	S	159	165.5	6.15	6.0 (o.d.)	5.15		X
168	1.55					RSIR		1/7	9.60	187-264 V, 50 Hz	S	167	173.5	6.15	6.0 (o.d.)	5.15		X
199	1.54					RSIR		1/5	11.20	187-264 V, 50 Hz	S	167	173.5	6.15	6.0 (o.d.)	5.15		X
93	1.55					RSIR/RSCR	2 *	1/10	5.60	187-264 V, 50 Hz	S	159	165.5	6.15	6.0 (o.d.)	5.15		X
118	1.62					RSIR/RSCR	3 *	1/10	6.60	187-264 V, 50 Hz	S	159	165.5	6.15	6.0 (o.d.)	5.15		X
136	1.62					RSIR/RSCR	3 *	1/8	8.10	187-264 V, 50 Hz	S	159	165.5	6.15	6.0 (o.d.)	5.15		X
168	1.65					RSIR/RSCR	4 *	1/7	9.60	187-264 V, 50 Hz	S	167	173.5	6.15	6.0 (o.d.)	5.15		X
199	1.64					RSIR/RSCR	4 *	1/5	11.20	187-264 V, 50 Hz	S	167	173.5	6.15	6.0 (o.d.)	5.15		X
94	1.77					RSCR	2.5	1/10	5.60	187-264 V, 50 Hz	S	159	165.5	6.15	6.0 (o.d.)	5.15		X
118	1.80					RSCR	3	1/10	6.60	187-264 V, 50 Hz	S	159	165.5	6.15	6.0 (o.d.)	5.15		X
136	1.80					RSCR	3	1/8	8.10	187-264 V, 50 Hz	S	159	165.5	6.15	6.0 (o.d.)	5.15		X
169	1.81					RSCR	4	1/7	9.60	187-264 V, 50 Hz	S	167	173.5	6.15	6.0 (o.d.)	5.15		X
198	1.81					RSCR	4	1/5	11.20	187-264 V, 50 Hz	S	167	173.5	6.15	6.0 (o.d.)	5.15		X
98	1.85					RSCR	3	1/10	5.60	187-264 V, 50 Hz	S	159	165.5	6.15	6.0 (o.d.)	5.15		X
119	1.88					RSCR	3	1/10	6.60	187-264 V, 50 Hz	S	167	173.5	6.15	6.0 (o.d.)	5.15		X
141	1.91					RSCR	3	1/8	8.10	187-264 V, 50 Hz	S	167	173.5	6.15	6.0 (o.d.)	5.15		X
172	1.92					RSCR	4	1/6	9.60	187-264 V, 50 Hz	S	167	173.5	6.15	6.0 (o.d.)	5.15		X
203	1.91					RSCR	4	1/5	11.10	187-264 V, 50 Hz	S	167	173.5	6.15	6.0 (o.d.)	5.15		X
203	1.81					RSCR	4	1/5	11.10	187-264 V, 50 Hz	S	167	173.5	6.15	6.0 (o.d.)	5.15		X
46	1.53	101	2.18			RSIR/RSCR	1 *	1/25	3.00	187-264 V, 50 Hz	S	133		6.2	6.0 (o.d.)	5.0		
56	1.55	119	2.19			RSIR/RSCR	1.5 *	1/20	3.50	187-264 V, 50 Hz	S	133		6.2	6.0 (o.d.)	5.0		
68	1.58	140	2.24			RSIR/RSCR	2 *	1/10	4.00	187-264 V, 50 Hz	S	133		6.2	6.0 (o.d.)	5.0		
83	1.60	165	2.11			RSIR/RSCR	2 *	1/10	4.80	187-264 V, 50 Hz	S	133		6.2	6.0 (o.d.)	5.0		
103	1.63	197	2.18			RSIR/RSCR	2 *	1/10	5.50	187-264 V, 50 Hz	S	133		6.2	6.0 (o.d.)	5.0		
117	1.63	228	2.13			RSIR/RSCR	2 *	1/10	6.20	187-264 V, 50 Hz	S	133		6.2	6.0 (o.d.)	5.0		
46	1.72	101	2.43			RSCR	1	1/25	3.00	187-264 V, 50 Hz	S	133		6.2	6.0 (o.d.)	5.0		
56	1.73	119	2.44			RSCR	1.5	1/20	3.50	187-264 V, 50 Hz	S	133		6.2	6.0 (o.d.)	5.0		
68	1.76	140	2.46			RSCR	2	1/10	4.00	187-264 V, 50 Hz	S	133		6.2	6.0 (o.d.)	5.0		
83	1.80	165	2.38			RSCR	2	1/10	4.80	187-264 V, 50 Hz	S	133		6.2	6.0 (o.d.)	5.0		
103	1.85	197	2.49			RSCR	2	1/10	5.50	187-264 V, 50 Hz	S	133		6.2	6.0 (o.d.)	5.0		
117	1.83					RSCR	2	1/10	6.20	187-264 V, 50 Hz	S	133		6.2	6.0 (o.d.)	5.0		

ASHRAE						Motor type	Run capacitor [* optional]	Power	Displacement	Voltage and frequencies [* Dual frequencies 50/60Hz]	Compressor cooling cooling (refer to data sheet)	Dimensions						
LBP rating point -23.3°C / 54.4°C		MBP rating point -6.7°C / 54.4°C		HBP rating point 7.2°C / 54.4°C								Height [mm]		Connectors location/I.D. [mm]				alt. connectors available
Cooling capacity	COP	Cooling capacity	COP	Cooling capacity	COP							A	B	Suction	Process	Dis-charge	Oil cooler	
[W]	[W/W]	[W]	[W/W]	[W]	[W/W]							μF	[HP]	[cm³]	C	D	E	
140	1.10	304	1.56	531	2.00	RSIR/CSIR		1/6	4.63	95-135 V, 60 Hz	S	173	169	6.5	6.5	4.9		X
140	1.10					RSIR		1/8	4.63	95-135 V, 60 Hz	S	173	169	6.5	6.5	4.9		X
140	1.09	304	1.54			RSIR/CSIR		1/8	4.63	103-127 V, 60 Hz	S	163	159	6.5	6.5	5.0		
145	1.38					RSCR	15	1/8	4.63	103-127 V, 60 Hz	S	173	169	6.5	6.5	5.0		
174	1.38					RSCR	15	1/6	5.54	103-127 V, 60 Hz	S	173	169	6.5	6.5	4.9		
196	1.14	416	1.62	739	2.32	RSIR/CSIR		1/5	6.13	95-135 V, 60 Hz	F2	203	197	8.2	6.5	6.5		X
245	1.20	496	1.66	876	2.30	RSIR/CSIR		1/4	7.27	95-135 V, 60 Hz	F2	203	197	8.2	6.5	6.5		
205	1.48					RSCR	15	1/5	6.13	103-127 V, 60 Hz	S	203	197	8.2	6.5	6.5		
299	1.53					RSCR	15	1/4	8.35	103-127 V, 60 Hz	S	203	197	8.2	6.5	6.5		
196	1.23	414	1.72			RSIR/RSCR	*	1/6	11.15	95-135 V, 60 Hz	F1	197	191	8.2	6.5	6.5		
227	1.21	460	1.66			RSIR/RSCR	*	1/5	13.25	95-135 V, 60 Hz	F1	197	191	8.2	6.5	6.5		

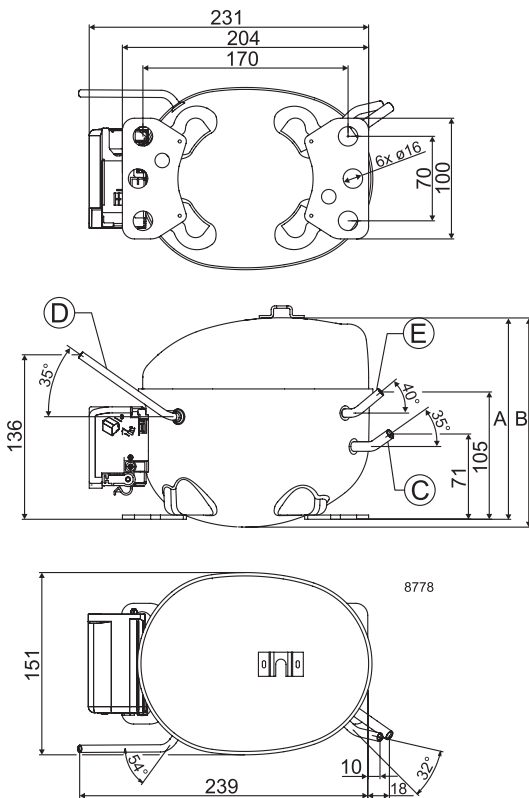
PL



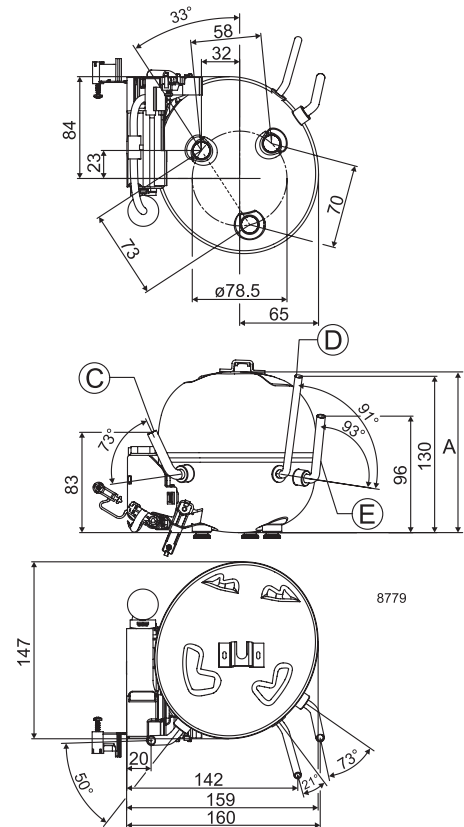
DLE / DLY / DLX



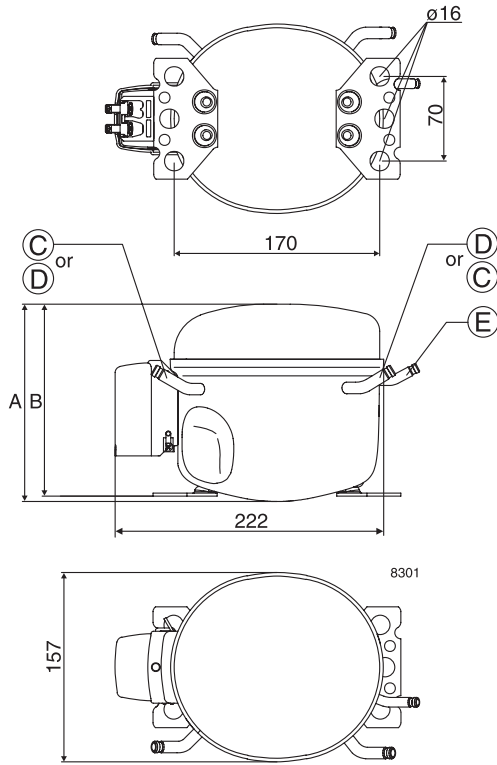
KAPPA (HMK, HTK, HKK, HXK)



DELTA (HTD, HXD)

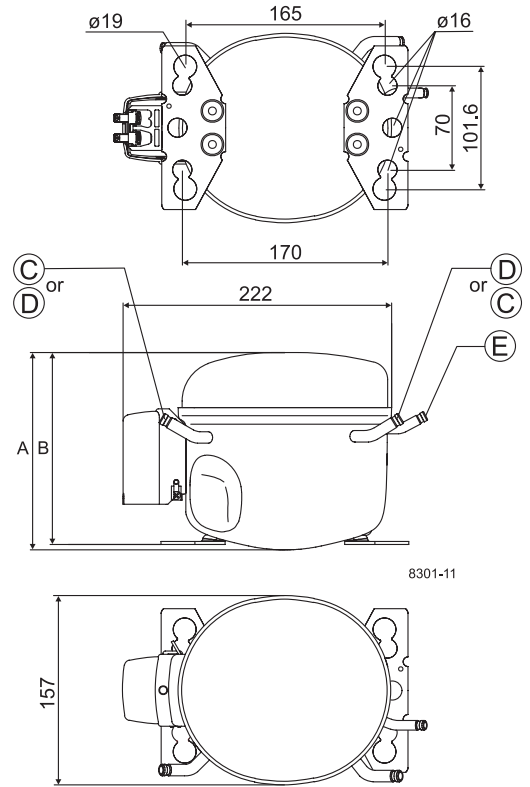


TL



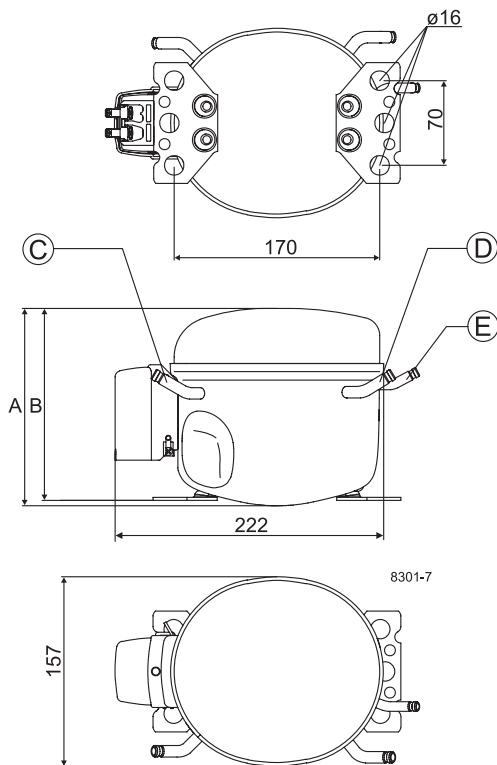
8301

TL - large baseplate (mainly for 115 V types)



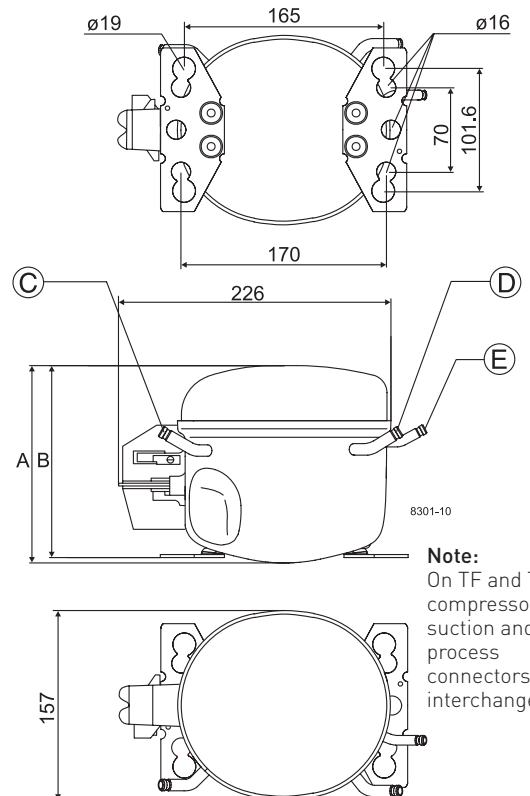
8301-11

TLS / TLES / TLY / TLX



8301-7

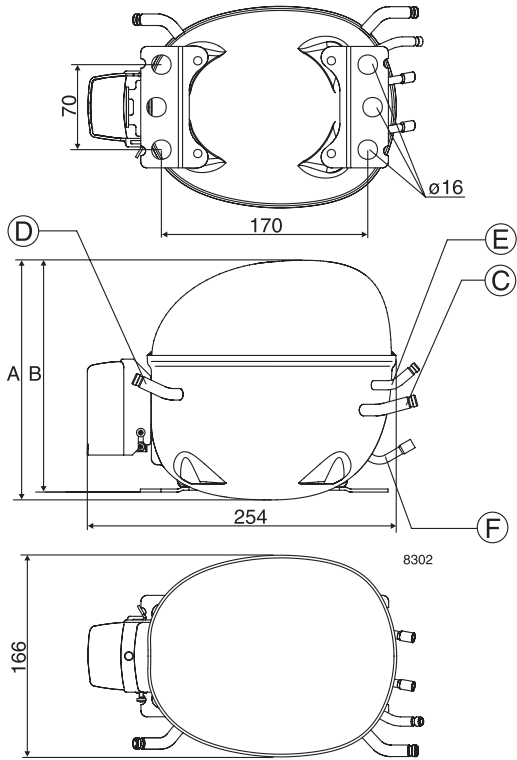
TF / TT / TTL / TFS / TTE / TTY



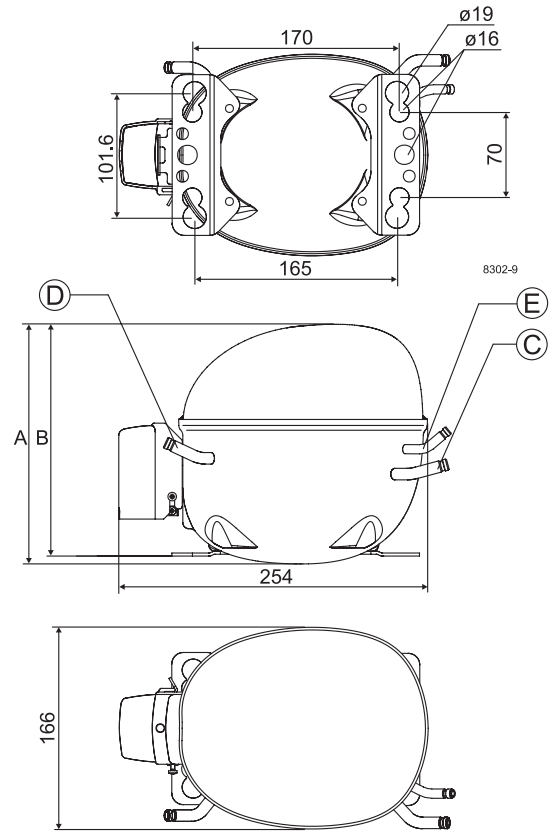
8301-10

Note:
On TF and TT compressors suction and process connectors are interchangeable.

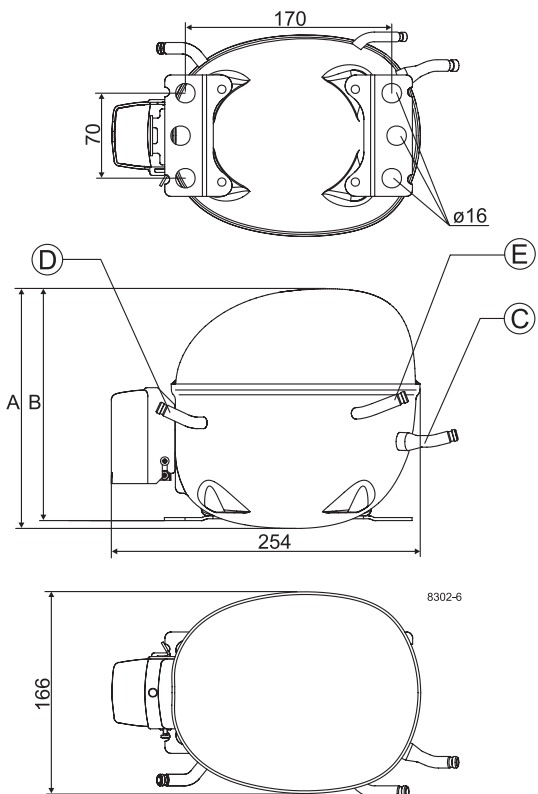
NL / NLE / NLY



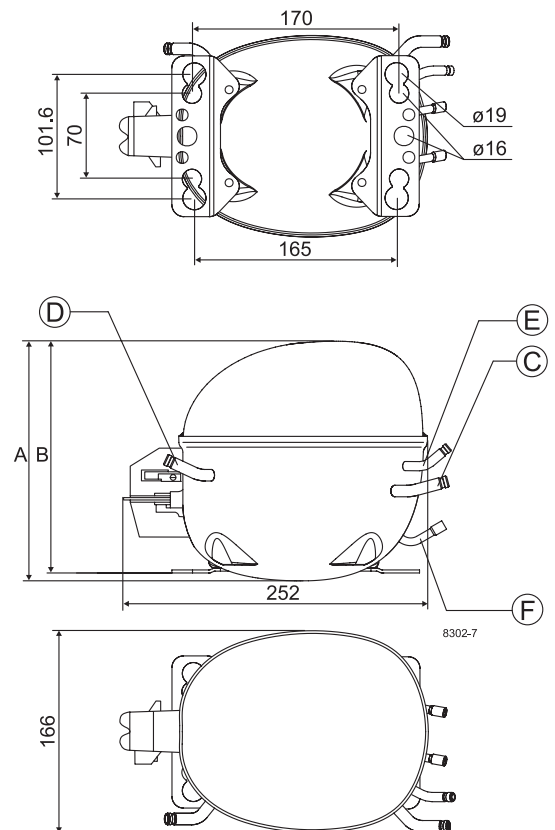
NLE - large baseplate (mainly for 115 V types)

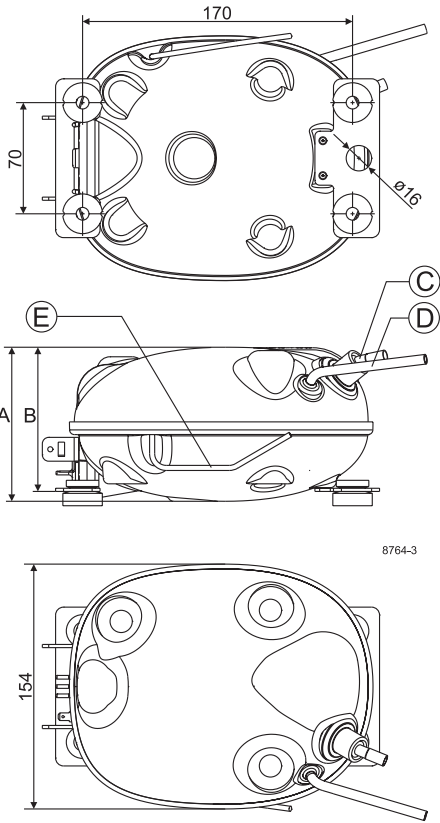


NLU / NLX



NF / NTY





OUR IDENTITY

At Secop we are committed to our industry and are genuinely passionate about the difference we are able to make for our customers. We understand their business and objectives and the challenges of today's world of refrigeration and cooling systems.

We work in a straightforward way, being open, direct and honest because we want to make things clear and easy.

Our people are committed to increasing value for our customers and constantly strive for better performance, knowing that our own progression and success is dependent on theirs.



OUR JOURNEY
SO FAR

<p>1956 Production facility and headquarters in Flensburg, Germany founded</p>	<p>1970 Introduction of SC compressors. The birth of a standard setting platform in the light commercial market.</p>	<p>1990 Introduction NL compressors.</p>	<p>1992 Introduction PL compressors.</p>	<p>1999 Start of production with natural refrigerant R290 (Propane).</p>	<p>2005 Introduction GS compressors.</p>	<p>2008 Production facility in Wuqing, China founded.</p>	<p>2013 Introduction of the XV compressor. Opening a new chapter in refrigeration history. Secop acquires ACC Fürstenfeld, Austria.</p>
<p>1958 Start up production of PW compressors.</p>	<p>1972 Introduction FR compressors.</p>	<p>1977 Introduction TL and BD compressors.</p>	<p>1993 Start of production with natural refrigerant R600a (Isobutane) Production facility in Crnomelj, Slovenia founded.</p>	<p>2002 Production facility in Zlate Moravce, Slovakia founded.</p>	<p>2010 Introduction SLV-CNK.2 and SLV-CLK.2 variable speed compressors. Introduction BD1.4F Micro DC compressor. Introduction of DLX and NLU compressors.</p>		

