

LINEAR & RECIPROCATING COMPRESSOR

COMPRESSOR TECHNOLOGY
FOR REFRIGERATION



GLOBAL NETWORK

Changwon, Korea

· Address 76 Seongsan-dong, Changwon City
Gyeongnam, 641-713, South Korea
· Phone +82-55-269-3868
· Fax +82-55-268-4896
· Website www.lge.com/global/business

Taizhou, China

· Address Taizhou LG Electronics
Refrigeration Co., LTD. 2,
Xianglin Road, Hailing Zone
Taizhou, Jiangsu, P.R.C. China
· Phone +86-523-8018-9484

Noida, India

· Address LG Electronics India P Ltd,
Compressor-Plot No 51,
Udyog Vihar, Surajpur-Kasna Road,
Greater Noida, Uttar Pradesh, India
· Phone +91-120-256-0900

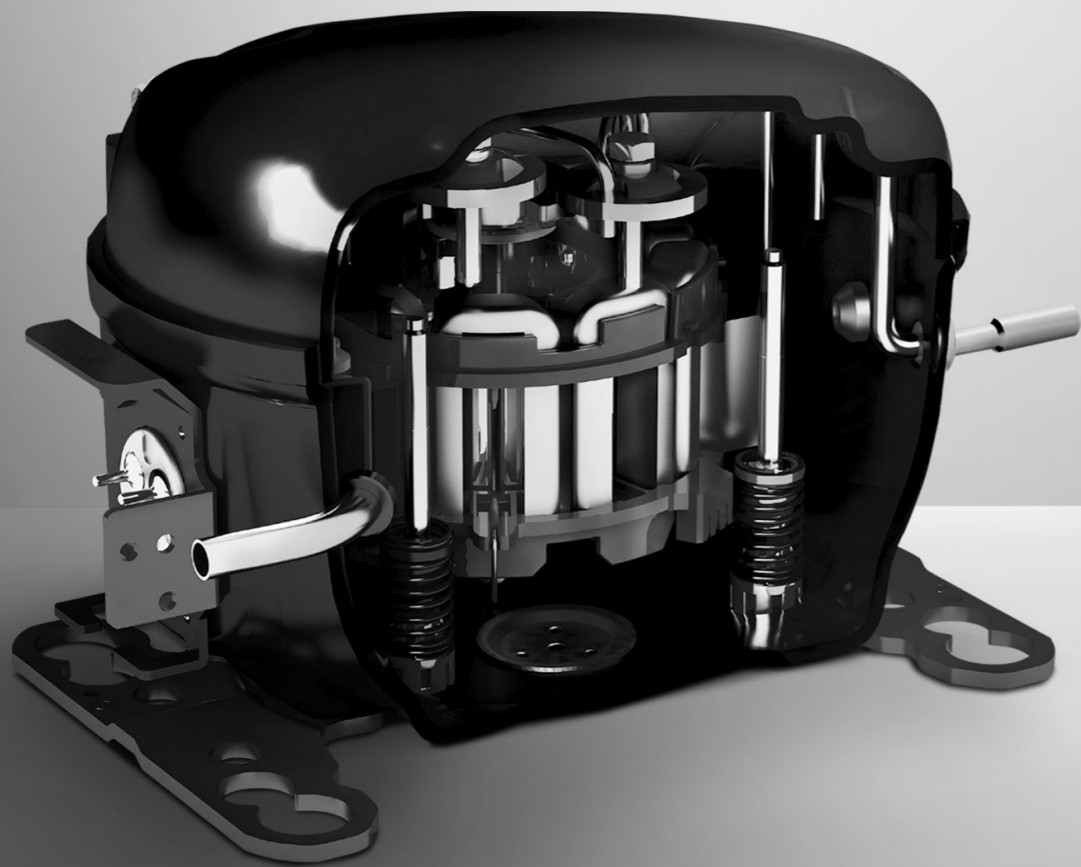
For continual product development, LG reserves the right to change specifications without notice.
© LG Electronics Inc. Printed in Korea. Oct, 2019



WHY LG COMPRESSOR?

LG Component Solutions Business Unit offers meaningful and unique solutions to meet modern sustainability standards with environmentally sound and energy-efficient technologies.

To continue to deliver the highest level of satisfaction to all our partners, we will continue with our technological advancements to supply only the best sustainable components and inverter total solutions optimized for residential and commercial environments.



TECHNOLOGY

LG compressors are a group of high-precision machinery and assembly technologies continuously designed to perform even under the most challenging environments. Built with today's leading core technology, inverter motor and drive for optimized products developed to work around the world's evolving needs.

MODEL VARIETY

LG offers an extensive product selection of refrigerator compressors from Linear and Reciprocating, constant and inverter, for low and high pressure, to fully support your various business needs and applications

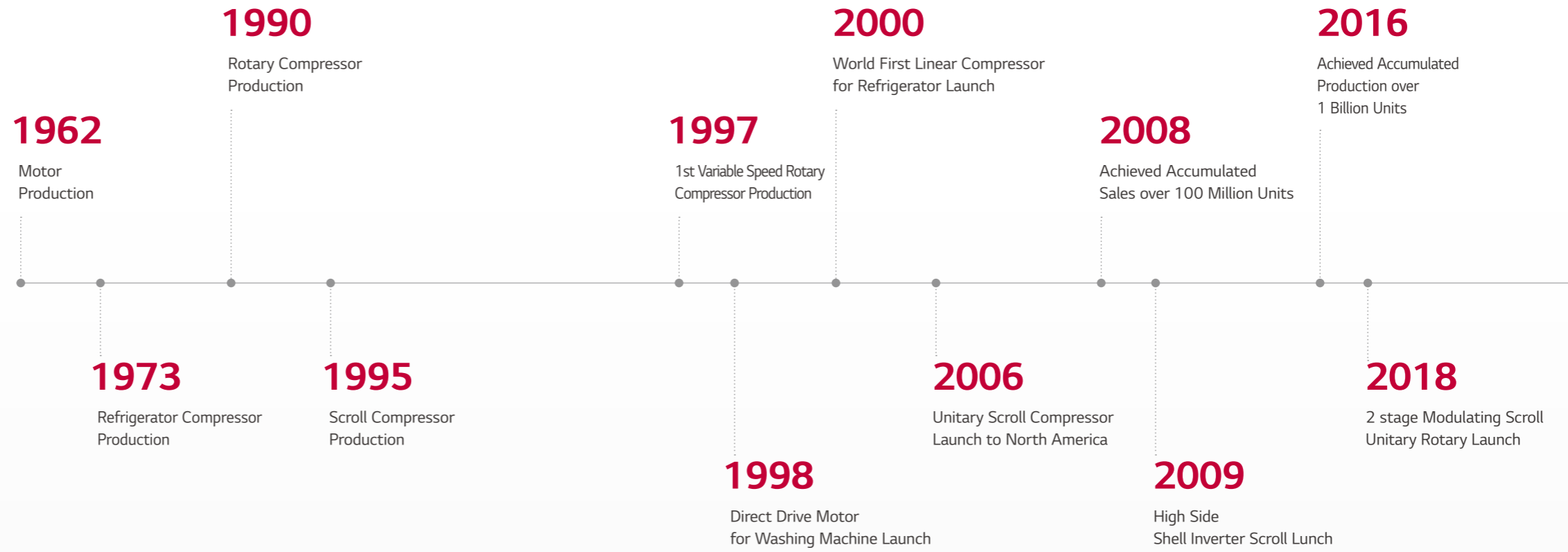
CUSTOMER SUPPORT

Enabling customers for optimal business performance, LG offers technical support to ensure our products are delivered with the differentiated level of quality verifiable through our highly qualified R&D process.

QUALITY

With worldwide recognition for high product quality and sustainability, LG ensures all products are delivered at full value with production quality and safety checks to ensure full customer satisfaction.

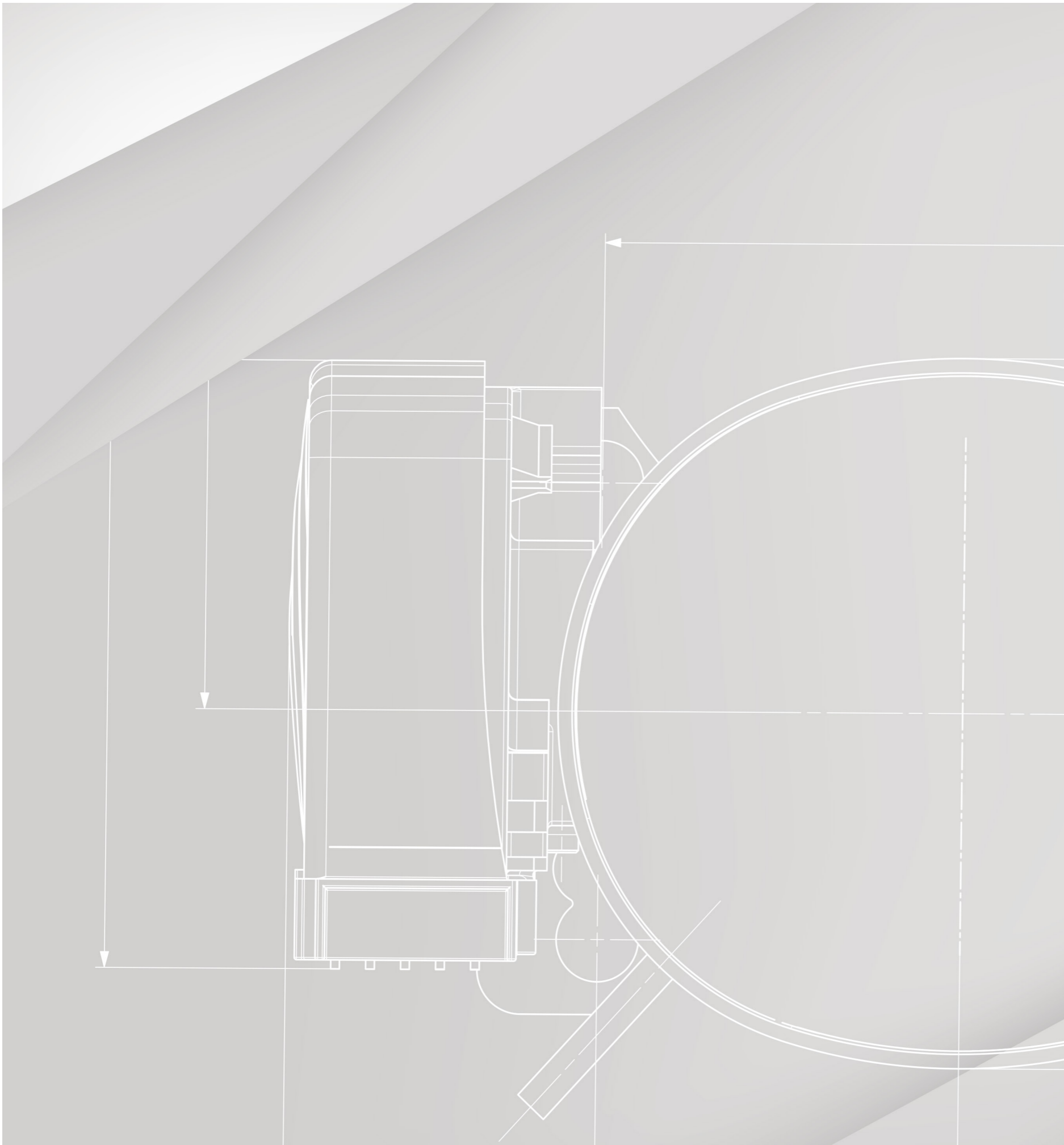
MILESTONES & GLOBAL SITE



○ SALES OFFICE 12 SITE

○ FACTORY 7 SITE

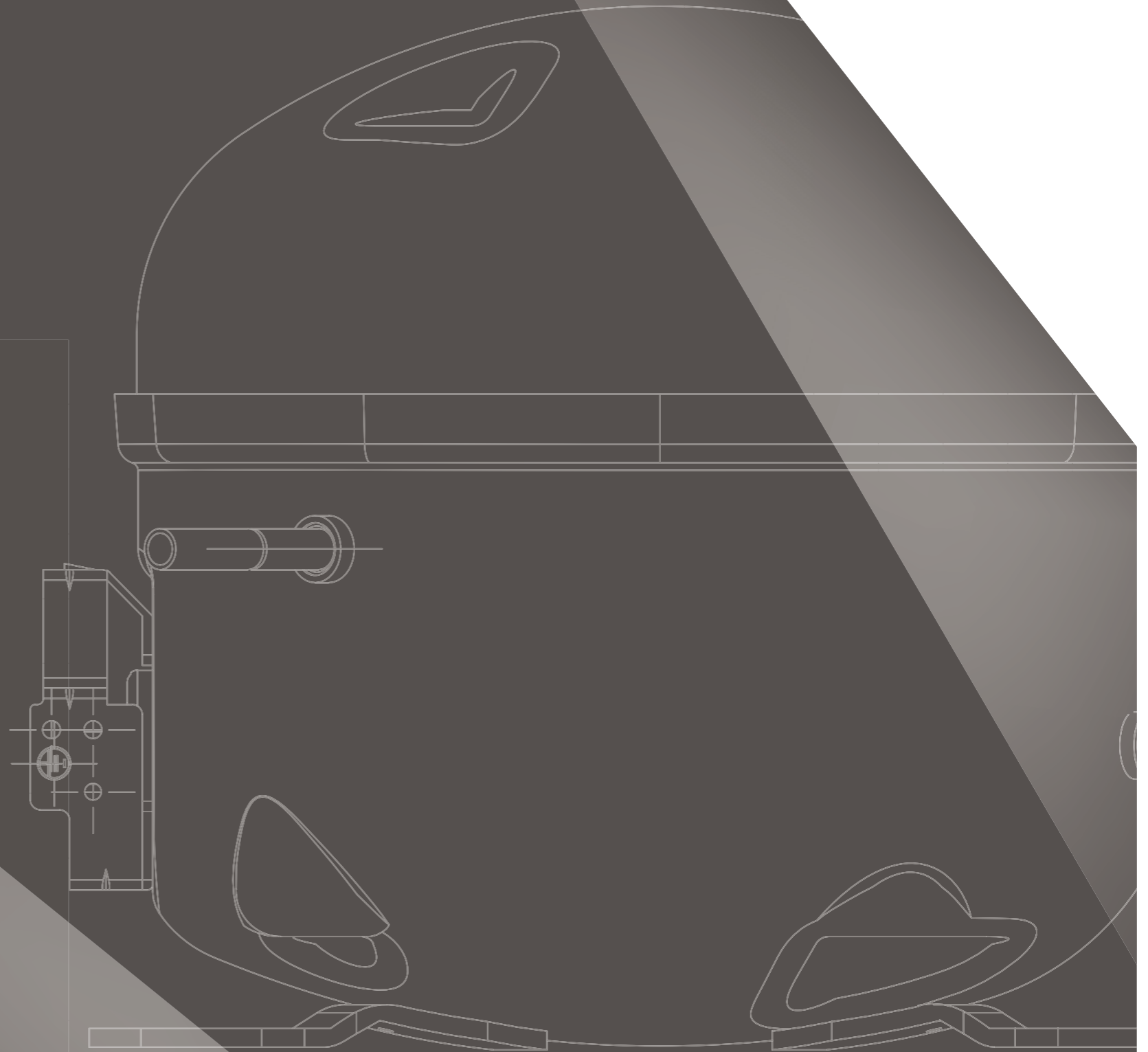
Linear	Korea, China (Taizhou)
Reciprocating	Korea, China (Taizhou), India (Noida)
Rotary	Korea, China (Tianjin), Thailand (Rayong)
Scroll	Korea, China (Tianjin)
Casting	China (Qinhuangdao)



CONTENTS

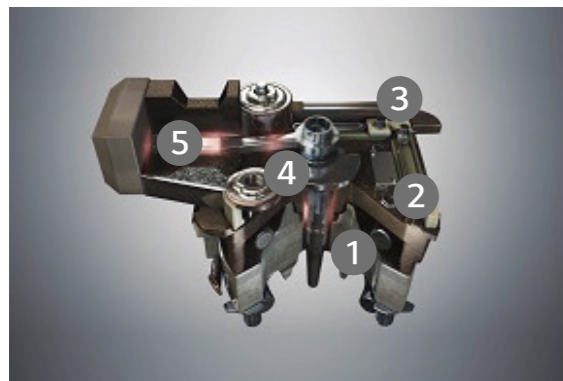
Why LG Compressor?	01
Milestones & Global Site	02
LG Linear Compressor	
- Linear Compressor Key Feature	08
- Applications	09
- Additional Benefits	09
- Product Range	10
- Nomenclature	11
- Specification	12
- Wiring Diagram	13
- Accessory Parts	13
- Packing & Container Stuffing Quantity	13
LG Reciprocating Compressor	
- Product Range	16
- Nomenclature	17
- Specification Variable Speed R600a	18
- Specification Variable Speed R134a	26
- Specification Fixed Speed R600a	28
- Specification Fixed Speed R134a	31
- Specification Fixed Speed R290	35
- Specification Drive	36
- Attached / Detached Controller	37
- Mounting	37
- Packing & Container Stuffing Quantity	37
LG Ultra Compact Reciprocating Compressor	
- Specification	40
- Electrical Data	41
- Mounting	41
- Packing & Container Stuffing Quantity	41

LINEAR COMPRESSOR



LINEAR COMPRESSOR KEY FEATURE

LESS FRICTION POINTS



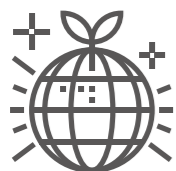
Reciprocating Inverter
5 friction points



Linear
1 friction point

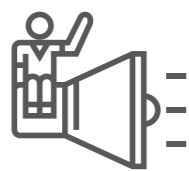
ENERGY SAVING

Linear compressor has higher efficiency and less efficiency variation.



LESS NOISE

LG Linear compressor has a more stable noise.



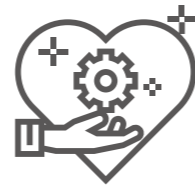
EASY APPLICATION

LG Linear compressor has better responsiveness of control.

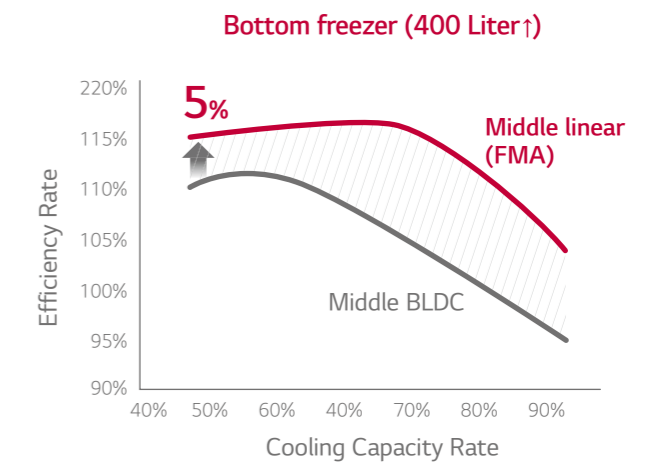
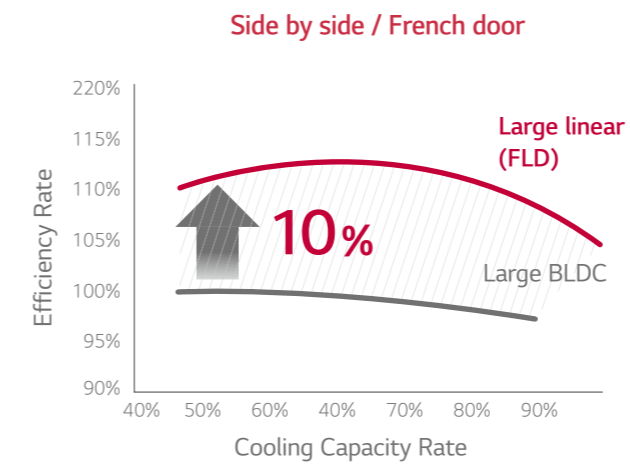


QUALITY

LG Linear compressor is highly competitive on the quality.

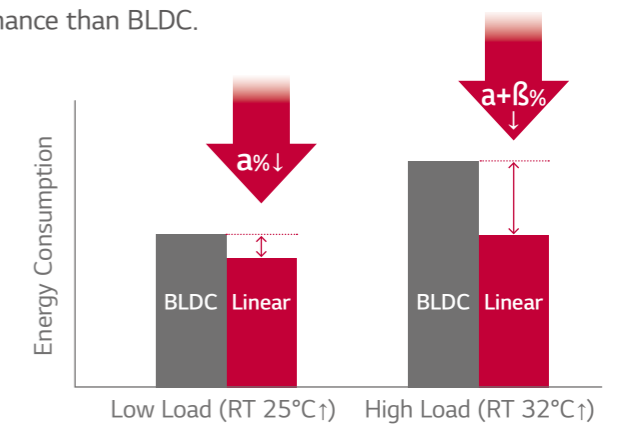
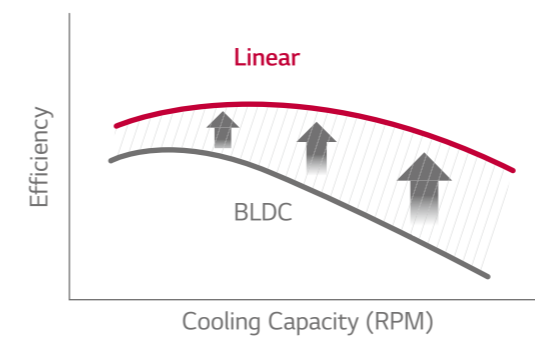


Applications

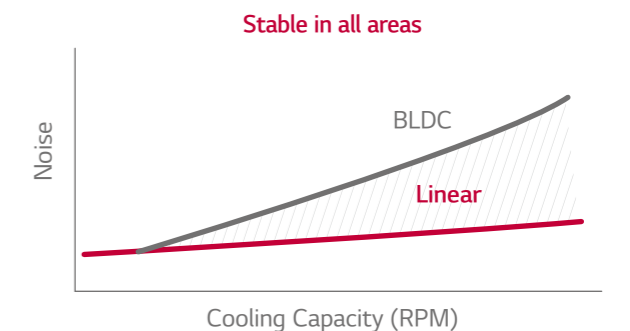
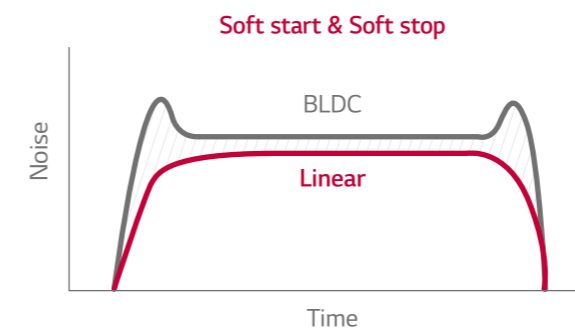


Additional Benefits

LG linear compressor has better characteristics of performance than BLDC.



LG linear compressor has more stable noise than BLDC.



Product Range

Linear Line-up

Refrigerant	Model	Capacity(W) @ASHRAE				
		0	100	200	300	400
R134a	Large Displacement [cc]					
	Medium Displacement [cc]					
R600a	Large Displacement [cc]					
	Medium Displacement [cc]					

Note :

Test condition	Evaporating temperature	Condensing temperature	Ambient temperature
ASHRAE	-23.3°C	54.4°C	32.2°C

Nomenclature

F L C 150 N A M A

Product type

F : Linear

Size

L : Large
M : Medium

Generation code

(A-Z)

Capacity

Displacement
(ex : 150 = 15.0cc/rev)

Operating type

Code	Operating type
V	BLDC
E	E-Control
A	A-Control

Rated voltage & frequency

M : 220-240V, 50 / 60Hz
N : 115-127V, 50 / 60Hz

Improvement order

A/B/C : Cu Wire
H/J : Al Wire

Refrigerants

L : R134a
H : R134a HBP
N : R600A
P : R290a

Specification

R600a / R134a

Application : LBP

Refrigerant	Model	Magnet	Rate		Performance								Noise dBA
			Voltage	Frequency	@ASHRAE	@ AHAM	@REF Condition						
					Capa' [W]	EER	EER						
					CCR	CCR	CCR	CCR	CCR	CCR	CCR		
			V	Hz	100%	50-100%	100%	100%	90%	80%	70%	60%	
					200	9.3	120	8.4	8.5	8.5	8.6	8.6	37.5
R600a	FMA088NBMA	Nd	220-240	50 / 60	200	9.3	120	8.4	8.5	8.5	8.6	8.6	37.5
	FME088NAMA	Ferrite	220-240	50 / 60	180	8.1	180	7.5	7.6	7.6	7.5	7.4	36.0
	FMC088NAMA	Ferrite	220-240	50 / 60	180	8.2	180	7.6	7.7	7.7	7.6	7.5	37.5
	FMA102NAMA	Nd	220-240	50 / 60	220	9.1	150	8.3	8.4	8.4	8.5	8.4	37.5
	FMA102NBMA	Nd	220-240	50 / 60	220	9.3	150	8.4	8.5	8.5	8.6	8.5	37.5
	FLC150NAMA	Ferrite	220-240	50 / 60	330	8.7	280	7.9	8.1	8.1	8.1	8	38
	FLD165NAMA	Nd	220-240	50 / 60	350	9.4	230	8.4	8.5	8.5	8.4	8.3	37.5
	FLD165NBMA	Nd	220-240	50 / 60	350	9.6	230	8.6	8.7	8.7	8.6	8.5	37.5
	FLD165NCMA	Nd	220-240	50 / 60	350	9.8	230	8.8	8.9	8.9	8.8	8.7	37.5
FLE165NAMA	Ferrite	220-240	50 / 60	350	9.1	240	8.2	8.2	8.2	8.1	8	37.5	
R134a	FLD090LANA	Nd	100-135	50 / 60	370	8.6	290	8	8.3	8.3	8.4	8.4	39

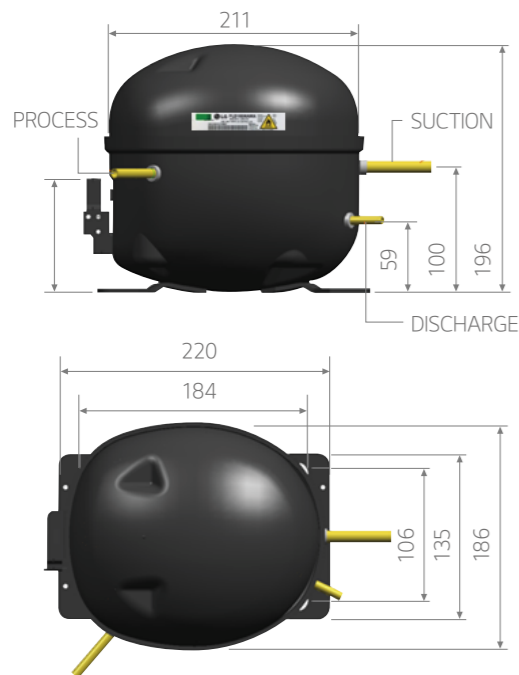
*CCR (Cooling Capacity Ratio) : % Modulation comparing to max. cooling capacity

Note1 : Figures in the table are subject to change without prior notice for performance improvement.

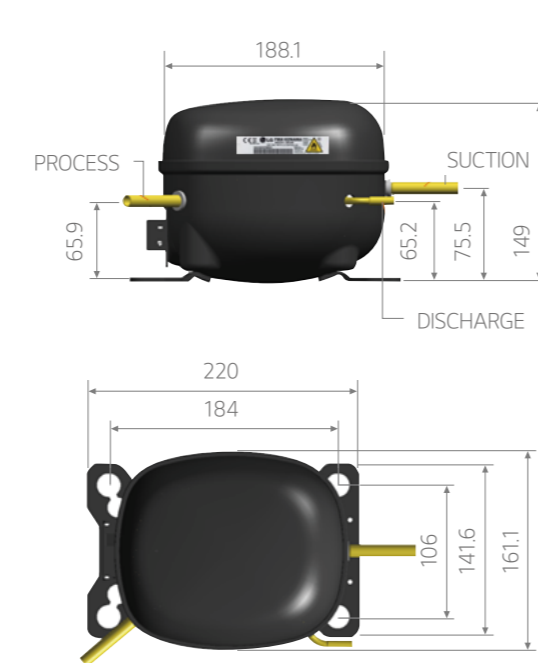
Note2 :

Test condition	Evaporating temperature	Condensing temperature	Ambient temperature
ASHRAE	-23.3°C	54.4°C	32.2°C
AHAM	-23.3°C	38.0°C	32.2°C
Ref condition	-26.0°C	38.0°C	32.2°C

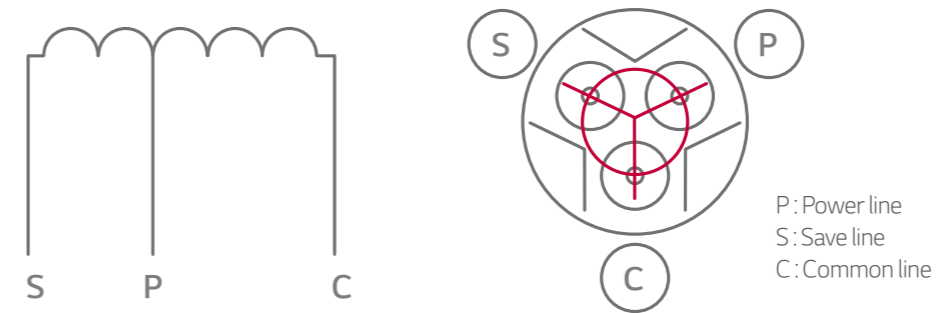
- FLD



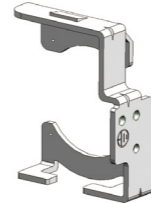

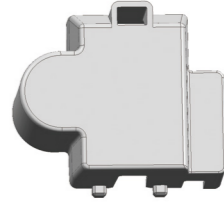
- FMA



Wiring Diagram



Accessory Parts

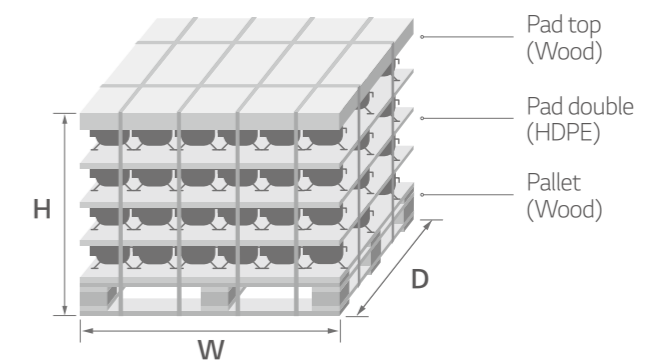
No.	1	2	3
Parts	Protector	L/Shell	Cover PTC
FLC150NAMA	 3740CL0002A	 AHU73451718	 3550JA2110B

Packing & Container Stuffing Quantity

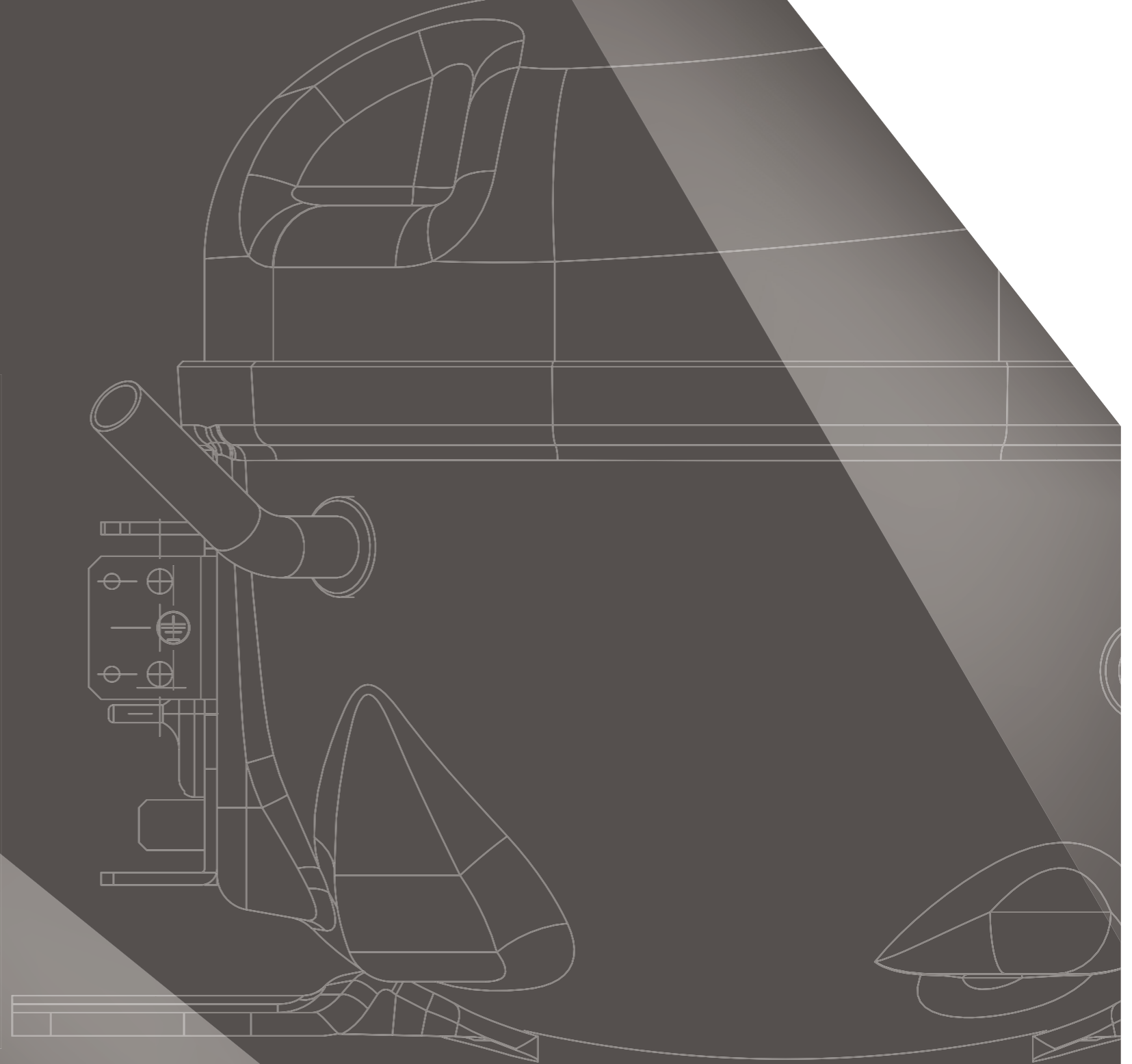
Unit : mm

Dimension		FM	FL
	W	1,100	1,120
	D	800	900
H (Max)		950	950
Q'ty (EA)		90	60
Layout		6 x 3 x 5	5 x 3 x 4

Stacking : 3 pallets max. compressor
Height : Based on wooden type

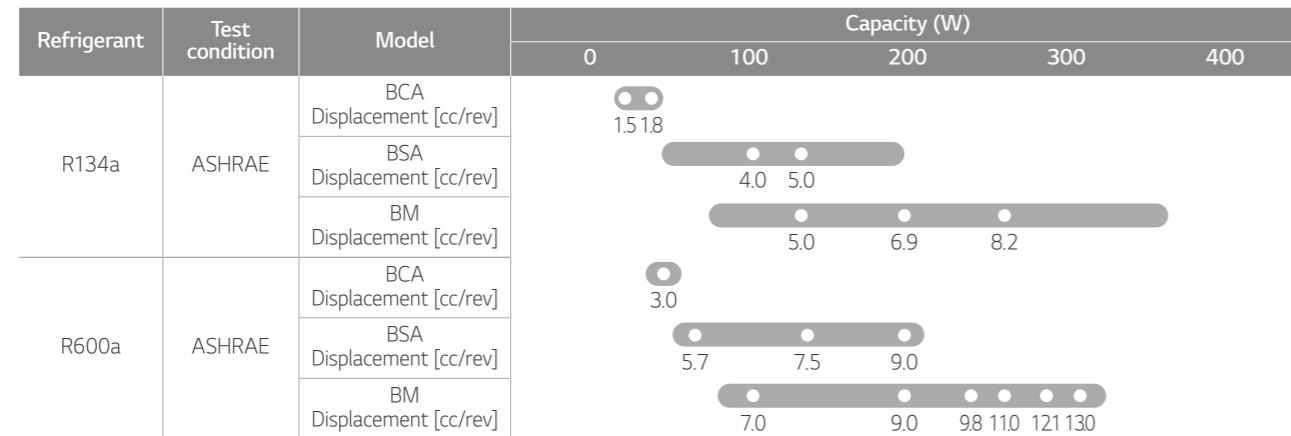


RECIPROCATING COMPRESSOR



Product Range

Variable Speed (Inverter)

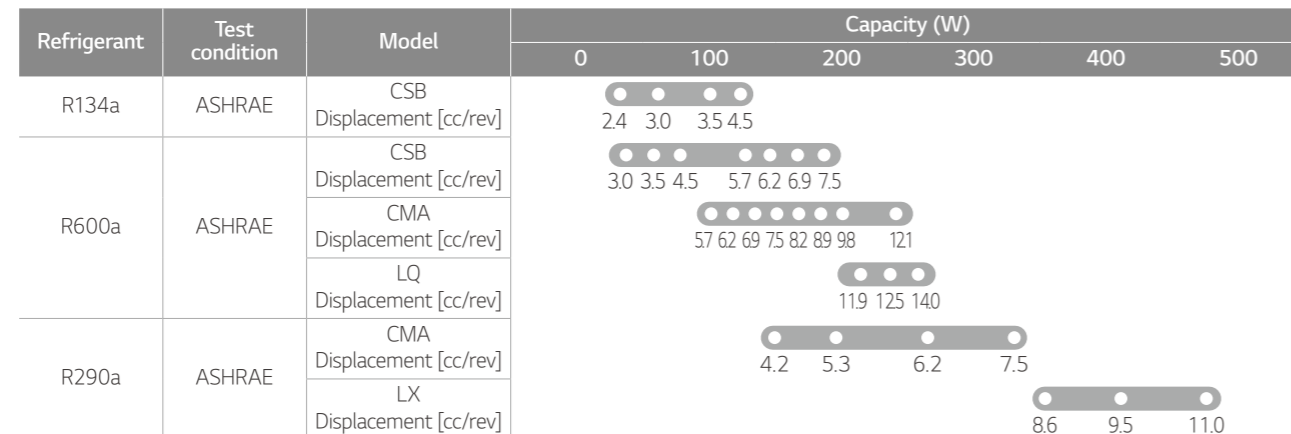


Note :

Test condition	Evaporating temperature	Condensing temperature	Ambient temperature
ASHRAE	-23.3°C	54.4°C	32.2°C

Fixed Speed

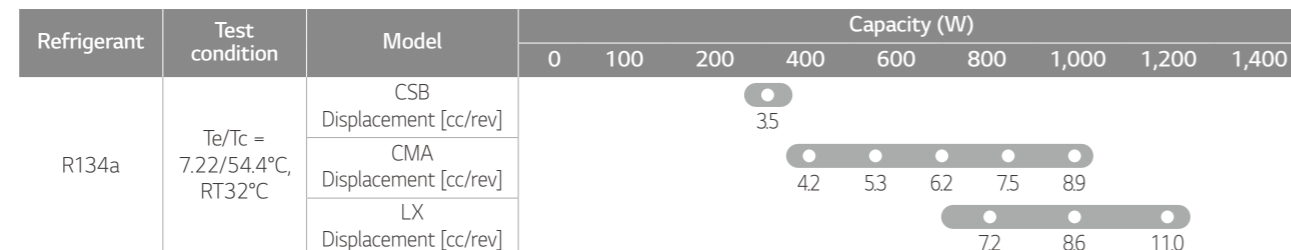
Application : LBP



Note :

Test condition	Evaporating temperature	Condensing temperature	Ambient temperature
ASHRAE	-23.3°C	54.4°C	32.2°C

Application : HBP



Nomenclature

B M K 090 N A M V

Product type

- B : Variable speed
- C : Fixed speed

Size

- C : Compact
- L : Large
- M : Medium
- S : Small

Generation code

(A-Z)

Capacity

Displacement
(ex : 098=9.8cc/rev)

Operating type

Code	Operating type
G	RSIR
M	RSCR
F	CSIR
H	CSR
K	RSIR
N	RSCR
P	CSIR
R	CSR

Rated voltage & frequency

Code	Voltage	Hz	Code	Voltage	Hz
A	100	50/60	Q	110-115	60
B	220	50/60	R	110-127	60
C	115	60	S	200-220	50
D	220	60		220	60
E	220-240	50	T	220-240	50
F	127	60		220	60
J	220	50	U	115-127	60
K	110	60	M	220-240	50/60
L	240	50	N	115-127	50/60
P	110	50			

Improvement order

A/B/C : Cu Wire
H/J : Al Wire

Refrigerants

- L : R134a
- H : R134a HBP
- N : R600a
- P : R290a

Specification

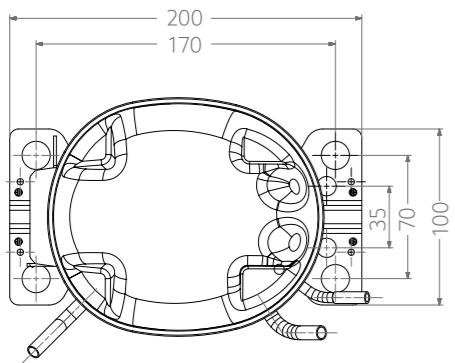
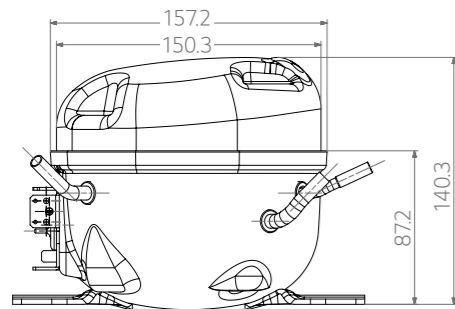
Variable Speed R600a [1 of 4]

Application : LBP

Refrigerant	Series	Model	Motor type	Voltage V	Frequency Hz	Test condition	Speed range RPM	Speed RPM	Performance					Dimension Height mm
									Capacity			EER	COP	
									Kcal/hr	Btu/W-hr	Watts	Btu/W-hr	W/W	
R600a	BSA	BSA057NAMV	BLDC	220~240	50 / 60	ASHRAE -23.3°C / 54.4°C	1,320 ~4,500	4,500	124	492	144	6.01	1.76	140
								3,600	96	381	112	6.15	1.80	
								1,800	53	211	62	6.29	1.84	
								1,500	42	167	49	5.97	1.75	
								1,380	39	154	45	5.79	1.70	
		BSA057NHMV	BLDC	220~240	50 / 60	ASHRAE -23.3°C / 54.4°C	1,320 ~4,500	4,500	124	492	144	5.89	1.72	140
								3,600	96	381	112	6.02	1.76	
								1,800	53	211	62	6.16	1.80	
								1,500	42	167	49	5.85	1.71	
								1,380	39	154	45	5.68	1.66	
		BSA057NJMV	BLDC	220~240	50 / 60	ASHRAE -25°C / 40°C	1,260 ~4,500	4,200	119	471	138	5.97	1.75	140
								3,000	87	344	101	6.15	1.80	
								1,800	52	206	60	6.08	1.78	
								1,260	35	141	41	5.50	1.61	
								1,260	35	141	41	5.50	1.61	
		BSA075NBMV	BLDC	220~240	50 / 60	ASHRAE -23.3°C / 54.4°C	1,320 ~4,500	4,500	164	652	191	5.70	1.67	140
								3,600	139	552	162	5.97	1.75	
								1,800	70	278	81	6.00	1.76	
								1,500	58	231	68	5.83	1.71	
								1,380	52	207	61	5.70	1.67	
		BSA075NHMV	BLDC	220~240	50 / 60	ASHRAE -23.3°C / 54.4°C	1,320 ~4,500	4,500	164	652	191	5.58	1.64	140
								3,600	139	552	162	5.85	1.71	
								1,800	70	278	81	5.88	1.72	
								1,500	58	231	68	5.72	1.67	
1,380	52							207	61	5.58	1.64			

Refrigerant	Series	Model	Motor type	Voltage V	Frequency Hz	Test condition	Speed range RPM	Speed RPM	Performance					Dimension Height mm
									Capacity			EER	COP	
									Kcal/hr	Btu/W-hr	Watts	Btu/W-hr	W/W	
R600a	BSA	BSA075NJMV	BLDC	220~240	50 / 60	ASHRAE -25°C / 40°C	1,260 ~4,500	4,500	165	656	192	5.57	1.63	140
								3,000	117	464	136	6.11	1.79	
								1,800	71	283	83	6.15	1.80	
								1,260	48	191	56	5.84	1.71	
								1,260	48	191	56	5.84	1.71	
		BSA090NAMV	BLDC	220~240	50 / 60	ASHRAE -23.3°C / 54.4°C	1,260 ~3,960	4,500	194	768	225	5.63	1.65	140
								3,000	140	557	163	6.15	1.80	
								1,800	86	341	100	6.49	1.90	
								1,260	61	242	71	6.25	1.83	
								1,260	61	242	71	6.25	1.83	
		BSA090NKMV	BLDC	220~240	50 / 60	ASHRAE -23.3°C / 54.4°C	1,260 ~3,960	4,500	194	768	225	5.36	1.57	140
								3,000	140	557	163	5.80	1.70	
								1,980	95	376	110	6.15	1.80	
								1,800	86	341	100	6.01	1.76	
								1,260	61	242	71	5.39	1.58	
		BSA090NJMV	BLDC	220~240	50 / 60	ASHRAE -25°C / 40°C	1,260 ~4,020	4,500	194	768	225	5.19	1.52	140
								3,000	140	557	163	5.60	1.64	
								1,800	86	341	100	5.80	1.70	
								1,260	61	242	71	5.39	1.58	
								1,260	61	242	71	5.39	1.58	

· BSA



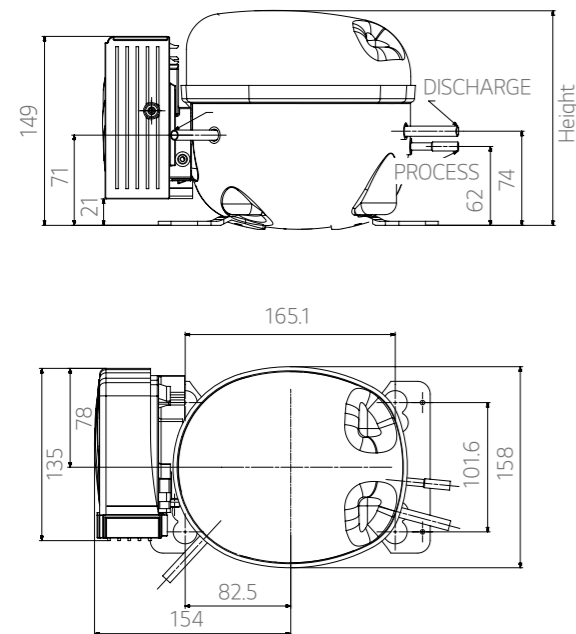
Specification

Variable Speed R600a [2 of 4]

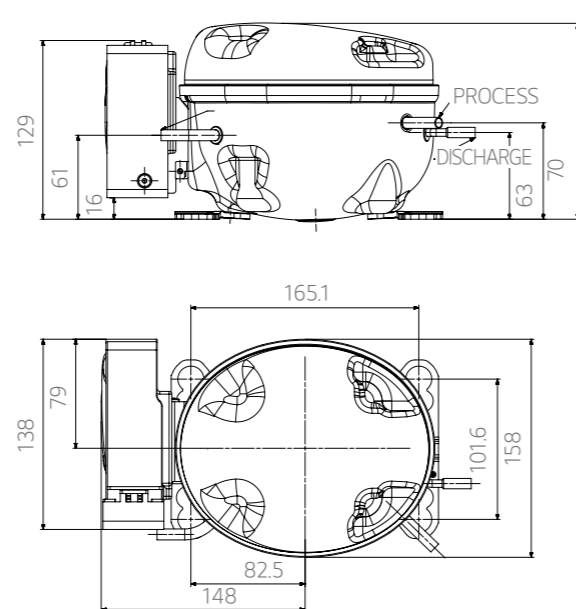
Application : LBP

Refrigerant	Series	Model	Motor type	Voltage V	Frequency Hz	Test condition	Speed range RPM	Speed RPM	Performance					Dimension Height mm
									Capacity			EER	COP	
									Kcal/hr	Btu/W-hr	Watts	Btu/W-hr	W/W	
R600a	BMA	BMA098NAMV	BLDC	220~240	50 / 60	System -26°C / 38°C	1,200 ~4,500	3,900	168	667	195	-	-	172
								2,400	116	461	135	7.82	2.29	
								1,800	89	353	103	7.95	2.33	
								1,500	74	294	86	7.88	2.31	
		BMA121NAMV	BLDC	220~240	50 / 60	System -26°C / 38°C	1,200 ~4,500	4,500	249	990	290	-	-	172
								2,400	149	591	173	7.71	2.26	
	BMG	BMG089NAMV	BLDC	220~240	50 / 60	ASHRA -23.3°C / 54.4°C	1,200 ~4,500	4,500	191	758	222	6.24	1.83	139
								3,000	133	529	155	6.32	1.85	
								1,800	82	324	95	6.55	1.92	
								1,500	65	256	75	6.47	1.89	
								1,020	47	188	55	6.33	1.85	
								1,020	47	188	55	6.33	1.85	
		BMG089NCMV	BLDC	100~115	50 / 60	Te/Tc -23.3°C / 38°C	1,020 ~4,500	4,500	202	802	235	7.00	2.05	139
								1,620	79	314	92	7.85	2.30	
								1,020	49	193	57	7.37	2.16	
								4,500	191	758	222	5.52	1.62	
								3,000	133	529	155	5.96	1.75	
								1,800	82	324	95	5.96	1.75	
		BMG089NHMV	BLDC	220~240	50 / 60	ASHRAE -23.3°C / 54.4°C	1,200 ~4,500	4,500	191	758	222	5.52	1.62	139
								3,000	133	529	155	5.96	1.75	
								1,800	82	324	95	5.96	1.75	
								1,500	65	256	75	5.87	1.72	
								1,020	57	225	66	5.60	1.64	
								1,020	57	225	66	5.60	1.64	
BMG110NAMV	BLDC	220~240	50 / 60	ASHRAE -23.3°C / 54.4°C	1,200 ~4,500	4,500	235	932	262	5.74	1.82	139		
						3,000	175	693	200	6.42	1.89			
						1,800	105	417	125	6.49	1.90			
						1,500	84	335	102	6.59	1.94			
						4,500	235	932	262	5.12	1.50			
						3,000	175	693	200	5.63	1.65			
BMG110NHMV	BLDC	220~240	50 / 60	ASHRAE -23.3°C / 54.4°C	1,200 ~4,500	4,500	235	932	262	5.12	1.50	139		
						3,000	175	693	200	5.63	1.65			
						1,800	105	417	125	5.97	1.75			
						1,500	85	338	99	5.95	1.74			
						4,500	235	932	262	5.12	1.50			
						3,000	175	693	200	5.63	1.65			

· BMA



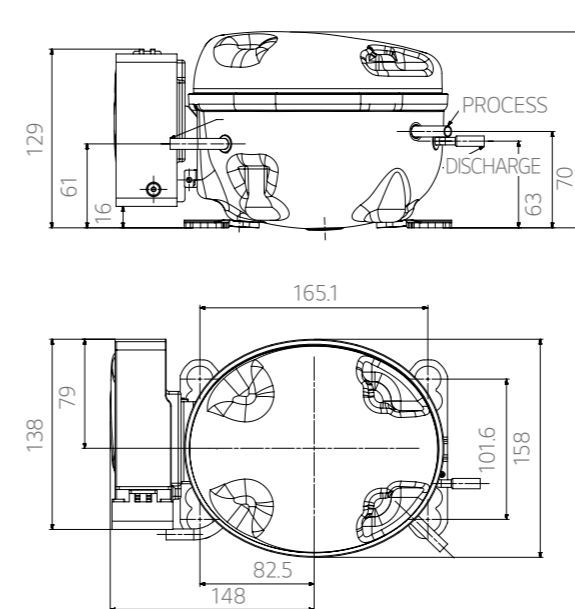
· BMG



Application : LBP

Refrigerant	Series	Model	Motor type	Voltage V	Frequency Hz	Test condition	Speed range RPM	Speed RPM	Performance					Dimension Height mm
									Capacity			EER	COP	
									Kcal/hr	Btu/W-hr	Watts	Btu/W-hr	W/W	
R600a	BMH	BMH089NAMV	BLDC	100~115	50 / 60	ASHRA -23.3°C / 54.4°C	1,200 ~4,500	4,500	194	772	226	6.08	1.78	139
								3,000	142	565	166	6.69	1.96	
								1,800	85	336	98	6.76	1.98	
								1,020	46	182	53	6.15	1.80	
								4,500	239	949	278	6.08	1.78	
								3,000	177	704	206	6.66	1.95	
		BMH089NBVM	BLDC	220~240	50 / 60	ASHRA -23.3°C / 54.4°C	1,200 ~4,500	4,500	239	949	278	6.08	1.78	139
								3,000	177	704	206	6.66	1.95	
								1,800	108	427	125	6.76	1.98	
								1,020	62	244	72	6.15	1.80	
								4,500	239	949	278	6.08	1.78	
								3,000	177	704	206	6.66	1.95	
	BMH089NCMV	BLDC	220~240	50 / 60	ASHRA -23.3°C / 54.4°C	1,020 ~4,500	4,500	194	768	225	6.26	1.83	139	
							3,000	141	558	163	6.66	1.95		
							1,800	85	338	99	6.96	2.04		
							1,020	47	188	55	6.33	1.85		
							4,500	194	772	226	5.87	1.72		
							3,000	143	567	166	6.32	1.85		
	BMH089NHMV	BLDC	220~240	50 / 60	ASHRA -23.3°C / 54.4°C	1,020 ~4,500	4,500	194	772	226	5.87	1.72	139	
							3,000	143	567	166	6.32	1.85		
							1,800	85	336	98	6.38	1.87		
							1,020	46	182	53	5.67	1.66		
							4,500	239	949	278	5.95	1.74		
							3,000	177	704	206	6.41	1.88		
BMH110NAMV	BLDC	100~115	50 / 60	ASHRA -23.3°C / 54.4°C	1,020 ~4,500	4,500	239	949	278	5.94	1.74	139		
						3,000	177	704	206	6.42	1.88			
						1,800	108	427	125	6.74	1.97			
						1,020	62	244	72	6.46	1.89			
						4,500	239	949	278	5.94	1.74			
						3,000	177	704	206	6.42	1.88			
BMH110NBVM	BLDC	220~240	50 / 60	ASHRA -23.3°C / 54.4°C	1,020 ~4,500	4,500	239	949	278	5.94	1.74	139		
						3,000	177	704	206	6.42	1.88			
						1,800	108	427	125	6.73	1.97			
						1,020	62	244	72	6.18	1.81			
						4,500	239	949	278	5.94	1.74			
						3,000	177	704	206	6.42	1.88			

· BMH



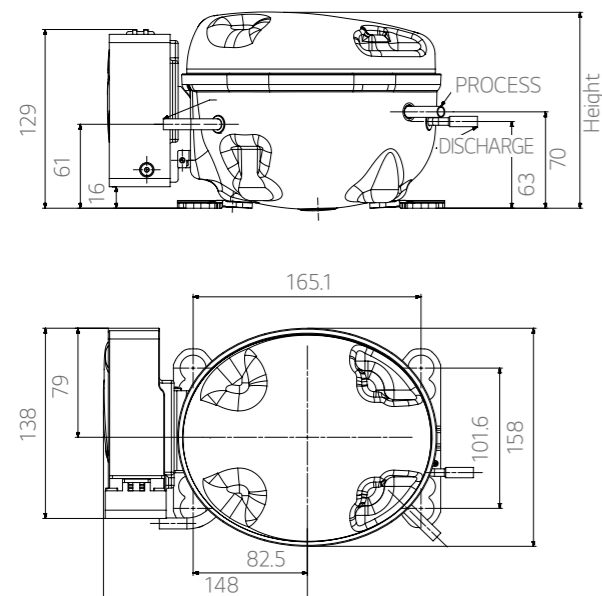
Specification

Variable Speed R600a [3 of 4]

Application : LBP

Refrigerant	Series	Model	Motor type	Voltage V	Frequency Hz	Test condition	Speed range RPM	Speed RPM	Performance					Dimension Height mm
									Capacity			EER	COP	
									Kcal/hr	Btu/W-hr	Watts	Btu/W-hr	W/W	
R600a	BMH	BMH110NCMV	BLDC	220~240	50 / 60	ASHRAE -23.3°C / 54.4°C	1,020 ~4,500	4,500	236	935	274	5.63	1.65	139
								3,000	172	683	200	6.28	1.84	
								1,800	109	434	127	6.96	2.04	
								1,020	60	239	70	6.32	1.85	
								4,500	239	949	278	5.46	1.60	
								3,000	177	704	206	5.88	1.72	
		BMH110NHMV	BLDC	220~240	50 / 60	ASHRAE -23.3°C / 54.4°C	1,020 ~4,500	4,500	108	427	125	6.18	1.81	139
								1,800	108	427	125	6.18	1.81	
								1,020	62	244	72	5.92	1.73	
								4,500	271	1,075	315	5.49	1.61	
								3,600	241	958	281	5.89	1.72	
								1,800	131	519	152	6.69	1.96	
	BMH130NAMV	BLDC	220~240	50 / 60	ASHRAE -23.3°C / 54.4°C	1,020 ~4,500	4,500	271	1,075	315	5.49	1.61	139	
							3,600	241	958	281	5.89	1.72		
							1,800	131	519	152	6.69	1.96		
							1,020	69	274	80	6.59	1.93		
							4,500	273	1,082	317	5.46	1.60		
							3,000	206	819	240	6.04	1.77		
	BMH130NBMV	BLDC	220~240	50 / 60	ASHRAE -23.3°C / 54.4°C	1,020 ~4,500	4,500	128	507	149	6.25	1.83	139	
							1,800	128	507	149	6.25	1.83		
							1,020	71	280	82	5.77	1.69		
							4,500	153	608	178	6.25	1.79		
							3,000	108	427	125	6.92	1.52		
							1,800	67	266	78	7.03	1.59		
BMK	BMK070NAMV	BLDC	220~240	50 / 60	ASHRAE -23.3°C / 54.4°C	900 ~4,500	4,500	153	608	178	6.25	1.79	139	
							3,000	108	427	125	6.92	1.52		
							1,800	67	266	78	7.03	1.59		
							1,020	38	150	44	6.58	1.71		
							900	34	133	39	6.46	1.94		
							4,500	154	611	179	5.67	1.66		
	BMK070NHMV	BLDC	220~240	50 / 60	ASHRAE -23.3°C / 54.4°C	1,020 ~4,500	4,500	125	495	145	6.35	1.86	139	
							3,600	125	495	145	6.35	1.86		
							1,800	66	263	77	6.62	1.94		
							1,020	37	147	43	6.28	1.84		
							900	33	130	38	6.15	1.80		
							4,500	154	611	179	5.67	1.66		

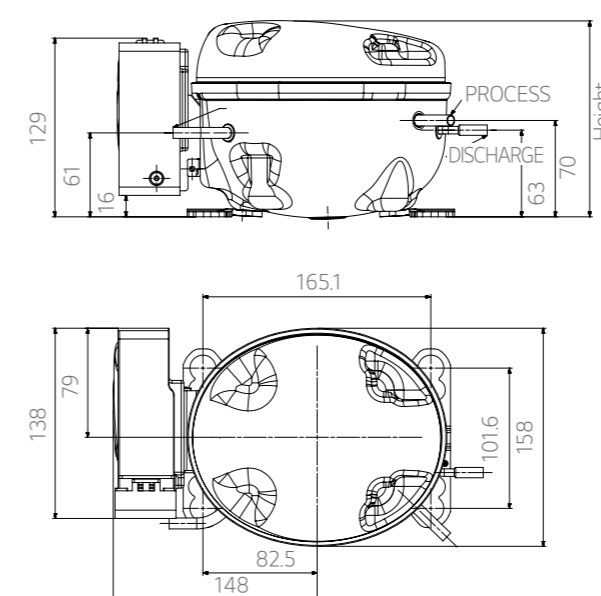
· BMH



Application : LBP

Refrigerant	Series	Model	Motor type	Voltage V	Frequency Hz	Test condition	Speed range RPM	Speed RPM	Performance					Dimension Height mm
									Capacity			EER	COP	
									Kcal/hr	Btu/W-hr	Watts	Btu/W-hr	W/W	
R600a	BMK	BMK070NJMV	BLDC	220~240	50 / 60	ASHRA -23.3°C / 54.4°C	1,020 ~4,500	4,500	154	611	179	5.43	1.59	139
								3,600	125	495	145	6.16	1.80	
								1,800	66	263	77	6.41	1.88	
								1,020	37	147	43	6.09	1.78	
								900	33	130	38	5.97	1.75	
								4,500	176	700	205	5.91	1.73	
		BMK080NAMV	BLDC	220~240	50 / 60	ASHRA -23.3°C / 54.4°C	1,020 ~4,500	4,500	146	580	170	6.76	1.98	139
								3,600	146	580	170	6.76	1.98	
								1,800	77	307	90	7.07	2.07	
								1,020	44	174	51	6.76	1.98	
								900	38	150	44	6.62	1.94	
								4,500	198	787	231	6.25	1.83	
	BMK090NAMV	BLDC	220~240	50 / 60	ASHRA -23.3°C / 54.4°C	900 ~4,500	4,500	144	574	168	6.92	1.98	139	
							3,000	89	352	103	7.03	2.07		
							1,800	49	193	57	6.58	1.98		
							1,020	49	193	57	6.58	1.98		
							900	43	170	50	6.46	1.94		
							4,500	198	787	231	5.67	1.66		
	BMK090NHMV	BLDC	220~240	50 / 60	ASHRA -23.3°C / 54.4°C	1,020 ~4,500	4,500	164	652	191	6.49	1.90	139	
							3,600	164	652	191	6.49	1.90		
							1,800	87	346	101	6.78	1.99		
							1,020	49	193	57	6.49	1.90		
							900	43	170	50	6.36	1.86		
							4,500	198	787	231	5.43	1.59		
BMK090NJMV	BLDC	220~240	50 / 60	ASHRA -23.3°C / 54.4°C	1,020 ~4,500	4,500	164	652	191	6.22	1.82	139		
						3,600	164	652	191	6.22	1.82			
						1,800	87	346	101	6.50	1.90			
						1,020	49	193	57	6.22	1.82			
						900	43	170	50	6.09	1.78			
						4,500	198	787	231	5.43	1.59			

· BMK



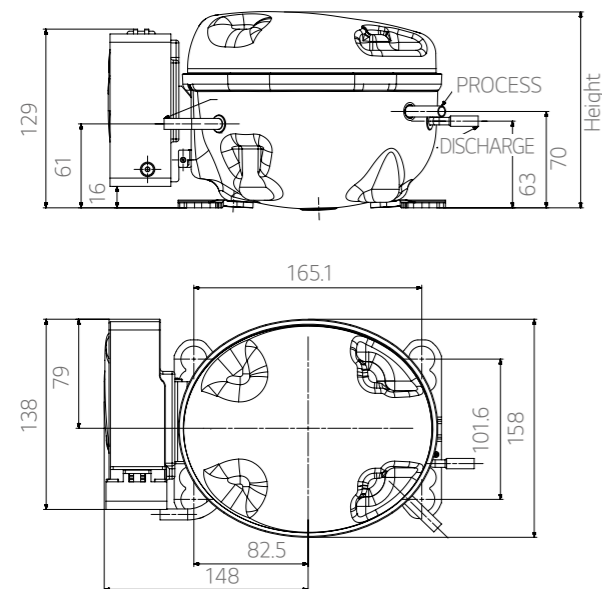
Specification

Variable Speed R600a [4 of 4]

Application : LBP

Refrigerant	Series	Model	Motor type	Voltage V	Frequency Hz	Test condition	Speed range	Speed RPM	Performance					Dimension Height mm
									Capacity			EER	COP	
									Kcal/hr	Btu/W-hr	Watts	Btu/W-hr	W/W	
R600a	BMK	BMK110NAMV	BLDC	220~240	50 / 60	ASHRAE -23.3°C / 54.4°C	900 ~4,500	4,500	241	956	280	6.25	1.83	139
								3,600	181	717	210	6.92	1.98	
								1,800	112	444	130	7.03	2.07	
								1,020	63	249	73	6.58	1.98	
								900	56	222	65	6.46	1.94	
		BMK110NHMV	BLDC	220~240	50 / 60		1,020 ~4,500	4,500	241	956	280	5.67	1.66	139
								3,600	202	802	235	6.42	1.88	
								1,800	110	437	128	6.75	1.98	
								1,020	58	232	68	6.46	1.89	
								900	51	201	59	6.33	1.85	
		BMK110NJMV	BLDC	220~240	50 / 60		1,020 ~4,500	4,500	241	956	280	5.43	1.59	139
								3,600	202	802	235	6.16	1.80	
								1,800	110	437	128	6.47	1.90	
								1,020	58	232	68	6.19	1.81	
								900	51	201	59	6.06	1.78	
		BMK130NAMV	BLDC	220~240	50 / 60		1,020 ~4,500	4,500	292	1,161	340	5.94	1.74	139
								3,600	245	973	285	6.73	1.97	
								1,800	134	530	155	7.10	2.08	
								1,020	74	294	86	6.73	1.97	
								900	65	256	75	6.65	1.95	
BMK140NAMV	BLDC	220~240	50 / 60	1,020 ~4,500	4,500	317	1,260	369	5.83	1.71	139			
					3,600	267	1,058	310	6.60	1.93				
					1,800	145	576	169	6.96	2.04				
					1,020	82	325	95	6.66	1.95				
					900	71	283	83	6.53	1.91				

· BMK



Specification

Variable Speed R134a

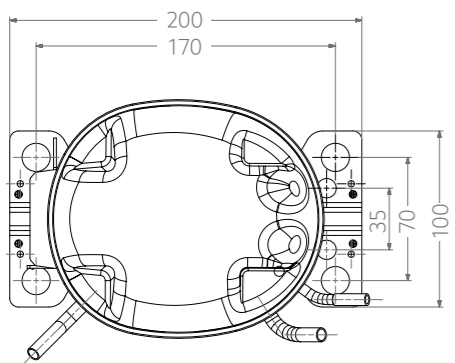
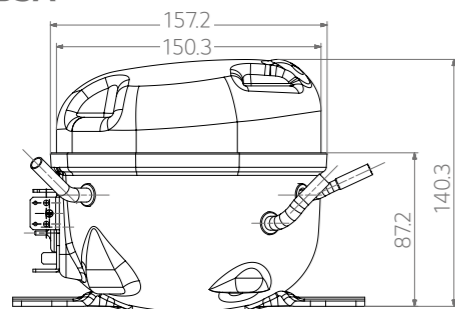
Application : LBP

Refrigerant	Series	Model	Motor	Voltage	Frequency	Speed range	Speed	Performance									Dimension	
								ASHRAE -23.3°C / 54.4°C						AHAM -23.3°C / 40.6°C				
								Capacity			EER	COP	Capacity			EER		COP
								Kcal /hr	Btu /W/hr	Watts	Btu /W/hr	W/W	Btu /W/hr	Watts	Btu /W/hr	W/W		
V	Hz	RPM	RPM	mm														
R134a	BSA	BSA040LHMV	BLDC	220 ~240	50 / 60	1,320 -4,500	4,500	138	546	160	4.78	1.40	546	160	4.78	1.40	140	
							3,600	97	385	113	5.03	1.47	385	113	5.03	1.47		
							1,800	58	232	68	4.82	1.41	232	68	4.82	1.41		
		1,500	48	192	56	4.65	1.36	192	56	4.65	1.36							
		4,500	172	683	200	4.78	1.40	683	200	4.78	1.40	140						
		3,000	121	481	141	5.03	1.47	481	141	5.03	1.47							
	1,800	73	290	85	4.82	1.41	290	85	4.82	1.41								
	BMA	BMA050LAMV	BLDC	220 ~240	50 / 60	1,200 -4,500	4,500	-	760	223	-	-	-	-	-	-	172	
							2,400	-	507	148	6	2	-	-	-	-		
							1,800	-	323	95	6	2	-	-	-	-		
		BMA069LAMV	BLDC	220 ~240	50 / 60	1,200 -4,500	4,500	287	1,049	307	-	-	1,140	334	-	-	172	
							3,600	234	699	205	6	1.76	760	223	7.50	2.20		
							1,800	160	446	131	6	1.86	485	142	7.93	2.32		
			1,500	-	364	107	6.34	1.86	396	116	7.94	2.33						
			4,500	271	1,076	315	-	-	-	-	-	-	172					
			2,400	160	635	186	7.73	2.26	-	-	7.73	2.26						
		1,800	125	494	145	7.93	2.32	-	-	7.93	2.32							
		BMA069LBMV	BLDC	220 ~240	50 / 60	1,200 -4,500	4,500	125	494	145	7.93	2.32	-	-	7.93	2.32	172	
							1,500	101	401	117	7.82	2.29	-	-	7.82	2.29		

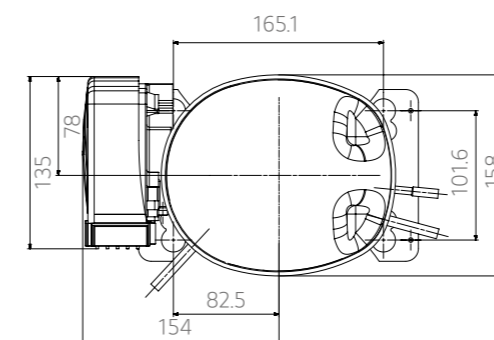
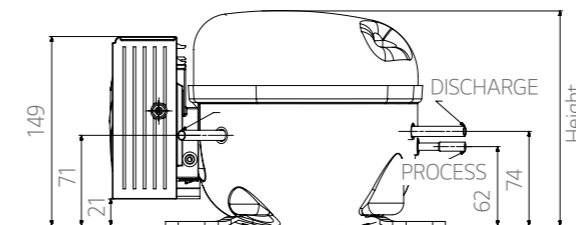
Application : LBP

Refrigerant	Series	Model	Motor	Voltage	Frequency	Speed range	Speed	Performance									Dimension	
								ASHRAE -23.3°C / 54.4°C						AHAM -23.3°C / 40.6°C				
								Capacity			EER	COP	Capacity			EER		COP
								Kcal /hr	Btu /W/hr	Watts	Btu /W/hr	W/W	Btu /W/hr	Watts	Btu /W/hr	W/W		
V	Hz	RPM	RPM	mm														
R134a	BMA	BMA069LCMV	BLDC	220 ~240	50 / 60	1,200 -4,500	4,500	-	-	-	-	-	-	-	-	172		
							3,000	180	714	209	6.52	1.91	-	-	6.52		1.91	
							1,800	104	413	121	6.35	1.86	-	-	6.35		1.86	
		1,500	85	338	99	6.18	1.81	-	-	6.18	1.81							
		4,500	287	1,139	334	-	-	-	-	-	-	172						
		3,600	234	929	272	7.30	2.14	-	-	7.30	2.14							
	2,400	160	635	186	7.50	2.20	-	-	7.50	2.20								
	BMA	BMA069HMMV	BLDC	220 ~240	50 / 60	1,200 -4,500	4,500	271	1,076	315	-	-	-	-	-	172		
							2,400	160	635	186	7.73	2.26	-	-	7.73		2.26	
							1,800	125	494	145	7.93	2.32	-	-	7.93		2.32	
		BMA082LAMV	BLDC	220 ~240	50 / 60	1,200 -4,500	4,500	342	1,358	398	-	-	-	-	-	180		
							2,400	196	778	228	7.90	2.31	-	-	7.90		2.31	
							1,800	148	588	172	7.93	2.32	-	-	7.93		2.32	
			1,500	124	492	144	7.98	2.34	-	-	7.98	2.34						
			4,500	342	1,358	398	-	-	-	-	-	-	180					
			2,400	196	778	228	7.95	2.33	-	-	7.95	2.33						
		1,500	124	492	144	8.15	2.39	-	-	8.15	2.39							
		BMA082LBMV	BLDC	220 ~240	50 / 60	1,200 -4,500	4,500	124	492	144	8.15	2.39	-	-	8.15	2.39	180	
							1,200	99	393	115	7.95	2.33	-	-	7.95	2.33		

· BSA



· BMA



Specification

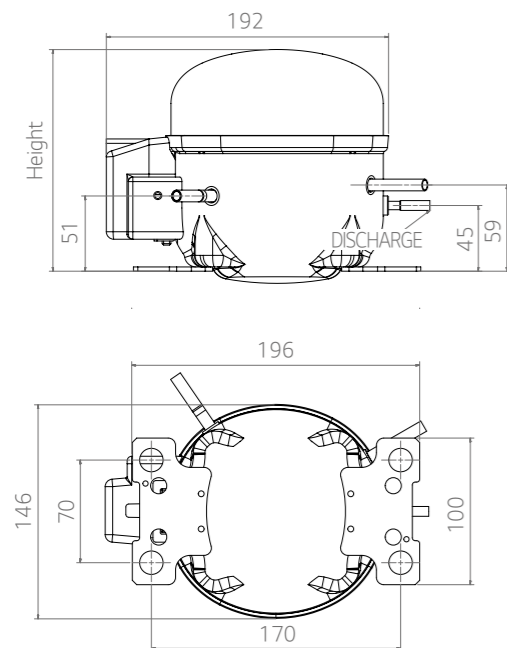
Fixed Speed R600a [1 of 2]

Application : LBP

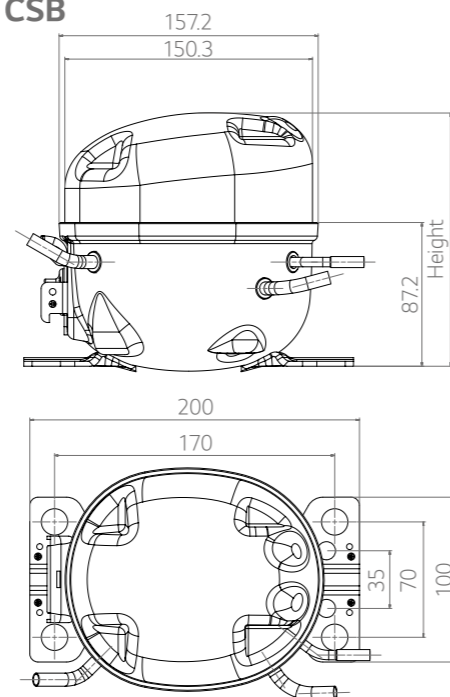
Refrigerant	Series	Model	Motor type	Voltage	Frequency	Test condition	Performance					Dimension
							Capacity			EER	COP	Height
							Kcal/hr	Btu/W/hr	Watts	Btu/W/hr	W/W	
R600a	TS	TS22NHDG	RSIR	220	60	Te/Tc = -18.7 °C / 54.4 °C	35	141	41	2.36	0.69	137
		TS36NATG	RSIR	220-240	50	ASHRAE -23.3 °C / 54.4 °C	43	171	50	2.56	0.75	137
				220	60		52	205	60	3.06	0.90	
				220	60		52	205	60	2.81	0.82	
	TS36NHDG	RSIR	220	60	52		205	60	2.81	0.82	151	
	CSB	CSB030NHBG	RSIR	220	50	ASHRAE -23.3 °C / 54.4 °C	37	147	43	2.29	0.67	163
				60	46		181	53	3.41	1.00		
		CSB035NHAG	RSIR	100	50		45	178	52	2.59	0.76	163
					60		54	215	63	3.53	1.03	
		CSB035NKEG	RSIR	220-240	50		47	188	55	4.10	1.20	163
					60		64	253	74	4.36	1.28	
		CSB045NHAG	RSIR	100	50		64	253	74	4.36	1.28	163
					60		74	294	86	4.93	1.45	
		CSB045NHCG	RSIR	115	60		74	294	86	4.81	1.41	163
					50		64	253	74	4.59	1.35	
		CSB045NKEG	RSIR	220-240	50		64	253	74	4.95	1.45	163
					60		64	253	74	4.95	1.45	
		CSB045NKEM	RSCR	220-240	50		89	353	104	5.08	1.49	163
					60		102	406	119	5.40	1.58	
		CSB057NHAG	RSIR	100	50		103	410	120	5.12	1.50	163
					60		103	410	120	5.43	1.59	
		CSB057NHCG	RSIR	115	60		103	410	120	5.43	1.59	163
					50		86	341	100	4.43	1.30	
		CSB057NHDM	RSCR	220	60		99	393	115	4.73	1.39	163
50					114		451	132	5.18	1.52		
CSB057NJEG	RSIR	220-240	50	110	437	128	4.86	1.42	163			
			60	126	502	147	5.23	1.53				
CSB062NHAG	RSIR	100	50	110	437	128	5.22	1.53	163			
			60	126	502	147	5.61	1.64				
CSB069NHAG	RSIR	100	50	126	502	147	5.61	1.64	163			
			60	110	437	128	5.22	1.53				
CSB069NHAM	RSCR	100	50	126	502	147	5.61	1.64	163			
			60	108	430	126	4.78	1.40				
CSB069NJEG	RSIR	220-240	50	108	430	126	4.78	1.40	163			
			60	120	475	139	4.65	1.36				
CSB075NJEG	RSIR	220-240	50	120	475	139	4.65	1.36	163			
			60	120	475	139	4.65	1.36				

Refrigerant	Series	Model	Motor type	Voltage	Frequency	Test condition	Performance					Dimension
							Capacity			EER	COP	Height
							Kcal/hr	Btu/W/hr	Watts	Btu/W/hr	W/W	
R600a	CMA	CMA057NHEM	RSCR	220-240	50	ASHRAE -23.3 °C / 54.4 °C	84	335	98	6.14	1.80	171
		CMA057NHEM	RSCR	220-240	50		84	335	98	6.32	1.85	171
		CMA062NAEM	RSCR	220-240	50		96	382	112	6.55	1.92	171
							96	382	112	6.73	1.97	
		CMA062NHEM	RSCR	220-240	50		97	386	113	6.31	1.85	171
							97	386	113	6.49	1.90	
		CMA069NJEM	RSCR	220-240	50		103	409	120	5.54	1.62	171
							103	410	120	6.30	1.85	
		CMA069NHEM	RSCR	220-240	50		103	410	120	6.49	1.90	171
							103	410	120	6.59	1.93	
		CMA075NAEM	RSCR	220-240	50		120	474	139	6.59	1.93	171
							120	474	139	6.73	1.97	
		CMA075NHEM	RSCR	220-240	50		120	474	139	6.33	1.85	171
							120	474	139	6.45	1.89	
		CMA075NHEM	RSCR	220-240	50		120	474	139	5.65	1.65	171
							120	475	139	5.94	1.74	
		CMA075NHAM	RSCR	110	60		138	546	160	5.94	1.74	171
							129	514	150	6.59	1.93	
		CMA082NAEM	RSCR	220-240	50		127	504	148	6.29	1.84	171
							127	505	148	5.63	1.65	
		CMA082NJEG	RSIR	220-240	50		127	505	148	5.63	1.65	171
							139	553	162	6.73	1.97	
		CMA089NAEM	RSCR	220-240	50		139	553	162	6.73	1.97	171
							141	560	164	6.37	1.87	
CMA089NBEM	RSCR	220-240	50	141	560	164	6.37	1.87	171			
				141	560	164	6.37	1.87				

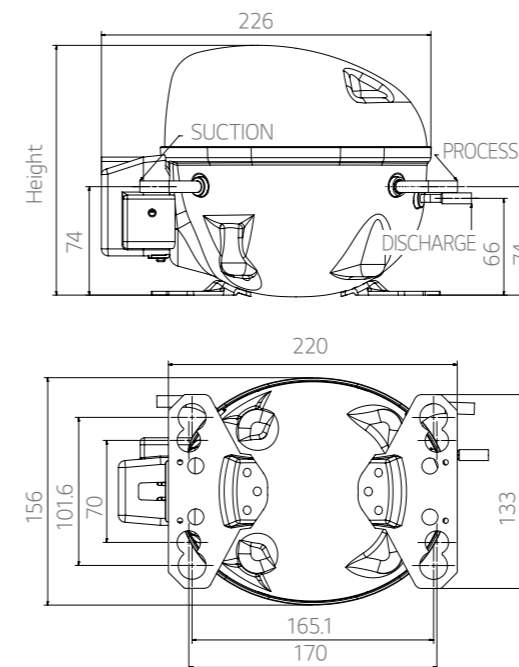
· TS



· CSB



· CMA



Specification

Fixed Speed R600a [2 of 2]

Application : LBP

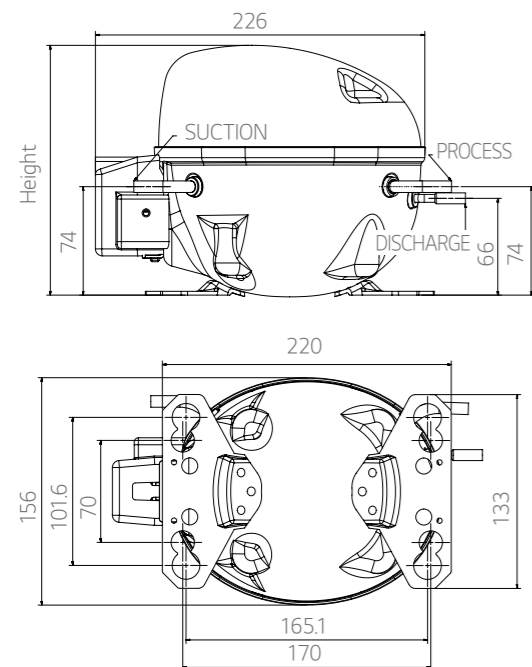
Refrigerant	Series	Model	Motor type	Voltage	Frequency	Test condition	Performance					Dimension
							Capacity			EER	COP	Height
							Kcal/hr	Btu/W-hr	Watts	Btu/W-hr	W/W	
R600a	CMA	CMA089NHDM	RSCR	220	60	ASHRAE -23.3 °C / 54.4°C	166	659	193	6.08	1.78	171
		CMA089NHDM	RSCR	220	60		166	659	193	6.18	1.81	171
		CMA089NHEM	RSCR	220-240	50		138	546	160	6.10	1.79	171
		CMA089NHEM	RSCR	220-240	50		138	546	160	6.21	1.82	171
		CMA089NJEG	RSIR	220-240	50		138	546	160	5.60	1.64	171
		CMA098NHEM	RSCR	220-240	50		156	618	181	6.32	1.85	171
		CMA098NJEM	RSCR	220-240	50		152	604	177	5.60	1.64	171
		CMA098NJEG	RSIR	220-240	50		155	615	180	5.46	1.60	171
		CMA098NJEM	RSCR	220-240	50		156	618	181	6.05	1.77	171
		CMA110NJM	RSCR	220	50		165	655	192	5.12	1.50	171
	CMA110NAEM	RSCR	220-240	50	165	655	192	6.31	1.85	171		
	CMA121NAEM	RSCR	220-240	50	194	768	225	6.15	1.80	171		
	LQ	LQ119NAEM	RSCR	220-240	50	ASHRAE -23.3 °C / 54.4°C	195	774	227	6.27	1.84	203
		LQ140NAEM	RSCR	220-240	50		228	905	265	6.28	1.84	203

Fixed Speed R134a [1 of 3]

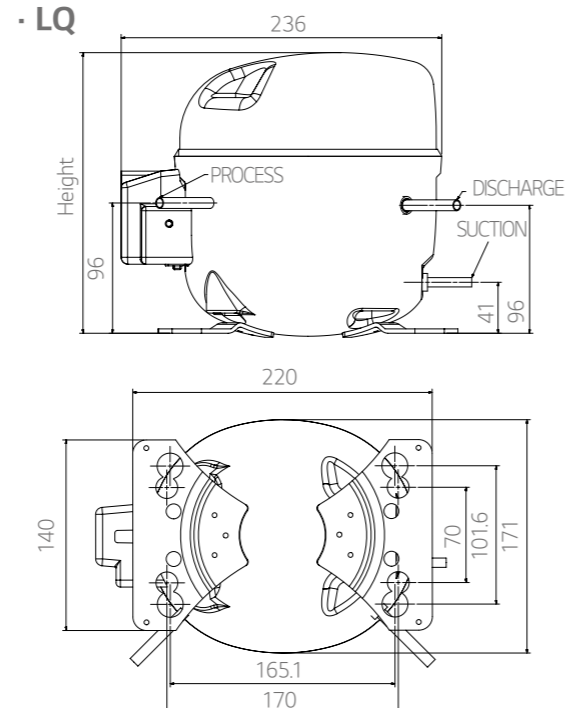
Application : LBP

Refrigerant	Series	Model	Motor type	Voltage	Frequency	Test condition	Performance					Dimension
							Capacity			EER	COP	Height
							Kcal/hr	Btu/W-hr	Watts	Btu/W-hr	W/W	
R134a	TS	TS22LHAG	RSIR	110	50	ASHRAE -23.3 °C / 54.4°C	36	143	42	1.83	0.54	137
					60		45	177	52	2.36	0.69	137
		TS22LHEG	RSIR	220-240	50		36	141	41	2.20	0.64	151
					60		45	177	52	2.29	0.67	137
		TS22LHCG	RSIR	115	60		45	177	52	2.29	0.67	137
					50		48	191	56	2.61	0.76	137
		TS24LAAG	RSIR	100	50		48	191	56	2.61	0.76	137
					60		48	191	56	2.44	0.71	137
		TS24LACG	RSIR	115	60		46	183	53	2.50	0.73	137
					50		48	191	56	2.38	0.70	137
		TS24LADG	RSIR	220	60		38	151	44	2.10	0.62	137
					50		48	191	56	2.65	0.78	137
		TS24LAFG	RSIR	127	60		48	191	56	2.45	0.72	137
					50		39	155	45	2.21	0.65	151
		TS24LATG	RSIR	220-240	50		48	191	56	2.61	0.76	151
					60		50	197	58	2.65	0.78	151
		TS24LATG	RSIR	220	60		48	191	56	2.45	0.72	137
					50		39	155	45	2.21	0.65	151
		TS24LBDM	RSIR	220	60		48	191	56	2.61	0.76	151
					50		50	197	58	2.65	0.78	151
TS24LHAG	RSIR	110	50	38	151	44	1.99	0.58	151			
			60	40	159	47	2.10	0.62	151			
TS24LHDG	RSIR	220	60	50	199	58	2.65	0.78	151			
			50	48	191	56	2.44	0.71	151			
TS24LHJG	RSIR	220	50	38	151	44	1.99	0.58	151			
			60	40	159	47	2.10	0.62	151			
TS24LHTG	RSIR	220-240	50	50	199	58	2.65	0.78	151			
			60	48	191	56	2.44	0.71	151			
TS24LHTG	RSIR	220	60	48	191	56	2.44	0.71	151			
			50	38	151	44	1.99	0.58	151			
TS24LHUG	RSIR	115-127	60	48	191	56	2.44	0.71	151			
			50	38	151	44	1.99	0.58	151			
TS24LJJG	RSIR	220	50	38	151	44	1.99	0.58	151			
			60	48	191	56	2.44	0.71	151			

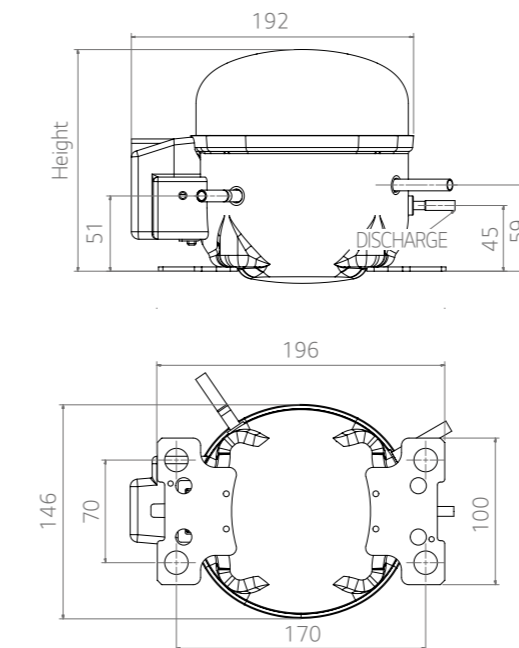
· CMA



· LQ



· TS



Specification

Fixed Speed R134a [2 of 3]

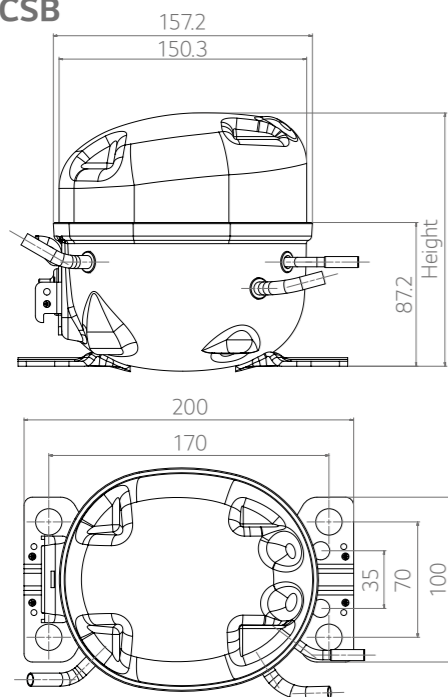
Application : LBP

Refrigerant	Series	Model	Motor type	Voltage	Frequency	Test condition	Performance					Dimension
							Capacity			EER	COP	Height
							Kcal/hr	Btu/W-hr	Watts	Btu/W-hr	W/W	
R134a	CSB	CSB024LAAG	RSIR	100	50	ASHRAE -23.3 °C / 54.4°C	45	179	52	2.88	0.84	153
					60		54	214	63	3.25	0.95	153
		CSB024LHMG	RSIR	220-240	50		45	179	52	3.10	0.91	153
					60		54	214	63	3.60	1.05	
		CSB024LHTG	RSIR	220-240	50		49	195	57	3.35	0.98	153
					60		58	230	67	3.65	1.07	
		CS024LHUG	RSIR	100-127	60		54	214	63	3.00	0.88	163
		CSB030LHMG	RSIR	220-240	50		65	258	76	3.25	0.95	163
					60		78	311	91	3.79	1.11	
		CSB030LHQG	RSIR	110-115	60		65	258	76	3.25	0.95	163
		CSB030LHMM	RSCR	220-240	50		65	258	76	3.29	0.96	163
					60		78	311	91	3.86	1.13	
		CSB035LHMG	RSIR	220-240	50		77	306	90	3.40	0.99	163
					60		94	373	109	4.15	1.21	
		CSB035LHMM	RSCR	220-240	50		77	306	90	3.44	1.01	163
					60		94	373	109	4.22	1.24	
		CSB035LJCM	RSCR	115	60		91	362	106	4.10	1.20	163
		CSB045LAEG	RSIR	220-240	50		100	397	116	3.18	0.93	153

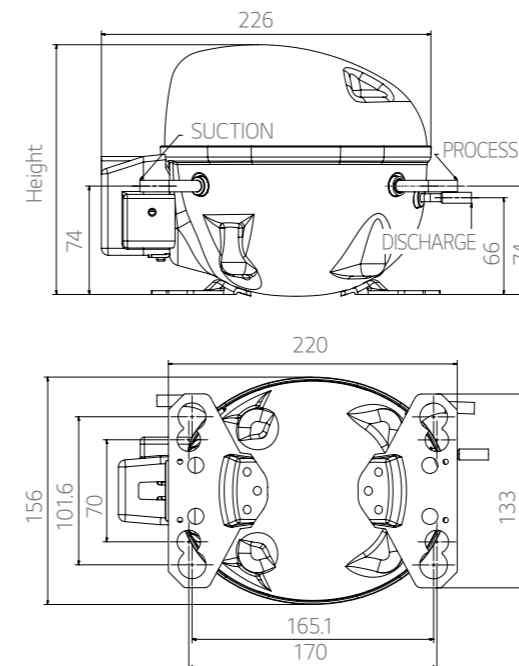
Application : LBP

Refrigerant	Series	Model	Motor type	Voltage	Frequency	Test condition	Performance					Dimension
							Capacity			EER	COP	Height
							Kcal/hr	Btu/W-hr	Watts	Btu/W-hr	W/W	
R134a	CMA	CMA057LBEM	RSCR	220-240	50	ASHRAE -23.3 °C / 54.4°C	141	560	164	5.60	1.64	171
		CMA057LHEG	RSIR	220-240	50		140	556	163	4.83	1.41	171
		CMA057LHEM	RSCR	220-240	50		138	548	160	4.98	1.46	171
		CMA057LKTM	RSCR	220-240	50		138	548	160	4.85	1.42	171
					60		160	635	186	5.29	1.55	171
		CMA062LBEM	RSCR	220-240	50		151	597	175	5.64	1.65	171
		CMA062LCEM	RSCR	220-240	50		156	619	181	5.79	1.70	171
		CMA062LHCM	RSCR	115	60		175	695	203	4.89	1.43	171
		CMA062LHEG	RSIR	220-240	50		153	607	178	4.98	1.46	171
		CMA062LHEM	RSCR	220-240	50		153	607	178	5.19	1.52	171
		CMA062LKEM	RSCR	220-240	50		148	588	172	5.02	1.47	171
		CMA069LAEM	RSCR	220-240	50		165	655	192	5.50	1.61	171
		CMA069LBEM	RSCR	220-240	50		168	667	195	5.75	1.68	171
		CMA069LATM	RSCR	220-240	50		168	667	195	5.17	1.51	171
					60		202	802	235	5.49	1.61	171
		CMA069LHEM	RSCR	220-240	50		168	667	195	5.20	1.52	171
		CMA069LKEM	RSCR	220-240	50		161	639	187	5.15	1.51	171
		CMA075LAEM	RSCR	220-240	50		185	734	215	5.69	1.67	171
		CMA075LBEM	RSCR	220-240	50		191	758	222	5.70	1.67	171
		CMA075LATM	RSCR	220-240	50		185	734	215	5.17	1.51	171
					60		222	881	258	5.47	1.60	171

- CSB



- CMA



Specification

Fixed Speed R134a [3 of 3]

Application : HBP

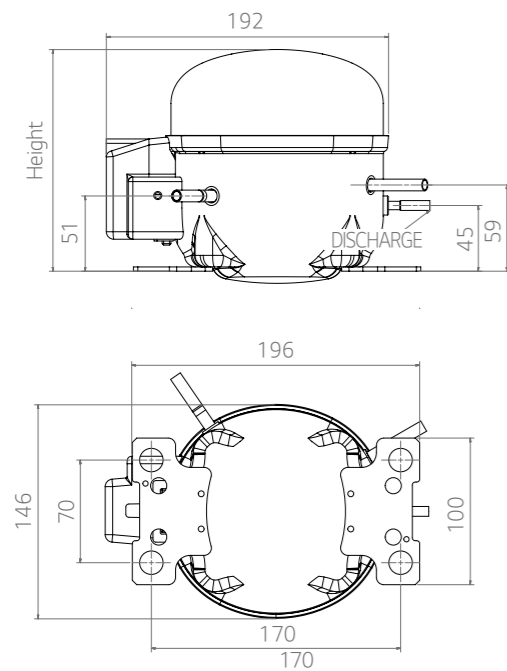
Refrigerant	Series	Model	Motor type	Voltage	Frequency	Test condition	Performance					Dimension	
							Capacity			EER	COP	Height	
							Kcal/hr	Btu/W-hr	Watts				mm
R134a	TS	TS24HADG	RSIR	220	60	Te / Tc = 7.22 / 54.4°C RT35°C	224	889	260	6.18	1.81	151	
	CSB	CSB035HAEG	RSIR	220-240	50		275	1,092	320	6.12	1.79	163	
		CSB035HAEF	CSIR	220-240	50		275	1,092	320	6.12	1.79	163	
		CSB035HAQG	RSIR	110-115	60		320	1,270	372	6.00	1.76	163	
		CSB035HHDG	RSIR	220	60		320	1,270	372	6.00	1.76	163	
		CMA042HHDM	RSCR	220	60		405	1,608	471	8.70	2.55	161	
	CMA	CMA053HHDM	RSCR	220	60		514	2,041	598	8.90	2.61	161	
		CMA062HHDM	RSCR	220	60		615	2,442	715	8.80	2.58	171	
		CMA075HADM	RSCR	220	60		740	2,938	860	8.80	2.58	171	
		CMA089HADM	RSCR	220	60		855	3,394	994	8.30	2.43	171	
		CMA062HAEM	RSCR	220-240	50		520	2,064	605	9.60	2.81	171	
		CMA075HAEM	RSCR	220-240	50		635	2,521	738	9.10	2.67	171	
		LX	LX125HPDP	CSIR	220		60	1,200	4,764	1,395	6.27	1.84	203
			LX110HPDP	CSIR	220		60	1,000	3,970	1,163	6.30	1.85	200
	LX110HACF		CSIR	115	60		1,040	4,129	1,209	6.68	1.96	203	
	LX110HAEP		CSIR	220-240	50		910	3,613	1,058	7.18	2.10	203	
	LX72HPDP		CSIR	220	60		700	2,779	814	7.20	2.11	200	

Fixed Speed R290

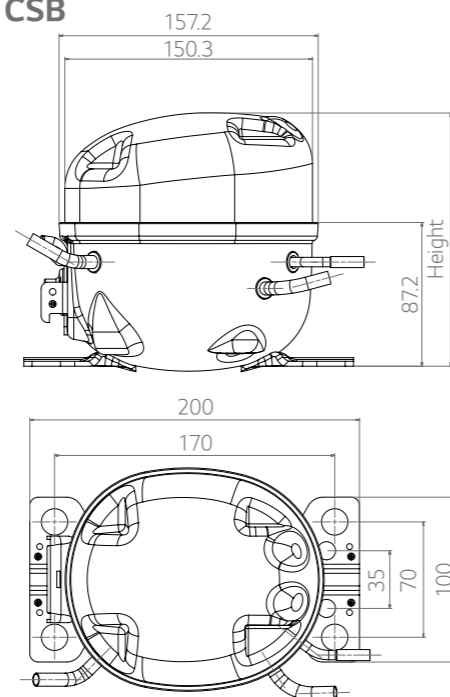
Application : WLBP

Refrigerant	Series	Model	Motor type	Voltage	Frequency	Test condition	Performance					Dimension	
							Capacity			EER	COP	Height	
							Kcal/hr	Btu/W-hr	Watts				mm
R134a	CMA	CMA042PACM	RSCR	115	60	ASHRAE -23.3 °C / 54.4°C	159	632	185	5.12	1.50	171	
		CMA042PHEM	RSCR	220-240	50		140	555	162	4.78	1.40	171	
		CMA047PHEM	RSCR	220-240	50		156	621	182	4.78	1.40	171	
		CMA053PHDM	RSCR	220	60		168	666	195	5.12	1.50	171	
		CMA053PHEM	RSCR	220-240	50		176	700	205	5.12	1.50	171	
		CMA062PACH	CSR	115	60		292	1,161	340	5.12	1.50	171	
		CMA062PHDM	RSCR	220	60		292	1,161	340	5.12	1.50	171	
		CMA062PHEM	RSCR	220-240	50		237	939	275	5.12	1.50	171	
		CMA075PACH	CSR	115	60		353	1,400	410	5.12	1.50	171	
		CMA075PAEM	RSCR	220-240	50		292	1,161	340	5.46	1.60	171	
		CMA075PBEM	RSCR	220-240	50		305	1,212	355	5.80	1.70	171	
		CMA075PHDM	RSCR	220	60		353	1,400	410	5.12	1.50	171	
		CMA075PHEM	RSCR	220-240	50		288	1,144	335	5.12	1.50	171	
		LX	LX086PACH	CSR	115		60	396	1,571	460	4.95	1.45	203
			LX086PADM	RSCR	220		60	396	1,571	460	4.78	1.40	203
	LX086PAEM		RSCR	220-240	50		335	1,332	390	4.95	1.45	203	
	LX086PHEM		RSCR	220-240	50		335	1,332	390	4.44	1.30	203	
	LX095PACH		CSR	115	60		439	1,741	510	4.95	1.45	203	
	LX095PADM		RSCR	220	60		439	1,741	510	4.78	1.40	203	
	LX095PAEM		RSCR	220-240	50		370	1,468	430	4.95	1.45	203	
	LX110PACH		CSR	115	60		507	2,014	590	4.95	1.45	203	
	LX110PADM		RSCR	220	60		507	2,014	590	4.78	1.40	203	
	LX110PAEM		RSCR	220-240	50		430	1,707	500	4.95	1.45	203	
	LX110PHEM		RSCR	220-240	50		370	1,468	430	4.44	1.30	203	

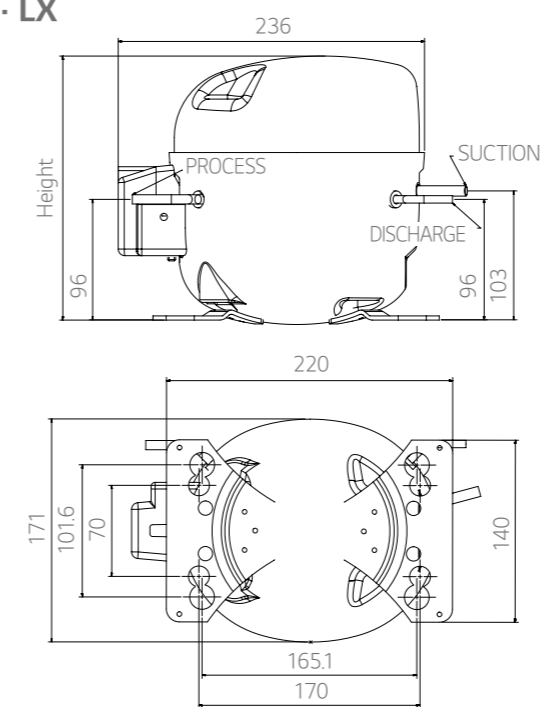
· TS



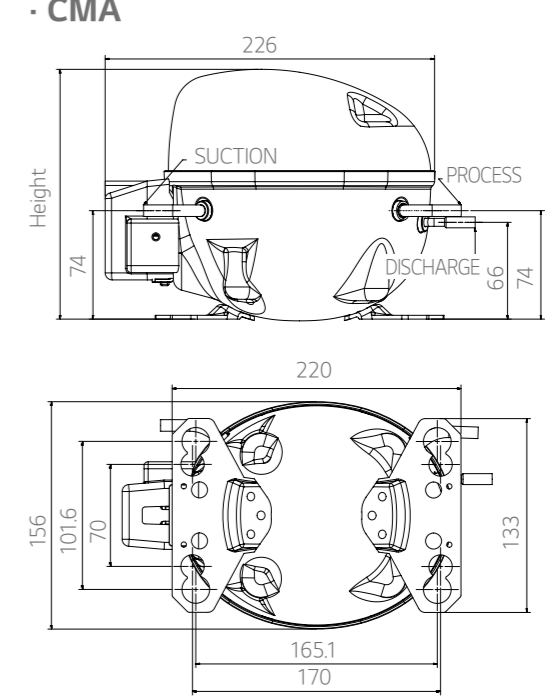
· CSB



· LX



· CMA



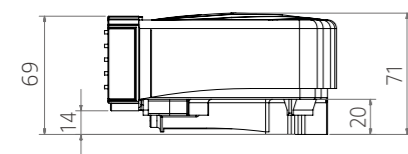
Specification

Drive

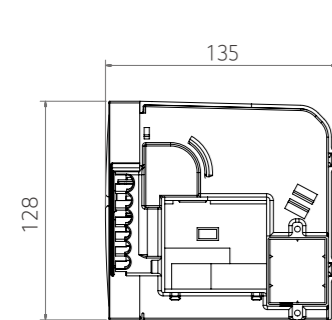
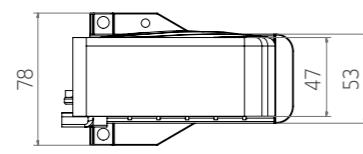
		10A IPM (Medium)	5A IPM (Small)	5A IPM (Compact)
Controller	Rated input power	220-240 Vac	220-240 Vac	220-240 Vac
	Maximum input current	3.0A	2.0A	1.0A
	Maximum input power	260W	220W	100W
	Operating compressor Hz	20-75Hz	17-75Hz	45-70Hz
	Compressor connection color	Black(U) / Blue(V) / Yellow(W)	Black(U) / Blue(V) / Yellow(W)	Black(U) / Blue(V) / Yellow(W)
	Ambient operating temperature	-5-43°C	-5-43°C	-5-38°C
	Storage temperature	-25-85°C	-25-85°C	-25-85°C
	Max. storage relative humidity	85%	85%	85%
	PCBA Size	110*100mm	110*94mm	80*75mm (PCBA type)
Noise Filter	Inductance	4A, 26mH	5A, 10mH	None
OLP	Type	External type (3/4")	External type (4MPS)	External type (4MPS)

· 10A IPM (Medium)

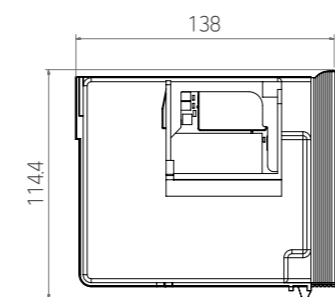
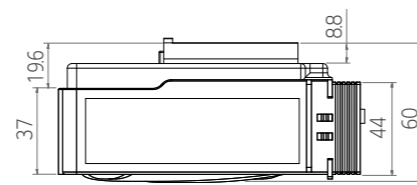
Attached controller



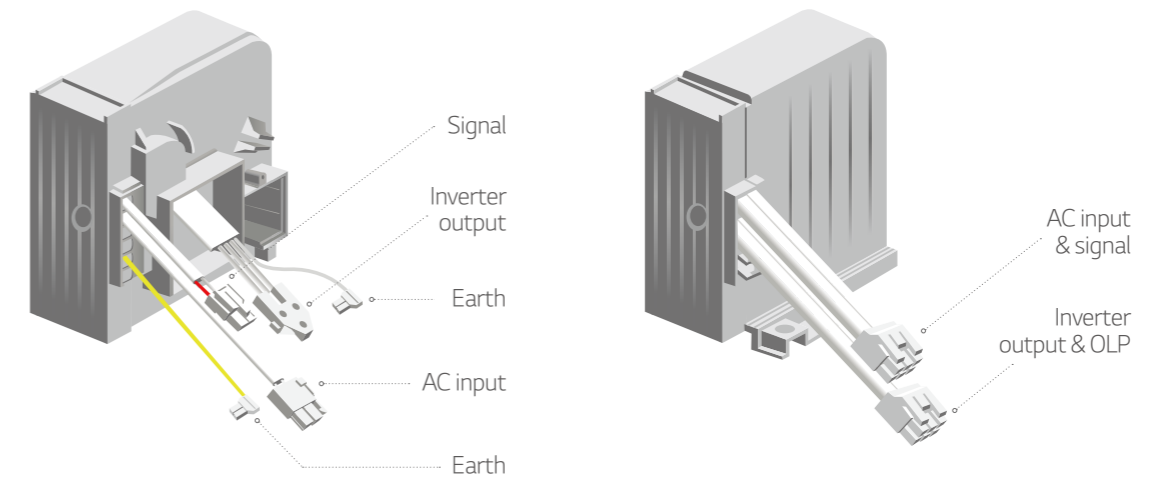
Detached controller



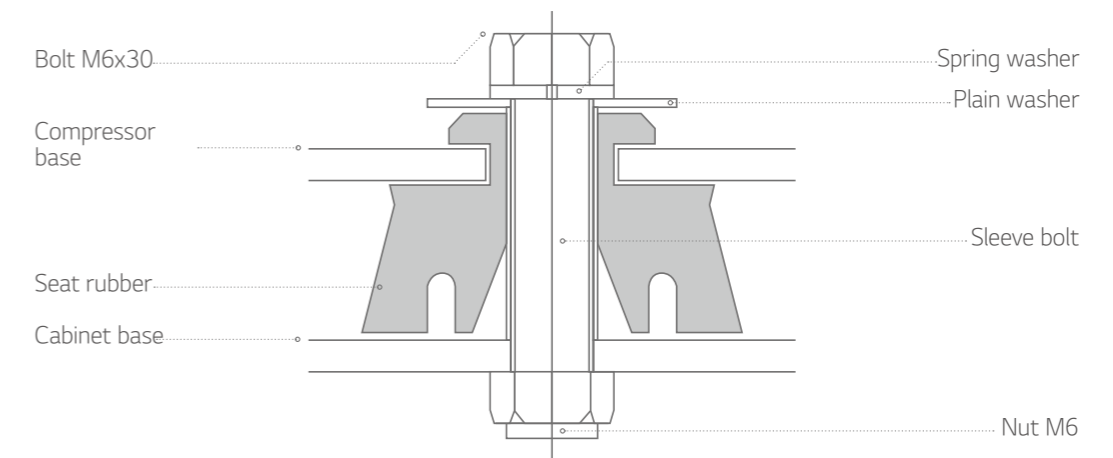
· 5A IPM (Small)



Attached / Detached Controller



Mounting

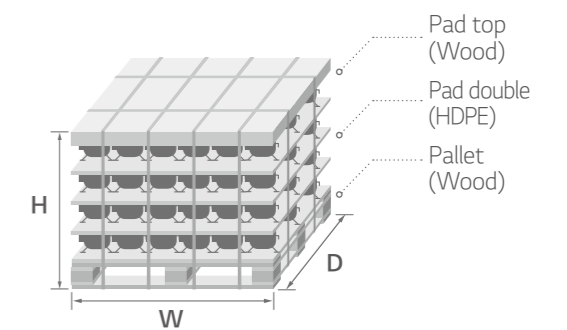


Packing & Container Stuffing Quantity

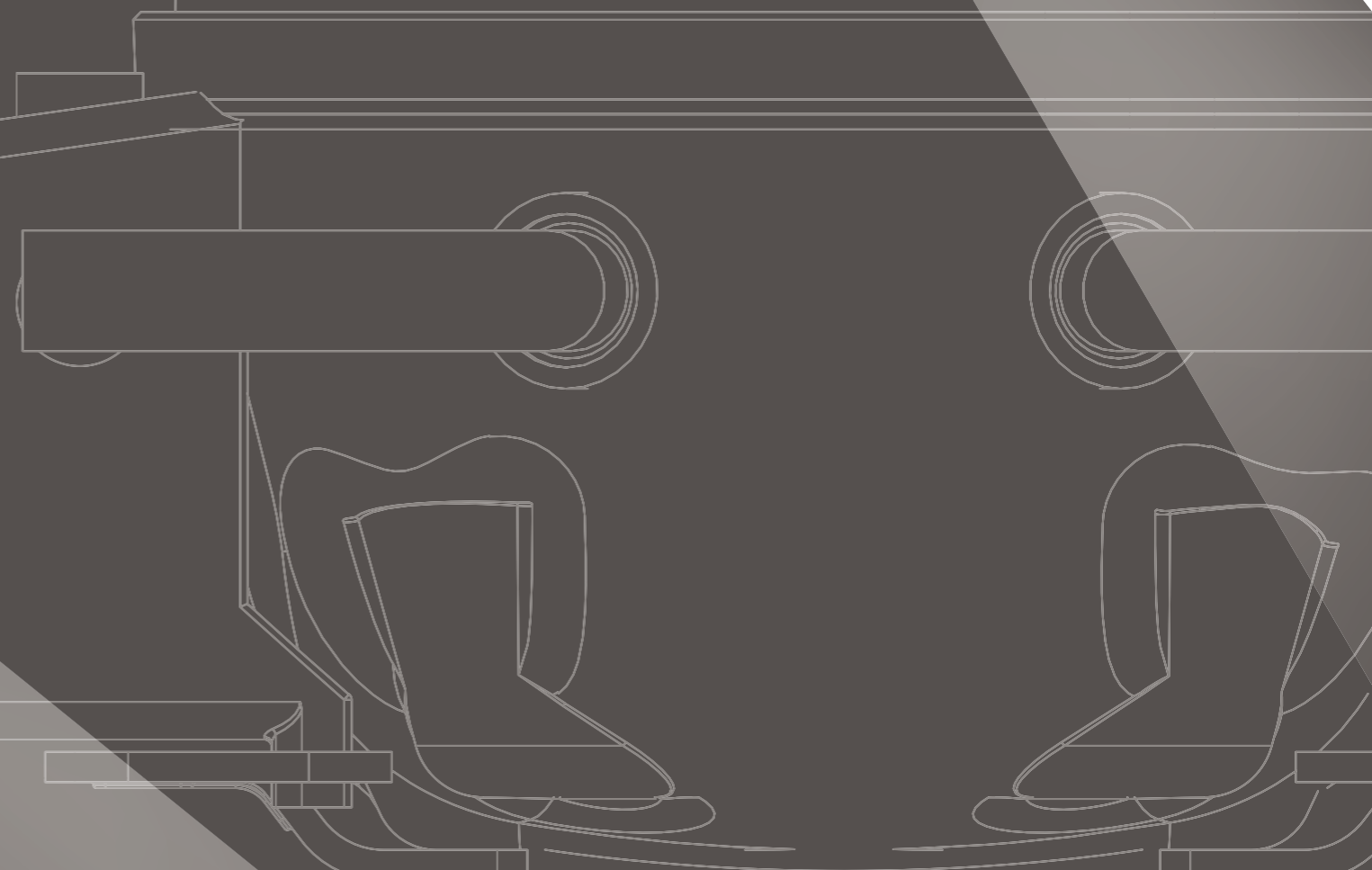
Unit : mm

Dimension		LX/LQ	CSB	CMA	BSA	BMA	BMG/H/K	
		W	1,100	1,100	1,100	1,100	1,100	1,100
		D	800	800	800	800	800	800
	H(Max)	1,000	1,120	1,080	900	916	916	
	Q'ty	64	150	90	150	90	90	
	Layout	4 x 4 x 4	5 x 5 x 5	6 x 3 x 5	5 x 5 x 6	6 x 3 x 5	6 x 3 x 5	

Stacking : 3 pallets max. compressor
Height : Based on wooden type



ULTRA COMPACT RECIPROCATING COMPRESSOR



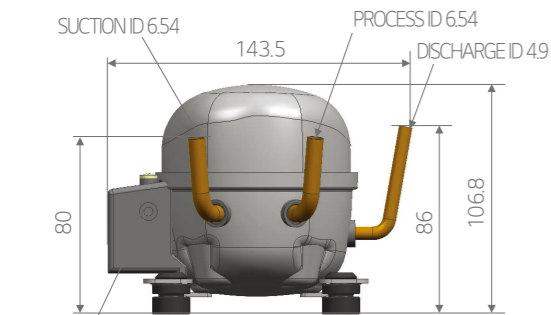
Specification

Ultra Compact Reciprocating Compressor

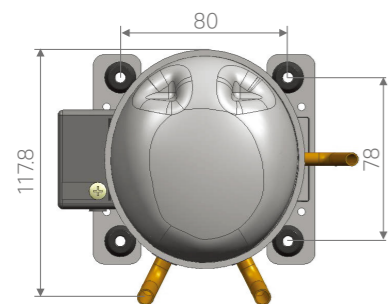
Application : LBP

Refrigerant	Series	Model	Motor type	Voltage	Frequency	Test condition	Speed range	Speed	Performance					Dimension	
									Capacity			EER	COP		Height
									Kcal/hr	Btu/W-hr	Watts	Btu/W-hr	W/W		
R134a	BCA	BCA015LAW	BLDC	12/24 DC	50 / 60	2700 -4500	4200	ASHRAE -23.3°C /54.7°C	28	112	33	4.18	1.22	98	
							3600		25	100	29	3.70	1.08		
							3000		21	83	24	3.26	0.95		
							2400		17	67	20	3.04	0.89		
	BCA	BCA018LAW	BLDC	12/24 DC	50 / 60	2700 -4500	4200	ASHRAE -23.3°C /54.6°C	42	165	48	3.91	1.15	98	
							3600		38	151	44	3.44	1.01		
							3000		35	139	41	3.04	0.89		
							2400		29	117	34	2.84	0.83		
	BCA	BCA018LAMV	BLDC	220 -240V	50 / 60	2400 -4200	4200	ASHRAE -23.3°C /54.5°C	42	165	48	4.10	1.20	98	
							3600		38	151	44	4.37	1.28		
							3000		35	139	41	4.37	1.28		
							2400		29	117	34	4.46	1.31		
BCA	BCA018LBWV	BLDC	100 -127V	50 / 60	2400 -4200	4200	ASHRAE -23.3°C /54.5°C	42	165	48	4.02	1.18	98		
						3600		38	151	44	4.28	1.25			
						3000		35	139	41	4.28	1.25			
						2400		29	117	34	4.37	1.28			
R600a	BCA	BCA030NAMV	BLDC	220 -240V	50 / 60	2400 -4,200	4200	ASHRAE -23.3°C /54.4°C	52	206	60	5.04	1.48	98	
							3600		49	193	57	5.08	1.49		
							3000		41	161	47	5.07	1.48		
							2400		30	118	35	4.26	1.25		
	BCA	BCA030NAMV	BLDC	220 -240V	50 / 60	2400 -4,200	4200	ASHRAE -23.3°C /54.4°C	52	206	60	4.62	1.35	98	
							3600		49	193	57	4.67	1.37		
							3000		41	161	47	4.62	1.35		
							2400		30	118	35	3.92	1.15		

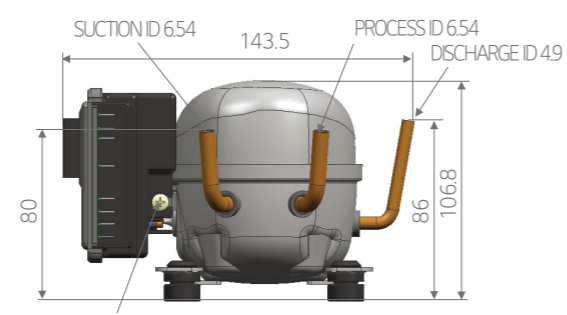
- AC



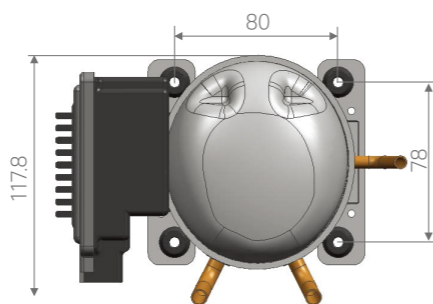
BOLT(1pcs, Right)



- DC



Screw, customized (Front & Back, 2-point)

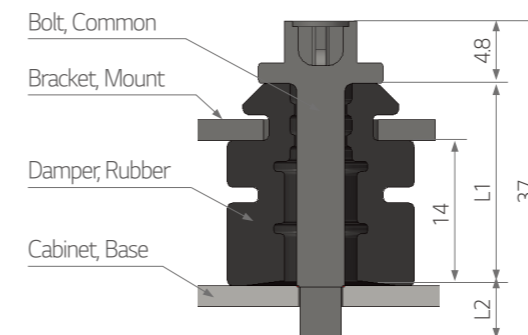


Electrical Data

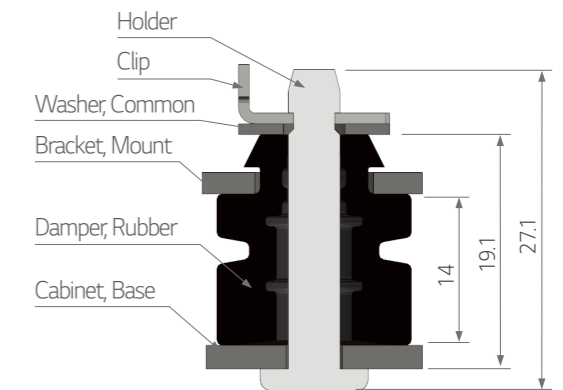
Series	AC	DC
Input voltage range	187 ~ 264 Vac	12 / 24 Vdc (9.0~ 31.5V)
Input frequency	50 / 60 Hz	-
Maximum drive input current	1 Arms	15 Apeak
Maximum drive input power	100 W	100 W
Maximum drive input power in maximum load	100 W (PCB Parts temperature 100°C↓)	100 W (PCB Parts temperature 100°C↓)
Maximum motor input current	0.63 Arms	15 Apeak
Maximum motor input power	95W	100 W
Motor input frequency range	2,400-4,500rpm	40 to 75 Hz (2,400 to 4,500rpm)

Mounting

Bolt Type



Snap on Type



Packing & Container Stuffing Quantity

Unit : mm

		BCA
Dimension mm (inch)	W	1,100 (43.3)
	D	800 (31.5)
	H	940 (37.0)
Q'ty (EA)		280

Stacking : 3pallets max. compressor

