

## Model

Designation	<b>SC18CLX.2</b>	220-240V/50Hz 1~	Sales code:	<b>104L2197</b>
-------------	------------------	------------------	-------------	-----------------

## Compressor design

Oil type	Polyolester	Refrigerant(s)	<b>R404A, R507</b>
Oil viscosity	32cST	Displacement	17,69cm <sup>3</sup> / 1,08cu.in
Oil quantity	550cm <sup>3</sup> / 18,6fl.oz	Compressors on pallet	80
Refr. charge - tech. limit	1300g / 45,9oz		
Free gas volume comp.	1460cm <sup>3</sup> / 49,4fl.oz		
Weight	13,8kg / 30,4lbs		
Motor protection	1# internal		
Winding resistance main	3,3Ω (at 25°C)		
Winding resistance aux	16,5Ω (at 25°C)		
Max. winding temp.	125°C / 257°F		
Max. discharge temp.	135°C / 275°F		



## General - Configurations with SC18CLX.2

	<b>Conf. 1</b>
Motorconfiguration	CSIR
Power supply (nominal)	220-240V/50Hz
Number of phases	1
Voltage range	198-254V
Approvals	VDE, CCC, EAC
Starting torque	HST
Note	- / -

## Applications with SC18CLX.2

	<b>Conf. 1</b>
Refrigerant	R404A
Application	LBP
System cooling	fan 3m/s
Hot gas defrost	OK
Long interval pull down	OK

## Electrical data - Configurations with SC18CLX.2

	<b>Conf. 1</b>
Starting device type	relay
Run capacitor	- / -
Start capacitor	125μF
LRA (locked rotor amps / 4s)	23,5A
RLA (rated load amps / 1s)	4,5A
Cut in current	23,5A

## Model

Designation

**SC18CLX.2**

220-240V/50Hz 1~

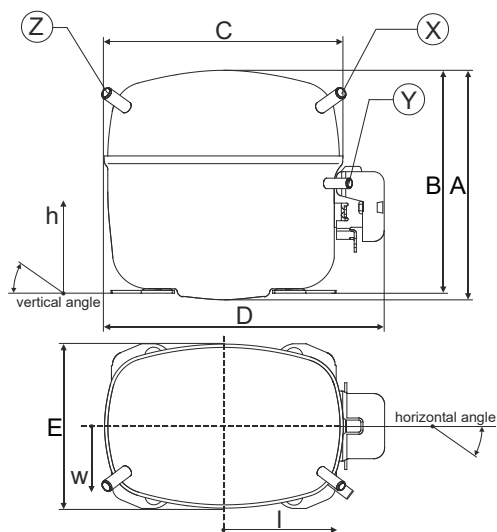
Sales code:

**104L2197**

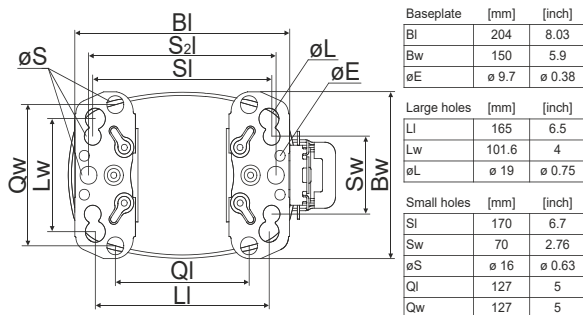
## Compressor dimensions

Housing	A Height	219mm / 8,62in
	B Height	213mm / 8,39in
	C Length shell	218mm / 8,58in
	D Length w. cover	255mm / 10,04in
	E Width	151mm / 5,94in

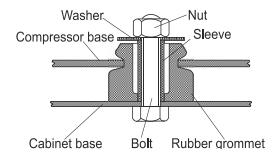
Connectors	Suction	Discharge	Process
	X	Y	Z
Diameter [mm]	øi 10,11-10,29	øi 6,11-6,29	øi 6,11-6,29
(i:inside, o:outside) [in]	øi 0,4-0,41	øi 0,24-0,25	øi 0,24-0,25
Material	copper	copper	copper
Horizontal angle ±2°	37°	37°	143°
Vertical angle ±2°	30°	0°	150°
Position l/h/w [mm]	107/193/55	115/110/63	-107/193/55
[in]	4,2/7,6/2,2	4,5/4,3/2,5	-4,2/7,6/2,2
Straight tube l. [mm]	12	12	12
[in]	0,5	0,5	0,5



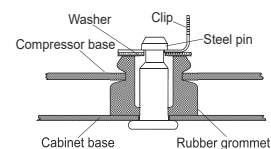
## Compressor fixation



### Bolt joint



### Snap-on



## Mounting accessories

	one comp.	multi pack
Bolt joint   M6   ø16mm	118-1917	118-1918
Bolt joint   ø1/4"   ø16mm	118-1946	
Bolt joint   ø1/4"   ø19mm	118-1949	
Snap-on   ø7,3   ø16mm	118-1947	118-1919

## Application notes

Provision for PE Grounding is located at the PE Stamp on the compressor

## Model

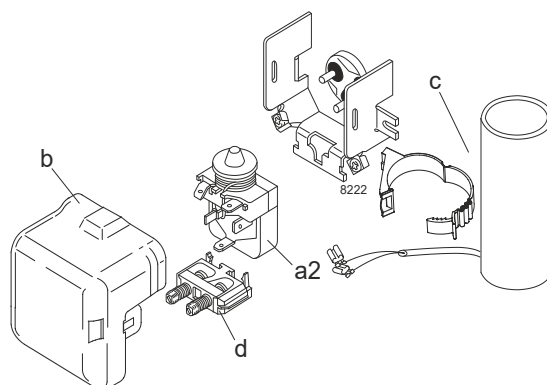
Designation	<b>SC18CLX.2</b>	<b>220-240V/50Hz</b>	<b>Conf. 1</b>	Sales code:	<b>104L2197</b>
-------------	------------------	----------------------	----------------	-------------	-----------------

## Configuration

Motorconfiguration	CSIR
Power supply (nominal)	220-240V/50Hz 1~
Refrigerant	R404A
Application	LBP
Voltage range	198-254V
Starting torque	HST
Approvals	VDE CCC EAC

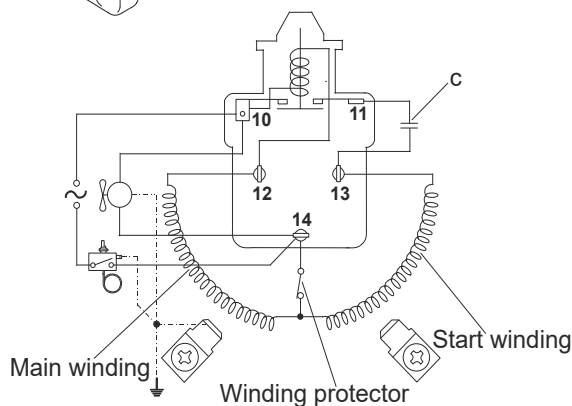
## Electrical accessories / wiring diagram

CSIR



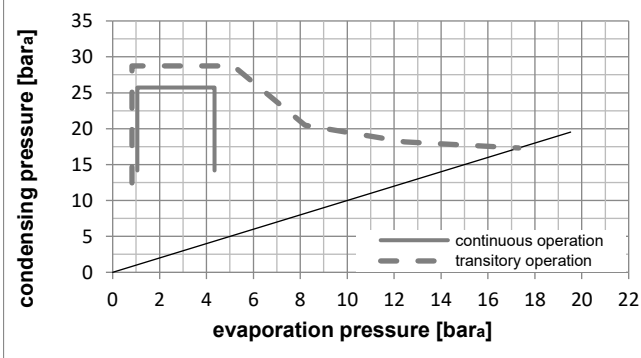
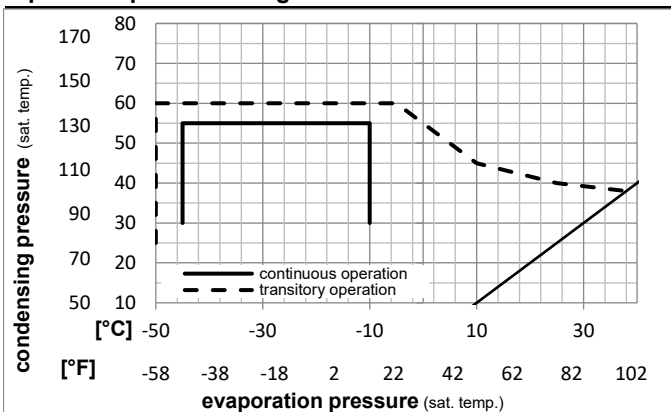
## Ambient/ machine room temperatures minimum /maximum

Ambient temperature range:	10 - 38°C / 50 - 101°F
Machine room temperature range:	10 - 43°C / 50 - 110°F
Compressor cooling:	fan 3m/s



## Operation Limits

### Operation pressure range



### Components

a2	relay	117U6013
c	start capacitor (125µF)	117U5012
d	cord relief	103N1004
b	plastic cover	103N2009

### Model

Designation **SC18CLX.2** **220-240V/50Hz** Conf. 1 Sales code: **104L2197**

### Optimization + standard conditions

R404A, 220V/50Hz, CSIR, fan 3m/s, VDE, CCC, EAC

		Evaporating pressure (saturation temperature)				Condensing pressure (saturation temperature)			Return gas temp.			Liquid temp.			Cooling capacity			COP	EER	Power consumption			
		pe	pc	RGT	Tliq	[W]	[Btu/h]	[kcal/h]	[W/W]	[Btu/Wh]	[kcal/Wh]	P1	I	m	[W]	[A]	[kg/h]						
[°C]	[°F]																						
-23	54	32	32	884,0	3019	760,8	1,20	4,09	1,03	738,5	4,46	20,60	ASHRAE LBP										
-10	130	90	90																				
-25	55	32	55	595,0	2032	512,1	0,84	2,87	0,72	708,4	4,34	18,60	cecomaf LBP										
-13	131	90	131																				
-35	40	20	40	480,2	1640	413,3	0,93	3,19	0,80	514,4	3,68	13,05	EN12900 LBP										
-31	104	68	104																				
-23	49	4,4	49	667,9	2281	574,8	0,93	3,17	0,80	720,0	4,42	23,65	ARI540 LBP										
-10	120	40	120																				
-23	41	32	32	1021,9	3490	879,5	1,47	5,03	1,27	694,5	4,34	23,81	AHAM LBP										
-10	105	90	90																				
-35	45	32	45	438,6	1498	377,5	0,85	2,90	0,73	517,2	3,68	11,73	opt										
-31	113	90	113																				

### Performance tables

R404A, 220V/50Hz, CSIR, fan 3m/s, VDE, CCC, EAC

	pe		Cooling capacity			COP	EER	P1	I	m	
	[°C]	[°F]	[W]	[Btu/h]	[kcal/h]	[W/W]	[Btu/Wh]	[kcal/Wh]	[W]	[A]	[kg/h]
[°C / °F]	-45	-49	194,5	664	167,4	0,55	1,88	0,47	354,1	3,13	5,17
cond. pressure	-35	-31	438,6	1498	377,5	0,85	2,90	0,73	517,2	3,68	11,73
pc= 45/113	-30	-22	595,4	2033	512,4	1,00	3,40	0,86	597,7	3,98	15,98
return gas temp.	-25	-13	779,8	2663	671,1	1,15	3,92	0,99	679,7	4,28	21,03
RGT= 32/90	-20	-4	995,1	3399	856,4	1,30	4,44	1,12	764,6	4,60	27,00
liquid temp	-15	5	1244,8	4251	1071,2	1,46	4,98	1,25	854,0	4,92	34,00
Tliq= 45/113	-10	14	1532,0	5232	1318,4	1,61	5,51	1,39	949,3	5,26	42,19
[°C / °F]	-45	-49	93,2	318	80,2	0,29	0,99	0,25	320,5	3,01	2,86
cond. pressure	-35	-31	304,7	1041	262,2	0,59	2,01	0,51	517,6	3,65	9,43
pc= 55/131	-30	-22	438,4	1497	377,3	0,72	2,44	0,62	613,0	3,99	13,62
return gas temp	-25	-13	595,0	2032	512,1	0,84	2,87	0,72	708,4	4,34	18,60
RGT= 32/90	-20	-4	778,0	2657	669,6	0,97	3,30	0,83	805,1	4,70	24,48
liquid temp	-15	5	990,8	3384	852,7	1,10	3,74	0,94	904,8	5,07	31,42
Tliq= 55/131	-10	14	1236,5	4223	1064,1	1,23	4,19	1,05	1009,0	5,45	39,58