

GMCC
用芯创造未来



RECIP COMPRESSOR 2020

往复式压缩机
产品手册



GMCC
CREATE FUTURE WITH CORE

本资料相关技术数据仅供参考，实际数据以我司最新的产品规格书为准
The data of this catalog is for reference only, the actual data is subject to
the latest specification document
品牌整合推广：川上（中国）品牌管理有限公司 020-34354269



环保纸张
可回收资源
Recyclable
Made From Recycled Content

本手册印制于2019年12月，欲了解最新产品技术信息，请访问GMCC官方网站：www.gmcc-welling.com
This manual was printed in Dec. 2019. For technical details about the latest products, please visit GMCC website: www.gmcc-welling.com

CONTENTS 目录

02
公司简介
COMPANY PROFILE

08
智能制造
SMART MANUFACTURE

10
绿色潜能
GREEN POTENTIALS

17
产品性能参数
PRODUCT PERFORMANCE
AND PARAMETERS

45
附件安装图
INSTALLATION
OF ACCESSORIES

46
电气接线图
ELECTRIC WIRING DIAGRAM

04
绿色里程
GREEN MILE

12
品牌影响力
BRAND INFLUENCE

14
产品系列介绍
INTRODUCTION TO
PRODUCT SERIES

42
外形图
OUTLINE DRAWING
OF COMPRESSOR

47
压缩机标准包装
COMPRESSOR STANDARD
PACKAGE

49
联系我们
CONTACT US

06
绿色科技
GREEN TECHNOLOGY

16
产品命名规则及测试工况
PRODUCT NAMING RULES AND
TESTING CONDITIONS

48
一般技术说明
GENERAL TECHNICAL
DESCRIPTION

COMPANY PROFILE

公司简介



我们的企业

Company

GMCC于1995年创建于广东顺德，是一家专业化研发、生产、销售旋转式、往复等冷冻冷藏、环境空气调节用压缩机的精密制造企业；
Founded in 1995, GMCC is a precision manufacturing company engaged in R&D, production and sales of rotary compressor and reciprocating compressor for cold storage and air conditioning.

我们的产品应用

Product

产品广泛应用于中央空调、家用电器和汽车等领域，如各类空调、冰箱、冷柜、热泵热水器、除湿机、干衣机、冷藏汽车、饮水机设备等；
The products are widely used in the fields of central air conditioner, household appliances and automobiles, such as air conditioners, refrigerators, refrigerated cabinets, heat-pump water-heaters, dehumidifiers, dryers, refrigerated cars, water dispensing equipnet, etc.

我们的体系

Market

GMCC在全球拥有五大研发试验中心，5个工厂；2019冷年产销空调压缩机7250万台、冰箱压缩机2727万台。
Five R&D centers and five plants around the globe, GMCC achieved production and sales of 69.5 million sets of A/C compressor and 20.1 million sets of refrigerator compressor in 2019 refrigeration year.

五大研发试验中心，已获得共2700多项专利

5 R&D centers, 2700 patents



顺德 Shunde 合肥 Hefei 印度 India 欧洲 Europe 日本 Japan

5个智能工厂，400多台工业机器人

5 intelligent factories, 400+ industrial robots

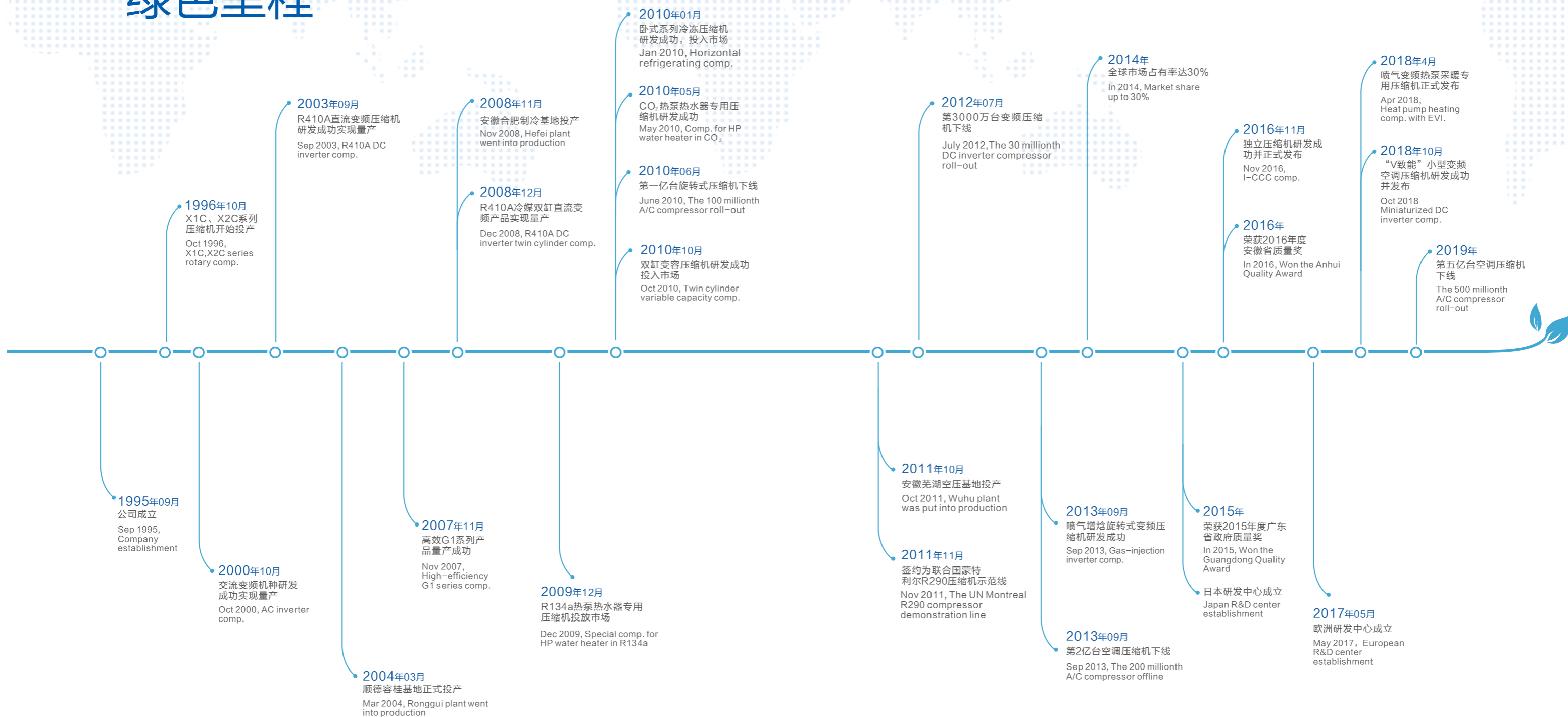


广东顺德（大良） Shunde, Guangdong 广东顺德（容桂） Shunde, Guangdong 安徽合肥 Hefei, Anhui 安徽芜湖 Wuhu, Anhui 印度浦那 Pune, India

GMCC

GREEN MILE

绿色里程



GREEN TECHNOLOGY

绿色科技

GMCC产品能效每年提升3%，为世界各地提供高效、节能、环保、低噪的绿色压缩机动力核心。

With energy efficiency of GMCC products improved by 3% every year, GMCC provides customers worldwide with high-efficiency, eco-friendly, and low-noise green compressor cores.

创新驱动

Innovation Driven

为保持核心科技竞争力，GMCC持续投入大量科研资源，其研发测试中心配备了400多套价值超过2亿元的全套实验测试分析系统和实验室，通过国家实验室认证和UL CTDP认证。

In order to maintain its core technologic competitiveness, GMCC continues to invest a large amount of resources to scientific research. Its R&D testing center is equipped with more than 400 sets of experimental test and analysis systems and laboratories worth over 200 million Yuan. The center is both CNAS and UL CTDP certificated.

技术路线

Technical Route

GMCC坚持绿色科技路线，不断在环保、高效、小型、智能和静音等方面进行技术研发和产品升级。与10年前相比，GMCC压缩机如今的能效提升超过10%，每年可节省50亿度电，相当于1/9个大亚湾核电站。

Persisting in green technologic route, GMCC continues to develop and upgrade its products regarding eco-friendliness, efficiency, size, intelligence and noise. Compared with products 10 years ago, the energy efficiency of present GMCC compressors has been improved by more than 10%, and 5 billion kilowatt hour can be saved each year which is equal to 1/9 of the energy generated by Daya Bay Nuclear Power Plant.



绿色芯

Green Core

GMCC始终坚持研究环保冷媒应用，近十年来先后率先推出R407C、R410A、CO₂、R290和R32等环保冷媒压缩机产品。其R290压缩机联合国示范生产线已于2014年底成功验收，正为世界各地量产型谱全面、应用广泛的R290压缩机。

GMCC has long been involved in research and application of environment-friendly refrigerants, and has successively released the first compressor products featuring R407C, R410A, CO₂, R290, R32 and other green refrigerants in the past decade. Its United Nations exemplary R290 compressor production line passed acceptance inspection at the end of 2014, and is now producing widely-used R290 compressors of various types and models in large volumes for customers from all over the world.



智慧芯

Wisdom Core

早在2003年，GMCC就推出了R410A直流变频压缩机。近年来，GMCC不断创新研发节能变频技术，先后推出双缸变频、变频变容、喷气增焐、全能耦合和独立压缩等新品，为空调行业的变频化发展不断贡献力量。

GMCC launched the first R410A DC inverter compressor as early as 2003. In recent years, thanks to its consistent efforts in innovation and R&D on energy-saving inverter technologies, GMCC has successively rolled out new products featuring technologies such as double-cylinder frequency conversion, variable frequency and capacitance, enhanced vapor injection, all-round coupling, independent compression, etc., and in this way, GMCC has been constantly making its contribution to the popularization of frequency conversion technologies in the air conditioning industry.



鲜活芯

Fresh Core

在绿色节能大潮流下，冰箱压缩机行业呈现出高效化、小型化和节能化等技术发展趋势。通过持续的研发创新投入，GMCC陆续推出自主开发的全铝线冰箱压缩机、钣金泵体压缩机和经济变频压缩机，助力冰箱产业绿色发展。

Under the trend of green energy saving, the refrigerator compressor industry presents the development trend of high efficiency, miniaturization and energy saving, etc. Through continuous research and innovation input, GMCC has successively launched self-developed refrigerator compressors using the aluminum wiring process, compressors with sheet metal pumps, and economical inverter compressors to promote the green development of the refrigerator industry.



SMART MANUFACTURE

智能制造



不断提高精益制造水平，创新生产工艺，打造智能工厂，GMCC生产效率每年提升10%以上

With continuous increased refined manufacturing level, innovative production process, and intelligent plant, GMCC's production efficiency gets more than 10% improvement each year.

(一) 信息化

一体化精益信息体系，全面支撑业务。GMCC 建成以计划驱动、采购协同、物流配合、制造执行的闭环制造协同体系，初步实现集成化、可视化、信息化的敏捷型数字工厂，产品交期、库存和操作人员大幅减少。



(A) Informatization

An integral lean information system lays a solid foundation for GMCC's entire business. GMCC has constructed a closed-loop manufacturing collaboration system featuring plan driving, purchase synergy, logistic coordination and manufacturing execution, and achieved a prototype of an agile digital factory boasting integration, visualization and informatization, thereby significantly reducing product delivery time, stock as well as the number of operators.

(二) 自动化

GMCC规模化应用人机交互作业，以RGV代替人工推送物料，视觉CGV代替人工识别，通过物流自动化、生产自动化和检测自动化，在压缩机生产中完成了自动化系统突破，使GMCC在规模、效率、品质、成本等各方面获得更大提升。



(B) Automation

GMCC applies man-machine interactive operation in large scale. With manual material pushing replaced by RGV, manual recognition replaced by visual CGV, and logistics/production/test automated, compressor production becomes automated, and GMCC scale, efficiency, quality, and cost obtain significant improvement.

(三) 品质管控

GMCC建立起了科学、准确、高效的产品检验体系，以保证产品的卓越品质。经过至少81道检验测试的磨练，通过2000小时以上持续运行的考察，GMCC产品的性能和品质得到了充分的验证，低于9PPM的产品工程下线率，保障压缩机在恶劣工况下10年强劲运行。



(C) Quality control

GMCC builds a scientific, accurate, and efficient product inspection system to ensure product quality. With more than 81 tests and more than 2000h continuous running, GMCC product performance and quality get sufficient guarantee, the engineering offline rate below 9PPM, ensuring that the compressors can run 10 years long under extreme conditions.

(四) 节能减排

GMCC建立了完善的能源管理制度，将能源消耗指标纳入部门考核中。通过中水回用、中央空调节能改造、生物质锅炉节能改造、空压机集成控制改造、中外炉余热利用改造等项目，年动力费单耗下降2%。



(D) Energy saving and emission reduction

GMCC has established perfect energy management systems, and the energy consumption indices are integrated to department check. GMCC promotes projects in production such as use of reclaimed water, energy-saving rebuilding of central air conditioning, energy-saving rebuilding of biomass boilers, rebuilding of compressor integration control, rebuilding of residual heat of boilers and so on. GMCC's yearly unit expenditure on power decreases by 2%.

GREEN POTENTIALS

绿色潜能

GMCC坚持可持续发展和绿色发展，提升产品综合竞争力，与上下游合作伙伴携手激发产业链潜能。

GMCC persists in sustainable development and green development to improve comprehensive competitiveness of products and cooperates with upstream and downstream partners to stimulate potential energy of the industry chain.

(一) 产学研智冷链

GMCC与国内外整机厂商、配套供应商、研究机构及高等院校等保持紧密交流，从理论分析、部品材料、系统设计和研发设备等方面深入协作，构建制冷产业链的产学研合作，输出群体智慧，全面开发和应用压缩机创新技术。

(A) Cold chain of production, university, research, and intelligence

GMCC maintains close exchanges with machine manufacturers, supporting suppliers, research institutes and colleges and universities both at home and abroad, implements in-depth cooperation in terms of theoretical analysis, parts and materials, system design and R&D equipment to build a production/university/research cooperation of the cooling industry, and outputs group wisdom to fully develop and apply compressor innovations.

(二) 客户战略合作

GMCC构建客户导向型技术研发体系，积极与客户建立联合实验室，配套开发技术，推进快速投市。近年来，GMCC独立压缩技术、喷气增焓技术、R290和R32环保冷媒技术分别助力客户在绿色智能家电市场赢得先机。

(B) Strategic cooperation with customers

GMCC builds a customer-oriented technical R&D system and founds a laboratory with customers to quicken listing using the laboratory and supporting development technologies. In recent years, the independent compression technology of GMCC, jet enthalpy technology, and R290 and R32 eco-friendly refrigerant technology help customers win opportunities in the green and intelligent household appliances market.

(三) 精益价值链

GMCC一贯强调产业链价值增值，与全链供应商深度合作，分享精益管理与技术、最新市场信息等，协助供应商不断改进品质、提升管理水平、享受精益成果。以此更形成链条合力，打造出更大规模、多赢的体系化竞争优势。

(C) Lean value chain

GMCC has always emphasized the value added in the industry chain, and cooperated deeply with the whole chain suppliers to share lean management and technology, the latest market information, etc., and to help suppliers continuously improve quality, promote management level and enjoy lean results. In this way, the chains will be combined to create a larger and multi-win systematic competitive advantage.

BRAND INFLUENCE

品牌影响力

GMCC坚持在全球制冷行业平台分享技术和产品，为世界家电提供节能、环保、高效、可靠的核心部件。

GMCC always shares technologies and products through the global cooling industry platform, and provides the household industry with core components that are energy efficient, eco-friendly, efficient, and reliable.

(一) 全球巡展

数年来持续以绿色创新、技术领先形象亮相的GMCC，已成为全球各大制冷展会的一道特色风景线。从中国出发，历经美国AHR、意大利MCE、德国CHILLVENTA、印度ACREX、泰国RHVAC和巴西FEBRAVA等全球重量级展会，GMCC品牌印记遍布全球。

(A) Global Tour

Over the past few years, GMCC has been continuing with a green innovative and technical leading image, and has become a unique landscape in different major refrigeration shows around the world. Starting from China, GMCC leaves its brand mark in heavyweight exhibitions all over the world, including American AHR, Italian MCE, Germanic CHILLVENTA, Indian ACREX, Thailand RHVAC, and Brazilian FEBRAVA.



(二) 行业分享

作为行业技术先锋，GMCC近年来不断受邀成为国际天然制冷剂大会、亚洲制冷与空调大会、中国家电技术大会、中国制冷学术年会及中国家电产业链大会等行业平台的协办单位，探讨行业技术发展方向，分享创新技术成果，推动行业技术升级。

(B) Industry Sharing

As a technologic pioneer in the industry, GMCC has been continuously invited in recent years as a co-organizer of the IIR-Gustav Lorentzen Conference on Natural Refrigerants, Asian Conference on Refrigeration and Air-Conditioning, China Household Appliances Technology Conference, Annual Meeting on Refrigeration of China, and Industrial Chain Conference on Household Appliances of China, discussing technical development direction of the industry, sharing technological achievements of innovations, and promoting technology upgrade of the industry.



(三) 联合营销

GMCC与客户保持深度战略合作，进行联合市场营销，合作推广品牌和产品。2013年，GMCC推出空调压缩机“十年包换”品质服务政策；同年联合TCL推出“十年包换”落地服务，为彼此市场拓展和品牌形象带来重大价值。

(C) Joint Marketing

GMCC maintains in-depth strategic cooperation with its customers and conducts joint marketing to promote brands and products. In 2013, GMCC launched its "10-year replacement" service policy for air-conditioning compressors. In the same year, GMCC cooperated with TCL to launch the "10-year replacement" door-to-door service, bringing significant value to mutual market expansion and brand image.



INTRODUCTION TO PRODUCT SERIES

产品系列介绍

超高效、低噪音、低振动、冷量范围广、匹配性好。
适用工质R600a、R134a、R290，制冷量覆盖
80~410W。

Ultra-efficient, low noise, low vibration and wide cooling
capacity range, good matching. Using refrigerant
R600a, R134a and R290, the cooling capacity range is
from 80W to 410W.

H SERIES系列

超小安装空间，性价比高、低噪音、低振动。适用工质
R600a、R134a，制冷量覆盖范围50~140W。

Ultra-small installation space, cost-effective, low noise and low
vibration. Using refrigerant R600a and R134a, the cooling
capacity range is from 50W to 140W.

C SERIES系列



E SERIES系列

高可靠性设计，启动性能好，宽电压运
行。适用工质R600a、R134a和R290，
制冷量覆盖50~210W。

Reliable structure, easy starting and wide
voltage operation. Using refrigerant R600a,
R134a and R290, the cooling capacity range is
from 50W to 210W.

X SERIES系列

超小外形，转速范围更广，低噪音、低振
动，适用工质R600a，制冷量覆盖范围
40~220W。

Ultra-small form factor, wider speed range,
low noise and low vibration. Using refrigerant
R600a, the cooling capacity range is from
40W to 220W.

Q/L SERIES系列

超高冷量，过载能力强，适用于轻商领域，适
用工质R290，制冷量覆盖范480~2000W。

Ultra-high cooling capacity, good overload
capability, suitable for light commercial product. the
cooling capacity range is from 480W to 2000W.



F SERIES系列

中效、低成本、低噪音、低振动，适用工质
R600a，制冷量覆盖范围50~130W。

Medium efficiency, economy high efficiency, low
noise and low vibration. Using refrigerant R600a,
the cooling capacity range is from 50W to 140W.

V SERIES系列

超高效，低噪音、低振动，过载能力强，超低安装高度，
适用工质R600a和R290，制冷量覆盖40~280W。

Ultra-efficient, low noise, low vibration, good overload
capability and ultra-low installation height. Using refrigerant
R600a and R290, the cooling capacity range is from 40W to
280W.

A SERIES系列

超高效，转速范围宽，低噪音、低振动，超低安装高度，
适用工质R600a，制冷量覆盖60~250W。

Ultra-efficient, wide speed range, low noise, low vibration,
and ultra-low installation height. Using refrigerant R600a, the
cooling capacity range is from 60W to 250W.

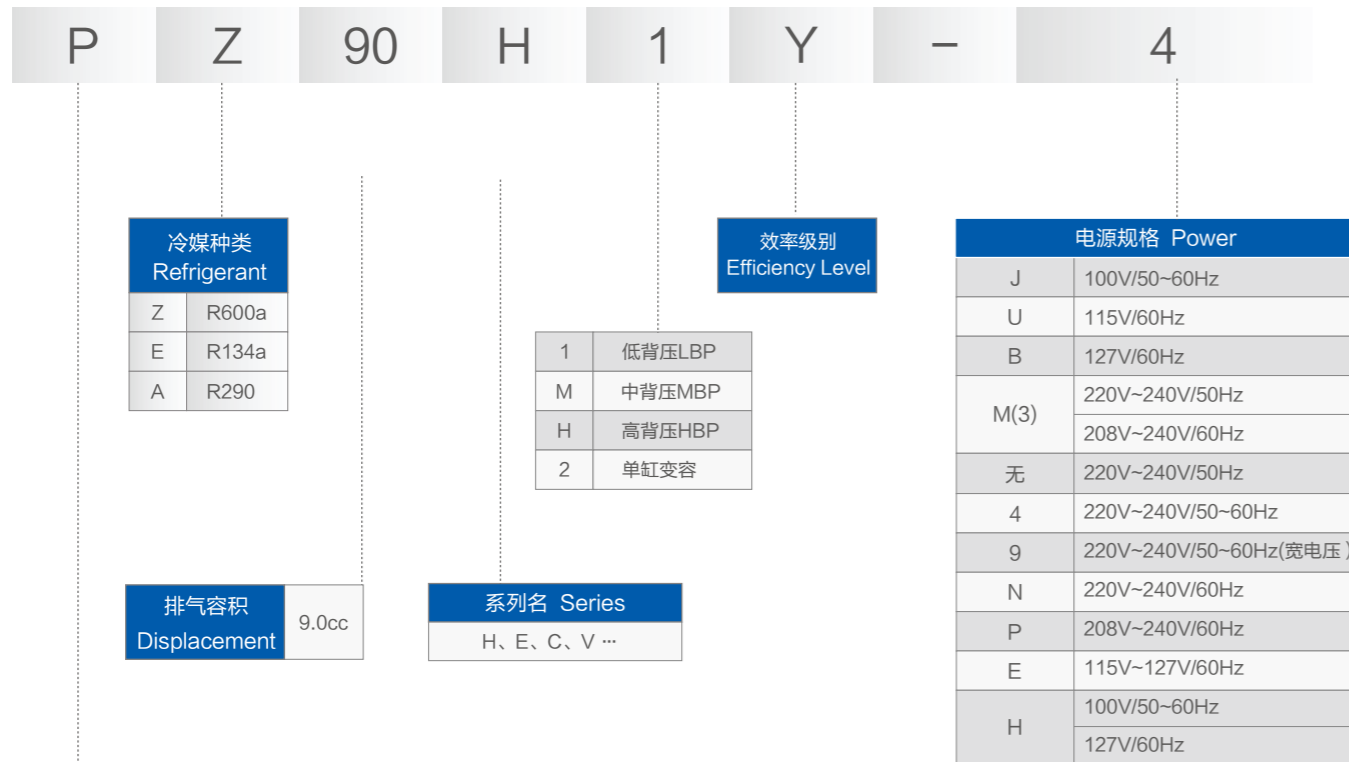
Y SERIES系列

低安装空间，性价比高、低噪音、低振动，适
用工质R600a，制冷量覆盖范围50~96W。

Low installation space, cost-effective, low noise
and low vibration. Using refrigerant R600a, the
cooling capacity range is from 50W to 96W.

产品命名规则及测试工况

产品命名规则 PRODUCT NAMING RULES



测试工况 TESTING CONDITIONS

测试工况 Test Condition	低背压LBP ASHRAE	低背压LBP CECOMAF	中背压MBP ASHRAE	高背压HBP ASHRAE
蒸发温度Evap.Temp. °C	-23.3	-25.0	-6.7	7.2
环境温度Amb.Temp. °C	32.2	32	35	35
冷凝温度Cond.Temp. °C	54.4	55	54.4	54.4
吸气温度SuctionTemp. °C	32.2	32	35	35
过冷温度SubcoolingTemp. °C	32.2	55	46.1	46.1

启动方式 Motor Type	电源类型 Power
P	RSCR 220V~240V
S	RSIR 220V~240V
E	RSCR 100V、115V
F	RSIR 100V、115V
K	CSR/CSIR 220V~240V
C	CSR/CSIR 100V、115V
D	DC变频 Frequency control 220V~240V 100V~115V

单位换算 Conersion Table

- 1、W×3.412=Btu/h
- 2、W×0.864=kcal/h
- 3、kcal/h×1.163=W
- 4、kcal/h×3.968=Btu/h
- 5、EER=COP×3.412
- 6、Capacity(at 50HZ)×1.16=Capacity(at 60HZ)

产品性能参数

系列 Series	机型 Model	气缸容积 Displ (cm³)	冷却方式 Cooling Type	电机类型 Motor Type	转速 rpm	ASHRAE (-23.3/54.4/32.2°C)					认证 Certification E	电机描述 Motor description	壳体高度 Shell height
						制冷量 Cooling Capacity			COP				
						W	Kcal/h	Btu/h	W/W	Btu/Wh			

R600a LBP 变频 DC Inverter 100V/220~240V/50~60Hz

X	DZ59X1D	5.9	ST	BLDC	1320	46	40	157	1.55	5.29	-	AL	142
					1620	57	49	194	1.65	5.63			
					3000	95	82	324	1.60	5.46			
					4320	148	127	505	1.55	5.29			
X	DZ59X1A	5.9	ST	BLDC	1320	46	40	157	1.68	5.73	-	AL	142
					1620	57	49	194	1.74	5.94			
					3000	95	82	324	1.68	5.73			
					4320	148	127	505	1.65	5.63			
V	DZ59V1Z	5.9	ST	BLDC	1320	46	40	157	1.84	6.28	-	AI	139
					1620	57	49	194	1.90	6.48			
					3000	105	90	358	1.88	6.41			
					4320	148	127	505	1.75	5.97			
V	DZ59V1V	5.9	ST	BLDC	1320	46	40	157	1.96	6.69	-	Cu	139
					1620	57	49	194	2.00	6.82			
					3000	105	90	358	1.98	6.76			
					4320	148	127	505	1.80	6.14			
X	DZ75X1D	7.5	ST	BLDC	1320	57	49	194	1.63	5.56	-	AI	142
					1620	70	60	239	1.70	5.80			
					3000	135	116	461	1.65	5.63			
					4320	180	155	614	1.62	5.53			
X	DZ75X1A	7.5	ST	BLDC	1320	57	49	194	1.70	5.80	-	AI	142
					1620	70	60	239	1.78	6.07			
					3000	135	116	461	1.72	5.87			
					4320	180	155	614	1.70	5.80			
V	DZ75V1C	7.5	ST	BLDC	1320	53	46	181	1.86	6.35	CCC	AI	120
					1620	68	58	232	1.90	6.48			
					3000	137	118	467	1.86	6.35			
					4320	180	155	614	1.69	5.77			
V	DZ75V1Z	7.5	ST	BLDC	1320	57	49	194	1.93	6.59	CCC	AI	139
					1620	70	60	239	1.94	6.62			
					3000	138	119	471	1.92	6.55			
					4320	194	167	662	1.80	6.14			
V	DZ75V1V	7.5	ST	BLDC	1320	57	49	194	2.00	6.82	-	Cu	139
					1620	70	60	239	2.02	6.89			
					3000	138	119	471	1.99	6.79			
					4320	194	167	662	1.80	6.14			
X	DZ90X1D	9.0	ST	BLDC	1320	71	61	242	1.60	5.46	-	AI	142
					1620	87	75	297	1.68	5.73			
					3000	160	138	546	1.60	5.46			
					4320	215	185	734	1.56	5.32			
X	DZ90X1A	9.0	ST	BLDC	1320	71	61	242	1.68	5.73	-	AI	142
					1620	87	75	297	1.78	6.07			
					3000	160	138	546	1.68	5.73			
					4320	215	185	734	1.66	5.66			
V	DZ90V1C	9.0	ST	BLDC	1320	69	59	235	1.85	6.31	-	AI	120
					1620	88	76	300	1.90	6.48			
					3000	172	148	587	1.80	6.14			
					4320	220	189	751	1.69	5.77			

产品性能参数

系列 Series	机型 Model	缸径 Displ. (cm ³)	冷却方式 Cooling Type	电机类型 Motor Type	转速 rpm	ASHRAE (-23.3/54.4/32.2°C)					认证 Certification	电机描述 Motor description	壳体高度 Shell height
						制冷量 Cooling Capacity			COP				
						W	Kcal/h	Btu/h	W/W	Btu/Wh			

系列 Series	机型 Model	缸径 Displ. (cm ³)	冷却方式 Cooling Type	电机类型 Motor Type	转速 rpm	ASHRAE (-23.3/54.4/32.2°C)					认证 Certification	电机描述 Motor description	壳体高度 Shell height
						制冷量 Cooling Capacity			COP				
						W	Kcal/h	Btu/h	W/W	Btu/Wh			

R600a LBP 变频 DC Inverter
100V/220~240V/50~60Hz

V	DZ90V1Z	9.0	ST	BLDC	1320	69	59	235	1.93	6.59	-	AL	139
					1620	88	76	300	1.95	6.65			
					3000	172	148	587	1.90	6.48			
					4320	220	189	751	1.78	6.07			
V	DZ90V1V	9.0	ST	BLDC	1320	69	59	235	2.02	6.89	-	Cu	139
					1620	88	76	300	2.05	6.99			
					3000	172	148	587	1.98	6.76			
					4320	220	189	751	1.75	5.97			
A	DZ90A1U★	9.4	ST	BLDC	1020	60	52	205	1.71	5.84	-	Al	122
					1620	98	85	334	1.95	6.66			
					2280	140	122	477	2.02	6.89			
					2520	151	131	515	1.98	6.76			
					3000	176	153	600	1.97	6.72			
V	DZ100V1C	10.0	ST	BLDC	1320	82	71	280	1.88	6.41	CCC	Al	120
					1620	101	87	345	1.90	6.48			
					3000	180	155	614	1.85	6.31			
					4320	250	215	853	1.69	5.77			
V	DZ100V1Z	10.0	ST	BLDC	1320	82	71	280	1.92	6.55	-	Al	139
					1620	101	87	345	1.95	6.65			
					3000	180	155	614	1.90	6.48			
					4320	250	215	853	1.69	5.77			
V	DZ100V1V	10.0	ST	BLDC	1320	81	70	276	2.02	6.89	-	Cu	139
					1620	99	85	338	2.05	6.99			
					3000	180	155	614	1.98	6.76			
					4320	258	222	880	1.75	5.97			
V	DZ120V1C	12.0	ST	BLDC	1320	86	74	293	1.76	6.01	CCC	Al	120
					1620	108	93	368	1.81	6.18			
					3000	210	181	717	1.78	6.07			
					4320	265	228	904	1.65	5.63			
V	DZ120V1B	12.0	ST	BLDC	1320	86	74	293	1.85	6.31	-	Al	139
					1620	108	93	368	1.90	6.48			
					3000	210	181	717	1.88	6.41			
					4320	265	228	904	1.70	5.80			
V	DZ120V1Z	12.0	ST	BLDC	1320	86	74	293	1.92	6.55	-	Al	139
					1620	108	93	368	1.95	6.65			
					3000	210	181	717	1.90	6.48			
					4320	265	228	904	1.70	5.80			
V	DZ120V1U	12.0	ST	BLDC	1320	86	74	293	1.95	6.65	UL/TUV	Cu	145
					1620	108	93	368	2.02	6.89			
					3000	210	181	717	1.90	6.48			
					4320	265	228	904	1.75	5.97			
V	DZ120V1V	12.0	ST	BLDC	1320	86	74	293	2.02	6.89	-	Cu	139
					1620	108	93	368	2.05	6.99			
					3000	210	181	717	1.98	6.76			
					4320	265	228	904	1.75	5.97			
V	DZ150V1Y★	15.0	ST	BLDC	1320	110	95	375	1.83	6.24	-	AL	145
					1620	145	125	495	1.88	6.41			
					3000	270	232	921	1.75	5.97			
					4320	340	292	1160	1.60	5.46			

R600a LBP 变频 DC Inverter
100V/220~240V/50~60Hz

V	DA65V1B	6.5	ST	BLDC	1320	125	107	427	1.62	5.53	-	AL	145
					1620	175	150	597	1.70	5.80			
					3000	315	271	1075	1.60	5.46			
					3900	405	348	1382	1.52	5.19			
					4320	440	378	1501	1.52	5.19			
V	DA50V1Z	5.0	ST	BLDC	1320	98	84	334	1.78	6.07	-	Cu	145
					1620	135	116	461	1.85	6.31			
					3000	245	211	836	1.75	5.97			
					3900	315	271	1075	1.68	5.73			
					4320	345	297	1177	1.60	5.46			
V	DA75V1Z	7.5	ST	BLDC	1320	165	142	563	1.78	6.07	-	Cu	145
					1620	210	181	717	1.82	6.21			
					3000	390	335	1331	1.70	5.80			
					3900	505	434	1723	1.60	5.46			
					4320	540	464	1842	1.55	5.29			

备注：★为正在开发中压缩机



R600a高效变频冰箱用压缩机
R600a INVERTER REFRIGERATOR COMPRESSOR

- 1、高效变频电机设计；
- 2、超宽电压和转速运行范围；
- 3、满足高端变频冰箱节能静音要求。

The efficient variable-frequency motors with ultra-wide range of voltage and rotating speed can meet the requirements for energy conservation and silence of high-end variable-frequency refrigerators.

系列 Series	Model 机型	Displ. (cm ³) 气缸容积	Cooling Type 冷却方式	Motor Type 电机类型	Power frequency 电源频率	ASHRAE (-23.3/54.4/32.2°C)					认证 Certification	电机描述 Motor description	壳体高度 Shell height
						制冷量 Cooling Capacity			COP				
						W	Kcal/h	Btu/h	W/W	Btu/Wh			

R600a LBP
220V~240V/50Hz

Y	SZ35Y1M	3.5	ST	RSIR	220V~240V/50Hz	50	43	171	1.15	3.92	CB	AI	142
	SZ35Y1K	3.5	ST	RSIR	220V~240V/50Hz	50	43	171	1.25	4.27	-	AI	142
	SZ35Y1H	3.5	ST	RSIR	220V~240V/50Hz	50	43	171	1.40	4.78	-	AI	154
E	PZ35E1G	3.5	ST	RSCR	220V~240V/50Hz	50	43	171	1.45	4.95	-	AI	164
Y	SZ40Y1K	4.0	ST	RSIR	220V~240V/50Hz	60	52	205	1.25	4.27	-	AI	142
E	PZ40E1C	4.0	ST	RSCR	220V~240V/50Hz	60	52	205	1.63	5.56	VDE/CB	AI	169
Y	SZ45Y1J	4.5	ST	RSIR	220V~240V/50Hz	74	64	252	1.35	4.61	-	AI	142
	SZ45Y1M	4.5	ST	RSIR	220V~240V/50Hz	70	60	239	1.20	4.09	-	AI	142
E	SZ45E1K	4.5	ST	RSIR	220V~240V/50Hz	70	60	239	1.27	4.33	CCC/VDE/	AI	159
Y	SZ45Y1H	4.5	ST	RSIR	220V~240V/50Hz	70	60	239	1.40	4.78	-	AI	154
	SZ45Y1G	4.5	ST	RSIR	220V~240V/50Hz	74	64	252	1.45	4.95	-	AI	154
F	PZ45F1C	4.5	ST	RSCR	220V~240V/50Hz	70	60	239	1.63	5.56	-	AI	162
E	PZ45E1C	4.5	ST	RSCR	220V~240V/50Hz	71	61	242	1.65	5.63	CCC/VDE/	AI	169
H	KZ45H1U	4.5	ST	CSR	220V~240V/50Hz	77	66	263	1.90	6.48	-	Cu	178
	PZ45H1X	4.5	ST	RSCR	220V~240V/50Hz	80	69	273	1.90	6.48	-	AI	178
Y	SZ50Y1M	5.0	ST	RSIR	220V~240V/50Hz	80	69	273	1.25	4.27	-	AI	142
F	SZ50F1E	5.0	ST	RSIR	220V~240V/50Hz	82	71	280	1.55	5.29	-	AI	162
	PZ50F1D	5.0	ST	RSCR	220V~240V/50Hz	82	71	280	1.60	5.46	-	AI	162
E	PZ50E1B	5.0	ST	RSCR	220V~240V/50Hz	82	71	280	1.73	5.90	CCC/VDE/	AI	174
H	PZ50H1X	5.0	ST	RSCR	220V~240V/50Hz	87	75	297	1.87	6.38	CCC/VDE	AI	178
	PZ50H1W	5.0	ST	RSCR	220V~240V/50Hz	85	73	290	1.96	6.69	VDE	Cu	178
	KZ50H1U	5.0	ST	CSR	220V~240V/50Hz	95	82	324	2.00	6.82	-	Cu	178
Y	SZ55Y1J	5.5	ST	RSIR	220V~240V/50Hz	85	73	290	1.25	4.27	-	AI	142
F	SZ55F1E	5.5	ST	RSIR	220V~240V/50Hz	88	76	300	1.55	5.29	-	AI	162
	PZ55F1D	5.5	ST	RSCR	220V~240V/50Hz	88	76	300	1.60	5.46	-	AI	162

系列 Series	Model 机型	Displ. (cm ³) 气缸容积	Cooling Type 冷却方式	Motor Type 电机类型	Power frequency 电源频率	ASHRAE (-23.3/54.4/32.2°C)					认证 Certification	电机描述 Motor description	壳体高度 Shell height
						制冷量 Cooling Capacity			COP				
						W	Kcal/h	Btu/h	W/W	Btu/Wh			

R600a LBP
220V~240V/50Hz

H	PZ55H1C	5.5	ST	RSCR	220V~240V/50Hz	98	84	334	1.69	5.77	CCC	AI	170
	PZ55H1X	5.5	ST	RSCR	220V~240V/50Hz	100	86	341	1.88	6.41	CCC/VDE	AI	178
	PZ55H1V	5.5	ST	RSCR	220V~240V/50Hz	95	82	324	1.93	6.59	-	Cu	178
	PZ55H1W	5.5	ST	RSCR	220V~240V/50Hz	95	82	324	1.97	6.72	CCC	AI	178
	KZ55H1U	5.5	ST	CSR	220V~240V/50Hz	100	86	341	2.05	6.99	CCC	Cu	178
Y	SZ59Y1M	5.9	ST	RSIR	220V~240V/50Hz	96	83	328	1.25	4.27	CCC	AI	142
	SZ59Y1H	5.9	ST	RSIR	220V~240V/50Hz	96	83	328	1.40	4.78	-	AI	154
	SZ59Y1G	5.9	ST	RSIR	220V~240V/50Hz	96	83	328	1.45	4.95	-	AI	154
F	SZ59F1E	5.9	ST	RSIR	220V~240V/50Hz	96	83	328	1.52	5.19	-	AI	162
Y	PZ59Y1D	5.9	ST	RSCR	220V~240V/50Hz	96	83	328	1.58	5.39	CCC	AI	154
F	PZ59F1C	5.9	ST	RSCR	220V~240V/50Hz	96	83	328	1.64	5.60	-	AI	162
	PZ59F1B	5.9	ST	RSCR	220V~240V/50Hz	96	83	328	1.68	5.73	-	AI	162
E	PZ59E1A	5.9	ST	RSCR	220V~240V/50Hz	99	85	338	1.73	5.90	CCC/VDE/	AI	178
	PZ59E1Z	5.9	ST	RSCR	220V~240V/50Hz	98	84	334	1.76	6.01	CCC/VDE/	AI	178
	PZ59E1Y	5.9	ST	RSCR	220V~240V/50Hz	99	85	338	1.80	6.14	CCC	AI	178
H	PZ59H1Y	5.9	ST	RSCR	220V~240V/50Hz	100	86	341	1.85	6.31	CCC/VDE	AI	178
E	SZ65E1E	6.5	ST	RSIR	220V~240V/50Hz	115	99	392	1.55	5.29	CCC	AI	164
	PZ65E1B	6.5	ST	RSCR	220V~240V/50Hz	116	100	396	1.67	5.70	CCC/VDE	AI	169
	PZ65E1A	6.5	ST	RSCR	220V~240V/50Hz	116	100	396	1.75	5.97	CCC/VDE	AI	169
	PZ65E1Z	6.5	ST	RSCR	220V~240V/50Hz	116	100	396	1.78	6.07	-	AI	169
H	PZ65H1Z	6.5	ST	RSCR	220V~240V/50Hz	116	100	396	1.83	6.24	CCC/VDE	AI	170
	PZ65H1Y	6.5	ST	RSCR	220V~240V/50Hz	118	101	403	1.86	6.35	CCC/VDE	AI	178
	PZ65H1X	6.5	ST	RSCR	220V~240V/50Hz	118	101	403	1.90	6.48	CCC/VDE	AI	178
	PZ65H1W	6.5	ST	RSCR	220V~240V/50Hz	118	101	403	1.94	6.62	CCC	Cu	178

系列 Series	Model 机型	Displ. (cm ³) 气缸容积	Cooling Type 冷却方式	Motor Type 电机类型	Power frequency 电源频率	ASHRAE (-23.3/54.4/32.2°C)					Certification 认证	Motor description 电机描述	Shell height 壳体高度
						Cooling Capacity 制冷量			COP				
						W	Kcal/h	Btu/h	W/W	Btu/Wh			

系列 Series	Model 机型	Displ. (cm ³) 气缸容积	Cooling Type 冷却方式	Motor Type 电机类型	Power frequency 电源频率	ASHRAE (-23.3/54.4/32.2°C)					Certification 认证	Motor description 电机描述	Shell height 壳体高度
						Cooling Capacity 制冷量			COP				
						W	Kcal/h	Btu/h	W/W	Btu/Wh			

R600a LBP
220V~240V/50Hz

H	PZ65H1V	6.5	ST	RSCR	220V~240V/50Hz	117	101	399	2.00	6.82	-	Cu	178
	KZ65H1U	6.5	ST	CSR	220V~240V/50Hz	118	101	403	2.05	6.99	VDE	Cu	178
E	SZ70E1H	7.0	ST	RSIR	220V~240V/50Hz	120	103	409	1.37	4.67	CCC	Al	159
	PZ70E1H	7.0	ST	RSCR	220V~240V/50Hz	120	103	409	1.48	5.05	CCC/VDE	Al	164
	PZ70E1D	7.0	ST	RSCR	220V~240V/50Hz	120	103	409	1.58	5.39	CCC	Al	164
	PZ70E1C	7.0	ST	RSCR	220V~240V/50Hz	120	103	409	1.63	5.56	CCC	Al	169
	PZ70E1B	7.0	ST	RSCR	220V~240V/50Hz	122	105	416	1.68	5.73	CCC	Al	174
	PZ70E1A	7.0	ST	RSCR	220V~240V/50Hz	122	105	416	1.73	5.90	-	Al	178
	PZ70E1Z	7.0	ST	RSCR	220V~240V/50Hz	120	103	409	1.78	6.07	-	Al	178
	PZ70E1Y	7.0	ST	RSCR	220V~240V/50Hz	120	103	409	1.83	6.24	-	Al	178
	PZ75E1B	7.5	ST	RSCR	220V~240V/50Hz	135	116	461	1.70	5.80	CCC/VDE	Al	174
	PZ75E1Z	7.5	ST	RSCR	220V~240V/50Hz	140	120	478	1.75	5.97	-	Al	178
H	PZ75H1X	7.5	ST	RSCR	220V~240V/50Hz	137	118	467	1.87	6.38	CCC/VDE	Al	178
	PZ75H1W	7.5	ST	RSCR	220V~240V/50Hz	137	118	467	1.95	6.65	CCC/VDE	Al	178
E	SZ80E1J	8.0	ST	RSIR	220V~240V/50Hz	135	116	461	1.35	4.61	CCC/TUV	Al	159
	SZ80E1H	8.0	ST	RSIR	220V~240V/50Hz	137	118	467	1.43	4.88	CCC/VDE	Al	164
H	SZ80H1H	8.0	ST	RSIR	220V~240V/50Hz	148	127	505	1.45	4.95	-	Al	170
E	PZ80E1F	8.0	ST	RSCR	220V~240V/50Hz	137	118	467	1.53	5.22	CCC/VDE	Al	164
	PZ80E1D	8.0	ST	RSCR	220V~240V/50Hz	142	122	485	1.60	5.46	CCC/VDE	Al	164
	PZ80E1C	8.0	ST	RSCR	220V~240V/50Hz	147	126	502	1.65	5.63	CCC/VDE	Al	169
	PZ80E1A	8.0	ST	RSCR	220V~240V/50Hz	147	126	502	1.73	5.90	CCC/VDE	Al	174
	PZ80E1Z	8.0	ST	RSCR	220V~240V/50Hz	148	127	505	1.78	6.07	-	Al	178
H	PZ80H1Z	8.0	ST	RSCR	220V~240V/50Hz	152	131	519	1.80	6.14	-	Al	178
	PZ80H1Y	8.0	ST	RSCR	220V~240V/50Hz	150	129	512	1.83	6.24	CCC/VDE	Al	170

R600a LBP
220V~240V/50Hz

H	PZ80H1X	8.0	ST	RSCR	220V~240V/50Hz	147	126	502	1.88	6.41	-	Al	170
	PZ80H1V	8.0	ST	RSCR	220V~240V/50Hz	150	129	512	1.93	6.59	-	Cu	178
	PZ80H1W	8.0	ST	RSCR	220V~240V/50Hz	147	126	502	1.97	6.72	-	Cu	178
E	KZ80H1U	8.0	ST	CSR	220V~240V/50Hz	150	129	512	2.05	6.99	-	Cu	178
	SZ85E1H	8.5	ST	RSIR	220V~240V/50Hz	155	133	529	1.45	4.95	-	Al	174
	PZ85E1C	8.5	ST	RSCR	220V~240V/50Hz	155	133	529	1.65	5.63	CCC/VDE	Al	174
H	PZ85E1A	8.5	ST	RSCR	220V~240V/50Hz	155	133	529	1.74	5.94	-	Al	178
	PZ85H1H	8.5	ST	RSCR	220V~240V/50Hz	165	142	563	1.55	5.29	CCC/VDE	Al	164
	PZ85H1B	8.5	ST	RSCR	220V~240V/50Hz	165	142	563	1.70	5.80	CCC/VDE	Al	170
E	PZ85H1X	8.5	ST	RSCR	220V~240V/50Hz	165	142	563	1.90	6.48	VDE	Al	178
	SZ90E1J	9.0	ST	RSIR	220V~240V/50Hz	160	138	546	1.36	4.64	CCC	Al	169
	SZ90E1H	9.0	ST	RSIR	220V~240V/50Hz	162	139	553	1.45	4.95	CCC/VDE /CB	Al	169
	PZ90E1C	9.0	ST	RSCR	220V~240V/50Hz	165	142	563	1.65	5.63	CCC/VDE /CB	Al	174
	PZ90E1B	9.0	ST	RSCR	220V~240V/50Hz	165	142	563	1.68	5.73	CCC/VDE	Al	174
H	PZ90E1A	9.0	ST	RSCR	220V~240V/50Hz	165	142	563	1.73	5.90	CCC/VDE /CB	Al	178
	PZ90E1Z	9.0	ST	RSCR	220V~240V/50Hz	164	141	560	1.78	6.07	CCC	Al	178
	PZ90H1Z	9.0	ST	RSCR	220V~240V/50Hz	170	146	580	1.78	6.07	CCC/VDE	Al	170
	PZ90H1Y	9.0	ST	RSCR	220V~240V/50Hz	170	146	580	1.88	6.41	CCC/VDE	Al	178
	PZ90H1X	9.0	ST	RSCR	220V~240V/50Hz	170	146	580	1.90	6.48	CCC/VDE	Al	178
E	PZ90H1W	9.0	ST	RSCR	220V~240V/50Hz	170	146	580	1.94	6.62	-	Al	178
	PZ90H1V	9.0	ST	RSCR	220V~240V/50Hz	167	144	570	1.98	6.76	-	Cu	184
H	SZ99H1H	9.9	ST	RSIR	220V~240V/50Hz	185	159	631	1.49	5.08	CCC/VDE	Al	170
E	SZ99E1H	9.9	ST	RSIR	220V~240V/50Hz	184	158	628	1.50	5.12	CCC/VDE	Al	174
H	PZ99H1C	9.9	ST	RSCR	220V~240V/50Hz	185	159	631	1.65	5.63	CCC/VDE	Al	170
E	PZ99E1Z	9.9	ST	RSCR	220V~240V/50Hz	179	154	611	1.78	6.07	-	Al	178

产品性能参数

系列 Series	型号 Model	气缸容积 Displ. (cm ³)	冷却方式 Cooling Type	电机类型 Motor Type	电源频率 Power frequency	ASHRAE (-23.3/54.4/32.2°C)					认证 Certification	电机描述 Motor description	壳体高度 Shell height
						制冷量 Cooling Capacity			COP				
						W	Kcal/h	Btu/h	W/W	Btu/Wh			

R600a LBP
220V~240V/50Hz

H	PZ99H1Z	9.9	ST	RSCR	220V~240V/50Hz	185	159	631	1.83	6.24	-	Al	178
	PZ99H1Y	9.9	ST	RSCR	220V~240V/50Hz	185	159	631	1.88	6.41	CCC/VDE	Al	178
	PZ99H1X	9.9	ST	RSCR	220V~240V/50Hz	185	159	631	1.90	6.48	CCC	Cu	178
	PZ110H1D	11.0	ST	RSCR	220V~240V/50Hz	193	166	659	1.62	5.53	CCC/VDE	Al	178
	PZ110H1A	11.0	ST	RSCR	220V~240V/50Hz	193	166	659	1.79	6.11	CCC/VDE	Al	178
	PZ110H1Y	11.0	ST	RSCR	220V~240V/50Hz	193	166	659	1.85	6.31	CCC/VDE	Al	178
	PZ110H1W	11.0	ST	RSCR	220V~240V/50Hz	193	166	659	1.92	6.55	CCC/VDE	Cu	178
E	PZ120E1D	12.0	ST	RSCR	220V~240V/50Hz	200	172	682	1.59	5.43	-	Al	178
H	PZ120H1A	12.0	ST	RSCR	220V~240V/50Hz	210	181	717	1.75	5.97	CCC/VDE	Al	178
	PZ120H1Y	12.0	ST	RSCR	220V~240V/50Hz	210	181	717	1.85	6.31	CCC/VDE	Al	178
	PZ120H1W	12.0	ST	RSCR	220V~240V/50Hz	210	181	717	1.92	6.55	-	Cu	178
	PZ130H1D	13.0	ST	RSCR	220V~240V/50Hz	230	198	785	1.62	5.53	VDE	Al	187
	PZ130H1C	13.0	ST	RSCR	220V~240V/50Hz	230	198	785	1.74	5.94	-	Al	187
	PZ130H1Y	13.0	ST	RSCR	220V~240V/50Hz	230	198	785	1.85	6.31	CCC/VDE	Cu	187
	PZ130H1X	13.0	ST	RSCR	220V~240V/50Hz	236	203	805	1.88	6.41	CCC	Cu	178
	PZ140H1Y	14.0	ST	RSCR	220V~240V/50Hz	245	211	836	1.85	6.31	-	Cu	187
	PZ150H1D	15.0	ST	RSCR	220V~240V/50Hz	270	232	921	1.60	5.46	CCC	Al	187
	PZ150H1A	15.0	ST	RSCR	220V~240V/50Hz	265	228	904	1.74	5.94	-	Cu	187
PZ150H1Z	15.0	ST	RSCR	220V~240V/50Hz	270	232	921	1.83	6.24	-	Cu	187	

R600a LBP
220V~240V/60Hz

Y	SZ45Y1M-N	4.5	ST	RSIR	220V~240V/60Hz	85	73	290	1.25	4.27	-	Al	142
E	SZ45E1H-N	4.5	ST	RSIR	220V~240V/60Hz	80	69	273	1.40	4.78	-	Al	159
	PZ50E1D-N	5.0	ST	RSCR	220V~240V/60Hz	92	79	314	1.68	5.73	CB	Al	169

系列 Series	型号 Model	气缸容积 Displ. (cm ³)	冷却方式 Cooling Type	电机类型 Motor Type	电源频率 Power frequency	ASHRAE (-23.3/54.4/32.2°C)					认证 Certification	电机描述 Motor description	壳体高度 Shell height
						制冷量 Cooling Capacity			COP				
						W	Kcal/h	Btu/h	W/W	Btu/Wh			

R600a LBP
220V~240V/60Hz

E	SZ59E1J-N	5.9	ST	RSIR	220V~240V/60Hz	110	95	375	1.30	4.44	-	Al	159	
	SZ59E1F-N	5.9	ST	RSIR	220V~240V/60Hz	110	95	375	1.52	5.19	CB	Al	169	
	PZ59E1C-N	5.9	ST	RSCR	220V~240V/60Hz	115	99	392	1.70	5.80	CB	Al	174	
	PZ70E1C-N	7.0	ST	RSCR	220V~240V/60Hz	140	120	478	1.65	5.63	-	Al	175	
	SZ75E1M-N	7.5	ST	RSIR	220V~240V/60Hz	150	129	512	1.25	4.27	-	Al	159	
	SZ75E1E-N	7.5	ST	RSIR	220V~240V/60Hz	150	129	512	1.55	5.29	CB	Al	169	
	PZ75E1A-N	7.5	ST	RSCR	220V~240V/60Hz	150	129	512	1.75	5.97	-	Al	175	
	PZ75E1C-N	7.5	ST	RSCR	220V~240V/60Hz	152	131	519	1.65	5.63	CB	Al	175	
	SZ90E1H-N	9.0	ST	RSIR	220V~240V/60Hz	182	156	621	1.44	4.91	CB	Al	169	
	PZ90E1C-N	9.0	ST	RSCR	220V~240V/60Hz	185	159	631	1.64	5.60	-	Al	178	
	SZ99E1H-N	9.9	ST	RSIR	220V~240V/60Hz	200	172	682	1.40	4.78	-	Al	178	
	H	KZ150H1Z-N	15.0	ST	CSR	220V~240V/60Hz	310	267	1058	1.78	6.07	CB	Cu	178

R600a LBP
220V~240V/50Hz & 208V~240V/60Hz

H	PZ55H1Z-M	220V~240V/50Hz	100	86	341	1.76	6.01	CB	Al	178		
		208V~240V/60Hz	116	100	396	1.81	6.18	CB	Al	178		
	PZ55H1W-M	220V~240V/50Hz	100	86	341	1.90	6.48	CB	Cu	178		
		208V~240V/60Hz	116	100	396	1.95	6.65	CB	Cu	178		
	PZ80E1D-3	220V~240V/50Hz	148	127	505	1.60	5.46	CB	Al	164		
		208V~240V/60Hz	170	146	580	1.70	5.80	CB	Al	164		
	PZ80H1Y-3	220V~240V/50Hz	150	129	512	1.82	6.21	-	Al	178		
		208V~240V/60Hz	174	150	594	1.84	6.28	-	Al	178		
	PZ90H1Y-3	220V~240V/50Hz	170	146	580	1.82	6.21	CB	Al	178		
		208V~240V/60Hz	192	165	655	1.82	6.21	CB	Al	178		
	PZ99H1Y-3	220V~240V/50Hz	188	162	641	1.83	6.24	CB	Al	178		
		208V~240V/60Hz	220	189	751	1.85	6.31	CB	Al	178		
	PZ130H1A-M	220V~240V/50Hz	235	202	802	1.69	5.77	CB	Cu	187		
		208V~240V/60Hz	270	232	921	1.80	6.14	CB	Cu	187		
	PZ110H1B-P	11.0	ST	RSCR	208V~240V/60Hz	230	198	785	1.74	5.94	-	Al
PZ130H1D-P	13.0	ST	RSCR	208V~240V/60Hz	270	232	921	1.60	5.46	-	Al	178

产品性能参数

系列 Series	机型 Model	气缸容积 Displ. (cm ³)	冷却方式 Cooling Type	电机类型 Motor Type	电源频率 Power frequency	ASHRAE (-23.3/54.4/32.2°C)					认证 Certification	电机描述 Motor description	壳体高度 Shell height
						制冷量 Cooling Capacity			COP				
						W	Kcal/h	Btu/h	W/W	Btu/Wh			

R600a LBP

220V~240V/50Hz (宽电压 wide voltage)

E	SZ50E1M-9	5.0	ST	RSIR	220V/50Hz	85	73	290	1.37	4.67	CB	AI	169
H	PZ50H1A-9	5.0	ST	RSCR	220V/50Hz	85	73	290	1.75	5.97	CB	AI	178
	PZ55H1Y-9	5.5	ST	RSCR	220V/50Hz	100	86	341	1.83	6.24	-	AI	178
E	SZ59E1H-9	5.9	ST	RSIR	220V/50Hz	95	82	324	1.30	4.44	-	AI	164
	SZ59E1J-9	5.9	ST	RSIR	220V/50Hz	95	82	324	1.40	4.78	CB	AI	169
F	PZ59F1C-9	5.9	ST	RSCR	220V/50Hz	96	83	328	1.58	5.39	-	AI	162
E	PZ59E1D-9	5.9	ST	RSCR	220V/50Hz	98	84	334	1.60	5.46	CB	AI	174
	PZ65E1E-9	6.5	ST	RSCR	220V/50Hz	108	93	368	1.55	5.29	-	AI	174
	SZ65E1J-9	6.5	ST	RSIR	220V/50Hz	112	96	382	1.35	4.61	CB	AI	169
H	PZ65E1C-9	6.5	ST	RSCR	220V/50Hz	115	99	392	1.65	5.63	CB	AI	174
	PZ65H1A-9	6.5	ST	RSCR	220V/50Hz	115	99	392	1.72	5.87	CB	AI	178
	PZ65H1Y-9	6.5	ST	RSCR	220V/50Hz	115	99	392	1.77	6.04	-	AI	178
H	PZ65H1X-9	6.5	ST	RSCR	220V/50Hz	116	100	396	1.88	6.41	CB	Cu	178
	PZ70E1C-9	7.0	ST	RSCR	220V/50Hz	120	103	409	1.60	5.46	-	AI	174
E	SZ70E1G-9	7.0	ST	RSIR	220V/50Hz	122	105	416	1.45	4.95	CB	AI	174
	PZ75E1C-9	7.5	ST	RSCR	220V/50Hz	131	113	447	1.64	5.60	-	AI	174
H	PZ75H1Y-9	7.5	ST	RSCR	220V/50Hz	145	125	495	1.83	6.24	-	AI	178
E	PZ80E1D-9	8.0	ST	RSCR	220V/50Hz	145	125	495	1.65	5.63	-	Cu	174
H	SZ80H1H-9	8.0	ST	RSIR	220V/50Hz	146	126	498	1.39	4.74	-	AI	164
	PZ80H1Y-9	8.0	ST	RSCR	220V/50Hz	150	129	512	1.82	6.21	-	AI	178
E	SZ85E1H-9	8.5	ST	RSIR	220V/50Hz	155	133	529	1.45	4.95	-	AI	174
H	PZ90H1Z-9	9.0	ST	RSCR	220V/50Hz	162	139	553	1.78	6.07	CB	AI	178
E	SZ90E1G-9	9.0	ST	RSIR	220V/50Hz	165	142	563	1.50	5.12	CB	AI	174
	PZ90E1F-9	9.0	ST	RSCR	220V/50Hz	165	142	563	1.55	5.29	-	AI	174
H	PZ99H1E-9	9.9	ST	RSCR	220V/50Hz	178	153	607	1.52	5.19	-	AI	170
	SZ99H1H-9	9.9	ST	RSIR	220V/50Hz	180	155	614	1.45	4.95	-	AI	163.5
	PZ120H1B-9	12.0	ST	RSCR	220V/50Hz	210	181	717	1.72	5.87	-	AI	178

系列 Series	机型 Model	气缸容积 Displ. (cm ³)	冷却方式 Cooling Type	电机类型 Motor Type	电源频率 Power frequency	ASHRAE (-23.3/54.4/32.2°C)					认证 Certification	电机描述 Motor description	壳体高度 Shell height
						制冷量 Cooling Capacity			COP				
						W	Kcal/h	Btu/h	W/W	Btu/Wh			

R600a LBP

220V~240V/50~60Hz

E	SZ65E1H-4	220V~240V/50Hz	114	98	389	1.35	4.61	CB	AI	174
		220V~240V/60Hz	130	112	444	1.50	5.12			
	SZ70E1F-4	220V~240V/50Hz	119	102	406	1.52	5.19	-	AI	174
		220V~240V/60Hz	136	117	464	1.60	5.46			
E	SZ75E1H-4	220V~240V/50Hz	133	114	454	1.49	5.08	-	AI	174
		220V~240V/60Hz	151	130	515	1.62	5.53			
E	PZ75E1D-4	220V~240V/50Hz	135	116	461	1.58	5.39	CB	AI	174
		220V~240V/60Hz	155	133	529	1.70	5.80			
H	PZ80H1Z-4	220V~240V/50Hz	150	129	512	1.75	5.97	-	AI	178
		220V~240V/60Hz	174	150	594	1.83	6.24			
	SZ99H1H-4	220V~240V/50Hz	181	156	618	1.51	5.15	-	AI	178
		220V~240V/60Hz	211	181	720	1.65	5.63			
H	PZ99H1C-4	220V~240V/50Hz	182	156	621	1.62	5.53	CB	AI	178
		220V~240V/60Hz	213	183	727	1.73	5.90			

R600a LBP

115V/60Hz

Y	FZ35Y1M-U	3.5	ST	RSIR	115V/60Hz	65	56	222	1.20	4.09	UL	AI	154
E	FZ35E1H-U	3.5	ST	RSIR	115V/60Hz	63	54	215	1.40	4.78	UL	AI	164
Y	FZ40Y1M-U	4.0	ST	RSIR	115V/60Hz	68	58	232	1.20	4.09	-	AI	154
F	FZ40F1J-U	4.0	ST	RSIR	115V/60Hz	67	58	229	1.36	4.64	-	AI	157
E	FZ40E1G-U	4.0	ST	RSIR	115V/60Hz	70	60	239	1.48	5.05	-	AI	164
	EZ40E1D-U	4.0	ST	RSCR	115V/60Hz	68	58	232	1.60	5.46	UL	AI	164
	EZ40E1C-U	4.0	ST	RSCR	115V/60Hz	68	58	232	1.63	5.56	-	AI	174
	FZ45E1J-U	4.5	ST	RSIR	115V/60Hz	82	71	280	1.35	4.61	-	AI	159
	FZ50E1G-U	5.0	ST	RSIR	115V/60Hz	92	79	314	1.45	4.95	UL	AI	159
	FZ50E1E-U	5.0	ST	RSIR	115V/60Hz	92	79	314	1.55	5.29	UL	AI	174
	EZ50E1E-U	5.0	ST	RSCR	115V/60Hz	92	79	314	1.59	5.43	-	AI	159

产品性能参数

系列 Series	Model 机型	Displ. (cm ³) 气缸容积	Cooling Type 冷却方式	Motor Type 电机类型	Power frequency 电源频率	ASHRAE (-23.3/54.4/32.2°C)					Certification 认证	Motor description 电机描述	Shell height 壳体高度
						Cooling Capacity 制冷量			COP				
						W	Kcal/h	Btu/h	W/W	Btu/Wh			

R600a LBP
115V/60Hz

H	EZ50H1Z-U	5.0	ST	RSCR	115V/60Hz	98	84	334	1.80	6.14	-	Al	178
	FZ55H1D-U	5.5	ST	RSIR	115V/60Hz	115	99	392	1.64	5.60	UL	Al	170
	EZ55H1Y-U	5.5	ST	RSCR	115V/60Hz	115	99	392	1.82	6.21	UL	Al	178
	EZ55H1X-U	5.5	ST	RSCR	115V/60Hz	115	99	392	1.90	6.48	UL	Al	178
F	FZ59F1G-U	5.9	ST	RSIR	115V/60Hz	112	96	382	1.50	5.12	-	Al	162
E	FZ59E1H-U	5.9	ST	RSIR	115V/60Hz	110	95	375	1.45	4.95	UL	Al	164
	FZ59E1E-U	5.9	ST	RSIR	115V/60Hz	110	95	375	1.50	5.12	-	Al	169
	FZ59E1G-U	5.9	ST	RSIR	115V/60Hz	115	99	392	1.53	5.22	UL	Al	164
	FZ59E1F-U	5.9	ST	RSIR	115V/60Hz	112	96	382	1.55	5.29	UL	Al	169
	FZ59E1D-U	5.9	ST	RSIR	115V/60Hz	113	97	386	1.64	5.60	UL	Al	174
	EZ59E1C-U	5.9	ST	RSCR	115V/60Hz	110	95	375	1.65	5.63	UL	Al	164
	EZ59E1Z-U	5.9	ST	RSCR	115V/60Hz	110	86	341	1.78	6.07	UL	Cu	159
	H	FZ65H1D-U	6.5	ST	RSIR	115V/60Hz	136	117	464	1.62	5.53	UL	Al
E	EZ65E1C-U	6.5	ST	RSCR	115V/60Hz	134	115	457	1.65	5.63	UL	Al	174
H	EZ65H1A-U	6.5	ST	RSCR	115V/60Hz	137	118	467	1.75	5.97	-	Al	178
	EZ65H1Z-U	6.5	ST	RSCR	115V/60Hz	137	118	467	1.83	6.24	-	Al	178
	EZ65H1Y-U	6.5	ST	RSCR	115V/60Hz	137	118	467	1.87	6.38	UL	Al	178
	EZ65H1X-U	6.5	ST	RSCR	115V/60Hz	134	115	457	1.90	6.48	UL	Al	184
	EZ65H1W-U	6.5	ST	RSCR	115V/60Hz	137	118	467	1.92	6.55	-	Cu	178
E	EZ75E1B-U	7.5	ST	RSCR	115V/60Hz	153	132	522	1.68	5.73	UL	Al	174
	EZ75E1A-U	7.5	ST	RSCR	115V/60Hz	160	138	546	1.75	5.97	UL	Cu	164
H	EZ75H1Y-U	7.5	ST	RSCR	115V/60Hz	156	134	532	1.85	6.31	UL	Al	178
E	FZ80E1G-U	8.0	ST	RSIR	115V/60Hz	168	144	573	1.48	5.05	UL	Al	174
	EZ80E1C-U	8.0	ST	RSCR	115V/60Hz	170	146	580	1.65	5.63	UL	Al	174
	EZ80E1D-U	8.0	ST	RSCR	115V/60Hz	170	146	580	1.65	5.63	UL	Al	174

系列 Series	Model 机型	Displ. (cm ³) 气缸容积	Cooling Type 冷却方式	Motor Type 电机类型	Power frequency 电源频率	ASHRAE (-23.3/54.4/32.2°C)					Certification 认证	Motor description 电机描述	Shell height 壳体高度
						Cooling Capacity 制冷量			COP				
						W	Kcal/h	Btu/h	W/W	Btu/Wh			

R600a LBP
115V/60Hz

H	EZ80H1A-U	8.0	ST	RSCR	115V/60Hz	173	149	590	1.77	6.04	UL	Al	174
	EZ80H1Y-U	8.0	ST	RSCR	115V/60Hz	170	146	580	1.85	6.31	-	Al	178
	EZ80H1Z-U	8.0	ST	RSCR	115V/60Hz	175	150	597	1.88	6.41	UL	Cu	178
E	FZ85E1G-U	8.5	ST	RSIR	115V/60Hz	176	151	601	1.47	5.02	UL	Al	169
H	EZ85H1Z-U	8.5	ST	RSCR	115V/60Hz	185	159	631	1.85	6.31	-	Al	178
	FZ90H1H-U	9.0	ST	RSIR	115V/60Hz	190	163	648	1.40	4.78	-	Al	170
	EZ90H1A-U	9.0	ST	RSCR	115V/60Hz	195	168	665	1.75	5.97	-	Al	178
	EZ90H1Y-U	9.0	ST	RSCR	115V/60Hz	195	168	665	1.85	6.31	-	Cu	178
	EZ90H1W-U	9.0	ST	RSCR	115V/60Hz	195	168	665	1.95	6.65	-	Cu	178
	FZ99H1D-U	9.9	ST	RSIR	115V/60Hz	209	180	713	1.65	5.63	UL	Al	185
	EZ99H1Y-U	9.9	ST	RSCR	115V/60Hz	214	184	730	1.83	6.24	UL	Al	185
	EZ130H1Z-U	13.0	ST	RSCR	115V/60Hz	270	232	921	1.78	6.07	-	Cu	178
	CZ140H1A-U	14.0	ST	CSR	115V/60Hz	285	245	972	1.71	5.83	CB	Cu	178

R600a LBP
100V/50~60Hz

E	FZ40E1J-J	4.0	ST	RSIR	100V/50Hz	56	48	191	1.16	3.96	-	Al	159
					100V/60Hz	65	56	222	1.35	4.61			
F	FZ45F1H-J	4.5	ST	RSIR	100V/50Hz	65	56	222	1.26	4.30	-	Al	157
					100V/60Hz	88	76	300	1.45	4.95			
E	FZ45E1H-J	4.5	ST	RSIR	100V/50Hz	71	61	242	1.20	4.09	-	Al	159
					100V/60Hz	82	71	280	1.40	4.78			
	FZ59E1F-J	5.9	ST	RSIR	100V/50Hz	95	82	324	1.29	4.40	-	Al	169
					100V/60Hz	113	97	386	1.55	5.29			
	EZ59E1C-J	5.9	ST	RSCR	100V/50Hz	95	82	324	1.36	4.64	-	Al	164
					100V/60Hz	110	95	375	1.60	5.46			
	FZ59E1C-J	5.9	ST	RSIR	100V/50Hz	95	82	324	1.38	4.71	-	Al	164
					100V/60Hz	113	97	386	1.65	5.63			
	EZ59E1A-J	5.9	ST	RSCR	100V/50Hz	95	82	324	1.51	5.15	-	Al	164
					100V/60Hz	110	95	375	1.75	5.97			
EZ59E1Z-J	5.9	ST	RSCR	100V/50Hz	95	82	324	1.55	5.29	-	Al	178	
				100V/60Hz	110	95	375	1.78	6.07				

产品性能参数

系列 Series	Model 机型	Displ. (cm ³) 气缸容积	Cooling Type 冷却方式	Motor Type 电机类型	Power frequency 电源频率	ASHRAE (-23.3/54.4/32.2°C)					Certification 认证	Motor description 电机描述	Shell height 壳体高度
						Cooling Capacity 制冷量			COP				
						W	Kcal/h	Btu/h	W/W	Btu/Wh			

R600a LBP
100V/50~60Hz

Series	Model	Displ.	Cooling Type	Motor Type	Power frequency	ASHRAE (-23.3/54.4/32.2°C)					Certification	Motor description	Shell height
						W	Kcal/h	Btu/h	W/W	Btu/Wh			
E	FZ65E1F-J	6.5	ST	RSIR	100V/50Hz	112	96	382	1.29	4.40	-	Al	169
					100V/60Hz	133	114	454	1.50	5.12			
	FZ65E1E-J	6.5	ST	RSIR	100V/50Hz	112	96	382	1.34	4.57	-	Cu	169
					100V/60Hz	133	114	454	1.58	5.39			
	EZ65E1B-J	6.5	ST	RSCR	100V/50Hz	110	95	375	1.60	5.46	-	Al	169
					100V/60Hz	132	113	450	1.70	5.80			
	EZ65E1A-J	6.5	ST	RSCR	100V/50Hz	110	95	375	1.68	5.73	-	Al	174
					100V/60Hz	132	113	450	1.75	5.97			
	FZ75E1F-J	7.5	ST	RSIR	100V/50Hz	127	109	433	1.40	4.78	-	Al	169
					100V/60Hz	150	129	512	1.50	5.12			
	EZ75E1D-J	7.5	ST	RSCR	100V/50Hz	134	115	457	1.42	4.85	-	Cu	164
					100V/60Hz	155	133	529	1.65	5.63			
EZ75E1A-J	7.5	ST	RSCR	100V/50Hz	134	115	457	1.48	5.05	-	Al	164	
				100V/60Hz	155	133	529	1.72	5.87				
FZ80E1H-J	8.0	ST	RSIR	100V/50Hz	137	118	467	1.20	4.09	-	Al	174	
				100V/60Hz	168	144	573	1.40	4.78				
FZ80E1F-J	8.0	ST	RSIR	100V/50Hz	137	118	467	1.40	4.78	-	Al	174	
				100V/60Hz	168	144	573	1.50	5.12				
EZ80E1C-J	8.0	ST	RSCR	100V/50Hz	137	118	467	1.60	5.46	-	Al	174	
				100V/60Hz	168	144	573	1.65	5.63				
H	FZ80H1C-J	8.0	ST	RSIR	100V/50Hz	150	129	512	1.67	5.70	-	Al	178
					100V/60Hz	170	146	580	1.70	5.80			
	EZ80H1Y-J	8.0	ST	RSCR	100V/50Hz	146	126	498	1.82	6.21	-	Cu	178
					100V/60Hz	168	144	573	1.86	6.35			
	FZ90H1F-J	9.0	ST	RSIR	100V/50Hz	170	146	580	1.40	4.78	-	Al	170
					100V/60Hz	190	163	648	1.50	5.12			
	FZ99H1D-J	9.9	ST	RSIR	100V/50Hz	178	153	607	1.56	5.32	-	Al	178
					100V/60Hz	209	180	713	1.63	5.56			
	FZ120H1H-J	12.0	ST	RSIR	100V/50Hz	202	174	689	1.52	5.19	-	Al	178
					100V/60Hz	239	205	815	1.69	5.77			
					100V/50Hz	210	181	717	1.50	5.12			
					100V/60Hz	239	205	815	1.69	5.77			

R600a LBP
127V/60Hz

Series	Model	Displ.	Cooling Type	Motor Type	Power frequency	W	Kcal/h	Btu/h	W/W	Btu/Wh	Certification	Motor description	Shell height
E	FZ50E1F-B	5.0	ST	RSIR	127V/60Hz	92	79	314	1.45	4.95	CB	Al	165
	FZ75E1F-B	7.5	ST	RSIR	127V/60Hz	155	133	529	1.50	5.12	-	Al	169
	FZ80E1F-B	8.0	ST	RSIR	127V/60Hz	165	142	563	1.47	5.02	-	Al	169
H	EZ110H1B-B	11.0	ST	RSCR	127V/60Hz	225	193	768	1.70	5.80	CB	Al	178
	EZ130H1B-B	13.0	ST	RSCR	127V/60Hz	270	232	921	1.70	5.80	-	Al	178

系列 Series	Model 机型	Displ. (cm ³) 气缸容积	Cooling Type 冷却方式	Motor Type 电机类型	Power frequency 电源频率	ASHRAE (-23.3/54.4/32.2°C)					Certification 认证	Motor description 电机描述	Shell height 壳体高度
						Cooling Capacity 制冷量			COP				
						W	Kcal/h	Btu/h	W/W	Btu/Wh			

R134a LBP
220V~240V/50Hz

Series	Model	Displ.	Cooling Type	Motor Type	Power frequency	W	Kcal/h	Btu/h	W/W	Btu/Wh	Certification	Motor description	Shell height
H	PE45H1C	4.5	ST	RSCR	220V~240V/50Hz	130	112	444	1.65	5.63	CB	Al	178
	PE50H1J	5.0	ST	RSCR	220V~240V/50Hz	157	135	536	1.30	4.44	-	Al	178
E	SE50E1H	5.0	ST	RSIR	220V~240V/50Hz	138	119	471	1.35	4.61	CB	Al	175
	PE50E1H	5.0	ST	RSCR	220V~240V/50Hz	141	121	481	1.45	4.95	CB	Al	175
H	PE55H1A	5.5	ST	RSCR	220V~240V/50Hz	170	146	580	1.75	5.97	-	Al	178
E	PE59E1H	5.9	ST	RSCR	220V~240V/50Hz	165	142	563	1.45	4.95	CB	Al	175
H	PE65H1C	6.5	ST	RSCR	220V~240V/50Hz	190	163	648	1.65	5.63	-	Al	178
	PE65H1B	6.5	ST	RSCR	220V~240V/50Hz	190	163	648	1.68	5.73	-	Cu	178
	PE75H1C	7.5	ST	RSCR	220V~240V/50Hz	218	187	744	1.62	5.53	-	Al	178
	PE75H1B	7.5	ST	RSCR	220V~240V/50Hz	220	189	751	1.70	5.80	CB	Cu	178
	PE80H1F	8.0	ST	RSCR	220V~240V/50Hz	240	206	819	1.50	5.12	-	Al	178

R134a LBP
220V~240V/60Hz

Series	Model	Displ.	Cooling Type	Motor Type	Power frequency	W	Kcal/h	Btu/h	W/W	Btu/Wh	Certification	Motor description	Shell height
E	SE35E1K-N	3.5	ST	RSIR	220V~240V/60Hz	115	99	392	1.30	4.44	-	Al	170
	SE40E1H-N	4.0	ST	RSIR	220V~240V/60Hz	125	107	427	1.35	4.61	-	Al	175
	SE40E1J-N	4.0	ST	RSIR	220V~240V/60Hz	125	107	427	1.35	4.61	-	Al	170
H	PE50H1C-N	5.0	ST	RSCR	220V~240V/60Hz	175	150	597	1.63	5.56	CB	Al	178
	PE65H1C-N	6.5	ST	RSCR	220V~240V/60Hz	220	189	751	1.50	5.12	-	Al	178
	PE65H1F-N	6.5	ST	RSCR	220V~240V/60Hz	223	192	761	1.60	5.46	CB	Cu	178
	PE75H1C-N	7.5	ST	RSCR	220V~240V/60Hz	250	215	853	1.50	5.12	-	Al	178
	PE75H1E-N	7.5	ST	RSCR	220V~240V/60Hz	255	219	870	1.55	5.29	-	Al	178

产品性能参数

系列 Series	机型 Model	气缸容积 Displ. (cm ³)	冷却方式 Cooling Type	电机类型 Motor Type	电源频率 Power frequency	ASHRAE (-23.3/54.4/32.2°C)					认证 Certification	电机描述 Motor description	壳体高度 Shell height
						制冷量 Cooling Capacity			COP				
						W	Kcal/h	Btu/h	W/W	Btu/Wh			

R134a LBP

220V~240V/50Hz (宽电压 Wide Voltage)

E	SE25E1R-9	2.5	ST	RSIR	220V~240V/50Hz	55	47	188	1.00	3.41	-	Al	160
	SE30E1M-9	3.0	ST	RSIR	220V~240V/50Hz	75	64	256	1.15	3.92	CB	Al	165
	SE35E1M-9	3.5	ST	RSIR	220V~240V/50Hz	95	82	324	1.30	4.44	-	Al	165
	PE35E1F-9	3.5	ST	RSCR	220V~240V/50Hz	95	82	324	1.50	5.12	CB	Al	174
	PE35E1D-9	3.5	ST	RSCR	220V~240V/50Hz	95	82	324	1.55	5.29	-	Cu	165
	SE40E1K-9	4.0	ST	RSIR	220V~240V/50Hz	108	93	368	1.25	4.27	CB	Al	165
	SE40E1H-9	4.0	ST	RSIR	220V~240V/50Hz	108	93	368	1.35	4.61	CB	Al	174
H	PE40H1C-9	4.0	ST	RSCR	220V~240V/50Hz	110	95	375	1.65	5.63	-	Al	178
	PE40E1H-9	4.0	ST	RSCR	220V~240V/50Hz	115	99	392	1.40	4.78	-	Al	175
E	SE45E1J-9	4.5	ST	RSIR	220V~240V/50Hz	120	103	409	1.35	4.61	CB	Al	174
	PE45E1F-9	4.5	ST	RSCR	220V~240V/50Hz	120	103	409	1.50	5.12	-	Al	175
H	PE45H1F-9	4.5	ST	RSCR	220V~240V/50Hz	130	112	444	1.50	5.12	CB	Al	178
E	PE50E1H-9	5.0	ST	RSCR	220V~240V/50Hz	136	117	464	1.40	4.78	-	Al	175
H	SE50H1F-9	5.0	ST	RSIR	220V~240V/50Hz	150	129	512	1.48	5.05	CB	Al	178
	PE50H1F-9	5.0	ST	RSCR	220V~240V/50Hz	153	132	522	1.50	5.12	-	Al	178
	PE50H1C-9	5.0	ST	RSCR	220V~240V/50Hz	153	132	522	1.63	5.56	CB	Al	178
E	SE59E1H-9	5.9	ST	RSIR	220V~240V/50Hz	160	138	546	1.38	4.71	-	Al	174
	SE59E1G-9	5.9	ST	RSIR	220V~240V/50Hz	160	138	546	1.43	4.88	CB	Al	179
H	PE55H1F-9	5.5	ST	RSCR	220V~240V/50Hz	163	140	556	1.55	5.29	CB	Al	178
	PE55H1D-9	5.5	ST	RSCR	220V~240V/50Hz	170	146	580	1.60	5.46	-	Al	178
	PE65H1F-9	6.5	ST	RSCR	220V~240V/50Hz	190	163	648	1.51	5.15	-	Al	178
	PE65H1C-9	6.5	ST	RSCR	220V~240V/50Hz	190	163	648	1.65	5.63	-	Al	178
	PE65H1H-9	6.5	ST	RSCR	220V~240V/50Hz	195	168	665	1.55	5.29	CB	Al	178
	PE75H1H-9	7.5	ST	RSCR	220V~240V/50Hz	220	189	751	1.45	4.95	CB	Al	178
	PE75H1C-9	7.5	ST	RSCR	220V~240V/50Hz	220	189	751	1.65	5.63	-	Al	178

系列 Series	机型 Model	气缸容积 Displ. (cm ³)	冷却方式 Cooling Type	电机类型 Motor Type	电源频率 Power frequency	ASHRAE (-23.3/54.4/32.2°C)					认证 Certification	电机描述 Motor description	壳体高度 Shell height
						制冷量 Cooling Capacity			COP				
						W	Kcal/h	Btu/h	W/W	Btu/Wh			

R134a LBP

220V~240V/50Hz (宽电压 Wide Voltage)

H	PE80H1E-9	8.0	ST	RSCR	220V~240V/50Hz	235	202	802	1.50	5.12	-	Al	178
	PE90H1F-9	9.0	ST	RSCR	220V~240V/50Hz	280	241	955	1.50	5.12	-	Al	178
	PE90H1D-9	9.0	ST	RSCR	220V~240V/50Hz	280	241	955	1.60	5.46	CB	Cu	178
	PE99H1H-9	9.9	ST	RSCR	220V~240V/50Hz	300	258	1024	1.45	4.95	-	Cu	178

R134a LBP

220V~240V/50~60Hz

E	PE40E1J-4	4.0	ST	RSCR	220V~240V/50Hz	110	95	375	1.20	4.09	-	Al	164
					220V~240V/60Hz	130	112	444	1.35	4.61			
	PE40E1H-4	4.0	ST	RSCR	220V~240V/50Hz	110	95	375	1.40	4.78	CB	Al	170
					220V~240V/60Hz	130	112	444	1.50	5.12			
SE45E1J-4	4.5	ST	RSIR	220V~240V/50Hz	120	103	409	1.20	4.09	-	Al	175	
				220V~240V/60Hz	145	125	495	1.35	4.61				
PE50E1F-4	4.5	ST	RSCR	220V~240V/50Hz	138	119	471	1.42	4.85	CB	Al	175	
				220V~240V/60Hz	162	139	553	1.54	5.25				
H	PE50H1F-4	5.0	ST	RSCR	220V~240V/50Hz	155	133	529	1.60	5.46	CB	Al	178
					220V~240V/60Hz	180	155	614	1.63	5.56			
	PE55H1C-4	5.5	ST	RSCR	220V~240V/50Hz	170	146	580	1.60	5.46	-	Al	178
					220V~240V/60Hz	198	170	676	1.65	5.63			
PE65H1C-4	6.5	ST	RSCR	220V~240V/50Hz	195	168	665	1.60	5.46	-	Al	178	
				220V~240V/60Hz	220	189	751	1.65	5.63				
PE65H1A-4	6.5	ST	RSCR	220V~240V/50Hz	195	168	665	1.75	5.97	-	Cu	178	
				220V~240V/60Hz	220	189	751	1.80	6.14				

系列 Series	机型 Model	气 缸 容 积 Displ. (cm ³)	冷 却 方 式 Cooling Type	电 机 类 型 Motor Type	电 源 频 率 Power frequency	ASHRAE (-23.3/54.4/32.2°C)					认 证 Certification	电 机 描 述 Motor description	壳 体 高 度 Shell height
						制 冷 量 Cooling Capacity			COP				
						W	Kcal/h	Btu/h	W/W	Btu/Wh			

R134a LBP
115V/60Hz

E	FE25E1M-U	2.5	ST	RSIR	115V/60Hz	68	58	232	1.15	3.92	UL	Al	160
	FE25E1L-U	2.5	ST	RSIR	115V/60Hz	68	58	232	1.24	4.23	UL	Cu	165
	EE25E1J-U	2.5	ST	RSCR	115V/60Hz	68	58	232	1.35	4.61	-	Al	170
	EE30E1H-U	3.0	ST	RSCR	115V/60Hz	88	76	300	1.45	4.95	UL	Cu	165
	EE30E1F-U	3.0	ST	RSCR	115V/60Hz	88	76	300	1.47	5.02	-	Al	175
	FE35E1M-U	3.5	ST	RSIR	115V/60Hz	116	100	396	1.25	4.27	UL	Al	160
	FE35E1G-U	3.5	ST	RSIR	115V/60Hz	116	100	396	1.44	4.91	UL	Al	170
	EE35E1F-U	3.5	ST	RSCR	115V/60Hz	113	97	386	1.46	4.98	UL	Al	175
	FE40E1G-U	4.0	ST	RSIR	115V/60Hz	130	112	444	1.45	4.95	-	Cu	165
	FE40E1H-U	4.0	ST	RSIR	115V/60Hz	130	112	444	1.45	4.95	-	Al	179
H	FE45E1M-U	4.5	ST	RSIR	115V/60Hz	145	125	495	1.30	4.44	UL	Al	170
	FE45E1F-U	4.5	ST	RSIR	115V/60Hz	145	125	495	1.47	5.02	UL	Al	170
	EE45H1C-U	4.5	ST	RSCR	115V/60Hz	160	138	546	1.65	5.63	-	Al	178
	EE45H1A-U	4.5	ST	RSCR	115V/60Hz	141	121	481	1.72	5.87	-	Al	178
E	EE45H1B-U	4.5	ST	RSCR	115V/60Hz	160	138	546	1.73	5.90	UL	Cu	178
	EE45H1Z-U	4.5	ST	RSCR	115V/60Hz	153	132	522	1.77	6.04	-	Cu	178
H	FE50E1H-U	5.0	ST	RSIR	115V/60Hz	165	142	563	1.45	4.95	-	Al	175
	EE50H1C-U	5.0	ST	RSCR	115V/60Hz	178	153	607	1.65	5.63	UL	Al	178
	EE50H1Z-U	5.0	ST	RSCR	115V/60Hz	178	153	607	1.69	5.77	UL	Cu	178
	EE50H1B-U	5.0	ST	RSCR	115V/60Hz	178	153	607	1.70	5.80	UL	Cu	178
	EE50H1A-U	5.0	ST	RSCR	115V/60Hz	178	153	607	1.75	5.97	UL	Cu	178
	EE55H1B-U	5.5	ST	RSCR	115V/60Hz	192	165	655	1.65	5.63	UL	Al	178
E	EE55H1C-U	5.5	ST	RSCR	115V/60Hz	192	165	655	1.66	5.66	-	Al	178
	EE55H1A-U	5.5	ST	RSCR	115V/60Hz	192	165	655	1.75	5.97	UL	Cu	178

系列 Series	机型 Model	气 缸 容 积 Displ. (cm ³)	冷 却 方 式 Cooling Type	电 机 类 型 Motor Type	电 源 频 率 Power frequency	ASHRAE (-23.3/54.4/32.2°C)					认 证 Certification	电 机 描 述 Motor description	壳 体 高 度 Shell height
						制 冷 量 Cooling Capacity			COP				
						W	Kcal/h	Btu/h	W/W	Btu/Wh			

R134a LBP
115V/60Hz

E	EE59E1M-U	5.9	ST	RSCR	115V/60Hz	192	165	655	1.40	4.78	UL	Al	175
	FE59E1M-U	5.9	ST	RSIR	115V/60Hz	192	165	655	1.40	4.78	UL	Al	175
	FE59E1G-U	5.9	ST	RSIR	115V/60Hz	192	165	655	1.45	4.95	-	Al	170
	EE59E1E-U	5.9	ST	RSCR	115V/60Hz	192	165	655	1.55	5.29	-	Al	179
H	FE65H1H-U	6.5	ST	RSIR	115V/60Hz	220	189	751	1.47	5.02	UL	Al	178
	EE65H1H-U	6.5	ST	RSCR	115V/60Hz	223	192	761	1.50	5.12	-	Al	178
	EE75H1D-U	7.5	ST	RSCR	115V/60Hz	250	215	853	1.55	5.29	-	Al	178
	EE75H1F-U	7.5	ST	RSCR	115V/60Hz	255	219	870	1.58	5.39	-	Al	178
	EE75H1B-U	7.5	ST	RSCR	115V/60Hz	236	203	805	1.69	5.77	-	Cu	178
E	EE80H1H-U	8.0	ST	RSCR	115V/60Hz	270	232	921	1.45	4.95	-	Al	178

R134a LBP
100V/50-60Hz

E	FE25E1M-J	2.5	ST	RSIR	100V/50Hz	54	46	184	0.98	3.34	-	Al	160
					100V/60Hz	68	58	232	1.18	4.03			

R134a LBP
127V/60Hz

E	FE30E1J-E	3.0	ST	RSIR	127V/60Hz	86	74	293	1.35	4.61	-	Al	165
	FE35E1J-B	3.5	ST	RSIR	127V/60Hz	115	99	392	1.35	4.61	CB	Al	165
	EE50E1F-B	5.0	ST	RSCR	127V/60Hz	168	144	573	1.50	5.12	CB	Al	175
H	EE50H1C-B	5.0	ST	RSCR	127V/60Hz	185	159	631	1.65	5.63	-	Al	178
	EE65H1E-B	6.5	ST	RSCR	127V/60Hz	223	192	761	1.56	5.32	CB	Cu	178
	EE75H1C-B	7.5	ST	RSCR	127V/60Hz	250	215	853	1.65	5.63	-	Al	178

产品性能参数

系列 Series	型号 Model	气缸容积 Displ. (cm ³)	冷却方式 Cooling Type	电机类型 Motor Type	电源频率 Power frequency	ASHRAE (-23.3/54.4/32.2℃)					认证 Certification	电机描述 Motor description	壳体高度 Shell height
						制冷量 Cooling Capacity			COP				
						W	Kcal/h	Btu/h	W/W	Btu/Wh			

R290 LBP
220V~240V/50Hz

系列	型号	气缸容积	冷却方式	电机类型	电源频率	ASHRAE (-23.3/54.4/32.2℃)					认证	电机描述	壳体高度
						W	Kcal/h	Btu/h	W/W	Btu/Wh			
E	PA25E1C	2.5	ST	RSCR	220V/50Hz	110	95	375	1.65	5.63	-	Al	178
	PA30E1C	3.0	ST	RSCR	220V/50Hz	135	116	461	1.65	5.63	-	Al	178
	PA35E1E	3.5	ST	RSCR	220V/50Hz	162	139	553	1.52	5.19	CCC	Al	178
	PA35E1C	3.5	ST	RSCR	220V/50Hz	170	146	580	1.65	5.63	-	Al	178
	PA45E1E	4.5	ST	RSCR	220V/50Hz	205	176	699	1.55	5.29	CCC/CB	Al	178
	PA45E1C	4.5	ST	RSCR	220V/50Hz	205	176	699	1.65	5.63	CCC/CB	Al	178
H	PA50H1E	5.0	ST	RSCR	220V/50Hz	255	219	870	1.50	5.12	-	Al	178
	PA59H1B	5.9	ST	RSCR	220V/50Hz	290	249	989	1.70	5.80	-	Cu	178
	PA65H1C	6.5	ST	RSCR	220V/50Hz	330	284	1126	1.62	5.53	CCC	Al	178
	PA65H1B	6.5	ST	RSCR	220V/50Hz	330	284	1126	1.70	5.80	-	Cu	178
	PA80H1C	8.0	ST	RSCR	220V/50Hz	395	340	1348	1.53	5.22	CCC/CB	Al	178
	PA90H1F	9.0	ST	RSCR	220V/50Hz	455	391	1552	1.50	5.12	-	Cu	178

R290 HBP (除湿机专用 for dehumidifiers)
220V~240V/50Hz

系列	型号	气缸容积	冷却方式	电机类型	电源频率	W	Kcal/h	Btu/h	W/W	Btu/Wh	认证	电机描述	壳体高度
E	SA50EHA	5.0	ST	RSCR	220V/50Hz	650	559	2218	2.50	8.53	-	Al	174

系列 Series	型号 Model	气缸容积 Displ. (cm ³)	冷却方式 Cooling Type	电机类型 Motor Type	电源频率 Power frequency	ASHRAE (-23.3/54.4/32.2℃)					认证 Certification	电机描述 Motor description	壳体高度 Shell height
						制冷量 Cooling Capacity			COP				
						W	Kcal/h	Btu/h	W/W	Btu/Wh			

R290 LBP
115V/60Hz

系列	型号	气缸容积	冷却方式	电机类型	电源频率	ASHRAE (-23.3/54.4/32.2℃)					认证	电机描述	壳体高度
						W	Kcal/h	Btu/h	W/W	Btu/Wh			
E	EA25E1C	2.5	ST	RSCR	115V/60Hz	135	116	461	1.65	5.63	-	Al	178
	EA30E1C	3.0	ST	RSCR	115V/60Hz	160	138	546	1.65	5.63	-	Al	178
	EA35E1G	3.5	ST	RSCR	115V/60Hz	193	166	659	1.50	5.12	-	Al	178
	EA35E1C	3.5	ST	RSCR	115V/60Hz	193	166	659	1.65	5.63	-	Al	178
	EA45E1C	4.5	ST	RSCR	115V/60Hz	260	224	887	1.65	5.63	-	Al	178
	H	EA59H1D	5.9	ST	RSCR	115V/60Hz	330	284	1126	1.60	5.46	-	Al
EA59H1A		5.9	ST	RSCR	115V/60Hz	330	284	1126	1.75	5.97	-	Cu	178
EA65H1E		6.5	ST	RSCR	115V/60Hz	370	318	1262	1.55	5.29	-	Al	178
EA65H1B		6.5	ST	RSCR	115V/60Hz	370	318	1262	1.70	5.80	-	Cu	178



R290定速大冷量冰箱用压缩机
R290 REFRIGERATOR COMPRESSOR

- 1、高效节能、高稳定、宽电压；
- 2、实现大容积冷柜快速制冷要求。

The characteristics of efficient energy saving, high stability, and wide range of voltage can achieve the requirements for rapid refrigeration of large-volume refrigerators.

产品性能参数

系列 Series	机型 Model	气缸容积 Displ. (cm ³)	冷却方式 Cooling Type	电机类型 Motor Type	应用类型 Application Type	制冷量 Cooling Capacity										认证 Certification	电机描述 Motor description	壳体高度 Shell height		
						标准点		ASHRAE测试工况												
						-23.3°C/54.4°C		制冷量 (W) cooling capacity												
						W	COP	蒸发温度(°C) Evaporating temperature												
W	W/W	-40°C	-35°C	-30°C	-25°C	-20°C	-15°C	-10°C	-5°C	0°C										

R290 L/MBP 轻商 LIGHT COMMERCIAL
220V~240V/50Hz

H	PA59HHA	5.9	FC	CSIR	L/MBP	295	1.50	95	125	180	245	310	395	475	620	710	-	Al	178
	PA65HHA	6.5	FC	CSIR	L/MBP	323	1.50	126	163	229	293	370	458	546	693	786	-	Al	178
	PA80HHA	8.0	FC	CSIR	MBP	395	1.50					449	544	655	802	901	-	Cu	178
	PA90HHA	9.0	FC	CSIR	MBP	445	1.50					490	614	719	906	1018	-	Cu	178
	PA99HHA	9.9	FC	CSIR	MBP	475	1.50					535	618	753	892	1085	-	Cu	178
Q	PA80QMA★	8.0	FC	CSIR	L/MBP	400	1.73	167	222	288	370	460	571	702	870	1053	-	Al	190
	PA90QMB★	9.0	FC	CSIR	L/MBP	440	1.70	183	244	317	407	506	629	772	957	1158	-	Al	190
	PA99QMC★	9.9	FC	CSIR	L/MBP	480	1.68	200	267	345	444	552	686	842	1043	1263	-	Al	190
	PA110QMC★	11.0	FC	CSR	L/MBP	520	1.65	217	289	374	481	598	743	912	1130	1368	-	Al	190
	PA120QMD★	12.0	FC	CSR	L/MBP	560	1.63	233	311	403	519	644	800	982	1217	1474	-	Al	190
L	PA120LMA	12.0	FC	CSR	L/MBP	600	1.63	250	333	432	556	690	857	1053	1304	1579	-	Al	217
	PA140LMA	13.0	FC	CSR	L/MBP	650	1.58	271	361	468	602	747	929	1140	1413	1711	-	Al	217
	PA160LMA	15.0	FC	CSR	L/MBP	750	1.55	313	417	540	694	862	1071	1316	1630	1974	-	Al	227

115V/60Hz

H	EA45HHA	4.5	FC	RSCR	L/MBP	260	1.50	65	95	150	215	275	360	435	575	650	-	Al	178
	EA50HHA	5.0	FC	RSCR	L/MBP	300	1.50	98	128	185	250	315	400	482	628	720	-	Al	178
	EA59HHA	5.9	FC	RSCR	L/MBP	345	1.50	150	188	255	320	380	470	558	730	820	-	Cu	178
	EA65HHA	6.5	FC	RSCR	L/MBP	375	1.50	175	215	280	345	425	515	605	755	850	-	Cu	178

备注：★为正在开发中压缩机 ST:自然冷却 FC:风冷

系列 Series	机型 Model	气缸容积 Displ. (cm ³)	冷却方式 Cooling Type	电机类型 Motor Type	应用类型 Application Type	制冷量 Cooling Capacity										认证 Certification	电机描述 Motor description	壳体高度 Shell height		
						标准点		ASHRAE测试工况												
						7.2°C/54.4°C		制冷量 (W) cooling capacity												
						W	COP	蒸发温度(°C) Evaporating temperature												
W	W/W	-30°C	-25°C	-20°C	-15°C	-10°C	-5°C	0°C	5°C	10°C										

R290 M/HBP 轻商 LIGHT COMMERCIAL
220V~240V/50Hz

L	PA120LHA	12.0	FC	CSR	HBP	1640	2.60			596	707	854	1051	1271	1519	1802	-	Al	217
	PA140LHA	13.0	FC	CSR	HBP	1778	2.55			647	766	926	1140	1378	1646	1954	-	Al	217
	PA160LHA	15.0	FC	CSR	HBP	2050	2.50			745	884	1068	1314	1589	1898	2253	-	Al	227

系列 Series	Model 机型	Displ. (cm ³) 扫气容积	Cooling Type 冷却方式	Motor Type 电机类型	Power frequency 电源频率	ASHRAE (-23.3/54.4/32.2°C)					认证 Certification	电机描述 Motor description	壳体高度 Shell height
						制冷量 Cooling Capacity			COP				
						W	Kcal/h	Btu/h	W/W	Btu/Wh			

C系列 (吸排气异侧) SUCTION AND DISCHARGE ON OPPOSITE SIDES

C	FZ45C1H-J	4.5	ST	RSIR	100V/50Hz	73	63	249	1.33	4.54	-	AI	152
					100V/60Hz	88	76	300	1.45	4.95			
	FE25CHR	2.5	ST	RSIR	115V/60Hz	130	112	444	1.47	5.02	UL	AI	147
	FE30CHR	3.0	ST	RSIR	115V/60Hz	159	137	543	1.62	5.53	UL	AI	152
	FZ35C1M-U	3.5	ST	RSIR	115V/60Hz	65	56	222	1.25	4.27	UL	AI	141
	FZ40C1J-U	4.0	ST	RSIR	115V/60Hz	68	58	232	1.35	4.61	UL	AI	147
	FZ40C1G-U	4.0	ST	RSIR	115V/60Hz	68	58	232	1.38	4.71	UL	AI	157
	FZ59C1H-U	5.9	ST	RSIR	115V/60Hz	110	95	375	1.45	4.95	-	AI	157
	SE30C1P	3.0	ST	RSIR	220V/50Hz	136	117	464	1.50	5.12	CCC/VDE	AI	152
	SZ35C1K	3.5	ST	RSIR	220V/50Hz	50	43	171	1.35	4.61	-	AI	147
	SZ40C1K	4.0	ST	RSIR	220V/50Hz	55	47	188	1.25	4.27	-	AI	147
	SZ45C1K	4.5	ST	RSIR	220V/50Hz	70	60	239	1.27	4.33	CCC/VDE /CB	AI	147
	PZ50C1E	5.0	ST	RSCR	220V/50Hz	80	69	273	1.55	5.29	-	AI	157
	PZ50C1D	5.0	ST	RSCR	220V/50Hz	80	69	273	1.58	5.39	-	AI	157
	SZ55C1M	5.5	ST	RSIR	220V/50Hz	85	73	290	1.18	4.03	-	AI	142
	SZ55C1J	5.5	ST	RSIR	220V/50Hz	85	73	290	1.37	4.67	CCC/VDE /CB	AI	152
	PZ55C1E	5.5	ST	RSCR	220V/50Hz	85	73	290	1.55	5.29	CCC/CB	AI	157
	SZ59C1J	5.9	ST	RSIR	220V/50Hz	96	83	328	1.40	4.78	CCC/VDE /CB	AI	157
	SZ59C1H	5.9	ST	RSIR	220V/50Hz	96	83	328	1.42	4.85	CCC	AI	157
	PZ59C1F	5.9	ST	RSCR	220V/50Hz	96	83	328	1.50	5.12	CCC/VDE /CB	AI	152
PZ59C1E	5.9	ST	RSCR	220V/50Hz	96	83	328	1.62	5.53	CCC/VDE	AI	157	
PZ59C1D	5.9	ST	RSCR	220V/50Hz	96	83	328	1.65	5.63	CCC/VDE	AI	157	

系列 Series	Model 机型	Displ. (cm ³) 扫气容积	Cooling Type 冷却方式	Motor Type 电机类型	Power frequency 电源频率	ASHRAE (-23.3/54.4/32.2°C)					认证 Certification	电机描述 Motor description	壳体高度 Shell height
						制冷量 Cooling Capacity			COP				
						W	Kcal/h	Btu/h	W/W	Btu/Wh			

C系列 (吸排气异侧) SUCTION AND DISCHARGE ON OPPOSITE SIDES

C	SZ65C1H	6.5	ST	RSIR	220V/50Hz	105	90	358	1.40	4.78	CCC	AI	157
	SZ65C1J	6.5	ST	RSIR	220V/50Hz	105	90	358	1.27	4.33	CCC	AI	147
	PZ65C1E	6.5	ST	RSCR	220V/50Hz	105	90	358	1.56	5.32	CCC	AI	157
	SZ70C1H	7.0	ST	RSIR	220V/50Hz	113	97	386	1.35	4.61	-	AI	157
	PZ70C1D	7.0	ST	RSCR	220V/50Hz	113	97	386	1.55	5.29	CCC	AI	157
	SZ75C1J	7.5	ST	RSIR	220V/50Hz	120	103	409	1.35	4.61	-	AI	157
	SZ80C1H	8.0	ST	RSIR	220V/50Hz	135	116	461	1.30	4.44	-	AI	157
	SE30C1P-9	3.0	ST	RSIR	220V/50Hz	72	62	246	1.02	3.48	CB	AI	152
	SE40C1P-9	4.0	ST	RSIR	220V/50Hz	91	78	310	1.10	3.75	CB	AI	157
	SE40C1R-9	4.0	ST	RSIR	220V/50Hz	88	76	300	0.96	3.28	-	AI	157
	SZ50C1J-9	5.0	ST	RSIR	220V/50Hz	81	70	276	1.30	4.44	-	AI	157
	SZ59C1H-9	5.9	ST	RSIR	220V/50Hz	96	83	328	1.35	4.61	-	AI	157
	SZ65C1J-9	6.5	ST	RSIR	220V/50Hz	108	93	368	1.35	4.61	-	AI	157
	SZ40C1H-4	4.0	ST	RSIR	220V~240V/50Hz	60	52	205	1.28	4.37	-	AI	157
						70	60	239	1.40	4.78			
	PE40C1H-4	4.0	ST	RSCR	220V~240V/50Hz	96	83	328	1.20	4.09	CB	AI	157
						112	96	382	1.33	4.54			
	SZ59C1H-4	5.9	ST	RSIR	220V~240V/50Hz	93	80	317	1.33	4.54	CB	AI	157
						105	90	358	1.45	4.95			
	SE30C1P-N	3.0	ST	RSIR	220V~240V/60Hz	80	69	273	1.10	3.75	CB	AI	152
SE35C1R-N	3.5	ST	RSIR	220V~240V/60Hz	80	69	273	1.00	3.41	-	AI	152	
SZ45C1M-N	4.5	ST	RSIR	220V~240V/60Hz	85	73	290	1.25	4.27	-	AI	141	
SZ45C1J-N	4.5	ST	RSIR	220V~240V/60Hz	85	73	290	1.36	4.64	CB	AI	152	
SZ59C1J-N	5.9	ST	RSIR	220V~240V/60Hz	108	93	368	1.26	4.30	CB	AI	157	

外形图 (一)

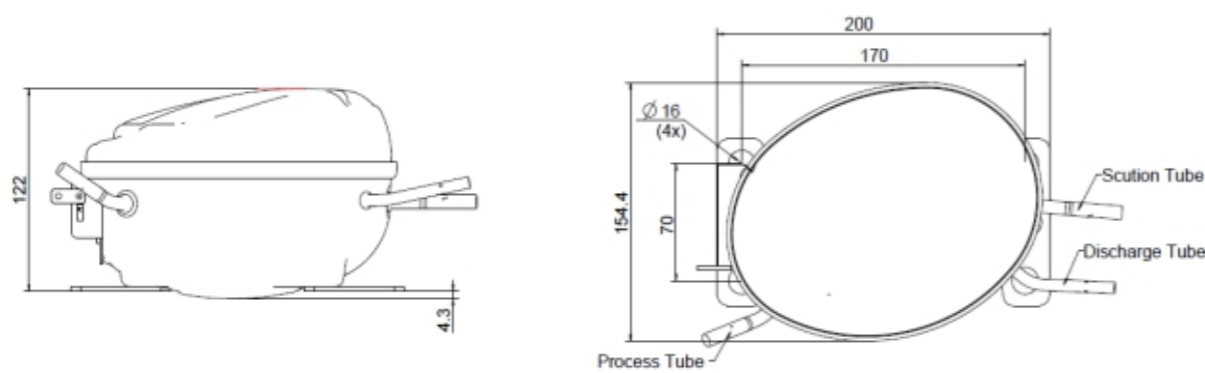
OUTLINE DRAWING OF COMPRESSOR (A)

系列 Series	高度 Height(mm)
H	187/183/178/170/164
E	178/169/164/159
C	157/152/147
Y	142/154
F	162/157
Q	197
L	227/217/207/197
V变频	145/139/120
X变频	142
A变频	122

备注 Remarks:

- ※ 原则上吸排气管不能互换，若互换则COP和制冷量下降约5%左右;
In principle, suction and discharge pipes are not interchangeable, if interchanged, the COP and cooling capacity will be reduced by about 5%;
- ※ 接水盘扣增加与否可根据客户要求而定;
Whether water pan clip is added or not can be determined according to customer requirements;
- ※ 三管的内径、弯管方向可根据客户要求而定。
Inner diameters of the three tubes and bending direction can be determined according to customer requirements.

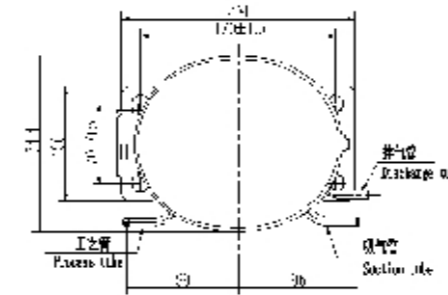
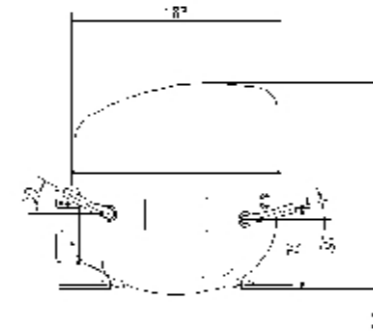
A series



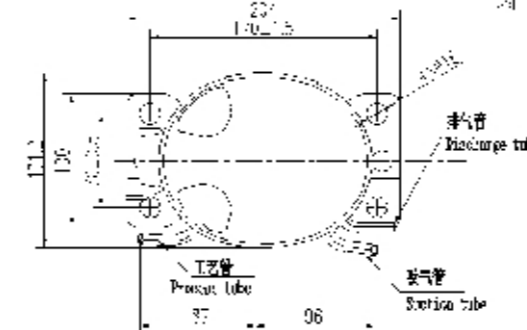
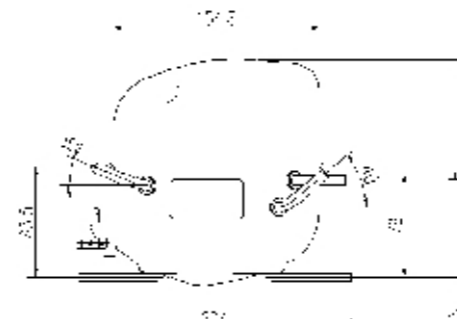
外形图 (二)

OUTLINE DRAWING OF COMPRESSOR (B)

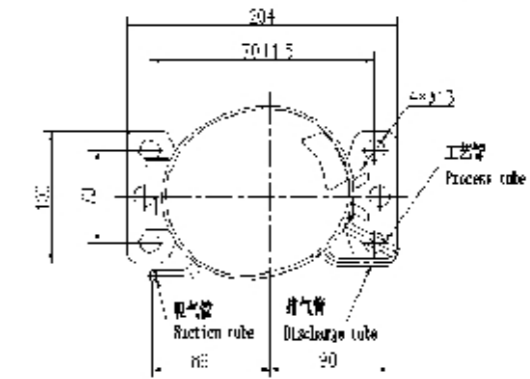
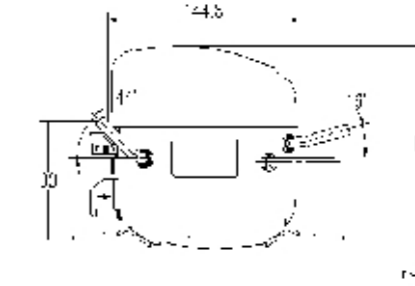
H series



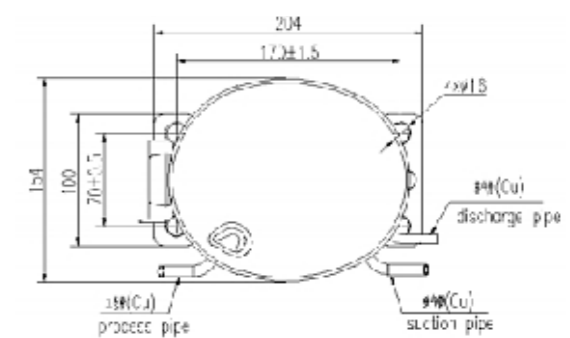
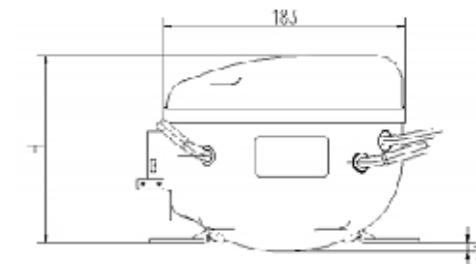
E series



C series



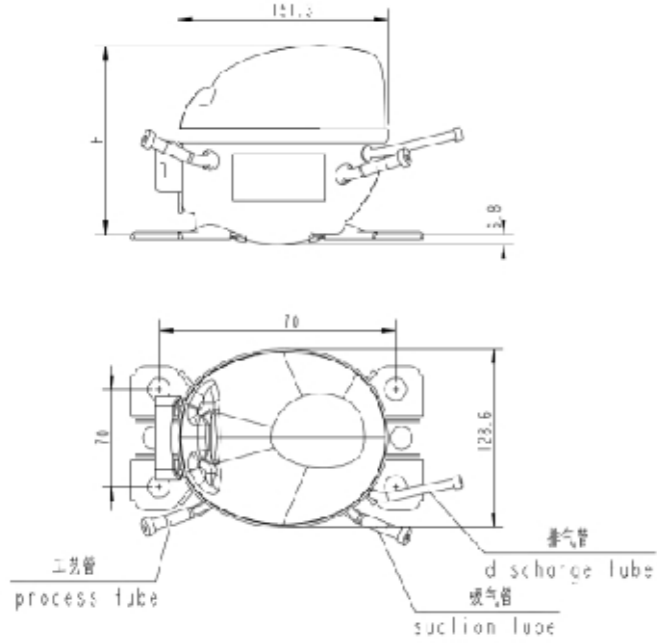
V series



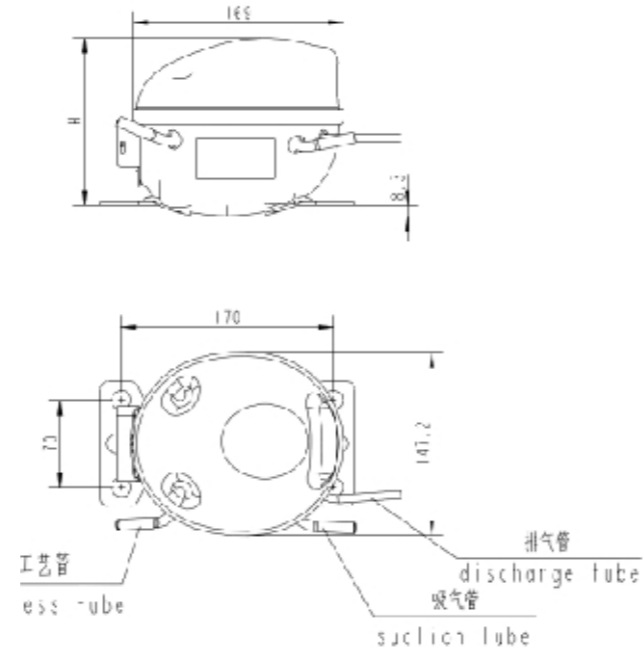
外形图 (三)

OUTLINE DRAWING OF COMPRESSOR (C)

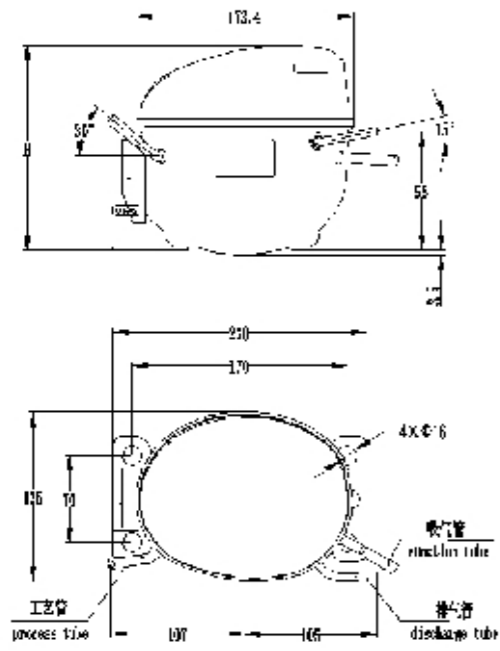
Y series



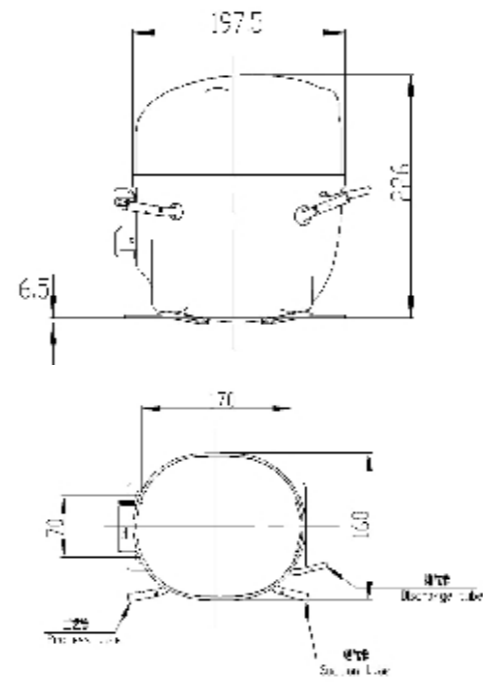
X series



F series



Q/L commercial series

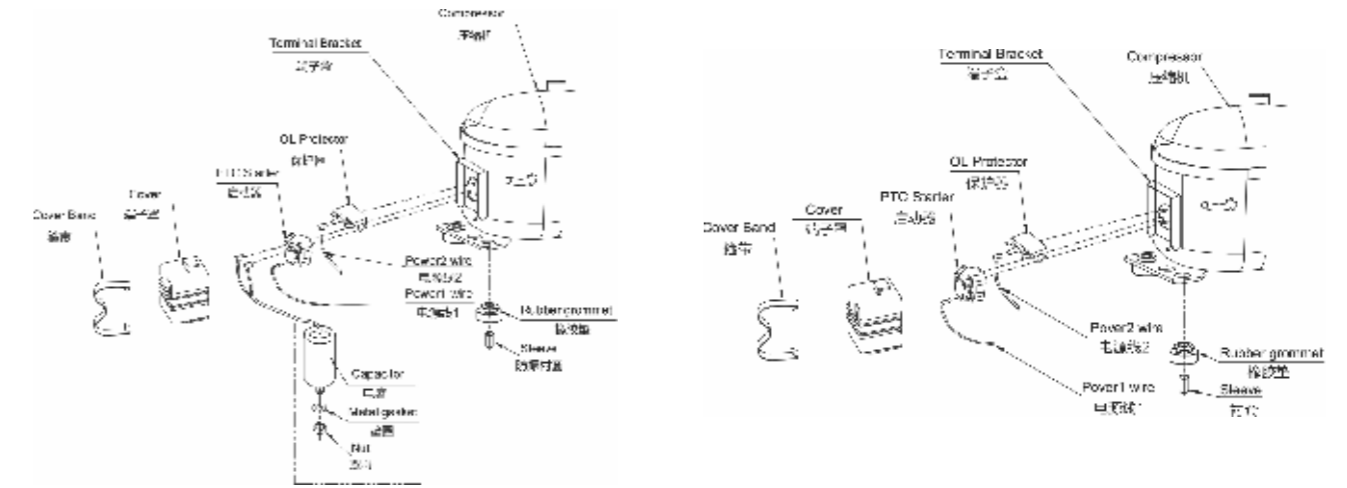


附件安装图

INSTALLATION OF ACCESSORIES

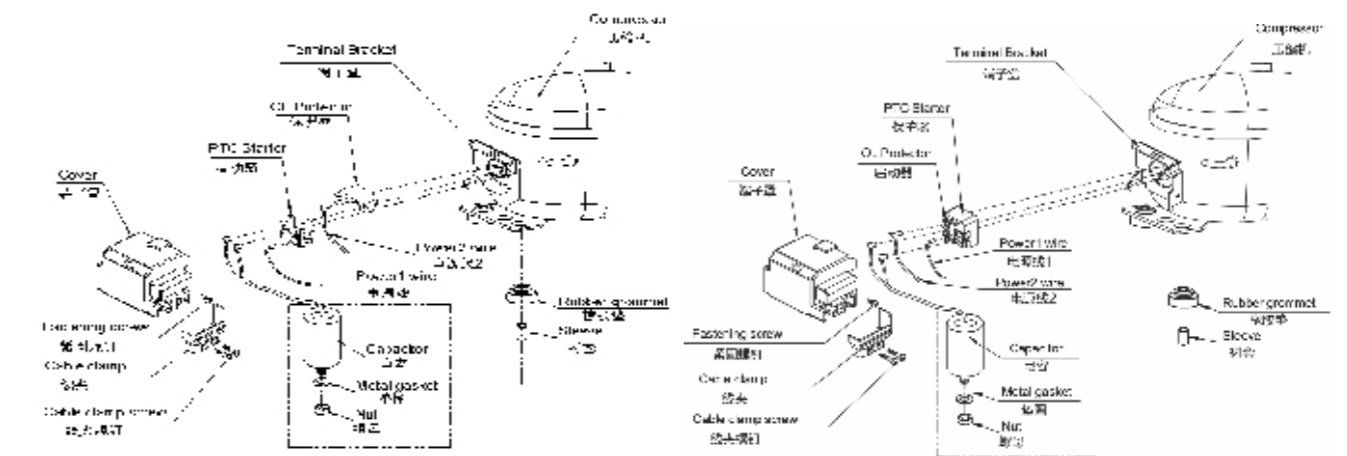
组装—箍带式接线盒 Assembly—cover band type terminal box

电机类型 Motor Type: RSCR/RSIR



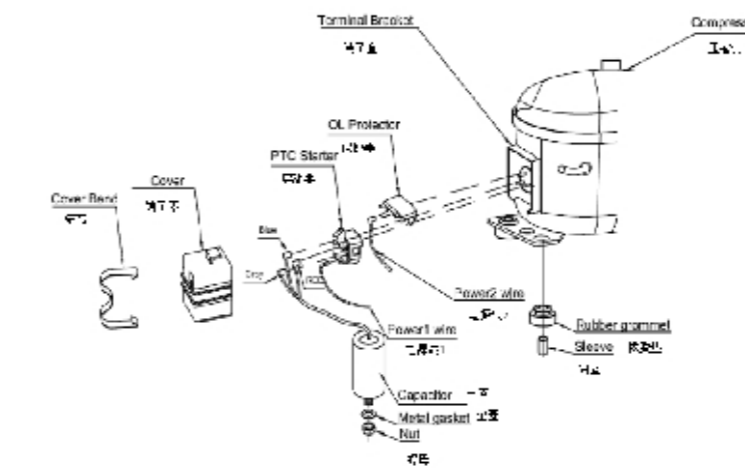
组装—线夹式接线盒 Cable clamp type terminal box

电机类型 Motor Type: RSCR



组装—箍带式接线盒 Cable clamp type terminal box

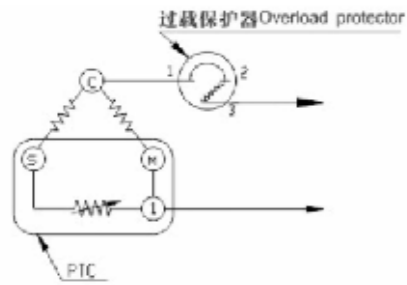
电机类型 Motor Type: CSR



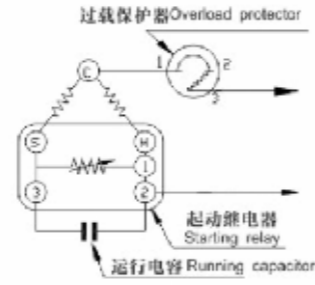
电气接线图

ELECTRIC WIRING DIAGRAM

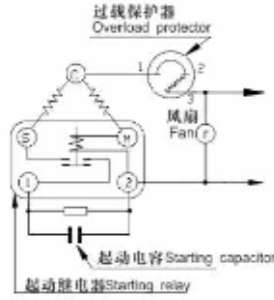
RSIR



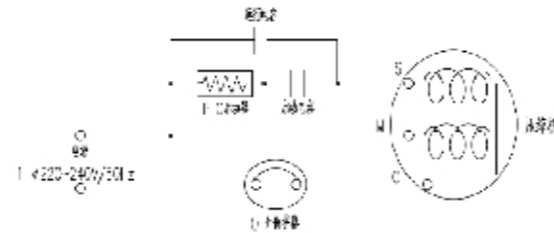
RSCR



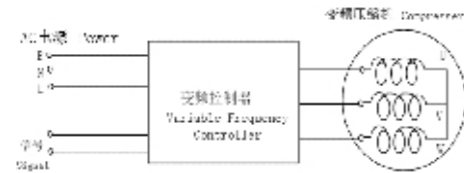
CSIR



CSR



PMSM 直流变频 (电控)



PMSM 直流变频 (机控)



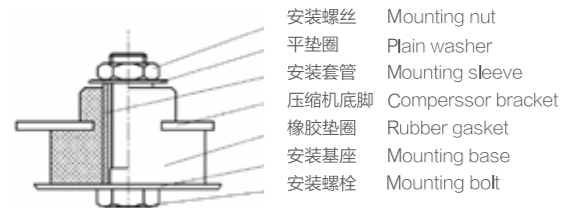
地脚安装方式

ANCHOR INSTALLATION MODE

螺栓式

Bolted Type

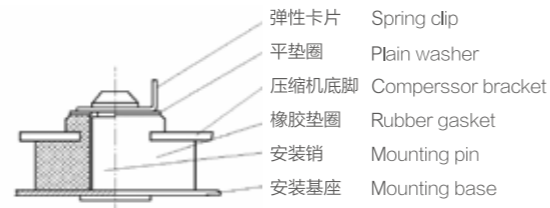
安装方式 1
Mounting type 1



压片式

Spring Clip Type

安装方式 2
Mounting type 2



压缩机标准包装

COMPRESSOR STANDARD PACKAGE

依据运输要求，分为出口包装和内销包装，分别见下图：

The packing is divided into export packing and domestic packing, as shown below respectively:



出口包装

Export Packing



内销包装

Packing for domestic sale

产品系列 Product Series	外形尺寸 External Dimensions			包装层数 No. of Layers	包装数量(台) Quantity (Unit)	毛重 Gross Weight (kg)
	L (mm)	W (mm)	H (mm)			
H/V/X/Q/L系列 H/V/X/Q/L series	1100	920	1027/1200	4/5	96/100/120	471~1150
E/F/Y系列 E/F/Y series	1100	920	1120/1190	4/5	112/120/140	520~920
C系列 C series	1100	920	1050/1100	4/5	112/120/140	700~760

备注 Remarks:

出口包装单包层数根据货柜尺寸及载重要求确定。

The number of layers of a single package for export packing is to be determined according to the dimensions of the container and load carrying requirements.

一般技术说明

GENERAL TECHNICAL DESCRIPTION



- 1、压缩机在真空条件下不得加高电压测试或进行启动测试；
- 2、压缩机可以在0.3MPa (R600a, 表压) 或0.5MPa (R134a, 表压) 或0.85MPa (R290, 表压) 平衡压力下在标称电压的85%下启动；
- 3、冷媒封入时, 会出现冷媒在上、冷冻机油在下的分层状态, 此时请不要立即启动压缩机, 若启动由于冷冻机油润滑量不足, 导致机械部件划伤; 且压力未及时平衡, 会导致启动不良。

1. The compressor under vacuum condition should not be tested at high voltage or tested for startup;
2. The compressor may be started up at 85% of nominal voltage under 0.3MPa (G) (for R600a) or 0.5MPa (G) (for R134a) or 0.85MPa (G) (for R290) balance pressure;
3. When filling the refrigerant into the compressor, there will appear the phenomenon of stratification that the refrigerant is on the top and refrigerant oil is at bottom, in this case, please don't immediately start up the compressor, if you do so, the mechanical components may be scratched due to insufficient amount of lubricating refrigerant oil; moreover, the pressure has not achieved equilibrium, which will cause poor startup.



- 1、压缩机搬运过程中需要保持压缩机垂直, 不能倒置, 并尽量避免撞击和振动;
- 2、压缩机启动器、保护器等电装品必须使用配套制定的式样;
- 3、拔出橡皮塞, 请在5分钟内将压缩机与制冷系统连接, 不允许有任何空气中的灰尘或潮气进入压缩机里面;
- 4、不要对吸气管、排气管施加强制性弯曲力;
- 5、不得往压缩机内注入任何非指定液体;
- 6、制冷系统不能含氯系列残留物 (除锈剂、清洗剂 (包含R113) 等), 有机物的残渣量在100mg以下;
- 7、冷媒充注不要超过规定量;
- 8、压缩机外接电源线不能接错, 若发生误接线, 压缩机逆转, 压缩机不能再使用;
- 9、压缩机端子罩内的配线须使用耐热性高的配线。

1. During the handling of the compressor, it is required to keep the compressor in vertical position, don't place it upside down and avoid impact and vibration as far as possible;
2. Electric components like starter, protector etc. of the compressor must adopt the specifications specified by our company;
3. Pull out the rubber plug, please connect the compressor with the refrigerating system within 5 minutes, it is not allowed to let any dust or moisture in the air enter the compressor;
4. Do not apply positive bending force to the suction and exhaust pipes;
5. It is forbidden to fill any non-specified liquid into the compressor;
6. The refrigerating system should not contain chlorine series residue (rust remover, cleaning agent (containing R113 etc.), and the amount of residual organic matter should be below 100mg;
7. The refrigerant charge should not exceed the specified amount;
8. Do not wrongly connect the external power lines of the compressor, if they are connected wrongly, the compressor will be reversed and cannot be used any longer;
9. The wires in the terminal cover of the compressor must use high temperature resistant ones.



- 1、压缩机出厂后的库存期最好不要超过6个月。如果超过6个月, 请检查压缩机内的干燥氮气是否充足, 必要时补充;
- 2、请将压缩机储存于通风干燥的地方, 尽量避免湿气。

1. The warehouse storage period of the compressor after delivery should preferably not exceed 6 months; If the storage period exceeds 6 months, please check if the dry nitrogen gas in the compressor is sufficient, and make up it, if necessary;
2. Please store the compressor in a well ventilated dry place and try to avoid moisture.

CONTACT US 联系我们

安徽美芝制冷设备有限公司

地址: 安徽省合肥市高新技术产业开发区科学城彩虹路418号
邮编: 230031
电话: +86-551-65298967
传真: +86-551-65298279
网址: www.gmcc-welling.com

ANHUI MEIZHI COMPRESSOR CO.,LTD.

Address: No.418, Caihong Road High-Tech Industrial Development Zone,
Hefei, Anhui, P. R. China

Postcode: 230031

Tel: +86-551-65298967

Fax: +86-551-65298279

www.gmcc-welling.com

GMCC 美芝技术服务中心

电话: +86-0551-65298896

咨询时间: 周一至周五 AM 8:00-11:30

PM 14:00-17:00

GMCC TECHNICAL SERVICE CENTER

Tel: +86-0551-65298896

Service Time: am 8:00-11:30

pm 14:00-17:00

Monday through Friday

GMCC欧洲技术中心

AUSTRIA R&D CENTRE

Address: Autal 55, 8301 Laßnitzhöhe

Phone: +43-664-88186777

E-mail: austria.office@midea.com