

Performance DATA

Application & Refrigerant LBP R134a

Voltage	Model	Displacement cm ³	*2) Capacity (W)					*3) C.O.P.		*4) Motor type	Compressor cooling *5)			Net weight kg		Oil charge cm ³	
			Evaporating temperature					NO	YES		ST	OC	FC	ST/FC	OC	ST/FC	OC
			-30°C	-25°C	-23.3°C	-20°C	-15°C										
*6) 100V 50/60Hz	QB57C88RA00	5.65	118	161	178	213	271	1.27	1.33	RSIR/RSCR	O	-	O	9.1	-	250	-
	QB66C12CA00	6.55	119	164	185	219	293	1.19	-	CSIR	-	-	O	8.8	-	250	-
	QB66C13RA00	6.55	133	182	200	239	304	1.28	1.37	RSIR/RSCR	O	-	O	9.4	-	280	-
	QB86C18TA00	8.56	170	226	248	295	376	-	1.35	CSCR	-	-	O	9.9	-	280	-
	QB91C18CA00	9.07	163	226	251	303	394	-	1.21	CSIR	-	-	O	9.6	-	250	-
220V 50Hz	QB66C13GAX5	6.55	108	149	165	200	263	1.23	-	RSIR	O	-	-	9.2	-	250	-
	QB73C15GAX5	7.27	121	167	185	224	294	1.23	-	RSIR	O	O	-	9.7	9.9	250	300
	QB77C16GAX5	7.69	131	182	202	245	319	1.26	-	RSIR	O	O	-	9.8	10.0	250	300
	QB86C18GAX5	8.56	145	200	222	268	347	1.26	-	RSIR	O	O	O	9.9	10.1	250	300
	QB91C19GAX5	9.07	154	213	236	285	372	1.29	-	RSIR	-	O	O	10.2	10.5	250	300
	QB110C25GAX5	10.86	176	246	273	331	432	1.18	-	RSIR	-	O	O	10.4	10.6	250	300
*4) 220-240V 50Hz	QB51C74GAW5	5.10	84	116	128	153	196	1.21	-	RSIR	O	-	-	8.7	-	250	-
	QB57C87GAW5	5.65	97	132	146	175	225	1.23	-	RSIR	O	-	-	8.7	-	250	-
	QB66C97GAW5	6.55	108	149	165	200	263	1.25	-	RSIR	O	O	-	9.0	9.2	250	300
	QB73C12GAW5	7.27	121	167	185	224	294	1.26	-	RSIR	O	O	-	9.4	9.6	250	300
	QB77C13GAW5	7.69	131	182	202	245	319	1.27	-	RSIR	O	O	O	9.8	10.0	250	300
	QB86C13GAW5	8.56	145	200	222	268	347	1.27	-	RSIR	-	O	O	9.9	10.1	250	300
	QB91C16GAW5	9.07	154	213	236	285	372	1.28	-	RSIR	-	O	O	10.0	10.2	250	300
	QB110C19GAW5	10.86	176	246	273	331	432	1.22	-	RSIR	-	O	O	10.4	10.6	250	300
*6) 220V 50/60Hz	QB51C99GAX0	5.10	104	142	157	188	240	1.21	-	RSIR	O	-	O	8.7	-	250	-
	QB57C11GAX0	5.65	117	159	175	210	270	1.25	-	RSIR	O	-	O	8.9	-	250	-
	QB66C16GAX0	6.55	131	180	200	244	325	1.31	-	RSIR	O	O	O	9.8	10.0	250	300
	QB77C18GAX0	7.69	145	202	224	272	354	1.31	-	RSIR	-	O	O	10.0	10.2	250	300
	QB91C24GAX0	9.07	162	226	255	320	445	1.26	-	RSIR	-	O	O	10.3	10.5	250	300
220V 60Hz	QB51C11GAX6	5.10	99	141	157	191	247	1.18	-	RSIR	O	-	-	8.7	-	250	-
	QB57C13GAX6	5.65	112	158	175	211	271	1.18	-	RSIR	O	-	-	8.9	-	250	-
	QB66C15GAX6	6.55	137	183	200	236	298	1.24	-	RSIR	O	O	O	9.4	9.6	250	300
	QB73C16GAX6	7.27	145	193	213	256	333	1.25	-	RSIR	O	O	O	9.5	9.7	250	300
	QB77C18GAX6	7.69	153	204	224	268	347	1.22	-	RSIR	-	O	O	9.6	9.8	250	300
	QB86C21GAX6	8.56	159	223	248	301	392	1.23	-	RSIR	-	O	O	10.1	10.3	250	300
	QB91C21GAX6	9.07	175	232	255	305	395	1.22	-	RSIR	-	O	O	10.1	10.3	250	300

Notes :

1) $W = \text{Capacity (kcal/h)} / 0.860$ 3) RSIR Resistance Start Induction Run
RSCR Resistance Start Capacitor Run5) ST Static cooling
OC Oil cooling2) $\text{C.O.P.} = \frac{\text{Capacity (kcal/h)} / 0.860}{\text{Motor input (W)}}$

4) Based on 220V

FC Fan cooling

6) Based on 60Hz

Test conditions (ASHRAE Condition)	R134a		R600a
	LBP	HBP	LBP
Evaporating temperature	-23.3°C	7.2°C	-23.3°C
Condensing temperature	54.4°C	54.4°C	54.4°C
Gas superheated to	32.2°C	35.0°C	32.2°C
Liquid subcooled to	32.2°C	46.1°C	32.2°C
Ambient temperature	32.2°C	35.0°C	32.2°C

NOTES: All data covered by this catalog are given as general information only
Since we are constantly improving our products, the specifications and availability are subject to change without notice

Dimensions

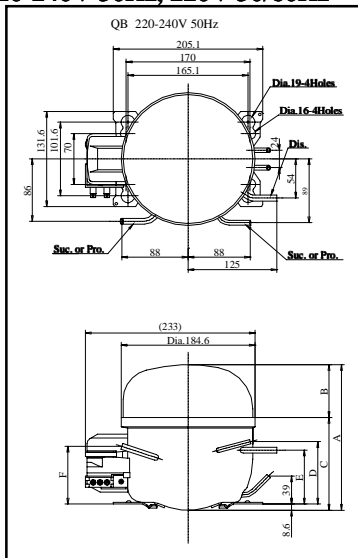
Application & Refrigerant LBP R134a

Voltage	Model	A	B	C	D	E	F	Tubes			
								D:Discharge	S:Suction	P:Process	O:Oil cooling
100V 50/60Hz	QB57C88RA00	195.2	73.0	122.2	83.4	68.6	83.4	4.9 I.D.	6.5 I.D.	6.5 I.D.	-
	QB66C12CA00	195.2	73.0	122.2	83.4	68.6	83.4	4.9 I.D.	6.5 I.D.	6.5 I.D.	-
	QB66C13RA00	206.0	83.8	122.2	83.4	68.6	83.4	4.9 I.D.	6.5 I.D.	6.5 I.D.	-
	QB86C18TA00	215.0	92.8	122.2	83.4	68.6	83.4	4.9 I.D.	6.5 I.D.	6.5 I.D.	(4.9 I.D.)
	QB91C18CA00	195.2	73.0	122.2	83.4	68.6	83.4	4.9 I.D.	6.5 I.D.	6.5 I.D.	-
220V 50Hz	QB66C13GAX5	195.2 (201.0)	73.0 (73.0)	122.2 (128.2)	83.4 (89.4)	68.6 (74.6)	83.4 (89.4)	4.9 I.D.	6.5 I.D.	6.5 I.D.	(4.9 I.D.)
	QB73C15GAX5	215.0 (221.0)	92.8 (92.8)	122.2 (128.2)	83.4 (89.4)	68.6 (74.6)	83.4 (89.4)	4.9 I.D.	6.5 I.D.	6.5 I.D.	(4.9 I.D.)
	QB77C16GAX5	215.0 (221.0)	92.8 (92.8)	122.2 (128.2)	83.4 (89.4)	68.6 (74.6)	83.4 (89.4)	4.9 I.D.	6.5 I.D.	6.5 I.D.	(4.9 I.D.)
	QB86C18GAX5	215.0 (221.0)	92.8 (92.8)	122.2 (128.2)	83.4 (89.4)	68.6 (74.6)	83.4 (89.4)	4.9 I.D.	6.5 I.D.	6.5 I.D.	(4.9 I.D.)
	QB91C19GAX5	215.0 (221.0)	92.8 (92.8)	122.2 (128.2)	83.4 (89.4)	68.6 (74.6)	83.4 (89.4)	4.9 I.D.	6.5 I.D.	6.5 I.D.	(4.9 I.D.)
220-240V 50Hz	QB51C74GAW5	195.2	73.0	122.2	83.4	68.6	83.4	4.9 I.D.	6.5 I.D.	6.5 I.D.	-
	QB57C87GAW5	195.2	73.0	122.2	83.4	68.6	83.4	4.9 I.D.	6.5 I.D.	6.5 I.D.	-
	QB66C97GAW5	195.2 (201.0)	73.0 (73.0)	122.2 (128.2)	83.4 (89.4)	68.6 (74.6)	83.4 (89.4)	4.9 I.D.	6.5 I.D.	6.5 I.D.	(4.9 I.D.)
	QB73C12GAW5	215.0 (221.0)	92.8 (92.8)	122.2 (128.2)	83.4 (89.4)	68.6 (74.6)	83.4 (89.4)	4.9 I.D.	6.5 I.D.	6.5 I.D.	(4.9 I.D.)
	QB77C13GAW5	215.0 (221.0)	92.8 (92.8)	122.2 (128.2)	83.4 (89.4)	68.6 (74.6)	83.4 (89.4)	4.9 I.D.	6.5 I.D.	6.5 I.D.	(4.9 I.D.)
	QB86C13GAW5	215.0 (221.0)	92.8 (92.8)	122.2 (128.2)	83.4 (89.4)	68.6 (74.6)	83.4 (89.4)	4.9 I.D.	6.5 I.D.	6.5 I.D.	(4.9 I.D.)
	QB91C16GAW5	215.0 (221.0)	92.8 (92.8)	122.2 (128.2)	83.4 (89.4)	68.6 (74.6)	83.4 (89.4)	4.9 I.D.	6.5 I.D.	6.5 I.D.	(4.9 I.D.)
220V 50/60Hz	QB51C99GAX0	195.2	73.0	122.2	83.4	68.6	83.4	4.9 I.D.	6.5 I.D.	6.5 I.D.	-
	QB57C11GAX0	195.2	73.0	122.2	83.4	68.6	83.4	4.9 I.D.	6.5 I.D.	6.5 I.D.	-
	QB66C16GAX0	195.2 (201.0)	73.0 (73.0)	122.2 (128.2)	83.4 (89.4)	68.6 (74.6)	83.4 (89.4)	4.9 I.D.	6.5 I.D.	6.5 I.D.	(4.9 I.D.)
	QB77C18GAX0	215.0 (221.0)	92.8 (92.8)	122.2 (128.2)	83.4 (89.4)	68.6 (74.6)	83.4 (89.4)	4.9 I.D.	6.5 I.D.	6.5 I.D.	(4.9 I.D.)
	QB91C24GAX0	215.0 (221.0)	92.8 (92.8)	122.2 (128.2)	83.4 (89.4)	68.6 (74.6)	83.4 (89.4)	4.9 I.D.	6.5 I.D.	6.5 I.D.	(4.9 I.D.)
		215.0 (221.0)	92.8 (92.8)	122.2 (128.2)	83.4 (89.4)	68.6 (74.6)	83.4 (89.4)	4.9 I.D.	6.5 I.D.	6.5 I.D.	(4.9 I.D.)
220V 60Hz	QB51C11GAX6	195.2	73.0	122.2	83.4	68.6	83.4	4.9 I.D.	6.5 I.D.	6.5 I.D.	-
	QB57C13GAX6	195.2	73.0	122.2	83.4	68.6	83.4	4.9 I.D.	6.5 I.D.	6.5 I.D.	-
	QB66C15GAX6	195.2 (201.0)	73.0 (73.0)	122.2 (128.2)	83.4 (89.4)	68.6 (74.6)	83.4 (89.4)	4.9 I.D.	6.5 I.D.	6.5 I.D.	(4.9 I.D.)
	QB73C16GAX6	215.0 (221.0)	92.8 (92.8)	122.2 (128.2)	83.4 (89.4)	68.6 (74.6)	83.4 (89.4)	4.9 I.D.	6.5 I.D.	6.5 I.D.	(4.9 I.D.)
	QB77C18GAX6	215.0 (221.0)	92.8 (92.8)	122.2 (128.2)	83.4 (89.4)	68.6 (74.6)	83.4 (89.4)	4.9 I.D.	6.5 I.D.	6.5 I.D.	(4.9 I.D.)
	QB86C21GAX6	215.0 (221.0)	92.8 (92.8)	122.2 (128.2)	83.4 (89.4)	68.6 (74.6)	83.4 (89.4)	4.9 I.D.	6.5 I.D.	6.5 I.D.	(4.9 I.D.)
	QB91C21GAX6	215.0 (221.0)	92.8 (92.8)	122.2 (128.2)	83.4 (89.4)	68.6 (74.6)	83.4 (89.4)	4.9 I.D.	6.5 I.D.	6.5 I.D.	(4.9 I.D.)
		215.0 (221.0)	92.8 (92.8)	122.2 (128.2)	83.4 (89.4)	68.6 (74.6)	83.4 (89.4)	4.9 I.D.	6.5 I.D.	6.5 I.D.	(4.9 I.D.)

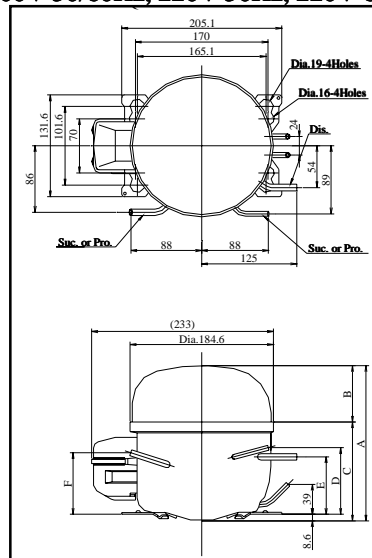
(unit: mm)

Notes: Data in parentheses show the dimensions of the compressor equipped with an oil cooler tube.

220-240V 50Hz, 220V 50/60Hz



100V 50/60Hz, 220V 50Hz, 220V 60Hz



NOTES: All data covered by this catalog are given as general information only. Since we are constantly improving our products, the specifications and availability are subject to change without notice.