



© ELECTROLUX ZANUSSI S.p.A. VIA GIARDINI CATTANEO, 3	Publication no.		COMPRESSORS for R134a and R600a	
I - 33170 PORDENONE (ITALY)	599 32 91-15			
Fax (0434) 394096	011023 IT/SERVICE/AA			

This publication updates and replaces the previous.

CONTENTS

GENERAL CHARACTERISTICS	4
Compressors for R134a.....	4
Compressors for R600a.....	5
ZEM 1 picture.....	7
ZEM 2 picture.....	8
ZEM 3 picture.....	9
ZEM 4 picture.....	10
ZEM 5 picture.....	11
ZEM 6 picture.....	12
UNIDAD HERMETICA COMPRESSORS.....	15
UNIDAD HERMETICA COMPRESSORS.....	16
UNIDAD 1 picture.....	16
UNIDAD 2 picture.....	17
UNIDAD 3 picture.....	18
UNIDAD 4 picture.....	19
VERDICHTER COMPRESSORS.....	20
VERDICHTER 1 picture.....	20
VERDICHTER 2 picture.....	21
VERDICHTER 3 Picture	22
DANFOSS COMPRESSORS.....	26
DANFOSS 1 picture	26
EMBRACO COMPRESSORS.....	27
EMBRACO 1 picture.....	27
ASPERA COMPRESSORS	28
ASPERA 1 picture.....	28
ASPERA 2 picture.....	29
ASPERA 3 picture.....	30
MATSUSHITA COMPRESSORS.....	31
MATSUSHITA 1 picture.....	31
TECUMSEH COMPRESSORS.....	32
TECUMSEH 1 picture.....	32
COMPRESSOR – WATER DEFROST TRAY MATCHING	33
SUMMARY TABLE OF DEFROST WATER TRAYS.....	35
DANFOSS COMPRESSORS.....	37
APPENDIX.....	38
COMPRESSORS FOR R134a SORTED BY SPARE PART NO.	1A
COMPRESSORS FOR R600a SORTED BY SPARE PART NO.	1B
COMPRESSORS FOR R134a SORTED BY MODEL	1C
COMPRESSORS FOR R600a SORTED BY MODEL	1D
COMPRESSORS FOR R134a SORTED BY RATED POWER.....	1E
COMPRESSORS FOR R600a SORTED BY RATED POWER.....	1F

GENERAL CHARACTERISTICS

Compressors for R134a

- The replacement of CFC refrigerants (R12), considered being one of the causes of the gradual destruction of the ozone layer in the atmosphere, with HFC refrigerants (R134a) have led to the production of a new series of compressors which take into consideration the different physical and thermodynamic properties of the two refrigerating fluids.

The differences between R134a and R12 are the following:

- Higher compression pressure
- Lower evaporation pressure
- Lower density, both as a liquid and as vapour (especially at low temperature)

R134a compressors have a new internal design and use a new ester-type lubricating oil.

This new type of oil is necessary because mineral oil is not soluble in the new R134a.

The new oil has other favourable characteristics: it is, for example, highly biodegradable. However, it is also very hygroscopic and readily absorbs water and water vapour from the air.

The compressor range for R134a includes the following series:

- "GL" ZEM series
- "GLY" ZEM series
- "GQY" ZEM series
- "OF" VERDICHTER series
- "GD" UNIDAD HERMETICA series
- "DB" MATSUSHITA series
- "THB" TECUMSEH series

As there are different refrigerant fluids and different constructive and functional features of the compressors, their specific use is binding for the type of gas that is filled in the appliance that must be filled or in case of replacement of the compressor because it is out of order.

The GL series has the following versions: "AA", "AH", "AK" and "AH-HT"

"AA" is the standard version;

"AH" is the high efficiency version;

"AK" is the high efficiency version with higher electric motor; this last device allows switching on the compressor in critical conditions,

"AH-HT" is the high efficiency version with higher electric motor which can guarantee a good functionality at high temperatures.

For all versions follow the instructions of the suction and service pipes connection.

In "AH and AK" versions the use of a running capacitor is mandatory.

NOTE: in some cases, for production necessity, these compressors have been used with a right suction pipe, accepting therefore the rise of absorbed power.

GQ series identifies the compressors of "resting" type that have lower noise levels, in fact, in the compressors of "resting" type, the suspension internal springs of the electric motor are positioned at the bottom of the compressor casing while in the compressors of "hanging" type the springs are positioned in the centre of the casing.

GENERAL CHARACTERISTICS

Compressors for R600a

At the beginning of 1994 the R600a or Isobutane (CH₄H₁₀) and the R134a (HFC) have replaced the R12 (CFC).

R600a is a flammable Hydrocarbon. Hydrocarbons have the property to disperse in the atmosphere in a short period of time (weeks).

The physical and thermodynamic properties of R600a slightly differ from the properties of the R134a and of the R12.

To compensate for the different efficiency characteristics of the new refrigerant a specific range of high efficiency and low noise compressors has been produced.

The compressors take into consideration the different characteristics of the fluid:

- Lower compression pressure
- Very low evaporation pressure
- Lower density both as liquid and as vapour (especially at low temperatures).

These compressors have undergone an increase in displacement in order to compensate the different yield of Isobutane while at the same time using motors of limited power.

The range of R600a compressors includes the following series:

"HL" ZEM series
"HLY" ZEM series
"HPT" ZEM series
"HQY" ZEM series
"HQT" ZEM series
"HQM" ZEM series
"HTK" VERDICHTER series
"HV" VERDICHTER series
"HVV" VERDICHTER series
"HP" UNIDAD HERMETICA series
"FGS" EMBRACO series
"TL" DANFOSS series
"NBK" ASPERA series
"NBT" ASPERA series
"EMU" ASPERA series
"BP" ASPERA series

All above models have an internal muffle with semi-direct suction of the refrigerant. To take advantage of their full efficiency it is indispensable that suction and service pipes be connected according to the instructions (suction line should never be connected to service pipe and vice versa).

All are equipped with a PTC for starting and a running capacitor.

For safety reasons the overload cut-out is no longer "open" but sealed with a plug.

The lubricating oil can be of the normal type or synthetic. These oils in fact mix optimally with the Hydrocarbons and do not create any hygroscopicity problems.

As far as operating pressures and temperatures are concerned these compressors have lower noise levels and operate at lower temperatures.

Like for R134a the use of the specific compressor is binding for the type of refrigerant fluid that is filled in the appliance that must be filled or in case of replacement of the compressor because it is out of order.

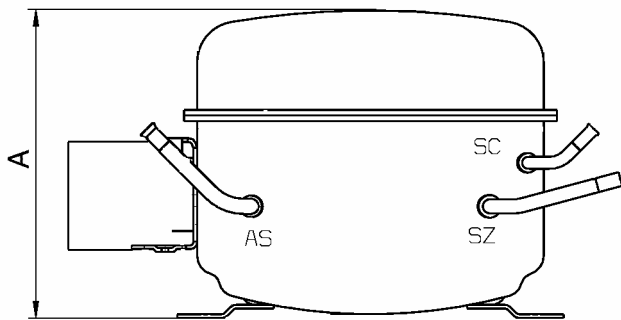
HQ and HTK series identify the compressors of "resting" type that have lower noise levels, in fact, in the compressors of "resting" type, the internal suspension springs of the electric motor are positioned at the bottom of the compressor casing while in the "hanging" compressors the springs are positioned in the centre of the casing.

ZEM 1 picture

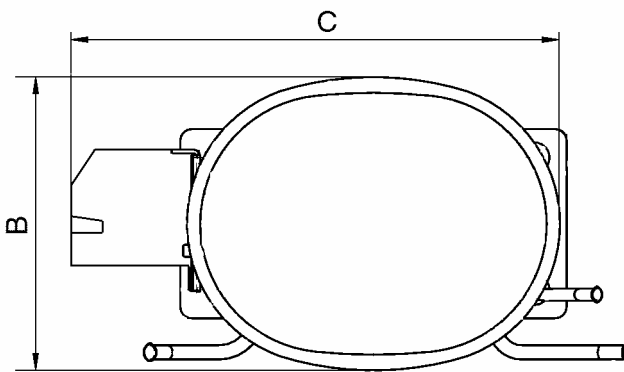
Till serial no. 9416..... the traditional compressors with bended brackets have been used in production.

Disposition of pipes and A, B, C dimensions of compressors.

ZEM 1 picture



LEGENDA	
SC	SCARICO DISCHARGE
AS	ASPIRAZIONE SUCTION
SZ	SERVIZIO SERVICE

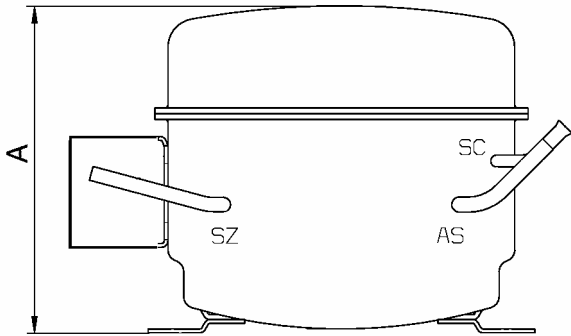


2260009

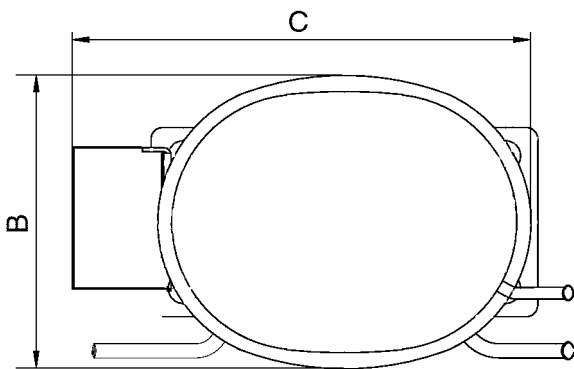
ZEM 2 picture

Disposition of pipes and A, B, C dimensions of compressors.

ZEM 2 picture



LEGENDA	
SC	SCARICO DISCHARGE
AS	ASPIRAZIONE SUCTION
SZ	SERVIZIO SERVICE



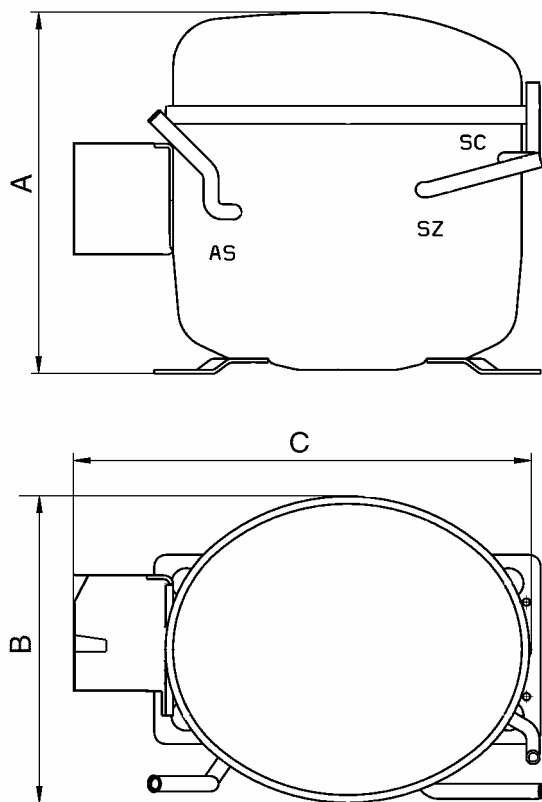
2260016

ZEM 3 picture

From serial no. 9416..... the round casing compressors have been used in production.
This type of compressors differs from the previous in the shape of the casing and therefore has a new defrost water tray.

Disposition of pipes and A, B, C dimensions of compressors.

ZEM 3 picture



LEGENDA	
SC	SCARICO DISCHARGE
AS	ASPIRAZIONE SUCTION
SZ	SERVIZIO SERVICE

2260020

ZEM 4 picture

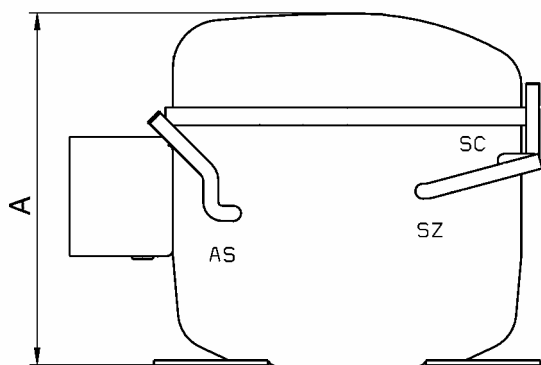
From serial no. 9601..... the compressors with round casing and plane brackets have been used in production.

Also the motor support crossbars have been modified.

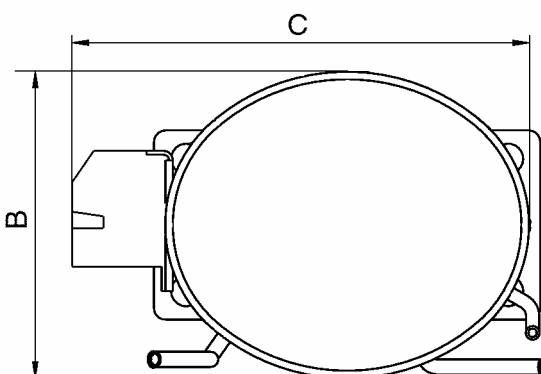
The defrost water trays are the same as in the previous version (ZEM 3 picture).

Disposition of pipes and A, B, C dimensions of compressors.

ZEM 4 picture



LEGENDA	
SC	SCARICO DISCHARGE
AS	ASPIRAZIONE SUCTION
SZ	SERVIZIO SERVICE



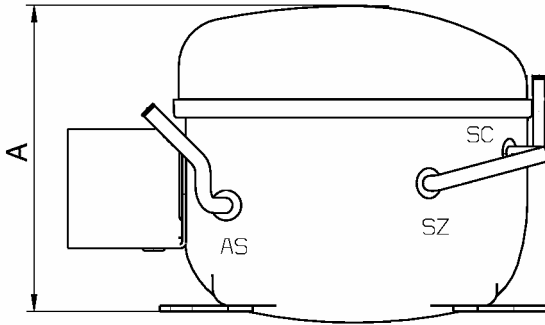
2260032

ZEM 5 picture

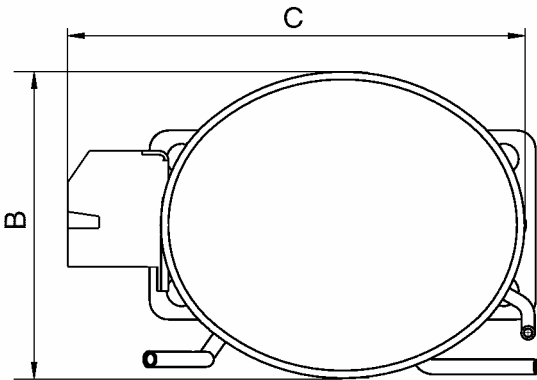
The "Q" range identifies the compressors of resting type.

Disposition of pipes and A, B, C dimensions of compressors.

ZEM 5 picture



LEGENDA	
SC	SCARICO DISCHARGE
AS	ASPIRAZIONE SUCTION
SZ	SERVIZIO SERVICE



2260049

ZEM 6 picture

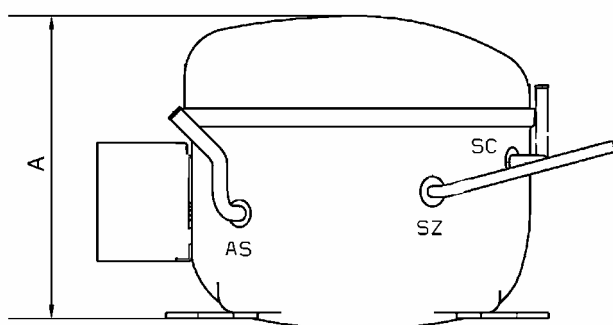
The “Q” range identifies the compressors of resting type (as the previous picture ZEM 5) but with the following differences:

- The junction box, called “ K “, has changed and has a new displacement of the contacts, therefore, in case this compressor is used to replace one of a different type, it is necessary to carry out the electric connections as shown in ZEM 6a picture;
- The new cover of the junction box has a different hooking system so as to comply with the safety rules. In ZEM 6b picture it is represented the demounting procedure of the junction box cover ;
- The new service pipe is 93 mm. long and has a Ø 6 mm. external diameter, thus leading to a distinction of the two following cases :
 - in case of replacement of the compressor, the advantage is that it is not necessary to lengthen the service pipe to load the refrigerant, thus avoiding to carry out a sealing;
 - in case of operation on the compressor, if it is necessary to lengthen the service pipe, before carrying out any forge weldings, it is MANDATORY to follow the evacuation rules of R600a gas. Alternately it is possible to use also the LOKRING joints.

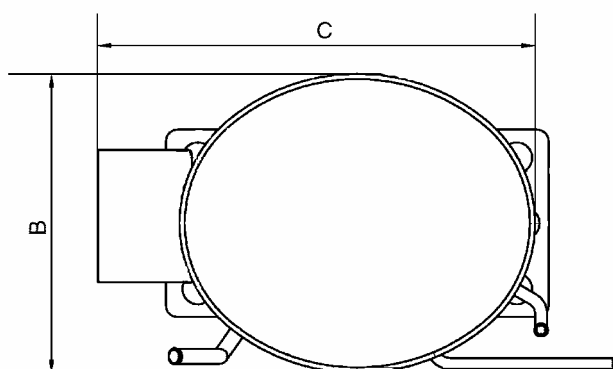
The A end of the copper pipe with no. 2219390016 (ZEM 6c picture) to lengthen the service pipe is used to carry out the junction (with reduced diameter) with the compressor pipe by forge welding, while B end can be used to carry out the junction by using the LOKRING joint.

Disposition of pipes and A, B, C dimensions of compressors.

ZEM 6 picture

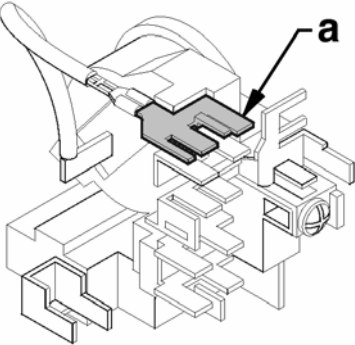
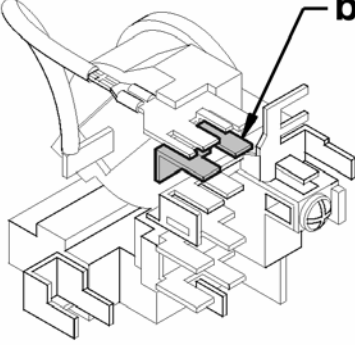
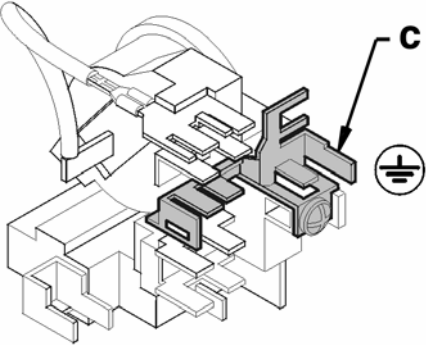
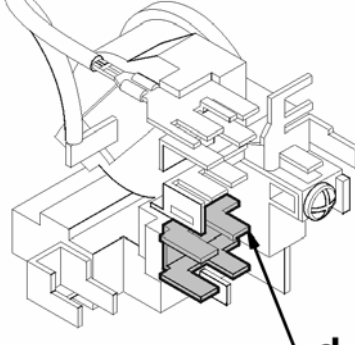


LEGENDA	
SC	SCARICO DISCHARGE
AS	ASPIRAZIONE SUCTION
SZ	SERVIZIO SERVICE

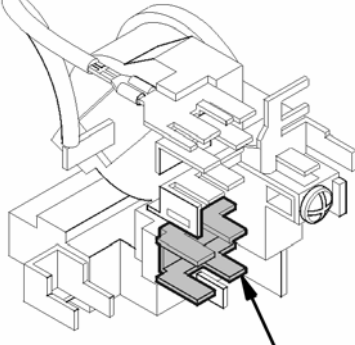
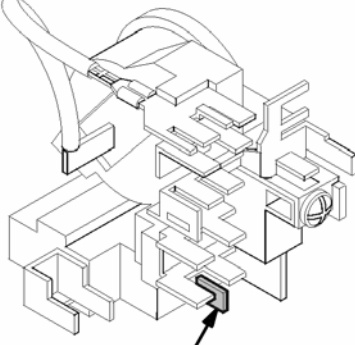


2260050

ZEM 6a picture

 <p style="text-align: center;">cd000942</p>	 <p style="text-align: center;">cd000943</p>
<p>a thermostat cable (1) ;</p>	<p>b) power cable (L) ; [brown cable]</p>
 <p style="text-align: center;">cd000944</p>	 <p style="text-align: center;">cd000946</p>
<p>c) power cable (\oplus) ; [yellow-green cable]</p>	<p>d) power cable (N) ; [blue cable]</p>

OPTIONAL! (where foreseen)

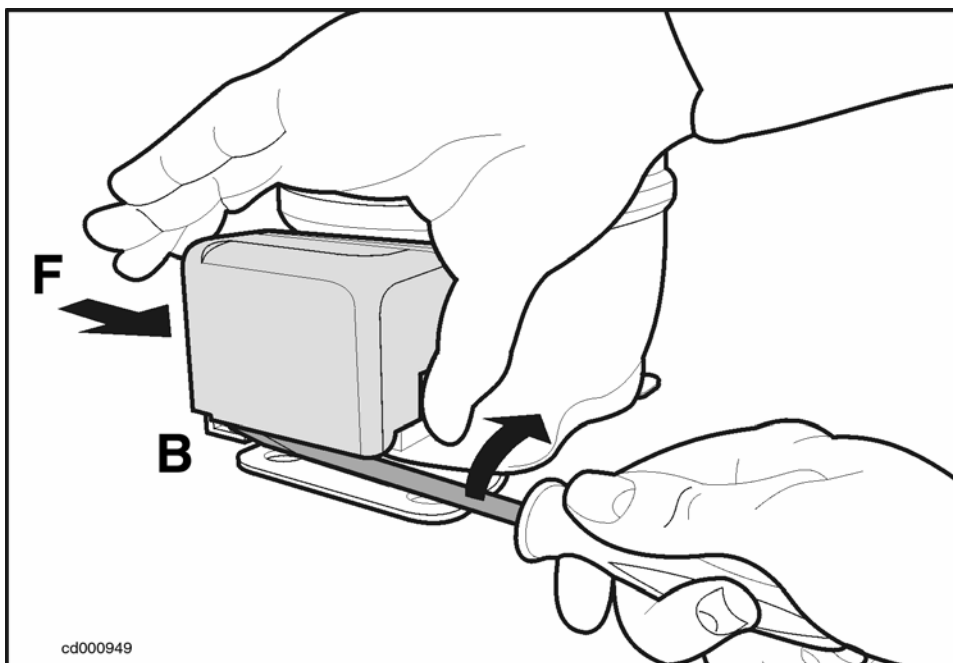
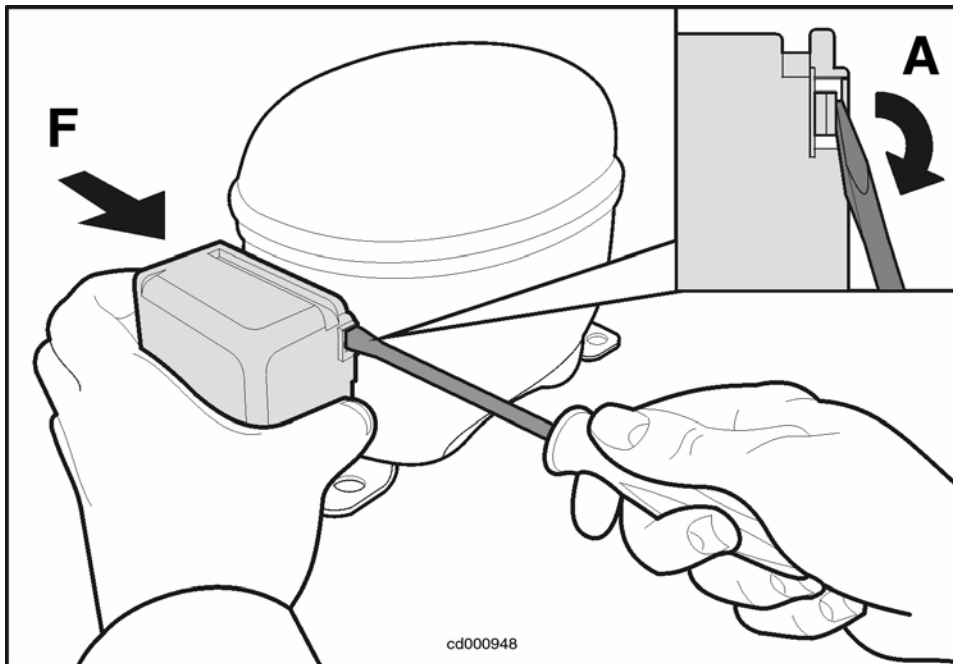
 <p style="text-align: center;">cd000945</p>	 <p style="text-align: center;">cd000947</p>
<p>e) capacitor cable (N) ; [blue cable]</p>	<p>f capacitor cable; [brown cable]</p>

ZEM 6b picture

The cover of the junction box has an **A** hook and a **B** hook fitted into the junction box.

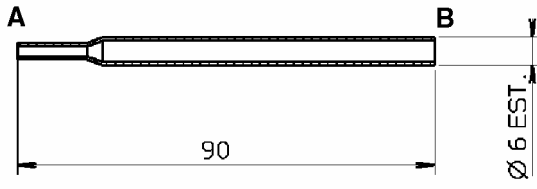
To unhook and remove the cover from the junction box it is necessary to carry out the following operations:

- 1) With a help of a screwdriver, firstly unhook the **A** hook by rotating the end and, at the same time, push the cover with the hand towards the direction of **F** arrow;
- 2) Afterwards, unhook **B** hook while pressing the cover as indicated by **F** arrow.



To remount the cover on the junction box just inserts it into the proper slides.

ZEM 6c picture

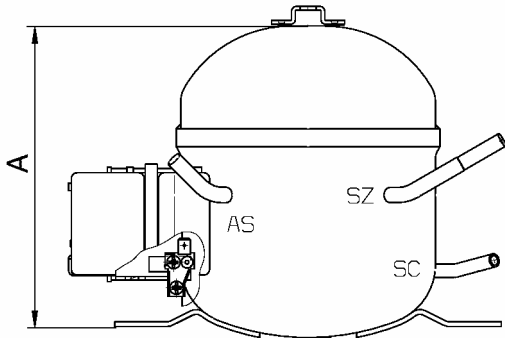


UNIDAD HERMETICA COMPRESSORS

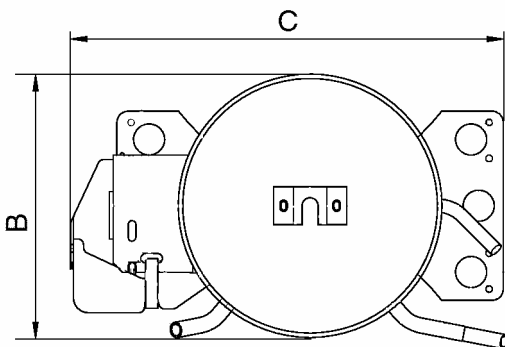
UNIDAD 1 picture

Disposition of pipes and A, B, C dimensions of compressors.

UNIDAD 1 picture



LEGENDA	
SC	SCARICO DISCHARGE
AS	ASPIRAZIONE SUCTION
SZ	SERVIZIO SERVICE



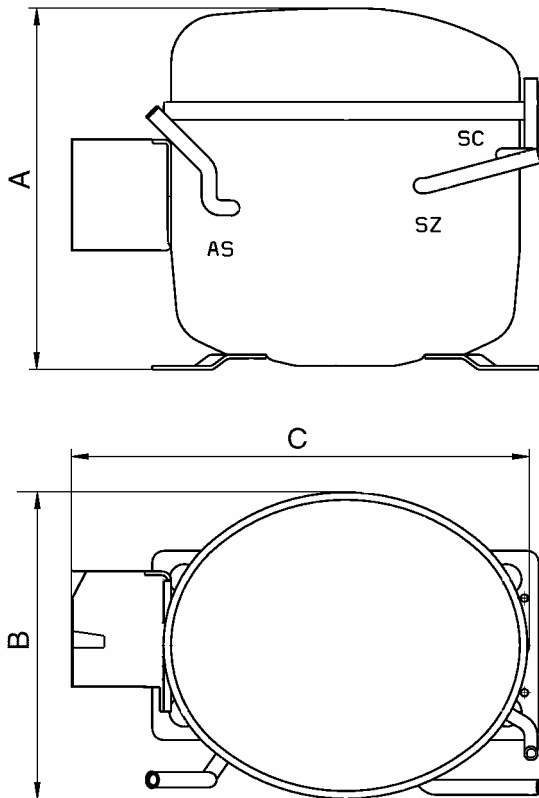
2260014

UNIDAD 2 picture

From serial no. 9416..... the compressors with "round casing" have been used in production.

Disposition of pipes and A, B, C dimensions of compressors.

UNIDAD 2 picture



LEGENDA	
SC	SCARICO DISCHARGE
AS	ASPIRAZIONE SUCTION
SZ	SERVIZIO SERVICE

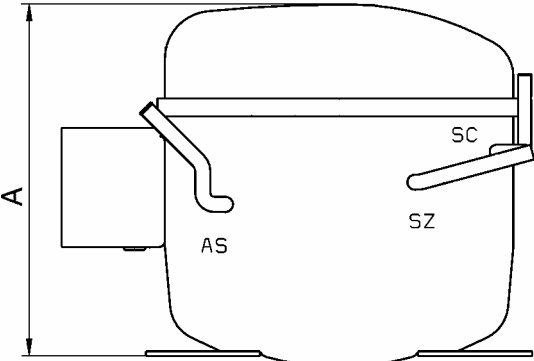
2260020

UNIDAD 3 picture

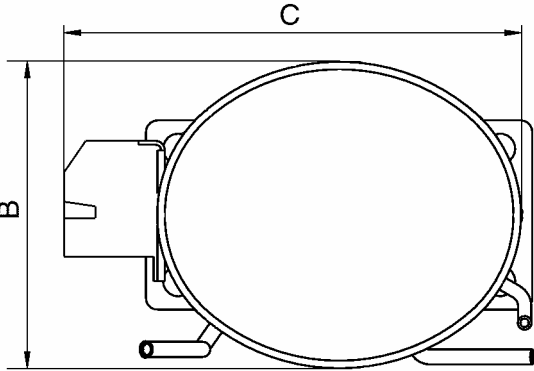
From serial no. 9601..... the compressors with "round casing and flat brackets" have been used in production.

Disposition of pipes and A, B, C dimensions of compressors.

UNIDAD 3 picture



LEGENDA	
SC	SCARICO DISCHARGE
AS	ASPIRAZIONE SUCTION
SZ	SERVIZIO SERVICE

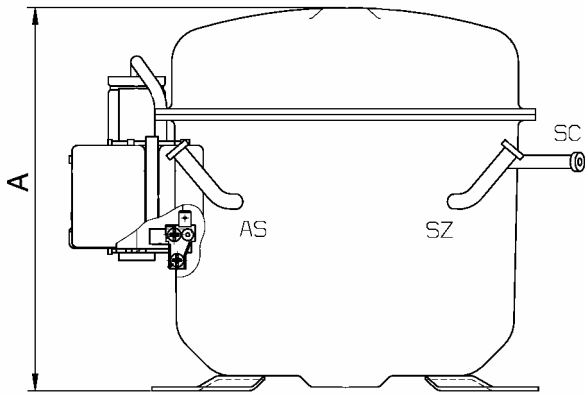


2260032

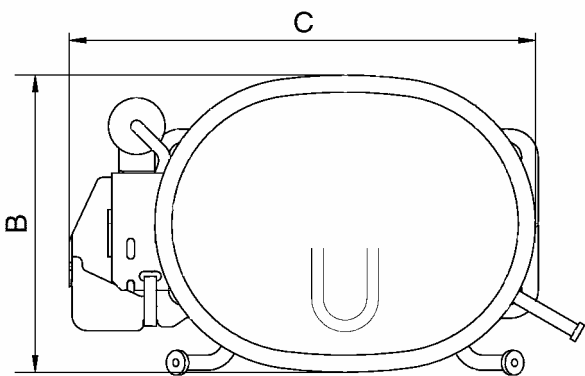
UNIDAD 4 picture

Disposition of pipes and A, B, C dimensions of compressors.

UNIDAD 4 picture



LEGENDA	
SC	SCARICO DISCHARGE
AS	ASPIRAZIONE SUCTION
SZ	SERVIZIO SERVICE



2260021

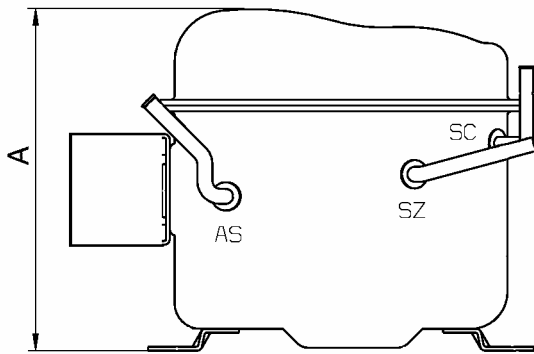
VERDICHTER COMPRESSORS

VERDICHTER 1 picture

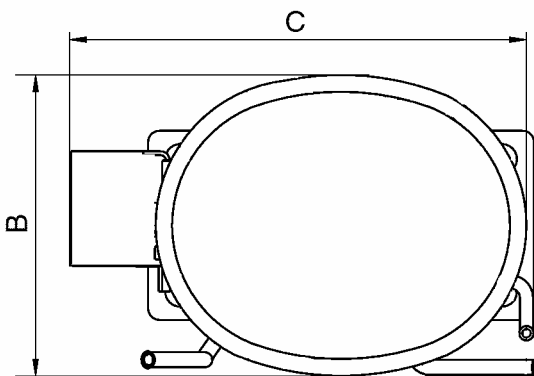
From serial no. 9416..... to 9601..... the traditional compressors have been used in production.

Disposition of pipes and A, B, C dimensions of compressors.

VERDICHTER 1 picture



LEGENDA	
SC	SCARICO DISCHARGE
AS	ASPIRAZIONE SUCTION
SZ	SERVIZIO SERVICE



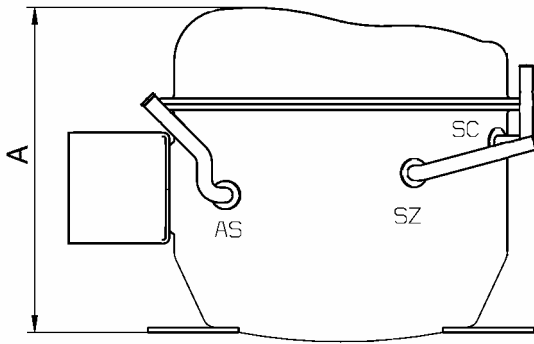
2260017

VERDICHTER 2 picture

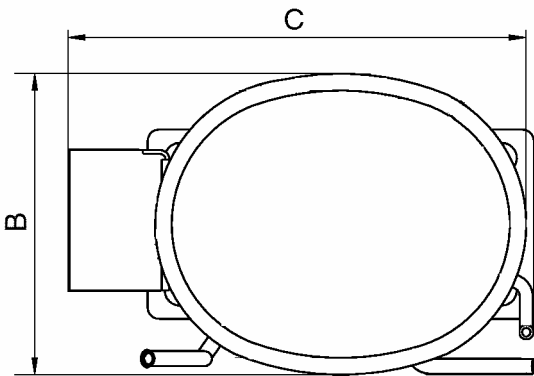
From serial no. 9601..... the compressors with "flat brackets" have been used in production.

Disposition of pipes and A, B, C dimensions of compressors.

VERDICHTER 2 picture



LEGENDA	
SC	SCARICO DISCHARGE
AS	ASPIRAZIONE SUCTION
SZ	SERVIZIO SERVICE



2260033

VERDICHTER 3 Picture

The “ K “ compressor identifies the compressors of resting type.

The new junction box, called “ K “ , has a different displacement of the contacts, therefore, in case this compressor is used to replace one of a different type, it is necessary to carry out the electric connections as shown in VERDICHTER 3a picture ;

The new cover of the junction box has a different hooking system so as to comply with the safety rules. In VERDICHTER 3b picture it is represented the demounting procedure of the junction box cover;

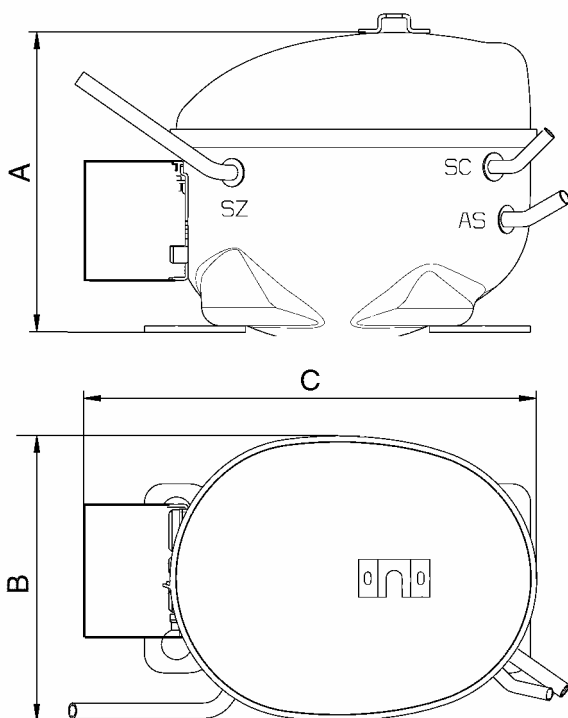
The new service pipe is about 93 mm. long and a Ø 6 mm. external diameter, thus leading to a distinction of the two following cases:

- in case of replacement of the compressor, the advantage is that it is not necessary to lengthen the service pipe to load the refrigerant, thus avoiding to carry out a sealing ;
- in case of operation on the compressor, if it is necessary to lengthen the service pipe, before carrying out any forge weldings, it is MANDATORY to follow the evacuation rules of R600a gas. Alternately it is possible to use also the LOKRING joints.

The A end of the copper pipe with no. 2219390016 (ZEM 6c picture) to lengthen the service pipe is used to carry out the junction (with reduced diameter) with the compressor pipe by forge welding, while, B end can be used to carry out the junction by using the LOKRING joint.

Disposition of pipes and A, B, C dimensions of compressors.

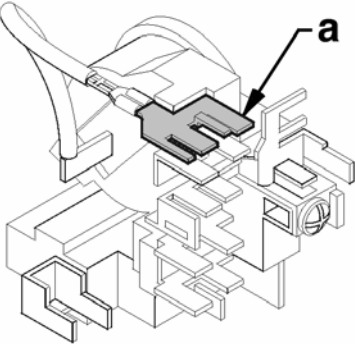
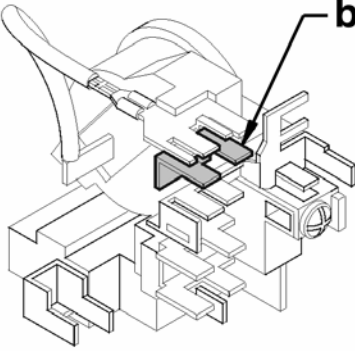
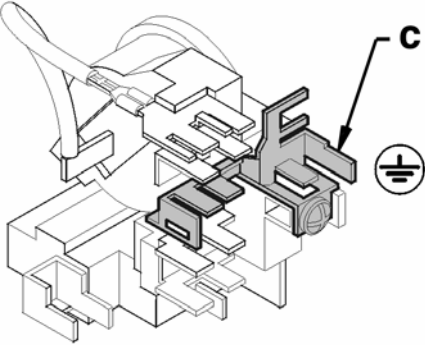
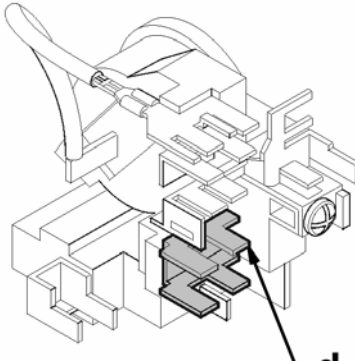

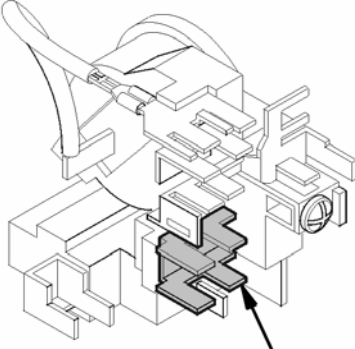
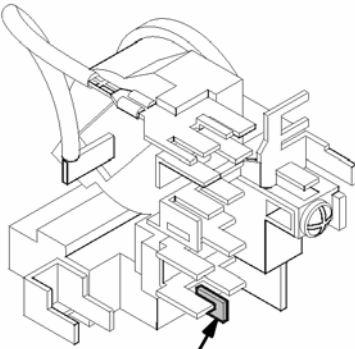
VERDICHTER 3 picture



LEGENDA	
SC	SCARICO DISCHARGE
AS	ASPIRAZIONE SUCTION
SZ	SERVIZIO SERVICE

2260051

VERDICHTER 3a picture

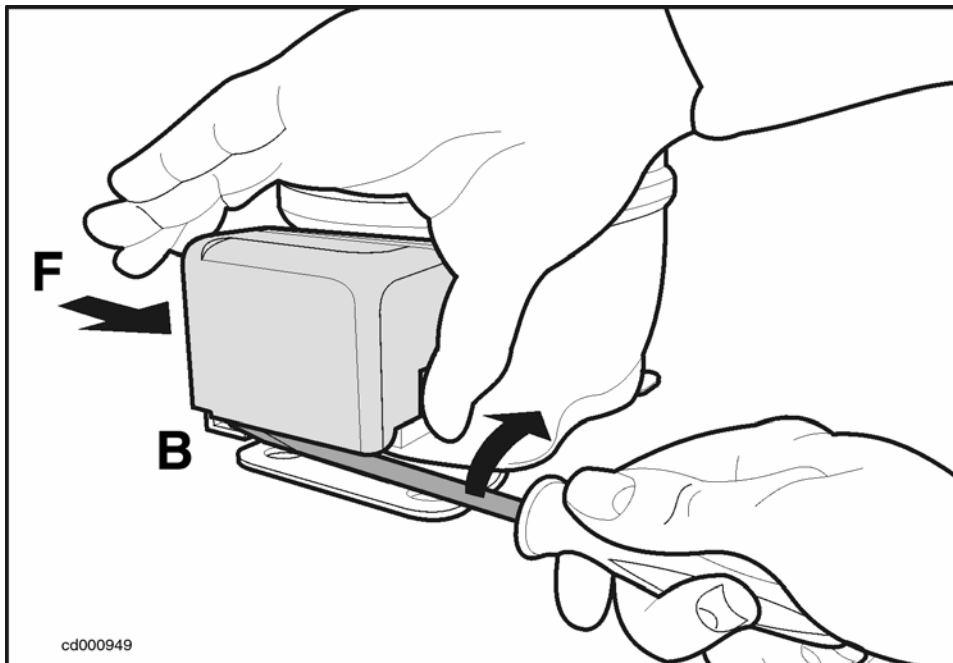
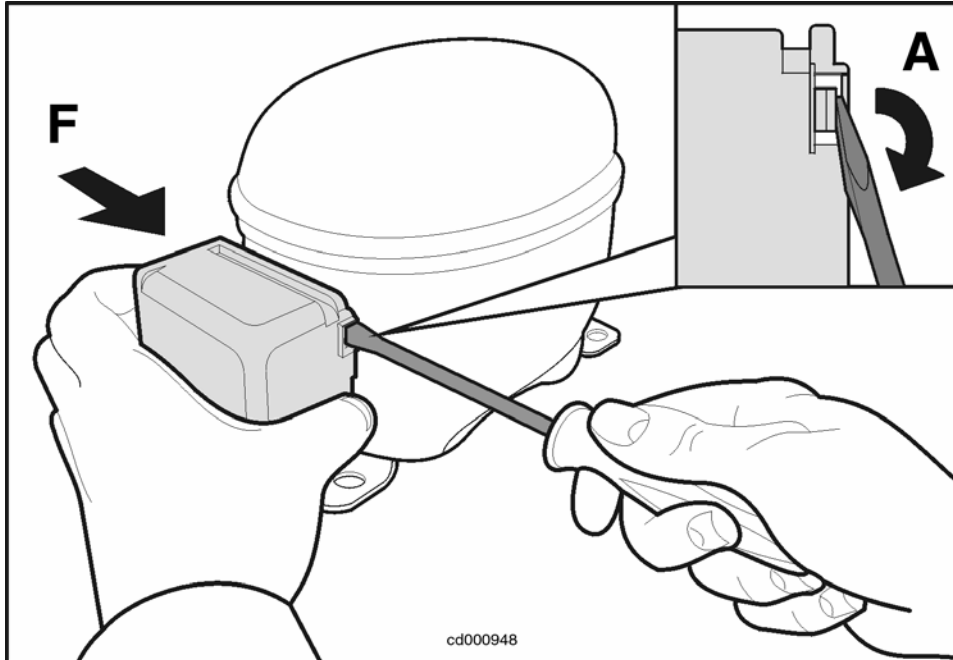
 <p style="text-align: center;">cd000942</p>	 <p style="text-align: center;">cd000943</p>
<p>a) thermostat cable (1) ;</p>	<p>b) power cable (L) ; [brown cable]</p>
 <p style="text-align: center;">cd000944</p>	 <p style="text-align: center;">cd000946</p>
<p>c) power cable () ; [yellow - green cable]</p>	<p>d) power cable (N) ; [blue cable]</p>
<p>OPTIONAL! (if foreseen)</p>	
 <p style="text-align: center;">cd000945</p>	 <p style="text-align: center;">cd000947</p>
<p>e) capacitor cable (N) ; [blue cable]</p>	<p>f) capacitor cable ; [brown cable]</p>

VERDICHTER 3b picture

The cover of the junction box has an **A** hook and a **B** hook and it is inserted into the junction box.

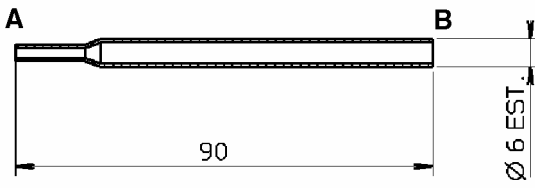
To unhook and remove the cover from the junction box it is necessary to carry out the following steps:

- 3) With the help of a screwdriver firstly unhook the **A** hook by rotating the end and, at the same time, push the cover with a hand as indicated by **F** arrow;
- 4) Afterwards, unhook the **B** hook while pressing the cover as indicated by **F** arrow.



To remount the cover on the junction box just reinserts it into the proper slides.

VERDICHTER 3c picture

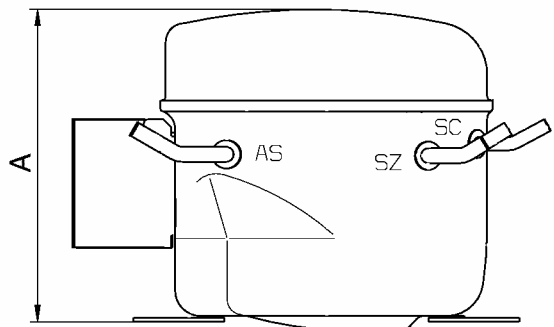


DANFOSS COMPRESSORS

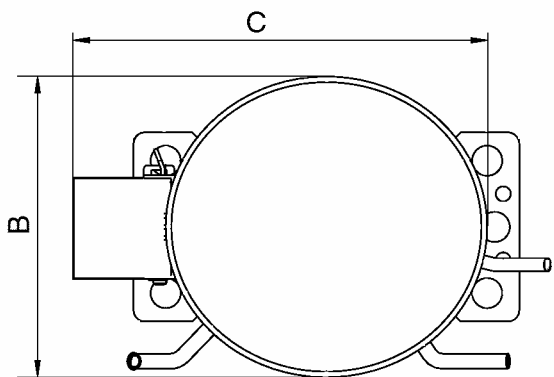
DANFOSS 1 picture

Disposition of pipes and A, B, C dimensions of compressors.

DANFOSS 1 picture



LEGENDA	
SC	SCARICO DISCHARGE
AS	ASPIRAZIONE SUCTION
SZ	SERVIZIO SERVICE



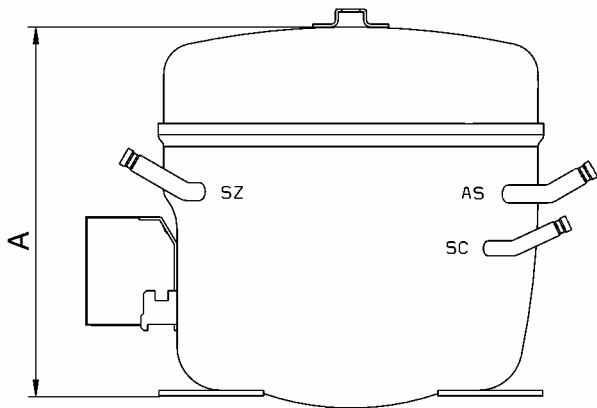
2260024

EMBRACO COMPRESSORS

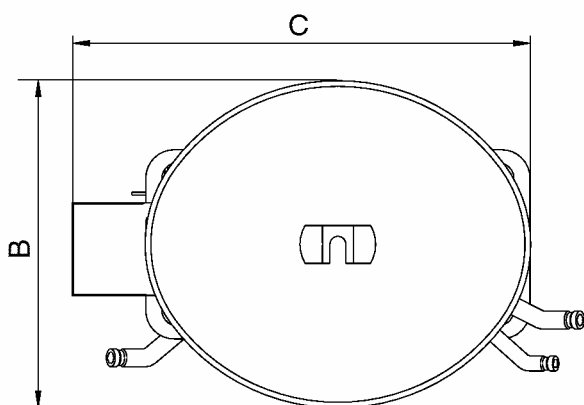
EMBRACO 1 picture

Disposition of pipes and A, B, C dimensions of compressors.

EMBRACO 1 picture



LEGENDA	
SC	SCARICO DISCHARGE
AS	ASP I R A Z I O N E S U C T I O N
SZ	S E R V I Z I O S E R V I C E



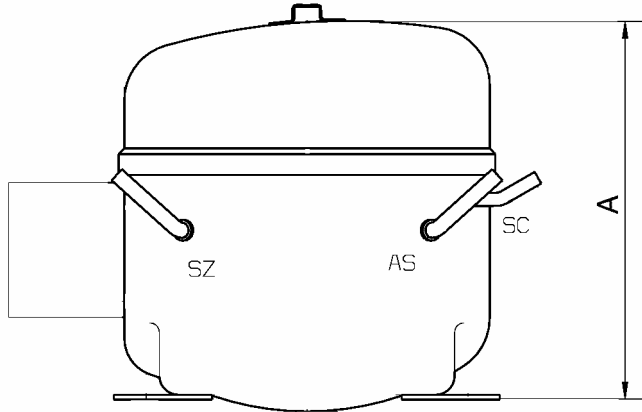
2260025

ASPERA COMPRESSORS

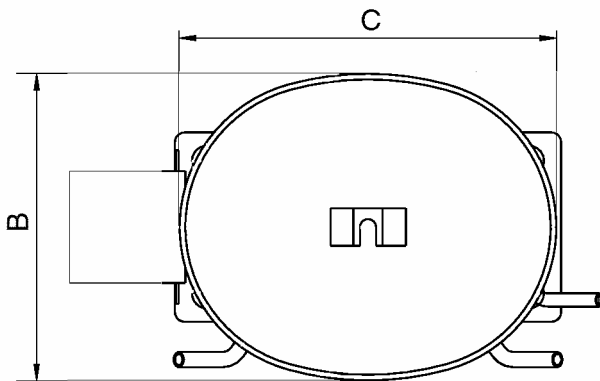
ASPERA 1 picture

Disposition of pipes and A, B, C dimensions of compressors.

ASPERA 1 picture



LEGENDA	
SC	SCARICO DISCHARGE
AS	ASPIRAZIONE SUCTION
SZ	SERVIZIO SERVICE



2260035

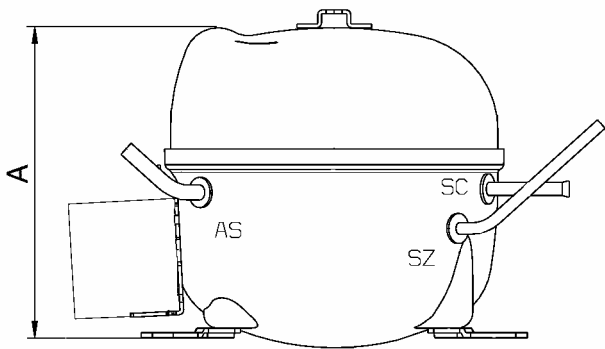
ASPERA 2 picture

In EMU series the service pipe has a $\varnothing 6$ mm external diameter, therefore, if it were necessary to lengthen it, before carrying out any forge weldings, it is MANDATORY to follow the evacuation rules of R600a gas. Alternately it is possible to use also the LOKRING joints.

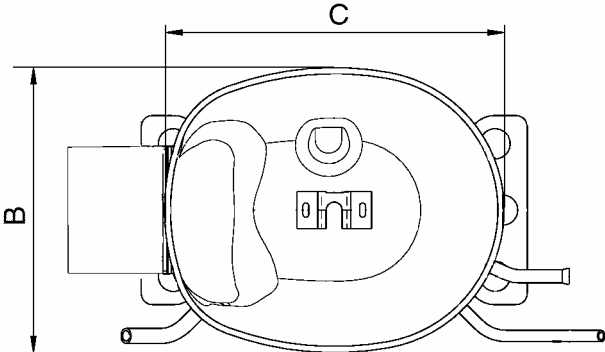
The A end of the copper pipe with no. 2219390016 (picture ASPERA 2a) to lengthen the service pipe (con diametro ridotto) is used to joint the compressor pipe by forge welding, while B end can be used to carry out the junction with LOKRING joint.

Disposition of pipes and A, B, C dimensions of compressors.

ASPERA 2 picture

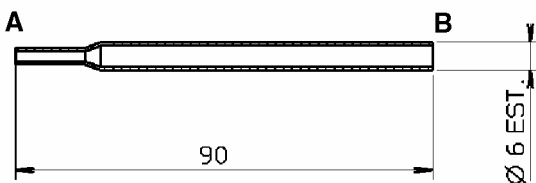


LEGENDA	
SC	SCARICO DISCHARGE
AS	ASPIRAZIONE SUCTION
SZ	SERVIZIO SERVICE



2260043

ASPERA 2a picture

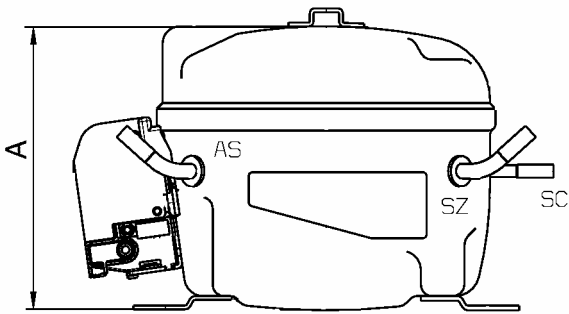


ASPERA 3 picture

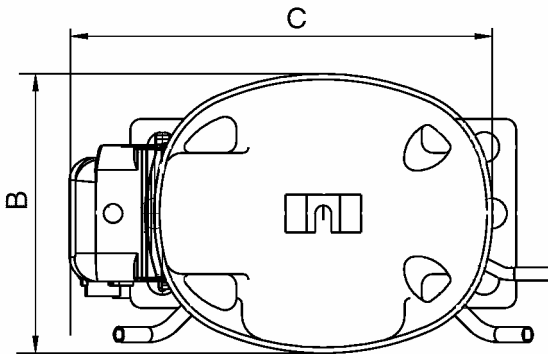
These compressors are of BP series.

Disposition of pipes and A, B, C dimensions of compressors.

ASPERA 3 picture



LEGENDA	
SC	SCARICO DISCHARGE
AS	ASPIRAZIONE SUCTION
SZ	SERVIZIO SERVICE



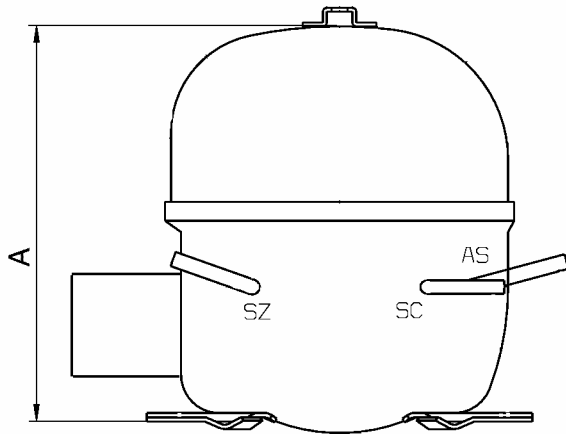
2260047

MATSUSHITA COMPRESSORS

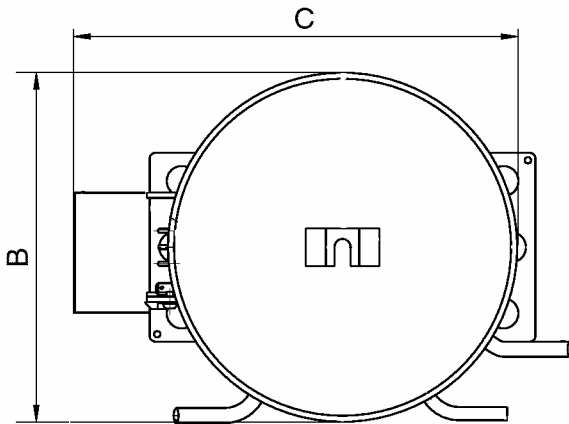
MATSUSHITA 1 picture

Disposition of pipes and A, B, C dimensions of compressors.

MATSUSHITA 1 picture



LEGENDA	
SC	SCARICO DISCHARGE
AS	ASPIRAZIONE SUCTION
SZ	SERVIZIO SERVICE



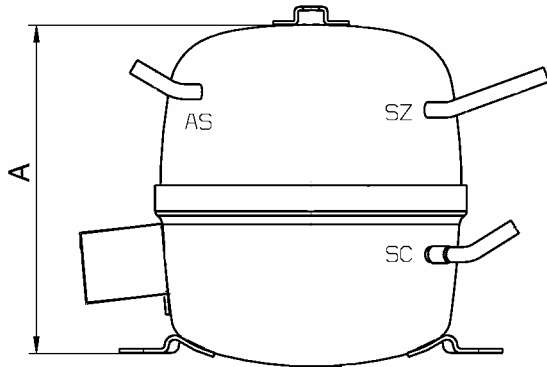
2260042

TECUMSEH COMPRESSORS

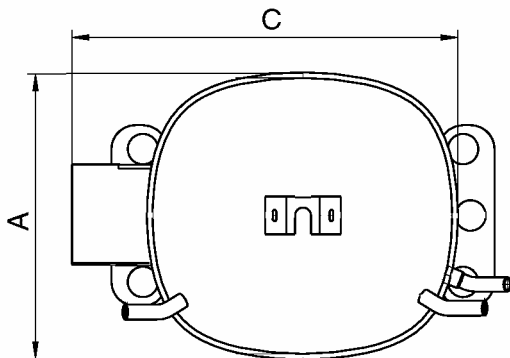
TECUMSEH 1 picture

Disposition of pipes and A, B, C dimensions of compressors.

TECUMSEH 1 picture



LEGENDA	
SC	SCARICO DISCHARGE
AS	ASPIRAZIONE SUCTION
SZ	SERVIZIO SERVICE



2260052

COMPRESSOR – WATER DEFROST TRAY MATCHING

In case of replacement of a compressor, it is necessary to compare the tray no. described in the spare parts list with the no. described in the **A table** because if they are different it will be necessary to replace not only the compressor, but also the defrost water tray, see no. in **A table**.



IMPORTANTE: the defrost water tray is an important element to guarantee a good functioning of the appliance and its safety. Therefore it is necessary that the tray adheres perfectly to the compressor casing and that it samples all the water coming from the drain channel, so trays incompatible with the compressors should not be used.

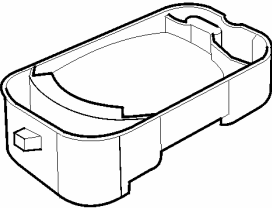
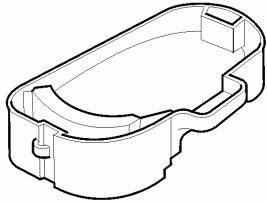
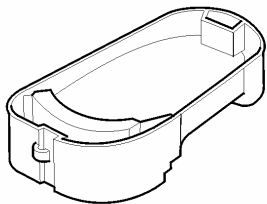
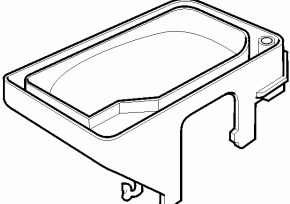
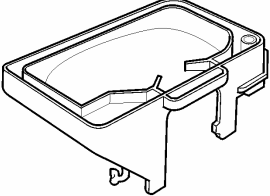
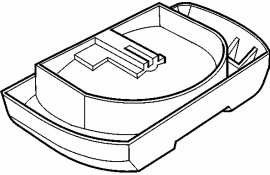
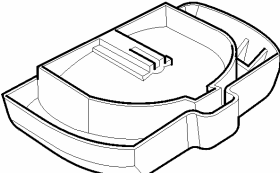
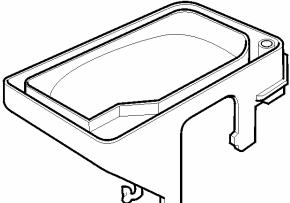
In some appliances of the same range, the drain channel finds in different positions therefore it is necessary to use trays with extra compartments to sample the water.

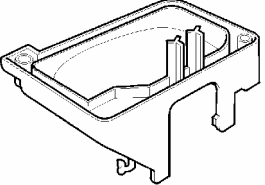
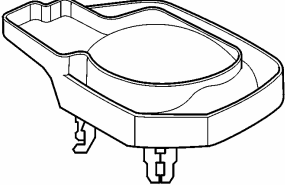
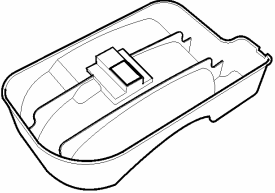
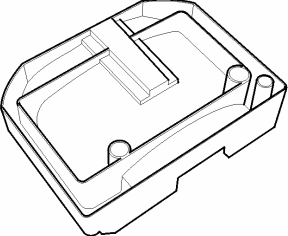
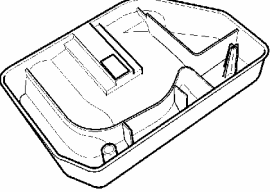
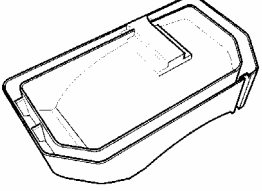
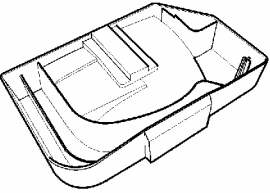
A table:

Compressor part no	Model	Tray part no.	Tray part no. (with 1 compartment)	Tray part no. (with 2 compartments)
2260009 xxx	ZEM	2232010013	2232011011	2232009015
2260017 xxx	VERDICHTER	2232026019 interchangeable 2232026050	-	-
2260020 xxx	ZEM	2232028015 interchangeable 2232028064	2232028031 interchangeable 2232028072	-
2260024 xxx	DANFOSS	2232030011	-	-
2260025 xxx	EMBRACO	2232033015 interchangeable 2232043014 interchangeable 2232043030 interchangeable 2232043097	-	-
2260026 xxx	EMBRACO	-	2232034033 interchangeable 2232043048 interchangeable 2232043105	-
2260032 xxx	ZEM	2232028015 interchangeable 2232028064	2232028031 interchangeable 2232028072	-
2260032350	ZEM	2232041018	-	-
2260033 xxx	VERDICHTER	2232026019 interchangeable 2232026050	-	-
2260035 xxx	ASPERA	2232045019	-	-
2260042 xxx	MATSUSHITA	2232049011	-	-

Compressor part no	Model	Tray part no.	Tray part no. (with 1 compartment)	Tray part no. (with 2 compartments)
2260043 xxx	ASPERA	2232050019 interchangeable 2232050027	-	-
2260046 xxx	ASPERA	2232045019	-	-
2260047 xxx	ASPERA	2232054011 interchangeable 2232635017	-	-
2260048 xxx	UNIDAD HERMETICA	2232028015 interchangeable 2232028064	2232028031 interchangeable 2232028072	-
2260049 xxx	ZEM	2232028015 interchangeable 2232028064	2232028031 interchangeable 2232028072	-
2260050 xxx	ZEM	2232028015 interchangeable 2232028064	2232028031 interchangeable 2232028072	-
2260051 xxx	ZEM	2232053013	-	-

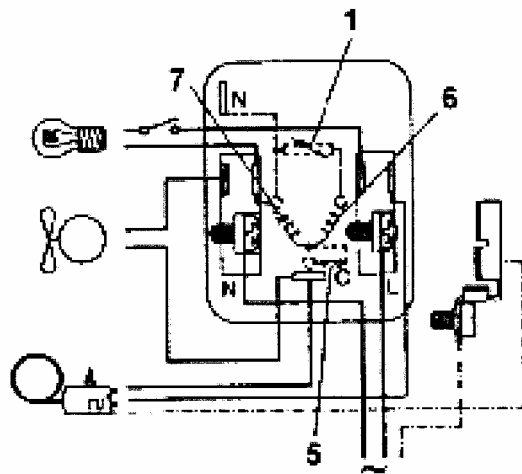
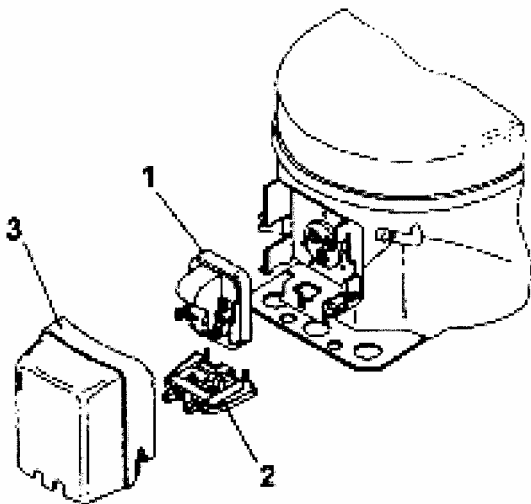
SUMMARY TABLE OF DEFROST WATER TRAYS

Tray picture	Part no.	Notes	Use on compressors
	2232009015	With 2 compartments	ZEM with no. 2260009 xxx
	2232011011	With 1 compartment	ZEM with no. 2260009 xxx
	2232010013	Without compartment	ZEM with no. 2260009 xxx
	2232028015 interchangeable 2232028064	Without compartment	ZEM with no. 2260020xxx,2260032xxx 2260049xxx and 2260050xxx UNIDAD HERMETICA with no.2260048 xxx
	2232028031 interchangeable 2232028072	With compartment	ZEM with no. 2260020xxx,2260032xxx 2260049xxx and 2260050xxx UNIDAD HERMETICA with no. 2260048 xxx
	2232033015 interchangeable 2232043014 interchangeable 2232043030 interchangeable 2232043097	Without compartment	EMBRACO with no. 2260025 xxx
	2232034033 interchangeable 2232043048 interchangeable 2232043105	With compartment	EMBRACO with no. 2260026 xxx
	2232026019 interchangeable 2232026050		VERDICHTER with no. 2260017 xxx and 2260033 xxx

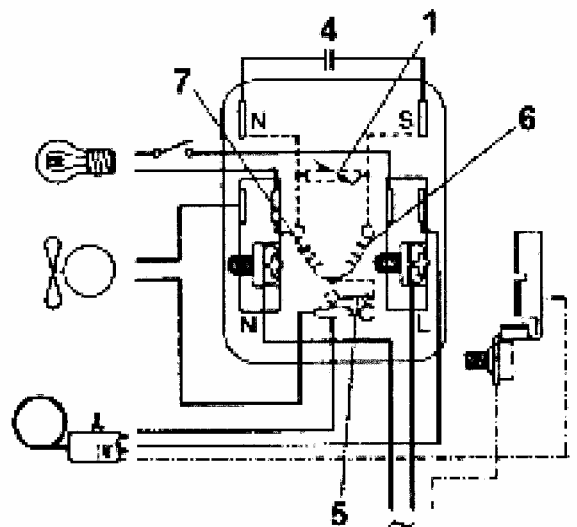
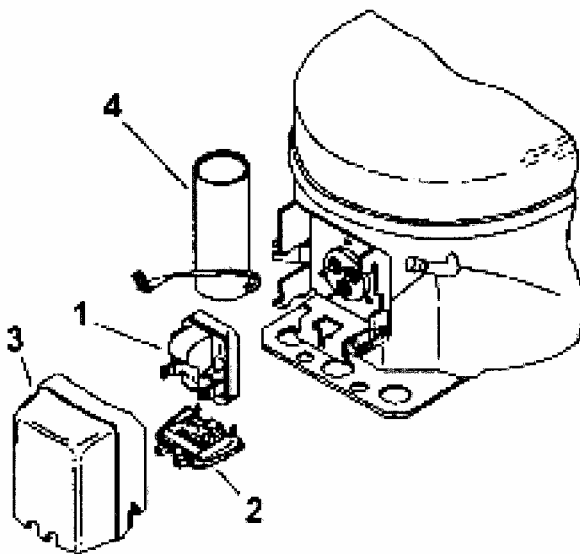
Tray picture	Part no.	Notes	Use on compressors
	2232041018		ZEM with no. 2260032350 UNIDAD HERMETICA HP Series
	2232030011		DANFOSS with no. 2260024 xxx
	2232045019		ASPERA with no. 2260035 xxx , 2260046 xxx
	2232049011	Without compartment	MATSUSHITA with no. 2260042 xxx
	2232050019 interchangeable 2232050027	Without compartment	ASPERA with no. 2260043 xxx
	2232053013		VERDICHTER with no. 2260051 xxx
	2232054011 interchangeable 2232635017		ASPERA with no. 2260047 xxx

DANFOSS COMPRESSORS

WIRING DIAGRAM WITHOUT RUN CAPACITOR



WIRING DIAGRAM WITH RUN CAPACITOR



COMPRESSORS FOR R134a SORTED BY SPARE PART CODE

follows >

Part no.	Model	Brand	Gas	Voltage [V-Hz]	Displacement [cc]	Power [Hp]	Power absorption [W]	Run/start current [A]	Run/start windings resistance [Ohm]	Rated power [Kcal/h]
2260009077	GL 45 AK	ZEM	R134a	220/240-50	4,56	1/8	91	0,6 / 3,5	18 / 20	92
2260009085	GL 35 AH	ZEM	R134a	220/240-50	3,67	1/10	70	0,35 / 2,8	31,8 / 30,2	74
2260009093	GL 45 AH	ZEM	R134a	220/240-50	4,56	1/8	86	0,43 / 7,7	23,4 / 26,7	97
2260009127	GL 35 AA	ZEM	R134a	220/240-50	3,38	1/10	88	0,64 / 6,8	31,7 / 33,0	73
2260009135	GL 45 AA	ZEM	R134a	220/240-50	4,56	1/8	100	0,71 / 7,5	21,2 / 24,3	96
2260009143	GL 60 AA	ZEM	R134a	220/240-50	5,99	1/6	128	0,88 / 9,0	16,9 / 23,6	132
2260009150	GL 60 AH	ZEM	R134a	220/240-50	5,99	1/6	113	0,59 / 9,9	16,2 / 22,2	133
2260009168	GL 60 AK	ZEM	R134a	220/240-50	5,99	1/6	112	0,8 / 6	14 / 17	122
2260009176	GL 80 AA	ZEM	R134a	220/240-50	8,1	1/5	159	1,1 / 11,5	11,6 / 21,2	173
2260009184	GL 80 AK	ZEM	R134a	220/240-50	8,1	1/5	148	1 / 6	11 / 13	166
2260009200	GL 80 AH	ZEM	R134a	220/240-50	8,1	1/5	142	0,74 / 11,9	11,9 / 19,0	175
2260009218	GL 90 AH	ZEM	R134a	220/240-50	8,1	1/5	142	0,74 / 11,9	11,9 / 19,0	175
2260009234	GL 90 AA	ZEM	R134a	220/240-50	9,08	1/4	180	1,3 / 12,8	9,2 / 22,8	195
2260009283	GL 99 AA	ZEM	R134a	220/240-50	9,93	1/4	169	0,85 / 13,4	9,6 / 16,3	215
2260009317	GL 90 AH-HT	ZEM	R134a	220/240-50	9,08	1/4	158	0,83 / 13,4	9,6 / 17,1	196
2260009325	GL 80 AH-HT	ZEM	R134a	220/240-50	8,1	1/5	142	0,74 / 11,9	11,9 / 19,0	175

Part no.	PTC [id. mark] [no.]	Overload cut-out [id. mark] [no.]	Capacitor [μF] / [no.]	A h. [mm]	B d. [mm]	C w. [mm]	Notes	Picture	Replaced by
2260009077	EM90-FM90 2362633600	MRP439HK 2263001139	4,5 / 2260402132	191	162	240,5	traditional compressor	ZEM 1	2260009093
2260009085	EM90-FM90 2362633600	MRP439HK 2263001139	3 / 2260401258	170	162	240,5	traditional compressor	ZEM 1	
2260009093	EM90-FM90 2362633600	MRP439HK 2263001139	3 / 2260401258	170	162	240,5	traditional compressor	ZEM 1	
2260009127	AM90-BM90 50223639001	MRA38010 2263001014	3	166	162	240,5	traditional compressor	ZEM 1	
2260009135	AM90-BM90 50223639001	MRP318LZ 50222086006	3	166	162	240,5	traditional compressor	ZEM 1	
2260009143	AM90-BM90 50223639001	MRA38024 2263001154	3	170	162	240,5	traditional compressor	ZEM 1	
2260009150	EM90-FM90 2362633600	MRP318LZ 50222086006	3 / 2260401258	186	162	240,5	traditional compressor	ZEM 1	
2260009168	EM90-FM90 2362633600	MRP318LZ 50222086006	5 / 2260401802	191	162	240,5	traditional compressor	ZEM 1	2260009150
2260009176	AM90-BM90 50223639001	MRP304LZ 2263001097	4	186	162	240,5	traditional compressor	ZEM 1	
2260009184	EM90-FM90 2362633600	MRP318LZ 50222086006	7 / 2260401084	191	162	240,5	traditional compressor	ZEM 1	2260009200
2260009200	EM90-FM90 2362633600	MRP318LZ 50222086006	4 / 2260401092	186	162	240,5	traditional compressor	ZEM 1	
2260009218	EM90-FM90 2362633600	MRP348LZ 2263001196	6 / 2260406026	186	162	240,5	traditional compressor	ZEM 1	
2260009234	AM90-BM90 50223639001	MRP304LZ 2263001097	4	186	162	240,5	traditional compressor	ZEM 1	
2260009283	AM90-BM90 50223639001	MRP304LZ 2263001097	6	198	162	240,5	traditional compressor	ZEM 1	
2260009317	AM90-BM90 50223639001	MRP348LZ 2263001196	6 / 2260401167	198	162	240,5	traditional compressor	ZEM 1	2260009218
2260009325	AM90-BM90 50223639001	MRA38024 2263001154	4 / 2260401092	186	162	240,5	traditional compressor	ZEM 1	2260009200

COMPRESSORS FOR R134a SORTED BY SPARE PART CODE

follows >

Part no.	Model	Brand	Gas	Voltage [V-Hz]	Displacement [cc]	Power [Hp]	Power absorption [W]	Run/start current [A]	Run/start windings resistance [Ohm]	Rated power [Kcal/h]
2260014028	GD 40 AA	UNIDAD H.	R134a	220/240-50	4,03	1/9	96	0,72 / 7,5	25,5 / 21,2	78
2260017013	OF 789	VERDICHTER	R134a	220/240-50	4,38	1/8	92	0,68 / 9,8	19,9 / 21,1	84
2260017021	OF 1033A	VERDICHTER	R134a	220/240-50	5,73	1/6	113	0,88 / 11,8	14,4 / 19,6	118
2260017039	OF 605A	VERDICHTER	R134a	220/240-50	3,36	1/10	75	0,56 / 2,8	29,6 / 40,8	59
2260020066	GL 45 AH BT	ZEM	R134a	220/240-50	4,56	1/8	86	0,43 / 7,7	23,4 / 26,7	97
2260020074	GL 35 AA BT	ZEM	R134a	220/240-50	3,38	1/10	88	0,64 / 6,8	31,7 / 33,0	73
2260020082	GL 45 AA BT	ZEM	R134a	220/240-50	4,56	1/8	100	0,71 / 7,5	21,2 / 24,3	96
2260020090	GL 60 AA BT	ZEM	R134a	220/240-50	5,99	1/6	128	0,88 / 9,0	16,9 / 23,6	132
2260020108	GL 60 AH BT	ZEM	R134a	220/240-50	5,99	1/6	113	0,59 / 9,9	16,2 / 22,2	133
2260020116	GL 80 AA BT	ZEM	R134a	220/240-50	8,1	1/5	159	1,1 / 11,5	11,6 / 21,2	173
2260020124	GL 80 AH BT	ZEM	R134a	220/240-50	8,1	1/5	142	0,74 / 11,9	11,9 / 19,0	175
2260020132	GL 90 AH BT	ZEM	R134a	220/240-50	9,08	1/4	158	0,83 / 13,4	9,6 / 17,1	196
2260020140	GL 90 AA BT	ZEM	R134a	220/240-50	9,08	1/4	180	1,3 / 12,8	9,2 / 22,8	195
2260020157	GL 99 AA BT	ZEM	R134a	220/240-50	9,93	1/4	169	0,85 / 13,4	9,6 / 16,3	215
2260020264	GL 70 AH BT	ZEM	R134a	220/240-50	6,64	1/5	123	0,64 / 11,4	13,4 / 19,7	150
2260020280	GL 40 AA BT	ZEM	R134a	220/240-50	4,01	1/9	92	0,68 / 7,5	24,6 / 34,0	81

Part no.	PTC	Overload cut-out	Capacitor	A h.	B d.	C w.	Notes	Picture	Replaced by
	[id. mark] [no.]	[id. mark] [no.]	[μ F] / [no.]	[mm]	[mm]	[mm]			
2260014028	PTC3001-4 50222732005	4TN213NFB 50222738002	3	159	140	196		UNIDAD 1	
2260017013	AM90-BM90 50223639001	MRP334HZ 2263001055	4	172	159	240		VERDICHTER 1	2260009135
2260017021	AM90-BM90 50223639001	MRP342L 50224127006	4	173	159	240		VERDICHTER 1	2260009143
2260017039	AM90-BM90 50223639001	MRP334HZ 2263001055	3	158	159	240		VERDICHTER 1	2260009127
2260020066	-	-	3	170	162	240,5	round casing compressor	ZEM 3	
2260020074	-	-	3	166	162	240,5	round casing compressor	ZEM 3	
2260020082	-	-	3	166	162	240,5	round casing compressor	ZEM 3	2260009135
2260020090	-	-	3	170	162	240,5	round casing compressor	ZEM 3	2260032095
2260020108	-	-	3	186	162	240,5	round casing compressor	ZEM 3	2260009150
2260020116	-	-	4	186	162	240,5	round casing compressor	ZEM 3	2260009176
2260020124	-	-	4	186	162	240,5	round casing compressor	ZEM 3	2260009200
2260020132	-	-	6	198	162	240,5	round casing compressor	ZEM 3	2260009218
2260020140	-	-	4	186	162	240,5	round casing compressor	ZEM 3	2260032145
2260020157	-	-	6	198	162	240,5	round casing compressor	ZEM 3	2260009283
2260020264	-	-	4	186	162	240,5	round casing compressor	ZEM 3	2260020298
2260020280	-	-	3	166	162	240,5	round casing compressor	ZEM 3	

COMPRESSORS FOR R134a SORTED BY SPARE PART CODE

follows >

Part no.	Model	Brand	Gas	Voltage [V-Hz]	Displacement [cc]	Power [Hp]	Power absorption [W]	Run/start current [A]	Run/start windings resistance [Ohm]	Rated power [Kcal/h]
2260020306	GL 50 AA	ZEM	R134a	220/240-50	5,12	1/7	110	0,75 / 8,5	19,7 / 25,1	110
2260021015	GL 99AH	UNIDAD H.	R134a	220/240-50	9,93	1/4	169	0,85 / 13,4	9,6 / 16,3	215
2260032061	GL 45 AH BT ES	ZEM	R134a	220/240-50	4,56	1/8	86	0,43 / 7,7	23,4 / 26,7	97
2260032079	GL 35 AA BT ES	ZEM	R134a	220/240-50	3,38	1/10	88	0,64 / 6,8	31,7 / 33,0	73
2260032087	GL 45 AA BT ES	ZEM	R134a	220/240-50	4,56	1/8	100	0,71 / 7,5	21,2 / 24,3	96
2260032095	GL 60 AA BT ES	ZEM	R134a	220/240-50	5,99	1/6	128	0,88 / 9,0	16,9 / 23,6	132
2260032103	GL 60 AH BT ES	ZEM	R134a	220/240-50	5,99	1/6	113	0,59 / 9,9	16,2 / 22,2	133
2260032111	GL 80 AA BT ES	ZEM	R134a	220/240-50	8,1	1/5	159	1,1 / 11,5	11,6 / 21,2	173
2260032129	GL 80 AH BT ES	ZEM	R134a	220/240-50	8,1	1/5	142	0,74 / 11,9	11,9 / 19,0	175
2260032137	GL 90 AH BT ES	ZEM	R134a	220/240-50	9,08	1/4	158	0,83 / 13,4	9,6 / 17,1	196
2260032145	GL 90 AA BT ES	ZEM	R134a	220/240-50	9,08	1/4	180	1,3 / 12,8	9,2 / 22,8	195
2260032152	GL 99 AA BT ES	ZEM	R134a	220/240-50	9,93	1/4	169	0,85 / 13,4	9,6 / 16,3	215
2260032285	GL 40 AA	ZEM	R134a	200/240-50	4,01	1/9	92	0,68 / 7,5	24,6 / 34	81
2260032293	GL 70 AA	ZEM	R134a	200/240-50	6,64	1/5	139	0,97 / 10,1	14,6 / 22,3	149
2260032301	GL 50 AA	ZEM	R134a	200/240-50	5,12	1/7	110	0,75 / 8,6	19,7 25,1	110
2260032319	GL 50 AH-HT BT ES	ZEM	R134a	220/240-50	5,12	1/7	102	0,55 / 4,3	18,3 / 24,5	111

Part no.	PTC	Overload cut-out	Capacitor	A h.	B d.	C w.	Notes	Picture	Replaced by
	[id. mark] [no.]	[id. mark] [no.]	[μ F] / [no.]	[mm]	[mm]	[mm]			
2260020306	AM90-BM90 50223639001	MRP318LZ 50222086006	3	170	162	240,5	round casing compressor	ZEM 3	
2260021015	EM90-FM90 2362633600	MRP348LZ 2263001196	6 / 2260406028	198	162	240,5	traditional compressor	UNIDAD 4	
2260032061	-	-	3	170	162	240,5	round casing and flat brackets compressor	ZEM 4	
2260032079	-	-	3	166	162	240,5	round casing and flat brackets compressor	ZEM 4	
2260032087	-	-	3	166	162	240,5	round casing and flat brackets compressor	ZEM 4	
2260032095	-	-	3	170	162	240,5	round casing and flat brackets compressor	ZEM 4	
2260032103	-	-	3	186	162	240,5	round casing and flat brackets compressor	ZEM 4	2260009150
2260032111	-	-	4	186	162	240,5	round casing and flat brackets compressor	ZEM 4	
2260032129	-	-	4	186	162	240,5	round casing and flat brackets compressor	ZEM 4	2260009200
2260032137	-	-	6	198	162	240,5	round casing and flat brackets compressor	ZEM 4	2260009218
2260032145	-	-	4	186	162	240,5	round casing and flat brackets compressor	ZEM 4	
2260032152	-	-	6	198	162	240,5	round casing and flat brackets compressor	ZEM 4	
2260032285							round casing and flat brackets compressor	ZEM 4	
2260032293							round casing and flat brackets compressor	ZEM 4	
2260032301							round casing and flat brackets compressor	ZEM 4	
2260032319	AM90-BM90 50223639001	MRP505TXS 2263001253	3 / 2260401258	170	162	240,5	round casing and flat brackets compressor	ZEM 4	

COMPRESSORS FOR R134a SORTED BY SPARE PART CODE

follows >

Part no.	Model	Brand	Gas	Voltage [V-Hz]	Displacement [cc]	Power [Hp]	Power absorption [W]	Run/start current [A]	Run/start windings resistance [Ohm]	Rated power [Kcal/h]
2260032400	GL 45 AN BT ES	ZEM	R134a	200/220-50 220/230-60	4,56	1/8	101	0,88 / 12,2	13,0 / 21,9	96
2260032418	GL 80 AN BT ES	ZEM	R134a	200/220-50 220/230-60	8,1	1/5	175	1,7 / 18	5,8 / 11,0	166
2260032483	GLY 55 AA BT ES	ZEM	R134a	220/240-50	5,46		111	0,79 / 10,3	15,4 / 20,6	128
2260032517	GLY 80 AA BT ES	ZEM	R134a	220/240-50	8,1		159	1,12 / 13,3	10,3 / 16,0	195
2260033010	OF 789	VERDICHTER	R134a	220/240-50	4,38	1/8	92	0,68 / 9,8	19,9 / 21,1	84
2260033028	OF 1033A	VERDICHTER	R134a	220/240-50	5,73	1/6	113	0,88 / 11,8	14,4 / 19,6	118
2260033036	OF 605	VERDICHTER	R134a	220/240-50	3,36	1/10	72	0,56 / 6,5	29,6 / 40,8	61
2260033127	OF 789	VERDICHTER	R134a	220/240-50	4,38	1/8	92	0,68 / 9,8	19,9 / 21,1	84
2260042011	DB 77 C14	MATSUSHITA	R134a	230/240-50	7,69			0,92 / 9,47	11,6 / 16,4	183
2260048018	GLY 40 AD	UNIDAD H.	R134a	115-60		1/9				
2260048026	GLY 50 AD	UNIDAD H.	R134a	115-60		1/6				
2260052010	THB 1350YS	TECUMSEH	R134a	220/240-50	5,6		107	0,8 / 9	18,53 / 24,88	113

Part no.	PTC	Overload cut-out	Capacitor	A h.	B d.	C w.	Notes	Picture	Replaced by
	[id. mark] [no.]	[id. mark] [no.]	[μ F] / [no.]	[mm]	[mm]	[mm]			
2260032400	-	-		170	162	237,2	round casing and flat brackets compressor	ZEM 4	
2260032418	-	-		198	162	237,2	round casing and flat brackets compressor	ZEM 4	
2260032483	AM90-BM90 50223639001	MRP348LZ 2263001196		170	162	240,5	round casing and flat brackets compressor	ZEM 4	
2260032517	-	-		186	162	240,5	round casing and flat brackets compressor	ZEM 4	2260009218
2260033010	-	-	4	172	159	240	flat brackets compressor	VERDICHTER 2	2260009135
2260033028	-	-	4	173	159	240	flat brackets compressor	VERDICHTER 2	2260009143
2260033036	-	-	3	158	159	240	flat brackets compressor	VERDICHTER 2	2260009127
2260033127	-	-	4	172	159	240	flat brackets compressor	VERDICHTER 2	2260009135
2260042011	MM8 619 2263015014	together with PTC	4 / 2390077903	215	185	233	flat brackets compressor	MATSUSHITA 1	2260009218
2260048018								UNIDAD 2	
2260048026								UNIDAD 2	
2260052010								TECUMSEH 1	

COMPRESSORS FOR R600a SORTED BY SPARE PART CODE

follows >

Part no.	Model	Brand	Gas	Voltage [V-Hz]	Displacement [cc]	Power [Hp]	Power absorption [W]	Run/start current [A]	Run/start windings resistance [Ohm]	Rated power [Kcal/h]
2260009242	HL 70 AH	ZEM	R600a	220/240-50	6,64	1/8	72	0,34 / 7,2	26,9 / 28,1	88
2260009259	HL 60 AH	ZEM	R600a	220/240-50	5,99	1/9	65	0,2 / 6,3	31,8 / 30,2	77
2260009267	HL 80 AH	ZEM	R600a	220/240-50	8,1	1/7	84	0,43 / 9,0	18,7 / 25,5	104
2260009291	HL 90 AH	ZEM	R600a	220/240-50	9,08	1/7	92	0,48 / 9,0	18,7 / 25,5	115
2260009309	HL 99 AH	ZEM	R600a	220/240-50	9,93	1/6	100	0,5 / 9,9	16,2 / 22,2	120
2260016015	HL 60 AH	ZEM	R600a	220/240-50	5,99	1/9	65	0,2 / 6,3	31,8 / 30,2	77
2260017054	HV 57 AH	VERDICHTER	R600a	220/240-50	5,73	1/10	60	0,29 / 7,2	26,4 / 27,3	71
2260017062	HV 44 AH	VERDICHTER	R600a	220/240-50	4,38	1/12	53	0,28 / 5,4	34,2 / 46,3	55
2260020017	HL 70 AH BT	ZEM	R600a	220/240-50	6,64	1/8	72	0,34 / 7,2	26,9 / 28,1	88
2260020025	HL 90 AH BT	ZEM	R600a	220/240-50	9,08	1/7	92	0,48 / 9,0	18,7 / 25,5	115
2260020033	HL 99 AH BT	ZEM	R600a	220/240-50	9,93	1/6	100	0,5 / 9,9	16,2 / 22,2	120
2260020041	HL 80 AH BT	ZEM	R600a	220/240-50	8,1	1/7	84	0,43 / 9,0	18,7 / 25,5	104
2260020165	HL 60 AH BT	ZEM	R600a	220/240-50	5,99	1/9	65	0,2 / 6,3	31,8 / 30,2	77
2260020199	HP 12 AH	UNIDAD H.	R600a	220/240-50	12,06	1/5	130	0,64 / 10,7	13,7 / 19,7	150
2260020207	HP 14 AH BT	UNIDAD H.	R600a	220/240-50	14,17	1/5	147	0,72 / 11,2	11,6 / 19,0	172
2260020272	HL 50 AH BT	ZEM	R600a							

Part no.	PTC	Overload cut-out	Capacitor	A h.	B d.	C w.	Notes	Picture	Replaced by
	[id. mark] [no.]	[id. mark] [no.]	[μ F] / [no.]	[mm]	[mm]	[mm]			
2260009242	AM90-BM90 50223639001	MSP319HK 2263001162	3 / 2260401258	170	162	240,5	traditional compressor	ZEM 1	2260032467
2260009259	AM90-BM90 50223639001	MSP319HK 2263001162	3 / 2260401258	170	162	240,5	traditional compressor	ZEM 1	2260049016
2260009267	AM90-BM90 50223639001	MRA38043 2263001170	3 / 2260401258	170	162	240,5	traditional compressor	ZEM 1	
2260009291	AM90-BM90 50223639001	MSP501LZ 2263001188	3 / 2260401258	170	162	240,5	traditional compressor	ZEM 1	
2260009309	AM90-BM90 50223639001	MSP501LZ 2263001188	3 / 2260401258	186	162	240,5	traditional compressor	ZEM 1	
2260016015	-	-	3	170	162	240,5	traditional compressor	ZEM 2	2260049016
2260017054	-	-	3	172	159	240		VERDICHTER 1	2260049016
2260017062	AM90-BM90 50223639001	MSP319HK 2263001162	2 / 2260413055	158	159	240		VERDICHTER 1	
2260020017	-	-	3	170	162	240,5	round casing compressor	ZEM 3	2260032467
2260020025	-	-	3	170	162	240,5	round casing compressor	ZEM 3	531017917851
2260020033	-	-	3	186	162	240,5	round casing compressor	ZEM 3	531017917851
2260020041	-	-	3	170	162	240,5	round casing compressor	ZEM 3	2260009267
2260020165	-	-	3	170	162	240,5	round casing compressor	ZEM 3	2260049016
2260020199	-	-	4	198	162	238	round casing compressor	UNIDAD 2	2260032194
2260020207	AM90-BM90 50223639001	MSP327LZ 2263001246	4 / 2260405028	198	162	238	round casing compressor	UNIDAD 2	
2260020272	-	-					round casing compressor	ZEM 3	50240800008

COMPRESSORS FOR R600a SORTED BY SPARE PART CODE

follows >

Part no.	Model	Brand	Gas	Voltage [V-Hz]	Displacement [cc]	Power [Hp]	Power absorption [W]	Run/start current [A]	Run/start windings resistance [Ohm]	Rated power [Kcal/h]
2260024019	TLE S4K	DANFOSS	R600a	220/240-50		1/12	57	0,54 / 2,9	19,1 / 21,1	
2260025016	FGS 70 CA	EMBRACO	R600a	220/240-50	11,15		124	0,81 / 5,3	20,6 / 16,8	151
2260025040	FGS 60 CA	EMBRACO	R600a	220/240-50	9,05		100	0,62 / 3,9	27 / 20,1	121
2260025057	FGS 50 CA	EMBRACO	R600a	220/240-50	7,16		83	0,54 / 3,4	38 / 15,6	99
2260025065	FGS 50 CA	EMBRACO	R600a	220/240-50	7,16		83	0,54 / 3,4	38 / 15,6	99
2260025099	FGS 50 CA	EMBRACO	R600a	220/240-50	7,16		83	0,54 / 3,4	38 / 15,6	99
2260026014	FGS 70 CA	EMBRACO	R600a	220/240-50	11,15		124	0,81 / 5,3	20,6 / 16,8	151
2260032012	HL 70 AH BT	ZEM	R600a	220/240-50	6,64	1/8	72	0,34 / 7,2	26,9 / 28,1	88
2260032020	HL 90 AH BT	ZEM	R600a	220/240-50	9,08	1/7	92	0,48 / 9,0	18,7 / 25,5	115
2260032038	HL 99 AH BT	ZEM	R600a	220/240-50	9,93	1/6	100	0,5 / 9,9	16,2 / 22,2	120
2260032046	HL 80 AH BT	ZEM	R600a	220/240-50	8,1	1/7	84	0,43 / 9,0	18,7 / 25,5	104
2260032160	HL 60 AH BT	ZEM	R600a	220/240-50	5,99	1/9	65	0,2 / 6,3	31,8 / 30,2	77
2260032202	HP 14 AH BT	UNIDAD H.	R600a	220/240-50	14,17	1/5	147	0,72 / 11,2	11,6 / 19,0	172
2260032210	HP 16 AH	UNIDAD H.	R600a	220/240-50	16,14	1/4	160	0,79 / 12,6	9,6 / 17,1	191
2260032228	HL 60 RSA BT	ZEM	R600a	200/240-50	5,99		36	0,29 / 0,2		49
2260032244	HL 99 RSA BT	ZEM	R600a	200/240-50	9,93		54	0,42 / 0,4		81

Part no.	PTC	Overload cut-out	Capacitor	A h.	B d.	C w.	Notes	Picture	Replaced by
	[id. mark] [no.]	[id. mark] [no.]	[μ F] / [no.]	[mm]	[mm]	[mm]			
2260024019	2260207010	inside the casing						DANFOSS 1	
2260025016	BEA503 2263009025	MRA58154 2263008019	5 / 2260410028	195	173	203,8	with hook for tray	EMBRACO 1	2260032426
2260025040	BEA503 2263009025	MRA58155 2263008027	5 / 2260410028	201	173	203,8	with hook for tray	EMBRACO 1	2260035098
2260025057	BEA503 2263009025	MRA58155 2263008027	5 / 2260410028	195	173	203,8	without hook for tray	EMBRACO 1	2260009267
2260025065	BEA503 2263009025	MRA58155 2263008027	5 / 2260410028	195	173	203,8	with hook for tray	EMBRACO 1	
2260025099	BEA503 2263009025	MRA58155 2263008027	5 / 2260410028	195	173	203,8	without hook for tray	EMBRACO 1	2260025065
2260026014	BEA503 2263009025	MRA58154 2263008019	5 / 2260410028	201	156	200	with hook for tray	EMBRACO 1	2260032426
2260032012	AM90-BM90 50223639001	MSP319HK 2263001162	3 / 2260401258	170	162	240,5	round casing and flat brackets compressor	ZEM 4	2260032467
2260032020	-	-	3	170	162	240,5	round casing and flat brackets compressor	ZEM 4	2260009291
2260032038	-	-	3	186	162	240,5	round casing and flat brackets compressor	ZEM 4	2260009309
2260032046	-	-	3	170	162	240,5	round casing and flat brackets compressor	ZEM 4	2260009267
2260032160	-	-		170	162	240,5	round casing and flat brackets compressor	ZEM 4	2260049016
2260032202	-	-		198	162	238	round casing and flat brackets compressor	UNIDAD 3	
2260032210	-	-		198	162	238	round casing and flat brackets compressor	UNIDAD 3	
2260032228	power only with control board G11						round casing and flat brackets compressor	ZEM 4	
2260032244	power only with control board G12						round casing and flat brackets compressor	ZEM 4	

COMPRESSORS FOR R600a SORTED BY SPARE PART CODE

follows >

Part no.	Model	Brand	Gas	Voltage [V-Hz]	Displacement [cc]	Power [Hp]	Power absorption [W]	Run/start current [A]	Run/start windings resistance [Ohm]	Rated power [Kcal/h]
2260032277	HL 50 AH	ZEM	R600a	200/240-50						
2260032327	HL 70 AA BT	ZEM	R600a	220/240-50	6,64	1/8	86	0,67 / 7,7	24,6 / 34,0	86
2260032335	HL 90 AA BT	ZEM	R600a	220/240-50	9,08	1/7	104	0,76 / 10,3	16,0 / 21,0	114
2260032350	HPT 16 RSC BT	ZEM	R600a	200/240-50	16,14		108	0,89 / 0,68		161
2260032368	HL 60 AA BT	ZEM	R600a	220/240-50	5,99	1/9	80	0,61 / 7,2	31,7 / 33,0	76
2260032384	HL 80 AA BT	ZEM	R600a	220/240-50	8,1	1/7	94	0,71 / 9,3	18,0 / 23,0	103
2260032426	HPT 12 AH BT	ZEM	R600a	220/240-50	12,1		119	0,54 / 8,0	17,8 / 27,0	154
2260032442	HLY 80 AA BT	ZEM	R600a	220/240-50	8,1	1/7	90	0,45 / 8,6	22,0 / 22,5	115
2260032467	HLY 70 AA BT	ZEM	R600a	220/240-50	6,64	1/8	74	0,37 / 8,1	25,2 / 22,0	92
2260032475	HLY 55 AA BT	ZEM	R600a	220/240-50	5,46	1/9	61	0,30 / 6,3	29,6 / 32,8	71
2260032491	HLY 75AA BT	ZEM	R600a	220/240-50	7,39	1/7	81	0,42 / 8,6	22,0 / 22,5	102
2260032509	HLY 90 AA BT	ZEM	R600a	220/240-50	9,08	1/6	98	0,50 / 9,3	17,6 / 21,6	125
2260032533	HPT 14 AH	UNIDAD H.	R600a	220/240-50	14,31		137	0,71 / 9,9	14,1 / 20,4	180
2260032541	HLT 55 AA BT OM	ZEM	R600a	220/240-50	5,46		55	0,26 / 6,9	30,6 / 24,5	73
2260032566	HLT 80 AA	ZEM	R600a	220/240-50	8,1		80	0,43 / 8,8	18,9 / 20,4	113
2260032582	HLY 99 AA	ZEM	R600a	220/240-50	9,93		108	0,80 / 11,4	14,2 / 18,3	136

Part no.	PTC [id. mark] [no.]	Overload cut-out [id. mark] [no.]	Capacitor [µF] / [no.]	A h. [mm]	B d. [mm]	C w. [mm]	Notes	Picture	Replaced by
2260032277							round casing and flat brackets compressor	ZEM 4	
2260032327	AM90-BM90 50223639001	MRP334HZ 2263001287		162	162	240,5	round casing and flat brackets compressor	ZEM 4	
2260032335	AM90-BM90 50223639001	MRA38057 2263001295		170	162	240,5	round casing and flat brackets compressor	ZEM 4	
2260032350	power only with control board G33						round casing and flat brackets compressor	ZEM 4	
2260032368	-	-		162	162	240,5	round casing and flat brackets compressor	ZEM 4	2260049016
2260032384	AM90-BM90 50223639001	MSP318LZ 2263001303		162	162	240,5	round casing and flat brackets compressor	ZEM 4	
2260032426	-	-	4				round casing and flat brackets compressor	ZEM 4	
2260032442	AM90-BM90 50223639001	MSP318LZ 2263001303		170	162	237,2	round casing and flat brackets compressor	ZEM 4	
2260032467	AM90-BM90 50223639001	MRA38043 2263001170		170	162	237,2	round casing and flat brackets compressor	ZEM 4	
2260032475	AM90-BM90 50223639001	T 0492/05 2263002301		170	162	237,2	round casing and flat brackets compressor	ZEM 4	2260049016
2260032491	AM90-BM90 50223639001	MRP334HZ 2263001287		170	162	237,2	round casing and flat brackets compressor	ZEM 4	
2260032509	-	-		186	162	237,2	round casing and flat brackets compressor	ZEM 4	
2260032533							round casing and flat brackets compressor	UNIDAD 3	
2260032541			3				round casing and flat brackets compressor	ZEM 4	
2260032566			3				round casing and flat brackets compressor	ZEM 4	
2260032582							round casing and flat brackets compressor	ZEM 4	

COMPRESSORS FOR R600a SORTED BY SPARE PART CODE

follows >

Part no.	Model	Brand	Gas	Voltage [V-Hz]	Displacement [cc]	Power [Hp]	Power absorption [W]	Run/start current [A]	Run/start windings resistance [Ohm]	Rated power [Kcal/h]
2260032590	HPY 14 AA	UNIDAD H.	R600a	220/240-50	14,31		147	0,98 / 11,5	12,7 / 17,1	190
2260032616	HLT 45 AA	ZEM	R600a	220/240-50	4,56		49	0,24 / 5,7	35,6 / 33,4	61
2260032632	HPY 12 AA	UNIDAD H.	R600a	220/240-50	12,1		127	0,86 / 10,9	14,1 / 18,6	165
2260032657	HLM 90 AA	ZEM	R600a	220/240-50	9,08		108	0,82 / 9,3	15,6 / 21,3	124
2260032665	HLM 80 AA	ZEM	R600a	220/240-50	8,1		97	0,68 / 7,5	24,6 / 32,6	112
2260032673	HLT 99 RSC	ZEM	R600a	220/240-50	9,93		66	0,55 / 1,54	14,3	108
2260032699	HPY 16 AA	UNIDAD H.	R600a	220/240-50	16,14		159	1,06 / 13,3	10,3 / 16	208
2260032814	HLT 90 AA	ZEM	R600a	220/240-50	9,08		91	0,45 / 9,4	18,3 / 16,5	127
2260032822	HLT 90 RSA	ZEM	R600a	220/240-50	9,08		53	0,45 / 3	14,3	84
2260032830	HLT 80 AJ	ZEM	R600a	220/240-50						
2260032848	HLM 70 AA	ZEM	R600a	220/240-50	6,64		81	0,61 / 7,1	28,1 / 33,4	91
2260032855	HPY 12 AA	UNIDAD H.	R600a	220/240-50	12,1		127	0,86 / 10,9	14,1 / 18,6	165
2260033051	HV 57 AH	VERDICHTER	R600a	220/240-50	5,73	1/10	60	0,29 / 7,2	26,4 / 27,3	71
2260033069	HV 44 AH	VERDICHTER	R600a	220/240-50	4,38	1/12	53	0,28 / 5,4	34,2 / 46,3	55
2260033085	HV 57 AA	VERDICHTER	R600a	220/240-50	5,73	1/10	67	0,54 / 6,5	29,6 / 40,8	70
2260033101	HVY 57 AA	VERDICHTER	R600a	220/240-50	5,73		64	0,49 / 7,6	24 / 27	76

Part no.	PTC	Overload cut-out	Capacitor	A h.	B d.	C w.	Notes	Picture	Replaced by
	[id. mark] [no.]	[id. mark] [no.]	[μ F] / [no.]	[mm]	[mm]	[mm]			
2260032590							round casing and flat brackets compressor	ZEM 4	
2260032616			2,5				round casing and flat brackets compressor	ZEM 4	
2260032632							round casing and flat brackets compressor	UNIDAD 3	
2260032657							round casing and flat brackets compressor	ZEM 4	
2260032665							round casing and flat brackets compressor	ZEM 4	
2260032673	power only with control board G33U						round casing and flat brackets compressor	ZEM 4	
2260032699							round casing and flat brackets compressor	UNIDAD 3	
2260032814							round casing and flat brackets compressor	ZEM 4	
2260032822	power only with control board G12						round casing and flat brackets compressor	ZEM 4	
2260032830							round casing and flat brackets compressor	ZEM 4	
2260032848							round casing and flat brackets compressor	ZEM 4	
2260032855							round casing and flat brackets compressor	UNIDAD 3	2260032632
2260033051	-	-		172	159	240	flat brackets compressor	VERDICHTER 2	2260049016
2260033069	-	-		158	159	240	flat brackets compressor	VERDICHTER 2	2260017062
2260033085	-	-		172	159	240	flat brackets compressor	VERDICHTER 2	
2260033101				172	159	240	flat brackets compressor	VERDICHTER 2	

COMPRESSORS FOR R600a SORTED BY SPARE PART CODE

follows >

Part no.	Model	Brand	Gas	Voltage [V-Hz]	Displacement [cc]	Power [Hp]	Power absorption [W]	Run/start current [A]	Run/start windings resistance [Ohm]	Rated power [Kcal/h]
2260033119	HVY 44 AA	VERDICHTER	R600a	220/240-50	4,38		53	0,42 / 5,3	30,8 / 44,6	61
2260035015	NBK 1116Y	ASPERA	R600a	220/240-50	12,3		128,8	0,58 / 6,3	12,3 / 22,3	165
2260035056	NBK 1118Y	ASPERA	R600a	220/240-50	14,3		144,3	0,72 / 6,3	10,8 / 22,9	189
2260035072	NBK 1112Y	ASPERA	R600a	220/240-50	8,8		94	0,46 / 4,8	14,2 / 26,2	115
2260035098	NBK 1112Y	ASPERA	R600a	220/240-50	8,8		94	0,46 / 4,8	14,2 / 26,2	115
2260035106	NBT 1116Y	ASPERA	R600a	220/240-50	12,3		134,4	0,60 / 5,3	13,2 / 17,6	174
2260035114	NBT 1112Y	ASPERA	R600a	220/240-50	8,8		94,8	0,43 / 4,5	15,5 / 24,5	116
2260035122	NBK 1114Y	ASPERA	R600a	220/240-50	10		105,3	0,51 / 5,1	13,8 / 25,1	132
2260035130	NBT 1118Y	ASPERA	R600a	220/240-50	14,3		156	0,71 / 6,9	11,0 / 16,4	197
2260043019	EMU 32 CLC	ASPERA	R600a	220/240-50	5,96		63	0,30 / , ,	38,5 / 26,0	69
2260043027	EMU 26 CLC	ASPERA	R600a	220/240-50						
2260043043	EMU 40 CLC	ASPERA	R600a	220/240-50						
2260046012	NBK 1116Y	ASPERA	R600a	220/240-50	12,3		128,8	0,58 / 6,3	12,3 / 22,3	165
2260046020	NBK 1118Y	ASPERA	R600a	220/240-50	14,3		144,3	0,72 / 6,3	10,8 / 22,9	189
2260046038	NBT 1116Y	ASPERA	R600a	220/240-50	12,3		134,4	0,60 / 5,3	13,2 / 17,6	174
2260046046	NBT 1112Y	ASPERA	R600a	220/240-50	8,8		94,8	0,43 / 4,5	15,5 / 24,5	116

Part no.	PTC	Overload cut-out	Capacitor	A h.	B d.	C w.	Notes	Picture	Replaced by
	[id. mark] [no.]	[id. mark] [no.]	[μ F] / [no.]	[mm]	[mm]	[mm]			
2260033119				158	159	240	flat brackets compressor	VERDICHTER 2	
2260035015				200	162	247	with hook for tray	ASPERA 1	2260046012
2260035056				200	162	247	with hook for tray	ASPERA 1	2260046020
2260035072	PTC 2260209016	MSP309 2263013027	4 / 2260415092	187	162	247	without hook for tray	ASPERA 1	2260032442
2260035098	PTC 2260209016	MSP309 2263013027	4 / 2260415092	187	162	247	with hook for tray	ASPERA 1	2260035114
2260035106				200	162	247	with hook for tray	ASPERA 1	2260046038
2260035114				187	162	247	with hook for tray	ASPERA 1	
2260035122				187	162	247	with hook for tray	ASPERA 1	
2260035130	PTC 2260209016	2390265201	4 / 2260416116	200	162	247	with hook for tray	ASPERA 1	2260046053
2260043019	PTC 2260209016	T0133/07 2263012029	3 / 2260417155	163	150	179		ASPERA 2	2260050188
2260043027								ASPERA 2	
2260043043								ASPERA 2	
2260046012				200	162	247	with hook for tray	ASPERA 1	2260046038
2260046020				200	162	247	with hook for tray	ASPERA 1	2260046053
2260046038				200	162	247	with hook for tray	ASPERA 1	
2260046046				187	162	247	with hook for tray	ASPERA 1	

COMPRESSORS FOR R600a SORTED BY SPARE PART CODE

follows >

Part no.	Model	Brand	Gas	Voltage [V-Hz]	Displacement [cc]	Power [Hp]	Power absorption [W]	Run/start current [A]	Run/start windings resistance [Ohm]	Rated power [Kcal/h]
2260046053	NBT 1118Y	ASPERA	R600a	220/240-50	14,3		156	0,71 / 6,9	11,0 / 16,4	197
2260046087	NBT 1114Y	ASPERA	R600a	220/240-50	10		109,9	0,49 / 5,1	15,7 / 23,8	136
2260046095	NBU 1116Y	ASPERA	R600a							
2260046103	NBU 1118Y	ASPERA	R600a							
2260046145	NBU 1112Y	ASPERA	R600a							
2260047010	BPM 1072Y	ASPERA	R600a	200-50 208/230-60	5,61		65,8	0,48 / 2,5	33,1 / 34,7	64
2260047028	BPK 1084Y	ASPERA	R600a	220/240-50	6,67		82,9	0,51 / 3,6	29,6 / 39,1	92
2260049016	HQY 55 AA	ZEM	R600a	220/240-50	5,46		60	0,45 / 6,3	29,6 / 32,8	72
2260049024	HQY 70 AA	ZEM	R600a	220/240-50	6,64		74	0,53 / 8,1	25,2 / 22	92
2260049040	HQM 55 AA	ZEM	R600a	220/240-50	5,46		67	0,58 / 7,1	27,5 / 32,3	71
2260049065	HQY 80 AA	ZEM	R600a	220/240-50	8,1		89	0,62 / 8,6	22 / 22,5	113
2260049073	HQY 75 AA	ZEM	R600a	220/240-50	7,39		81	0,60 / 8,6	22 / 22,5	102
2260049107	HQM 90 AA	ZEM	R600a	220/240-50	9,08		108	0,82 / 9,3	15,6 / 21,3	124
2260049115	HQM 80 AA	ZEM	R600a	220/240-50	8,1		97	0,68 / 7,5	24,6 / 32,6	112
2260049123	HQT 75 AA	ZEM	R600a	220/240-50	7,39		74	0,37 / 8,8	18,9 / 20,4	103
2260049131	HQY 45 AA	ZEM	R600a	220/240-50	4,56		53	0,41 / 5,4	35,1 / 44,8	60

Part no.	PTC	Overload cut-out	Capacitor	A h.	B d.	C w.	Notes	Picture	Replaced by
	[id. mark] [no.]	[id. mark] [no.]	[µF] / [no.]	[mm]	[mm]	[mm]			
2260046053	PTC 2260209016	2390265201	4 / 2260416116	200	162	247	with hook for tray	ASPERA 1	
2260046087				187	162	247	with hook for tray	ASPERA 1	
2260046095								ASPERA 1	
2260046103								ASPERA 1	
2260046145								ASPERA 1	
2260047010				150	148	220	with hook for tray	ASPERA 3	
2260047028				105	148	220	with hook for tray	ASPERA 3	
2260049016	AM90-BM90 50223639001	MSP505HK 2263001337		176	162	240	round casing, flat brackets "resting" compressor	ZEM 5	
2260049024				176	162	240	round casing, flat brackets "resting" compressor	ZEM 5	
2260049040	AM90-BM90 50223639001	T0602/05 2263002319	-	176	162	240	round casing, flat brackets "resting" compressor	ZEM 5	
2260049065				176	162	240	round casing, flat brackets "resting" compressor	ZEM 5	
2260049073	AM90-BM90 50223639001		-	176	162	240	round casing, flat brackets "resting" compressor	ZEM 5	
2260049107				176	162	240	round casing, flat brackets "resting" compressor	ZEM 5	
2260049115	AM90-BM90 50223639001	T0366/05 2263002327	-	176	162	240	round casing, flat brackets "resting" compressor	ZEM 5	
2260049123	AM90-BM90 50223639001	MRA38043 2263001170	3 / 2260419011	176	162	240	round casing, flat brackets "resting" compressor	ZEM 5	
2260049131				176	162	240	round casing, flat brackets "resting" compressor	ZEM 5	

COMPRESSORS FOR R600a SORTED BY SPARE PART CODE

follows >

Part no.	Model	Brand	Gas	Voltage [V-Hz]	Displacement [cc]	Power [Hp]	Power absorption [W]	Run/start current [A]	Run/start windings resistance [Ohm]	Rated power [Kcal/h]
2260049149	HQY 11 AA	ZEM	R600a	220/240-50	10,7		112	0,60 / 11,7	14,2 / 18,3	146
2260049156	HQT 70 AA	ZEM	R600a	220/240-50	6,64		68	0,33 / 7,3	25,2 / 26,4	94
2260049164	HQT 80 AA	ZEM	R600a	220/240-50	8,1		80	0,41 / 8,8	18,9 / 20,4	113
2260049172	HQM 11 AA	ZEM	R600a	220/240-50	10,7		127	1,02 / 11,3	13,4 / 22,9	145
2260049198	HQT 55 AA	ZEM	R600a	220/240-50	5,46		55	0,25 / 6,9	30,6 / 24,5	73
2260049214	HQY 99 AA	ZEM	R600a	220/240-50	9,93		108	0,80 / 11,4	14,2 / 18,3	136
2260049263	HQM 12 AA	ZEM	R600a	220/240-50	12,09		139	1,09 / 12	11,7 / 18,8	161
2260049271	HQM 70 AA	ZEM	R600a	220/240-50	6,64		81	0,61 / 7,1	27,5 / 32,3	91
2260050014	HQY 55 AA	ZEM	R600a	220/240-50	5,46		60	0,45 / 6,3	29,6 / 32,8	72
2260050022	HQY 70 AA	ZEM	R600a	220/240-50	6,64		74	0,53 / 8,1	25,2 / 22	92
2260050048	HQM 55 AA	ZEM	R600a	220/240-50	5,46		67	0,58 / 7,1	27,5 / 32,3	71
2260050055	HQM 75 AA	ZEM	R600a	220/240-50	7,39		87	0,66 / 7,5	24,6 / 32,6	100
2260050063	HQY 80 AA	ZEM	R600a	220/240-50	8,1		89	0,62 / 8,6	22 / 22,5	113
2260050071	HQY 75 AA	ZEM	R600a	220/240-50	7,39		81	0,60 / 8,6	22 / 22,5	102
2260050089	HQY 90 AA	ZEM	R600a	220/240-50	9,08		98	0,71 / 9,3	17,6 / 21,6	125
2260050105	HQM 90 AA	ZEM	R600a	220/240-50	9,08		108	0,82 / 9,3	15,6 / 21,3	124

Part no.	PTC	Overload cut-out	Capacitor	A h.	B d.	C w.	Notes	Picture	Replaced by
	[id. mark] [no.]	[id. mark] [no.]	[μ F] / [no.]	[mm]	[mm]	[mm]			
2260049149	AM90-BM90 50223639001	MRA38057 2263001295		186	162	240	round casing, flat brackets "resting" compressor	ZEM 5	
2260049156	AM90-BM90 50223639001	T0619/05 2263002269	3 / 2260419011	176	162	240	round casing, flat brackets "resting" compressor	ZEM 5	
2260049164	AM90-BM90 50223639001	T0619/05 2263002269	3 / 2260417015	176	162	240	round casing, flat brackets "resting" compressor	ZEM 5	
2260049172	AM90-BM90 50223639001	T0502/05 2263002392	-	176	162	240	round casing, flat brackets "resting" compressor	ZEM 5	
2260049198	AM90-BM90 50223639001	T0353/05 2263002376	3 / 2260417015	176	162	240	round casing, flat brackets "resting" compressor	ZEM 5	
2260049214				176	162	240	round casing, flat brackets "resting" compressor	ZEM 5	
2260049263	AM90-BM90 50223639001	T0502/05 2263002392	-	176	162	240	round casing, flat brackets "resting" compressor	ZEM 5	
2260049271				176	162	240	round casing, flat brackets "resting" compressor	ZEM 5	
2260050014	junction box K 2260215013	AE 23 BY 6 2263019040	3 / 2260419011	176	162	240	round casing, flat brackets "resting" compressor	ZEM 6	
2260050022	junction box K 2260215013	AE 24 AH 2263019099	-	176	162	240	round casing, flat brackets "resting" compressor	ZEM 6	
2260050048	junction box K 2260215013	AE 25 FU 2263019107	-	176	162	240	round casing, flat brackets "resting" compressor	ZEM 6	
2260050055	junction box K 2260215013	T0366/05 2263002327	-	176	162	240	round casing, flat brackets "resting" compressor	ZEM 6	
2260050063	junction box K 2260215013	T0462/05 2263002277	3 / 2260419011	176	162	240	round casing, flat brackets "resting" compressor	ZEM 6	
2260050071	junction box K 2260215013	AE 37 FJ 2263019016	3 / 2260419011	176	162	240	round casing, flat brackets "resting" compressor	ZEM 6	
2260050089	junction box K 2260215013	AE 37 FJ 2263019016	-	176	162	240	round casing, flat brackets "resting" compressor	ZEM 6	
2260050105	junction box K 2260215013	T0062/05 2263002368	-	176	162	240	round casing, flat brackets "resting" compressor	ZEM 6	

COMPRESSORS FOR R600a SORTED BY SPARE PART CODE

follows >

Part no.	Model	Brand	Gas	Voltage [V-Hz]	Displacement [cc]	Power [Hp]	Power absorption [W]	Run/start current [A]	Run/start windings resistance [Ohm]	Rated power [Kcal/h]
2260050113	HQM 80 AA	ZEM	R600a	220/240-50	8,1		97	0,68 / 7,5	24,6 / 32,6	112
2260050121	HQT 75 AA	ZEM	R600a	220/240-50	7,39		74	0,37 / 8,8	18,9 / 20,4	103
2260050147	HQY 11 AA	ZEM	R600a	220/240-50	10,7		112	0,60 / 11,7	14,2 / 18,3	146
2260050162	HQT 80 AA	ZEM	R600a	220/240-50	8,1		80	0,41 / 8,8	18,9 / 20,4	113
2260050170	HQM 11 AA	ZEM	R600a	220/240-50	10,7		127	1,02 / 11,3	13,4 / 22,9	145
2260050188	HQT 55 AA	ZEM	R600a	220/240-50	5,46		55	0,25 / 6,9	30,6 / 24,5	73
2260050253	HQM 12 AA	ZEM	R600a	220/240-50	12,09		139	1,09 / 12	11,7 / 18,8	161
2260050261	HQM 70 AA	ZEM	R600a	220/240-50	6,64		81	0,61 / 7,1	27,5 / 32,3	91
2260050279	HQT 90 AA	ZEM	R600a	220/240-50	9,08		91	0,45 / 9,4	18,3 / 16,5	127
2260051020	HYK 12 AA	VERDICHTER	R600a	220/240-50	11,14		121	0,86 / 12,4	12,6 / 17,7	170
2260051038	HTK 12 AA	VERDICHTER	R600a	220/240-50	11,14		111	0,55 / 12,7	14,6 / 14	170
2260051046	HTK 70 AA	VERDICHTER	R600a	220/240-50	6,64		67	0,34 / 7,2	28,1 / 24,6	101

Part no.	PTC	Overload cut-out	Capacitor	A h.	B d.	C w.	Notes	Picture	Replaced by
	[id. mark] [no.]	[id. mark] [no.]	[μ F] / [no.]	[mm]	[mm]	[mm]			
2260050113	junction box K 2260215013	AE 18 FU 6 2263019024	-	176	162	240	round casing, flat brackets "resting" compressor	ZEM 6	
2260050121			3	176	162	240	round casing, flat brackets "resting" compressor	ZEM 6	
2260050147	junction box K 2260215013	AE 18 FU 6 2263019024	4 / 2260419045	186	162	240	round casing, flat brackets "resting" compressor	ZEM 6	
2260050162	junction box K 2260215013	T0619/05 2263002269	3 / 2260419011	176	162	240	round casing, flat brackets "resting" compressor	ZEM 6	
2260050170				176	162	240	round casing, flat brackets "resting" compressor	ZEM 6	
2260050188	junction box K 2260215013	T0353/05 2263002376	3 / 2260419011	176	162	240	round casing, flat brackets "resting" compressor	ZEM 6	
2260050253				176	162	240	round casing, flat brackets "resting" compressor	ZEM 6	
2260050261	junction box K 2260215013	AE 25 FU 2263019107	-	176	162	240	round casing, flat brackets "resting" compressor	ZEM 6	
2260050279	junction box K 2260215013	AE 24 AH 2263019099	4 / 2260419045	176	162	240	round casing, flat brackets "resting" compressor	ZEM 6	
2260051020			4	166	161	240	flat brackets "resting" compressor	VERDICHTER 3	
2260051038	junction box K 2260215013	T0762/05 2263002434	5 / 2260419060	166	161	240	flat brackets "resting" compressor	VERDICHTER 3	
2260051046			2,5	158	161	240	flat brackets "resting" compressor	VERDICHTER 3	

COMPRESSORS FOR R134a SORTED BY MODEL

follows >

Part no.	Model	Brand	Gas	Voltage [V-Hz]	Displacement [cc]	Power [Hp]	Power absorption [W]	Run/start current [A]	Run/start windings resistance [Ohm]	Rated power [Kcal/h]
2260042011	DB 77 C14	MATSUSHITA	R134a	230/240-50	7,69			0,92 / 9,47	11,6 / 16,4	183
2260014028	GD 40 AA	UNIDAD H.	R134a	220/240-50	4,03	1/9	96	0,72 / 7,5	25,5 / 21,2	78
2260009127	GL 35 AA	ZEM	R134a	220/240-50	3,38	1/10	88	0,64 / 6,8	31,7 / 33,0	73
2260020074	GL 35 AA BT	ZEM	R134a	220/240-50	3,38	1/10	88	0,64 / 6,8	31,7 / 33,0	73
2260032079	GL 35 AA BT ES	ZEM	R134a	220/240-50	3,38	1/10	88	0,64 / 6,8	31,7 / 33,0	73
2260009085	GL 35 AH	ZEM	R134a	220/240-50	3,67	1/10	70	0,35 / 2,8	31,8 / 30,2	74
2260032285	GL 40 AA	ZEM	R134a	200/240-50	4,01	1/9	92	0,68 / 7,5	24,6 / 34	81
2260020280	GL 40 AA BT	ZEM	R134a	220/240-50	4,01	1/9	92	0,68 / 7,5	24,6 / 34,0	81
2260009135	GL 45 AA	ZEM	R134a	220/240-50	4,56	1/8	100	0,71 / 7,5	21,2 / 24,3	96
2260020082	GL 45 AA BT	ZEM	R134a	220/240-50	4,56	1/8	100	0,71 / 7,5	21,2 / 24,3	96
2260032087	GL 45 AA BT ES	ZEM	R134a	220/240-50	4,56	1/8	100	0,71 / 7,5	21,2 / 24,3	96
2260009093	GL 45 AH	ZEM	R134a	220/240-50	4,56	1/8	86	0,43 / 7,7	23,4 / 26,7	97
2260020066	GL 45 AH BT	ZEM	R134a	220/240-50	4,56	1/8	86	0,43 / 7,7	23,4 / 26,7	97
2260032061	GL 45 AH BT ES	ZEM	R134a	220/240-50	4,56	1/8	86	0,43 / 7,7	23,4 / 26,7	97
2260009077	GL 45 AK	ZEM	R134a	220/240-50	4,56	1/8	91	0,6 / 3,5	18 / 20	92
2260032400	GL 45 AN BT ES	ZEM	R134a	200/220-50 220/230-60	4,56	1/8	101	0,88 / 12,2	13,0 / 21,9	96

Part no.	PTC	Overload cut-out	Capacitor	A h.	B d.	C w.	Notes	Picture	Replaced by
	[id. mark] [no.]	[id. mark] [no.]	[μ F] / [no.]	[mm]	[mm]	[mm]			
2260042011	MM8 619 2263015014	together with PTC	4 / 2390077903	215	185	233	flat brackets compressor	MATSUSHITA 1	2260009218
2260014028	PTC3001-4 50222732005	4TN213NFB 50222738002	3	159	140	196		UNIDAD 1	
2260009127	AM90-BM90 50223639001	MRA38010 2263001014	3	166	162	240,5	traditional compressor	ZEM 1	
2260020074	-	-	3	166	162	240,5	round casing compressor	ZEM 3	
2260032079	-	-	3	166	162	240,5	round casing and flat brackets compressor	ZEM 4	
2260009085	EM90-FM90 2362633600	MRP439HK 2263001139	3 / 2260401258	170	162	240,5	traditional compressor	ZEM 1	
2260032285							round casing and flat brackets compressor	ZEM 4	
2260020280	-	-	3	166	162	240,5	round casing compressor	ZEM 3	
2260009135	AM90-BM90 50223639001	MRP318LZ 50222086006	3	166	162	240,5	traditional compressor	ZEM 1	
2260020082	-	-	3	166	162	240,5	round casing compressor	ZEM 3	2260009135
2260032087	-	-	3	166	162	240,5	round casing and flat brackets compressor	ZEM 4	
2260009093	EM90-FM90 2362633600	MRP439HK 2263001139	3 / 2260401258	170	162	240,5	traditional compressor	ZEM 1	
2260020066	-	-	3	170	162	240,5	round casing compressor	ZEM 3	
2260032061	-	-	3	170	162	240,5	round casing and flat brackets compressor	ZEM 4	
2260009077	EM90-FM90 2362633600	MRP439HK 2263001139	4,5 / 2260402132	191	162	240,5	traditional compressor	ZEM 1	2260009093
2260032400	-	-		170	162	237,2	round casing and flat brackets compressor	ZEM 4	

COMPRESSORS FOR R134a SORTED BY MODEL

follows >

Part no.	Model	Brand	Gas	Voltage [V-Hz]	Displacement [cc]	Power [Hp]	Power absorption [W]	Run/start current [A]	Run/start windings resistance [Ohm]	Rated power [Kcal/h]
2260020306	GL 50 AA	ZEM	R134a	220/240-50	5,12	1/7	110	0,75 / 8,5	19,7 / 25,1	110
2260032301	GL 50 AA	ZEM	R134a	200/240-50	5,12	1/7	110	0,75 / 8,6	19,7 25,1	110
2260032319	GL 50 AH-HT BT ES	ZEM	R134a	220/240-50	5,12	1/7	102	0,55 / 4,3	18,3 / 24,5	111
2260009143	GL 60 AA	ZEM	R134a	220/240-50	5,99	1/6	128	0,88 / 9,0	16,9 / 23,6	132
2260020090	GL 60 AA BT	ZEM	R134a	220/240-50	5,99	1/6	128	0,88 / 9,0	16,9 / 23,6	132
2260032095	GL 60 AA BT ES	ZEM	R134a	220/240-50	5,99	1/6	128	0,88 / 9,0	16,9 / 23,6	132
2260009150	GL 60 AH	ZEM	R134a	220/240-50	5,99	1/6	113	0,59 / 9,9	16,2 / 22,2	133
2260020108	GL 60 AH BT	ZEM	R134a	220/240-50	5,99	1/6	113	0,59 / 9,9	16,2 / 22,2	133
2260032103	GL 60 AH BT ES	ZEM	R134a	220/240-50	5,99	1/6	113	0,59 / 9,9	16,2 / 22,2	133
2260009168	GL 60 AK	ZEM	R134a	220/240-50	5,99	1/6	112	0,8 / 6	14 / 17	122
2260032293	GL 70 AA	ZEM	R134a	200/240-50	6,64	1/5	139	0,97 / 10,1	14,6 / 22,3	149
2260020264	GL 70 AH BT	ZEM	R134a	220/240-50	6,64	1/5	123	0,64 / 11,4	13,4 / 19,7	150
2260009176	GL 80 AA	ZEM	R134a	220/240-50	8,1	1/5	159	1,1 / 11,5	11,6 / 21,2	173
2260020116	GL 80 AA BT	ZEM	R134a	220/240-50	8,1	1/5	159	1,1 / 11,5	11,6 / 21,2	173
2260032111	GL 80 AA BT ES	ZEM	R134a	220/240-50	8,1	1/5	159	1,1 / 11,5	11,6 / 21,2	173
2260009200	GL 80 AH	ZEM	R134a	220/240-50	8,1	1/5	142	0,74 / 11,9	11,9 / 19,0	175

Part no.	PTC	Overload cut-out	Capacitor	A h.	B d.	C w.	Notes	Picture	Replaced by
	[id. mark] [no.]	[id. mark] [no.]	[μ F] / [no.]	[mm]	[mm]	[mm]			
2260020306	AM90-BM90 50223639001	MRP318LZ 50222086006	3	170	162	240,5	round casing compressor	ZEM 3	
2260032301							round casing and flat brackets compressor	ZEM 4	
2260032319	AM90-BM90 50223639001	MRP505TXS 2263001253	3 / 2260401258	170	162	240,5	round casing and flat brackets compressor	ZEM 4	
2260009143	AM90-BM90 50223639001	MRA38024 2263001154	3	170	162	240,5	traditional compressor	ZEM 1	
2260020090	-	-	3	170	162	240,5	round casing compressor	ZEM 3	2260032095
2260032095	-	-	3	170	162	240,5	round casing and flat brackets compressor	ZEM 4	
2260009150	EM90-FM90 2362633600	MRP318LZ 50222086006	3 / 2260401258	186	162	240,5	traditional compressor	ZEM 1	
2260020108	-	-	3	186	162	240,5	round casing compressor	ZEM 3	2260009150
2260032103	-	-	3	186	162	240,5	round casing and flat brackets compressor	ZEM 4	2260009150
2260009168	EM90-FM90 2362633600	MRP318LZ 50222086006	5 / 2260401802	191	162	240,5	traditional compressor	ZEM 1	2260009150
2260032293							round casing and flat brackets compressor	ZEM 4	
2260020264	-	-	4	186	162	240,5	round casing compressor	ZEM 3	2260020298
2260009176	AM90-BM90 50223639001	MRP304LZ 2263001097	4	186	162	240,5	traditional compressor	ZEM 1	
2260020116	-	-	4	186	162	240,5	round casing compressor	ZEM 3	2260009176
2260032111	-	-	4	186	162	240,5	round casing and flat brackets compressor	ZEM 4	
2260009200	EM90-FM90 2362633600	MRP318LZ 50222086006	4 / 2260401092	186	162	240,5	traditional compressor	ZEM 1	

COMPRESSORS FOR R134a SORTED BY MODEL

follows >

Part no.	Model	Brand	Gas	Voltage [V-Hz]	Displacement [cc]	Power [Hp]	Power absorption [W]	Run/start current [A]	Run/start windings resistance [Ohm]	Rated power [Kcal/h]
2260020124	GL 80 AH BT	ZEM	R134a	220/240-50	8,1	1/5	142	0,74 / 11,9	11,9 / 19,0	175
2260032129	GL 80 AH BT ES	ZEM	R134a	220/240-50	8,1	1/5	142	0,74 / 11,9	11,9 / 19,0	175
2260009325	GL 80 AH-HT	ZEM	R134a	220/240-50	8,1	1/5	142	0,74 / 11,9	11,9 / 19,0	175
2260009184	GL 80 AK	ZEM	R134a	220/240-50	8,1	1/5	148	1 / 6	11 / 13	166
2260032418	GL 80 AN BT ES	ZEM	R134a	200/220-50 220/230-60	8,1	1/5	175	1,7 / 18	5,8 / 11,0	166
2260009234	GL 90 AA	ZEM	R134a	220/240-50	9,08	1/4	180	1,3 / 12,8	9,2 / 22,8	195
2260020140	GL 90 AA BT	ZEM	R134a	220/240-50	9,08	1/4	180	1,3 / 12,8	9,2 / 22,8	195
2260032145	GL 90 AA BT ES	ZEM	R134a	220/240-50	9,08	1/4	180	1,3 / 12,8	9,2 / 22,8	195
2260009218	GL 90 AH	ZEM	R134a	220/240-50	8,1	1/5	142	0,74 / 11,9	11,9 / 19,0	175
2260020132	GL 90 AH BT	ZEM	R134a	220/240-50	9,08	1/4	158	0,83 / 13,4	9,6 / 17,1	196
2260032137	GL 90 AH BT ES	ZEM	R134a	220/240-50	9,08	1/4	158	0,83 / 13,4	9,6 / 17,1	196
2260009317	GL 90 AH-HT	ZEM	R134a	220/240-50	9,08	1/4	158	0,83 / 13,4	9,6 / 17,1	196
2260009283	GL 99 AA	ZEM	R134a	220/240-50	9,93	1/4	169	0,85 / 13,4	9,6 / 16,3	215
2260020157	GL 99 AA BT	ZEM	R134a	220/240-50	9,93	1/4	169	0,85 / 13,4	9,6 / 16,3	215
2260032152	GL 99 AA BT ES	ZEM	R134a	220/240-50	9,93	1/4	169	0,85 / 13,4	9,6 / 16,3	215
2260021015	GL 99AH	UNIDAD H.	R134a	220/240-50	9,93	1/4	169	0,85 / 13,4	9,6 / 16,3	215

Part no.	PTC	Overload cut-out	Capacitor	A h.	B d.	C w.	Notes	Picture	Replaced by
	[id. mark] [no.]	[id. mark] [no.]	[µF] / [no.]	[mm]	[mm]	[mm]			
2260020124	-	-	4	186	162	240,5	round casing compressor	ZEM 3	2260009200
2260032129	-	-	4	186	162	240,5	round casing and flat brackets compressor	ZEM 4	2260009200
2260009325	AM90-BM90 50223639001	MRA38024 2263001154	4 / 2260401092	186	162	240,5	traditional compressor	ZEM 1	2260009200
2260009184	EM90-FM90 2362633600	MRP318LZ 50222086006	7 / 2260401084	191	162	240,5	traditional compressor	ZEM 1	2260009200
2260032418	-	-		198	162	237,2	round casing and flat brackets compressor	ZEM 4	
2260009234	AM90-BM90 50223639001	MRP304LZ 2263001097	4	186	162	240,5	traditional compressor	ZEM 1	
2260020140	-	-	4	186	162	240,5	round casing compressor	ZEM 3	2260032145
2260032145	-	-	4	186	162	240,5	round casing and flat brackets compressor	ZEM 4	
2260009218	EM90-FM90 2362633600	MRP348LZ 2263001196	6 / 2260406026	186	162	240,5	traditional compressor	ZEM 1	
2260020132	-	-	6	198	162	240,5	round casing compressor	ZEM 3	2260009218
2260032137	-	-	6	198	162	240,5	round casing and flat brackets compressor	ZEM 4	2260009218
2260009317	AM90-BM90 50223639001	MRP348LZ 2263001196	6 / 2260401167	198	162	240,5	traditional compressor	ZEM 1	2260009218
2260009283	AM90-BM90 50223639001	MRP304LZ 2263001097	6	198	162	240,5	traditional compressor	ZEM 1	
2260020157	-	-	6	198	162	240,5	round casing compressor	ZEM 3	2260009283
2260032152	-	-	6	198	162	240,5	round casing and flat brackets compressor	ZEM 4	
2260021015	EM90-FM90 2362633600	MRP348LZ 2263001196	6 / 2260406028	198	162	240,5	traditional compressor	UNIDAD 4	

COMPRESSORS FOR R134a SORTED BY MODEL

follows >

Part no.	Model	Brand	Gas	Voltage [V-Hz]	Displacement [cc]	Power [Hp]	Power absorption [W]	Run/start current [A]	Run/start windings resistance [Ohm]	Rated power [Kcal/h]
2260048018	GLY 40 AD	UNIDAD H.	R134a	115-60		1/9				
2260048026	GLY 50 AD	UNIDAD H.	R134a	115-60		1/6				
2260032483	GLY 55 AA BT ES	ZEM	R134a	220/240-50	5,46		111	0,79 / 10,3	15,4 / 20,6	128
2260032517	GLY 80 AA BT ES	ZEM	R134a	220/240-50	8,1		159	1,12 / 13,3	10,3 / 16,0	195
2260017021	OF 1033A	VERDICHTER	R134a	220/240-50	5,73	1/6	113	0,88 / 11,8	14,4 / 19,6	118
2260033028	OF 1033A	VERDICHTER	R134a	220/240-50	5,73	1/6	113	0,88 / 11,8	14,4 / 19,6	118
2260033036	OF 605	VERDICHTER	R134a	220/240-50	3,36	1/10	72	0,56 / 6,5	29,6 / 40,8	61
2260017039	OF 605A	VERDICHTER	R134a	220/240-50	3,36	1/10	75	0,56 / 2,8	29,6 / 40,8	59
2260017013	OF 789	VERDICHTER	R134a	220/240-50	4,38	1/8	92	0,68 / 9,8	19,9 / 21,1	84
2260033010	OF 789	VERDICHTER	R134a	220/240-50	4,38	1/8	92	0,68 / 9,8	19,9 / 21,1	84
2260033127	OF 789	VERDICHTER	R134a	220/240-50	4,38	1/8	92	0,68 / 9,8	19,9 / 21,1	84
2260052010	THB 1350YS	TECUMSEH	R134a	220/240-50	5,6		107	0,8 / 9	18,53 / 24,88	113

Part no.	PTC [id. mark] [no.]	Overload cut-out [id. mark] [no.]	Capacitor [µF] / [no.]	A h. [mm]	B d. [mm]	C w. [mm]	Notes	Picture	Replaced by
2260048018								UNIDAD 2	
2260048026								UNIDAD 2	
2260032483	AM90-BM90 50223639001	MRP348LZ 2263001196		170	162	240,5	round casing and flat brackets compressor	ZEM 4	
2260032517	-	-		186	162	240,5	round casing and flat brackets compressor	ZEM 4	2260009218
2260017021	AM90-BM90 50223639001	MRP342L 50224127006	4	173	159	240		VERDICHTER 1	2260009143
2260033028	-	-	4	173	159	240	flat brackets compressor	VERDICHTER 2	2260009143
2260033036	-	-	3	158	159	240	flat brackets compressor	VERDICHTER 2	2260009127
2260017039	AM90-BM90 50223639001	MRP334HZ 2263001055	3	158	159	240		VERDICHTER 1	2260009127
2260017013	AM90-BM90 50223639001	MRP334HZ 2263001055	4	172	159	240		VERDICHTER 1	2260009135
2260033010	-	-	4	172	159	240	flat brackets compressor	VERDICHTER 2	2260009135
2260033127	-	-	4	172	159	240	flat brackets compressor	VERDICHTER 2	2260009135
2260052010								TECUMSEH 1	

COMPRESSORS FOR R600a SORTED BY MODEL

follows >

Part no.	Model	Brand	Gas	Voltage [V-Hz]	Displacement [cc]	Power [Hp]	Power absorption [W]	Run/start current [A]	Run/start windings resistance [Ohm]	Rated power [Kcal/h]
2260047028	BPK 1084Y	ASPERA	R600a	220/240-50	6,67		82,9	0,51 / 3,6	29,6 / 39,1	92
2260047010	BPM 1072Y	ASPERA	R600a	200-50 208/230-60	5,61		65,8	0,48 / 2,5	33,1 / 34,7	64
2260043027	EMU 26 CLC	ASPERA	R600a	220/240-50						
2260043019	EMU 32 CLC	ASPERA	R600a	220/240-50	5,96		63	0,30 / , ,	38,5 / 26,0	69
2260043043	EMU 40 CLC	ASPERA	R600a	220/240-50						
2260025057	FGS 50 CA	EMBRACO	R600a	220/240-50	7,16		83	0,54 / 3,4	38 / 15,6	99
2260025065	FGS 50 CA	EMBRACO	R600a	220/240-50	7,16		83	0,54 / 3,4	38 / 15,6	99
2260025099	FGS 50 CA	EMBRACO	R600a	220/240-50	7,16		83	0,54 / 3,4	38 / 15,6	99
2260025040	FGS 60 CA	EMBRACO	R600a	220/240-50	9,05		100	0,62 / 3,9	27 / 20,1	121
2260025016	FGS 70 CA	EMBRACO	R600a	220/240-50	11,15		124	0,81 / 5,3	20,6 / 16,8	151
2260026014	FGS 70 CA	EMBRACO	R600a	220/240-50	11,15		124	0,81 / 5,3	20,6 / 16,8	151
2260032277	HL 50 AH	ZEM	R600a	200/240-50						
2260020272	HL 50 AH BT	ZEM	R600a							
2260032368	HL 60 AA BT	ZEM	R600a	220/240-50	5,99	1/9	80	0,61 / 7,2	31,7 / 33,0	76
2260009259	HL 60 AH	ZEM	R600a	220/240-50	5,99	1/9	65	0,2 / 6,3	31,8 / 30,2	77
2260016015	HL 60 AH	ZEM	R600a	220/240-50	5,99	1/9	65	0,2 / 6,3	31,8 / 30,2	77

Part no.	PTC	Overload cut-out	Capacitor	A h.	B d.	C w.	Notes	Picture	Replaced by
	[id. mark] [no.]	[id. mark] [no.]	[μ F] / [no.]	[mm]	[mm]	[mm]			
2260047028				105	148	220	with hook for tray	ASPERA 3	
2260047010				150	148	220	with hook for tray	ASPERA 3	
2260043027								ASPERA 2	
2260043019	PTC 2260209016	T0133/07 2263012029	3 / 2260417155	163	150	179		ASPERA 2	2260050188
2260043043								ASPERA 2	
2260025057	BEA503 2263009025	MRA58155 2263008027	5 / 2260410028	195	173	203,8	without hook for tray	EMBRACO 1	2260009267
2260025065	BEA503 2263009025	MRA58155 2263008027	5 / 2260410028	195	173	203,8	with hook for tray	EMBRACO 1	
2260025099	BEA503 2263009025	MRA58155 2263008027	5 / 2260410028	195	173	203,8	without hook for tray	EMBRACO 1	2260025065
2260025040	BEA503 2263009025	MRA58155 2263008027	5 / 2260410028	201	173	203,8	with hook for tray	EMBRACO 1	2260035098
2260025016	BEA503 2263009025	MRA58154 2263008019	5 / 2260410028	195	173	203,8	with hook for tray	EMBRACO 1	2260032426
2260026014	BEA503 2263009025	MRA58154 2263008019	5 / 2260410028	201	156	200	with hook for tray	EMBRACO 1	2260032426
2260032277							round casing and flat brackets compressor	ZEM 4	
2260020272	-	-					round casing compressor	ZEM 3	50240800008
2260032368	-	-		162	162	240,5	round casing and flat brackets compressor	ZEM 4	2260049016
2260009259	AM90-BM90 50223639001	MSP319HK 2263001162	3 / 2260401258	170	162	240,5	traditional compressor	ZEM 1	2260049016
2260016015	-	-	3	170	162	240,5	traditional compressor	ZEM 2	2260049016

COMPRESSORS FOR R600a SORTED BY MODEL

follows >

Part no.	Model	Brand	Gas	Voltage [V-Hz]	Displacement [cc]	Power [Hp]	Power absorption [W]	Run/start current [A]	Run/start windings resistance [Ohm]	Rated power [Kcal/h]
2260020165	HL 60 AH BT	ZEM	R600a	220/240-50	5,99	1/9	65	0,2 / 6,3	31,8 / 30,2	77
2260032160	HL 60 AH BT	ZEM	R600a	220/240-50	5,99	1/9	65	0,2 / 6,3	31,8 / 30,2	77
2260032228	HL 60 RSA BT	ZEM	R600a	200/240-50	5,99		36	0,29 / 0,2		49
2260032327	HL 70 AA BT	ZEM	R600a	220/240-50	6,64	1/8	86	0,67 / 7,7	24,6 / 34,0	86
2260009242	HL 70 AH	ZEM	R600a	220/240-50	6,64	1/8	72	0,34 / 7,2	26,9 / 28,1	88
2260020017	HL 70 AH BT	ZEM	R600a	220/240-50	6,64	1/8	72	0,34 / 7,2	26,9 / 28,1	88
2260032012	HL 70 AH BT	ZEM	R600a	220/240-50	6,64	1/8	72	0,34 / 7,2	26,9 / 28,1	88
2260032384	HL 80 AA BT	ZEM	R600a	220/240-50	8,1	1/7	94	0,71 / 9,3	18,0 / 23,0	103
2260009267	HL 80 AH	ZEM	R600a	220/240-50	8,1	1/7	84	0,43 / 9,0	18,7 / 25,5	104
2260020041	HL 80 AH BT	ZEM	R600a	220/240-50	8,1	1/7	84	0,43 / 9,0	18,7 / 25,5	104
2260032046	HL 80 AH BT	ZEM	R600a	220/240-50	8,1	1/7	84	0,43 / 9,0	18,7 / 25,5	104
2260032335	HL 90 AA BT	ZEM	R600a	220/240-50	9,08	1/7	104	0,76 / 10,3	16,0 / 21,0	114
2260009291	HL 90 AH	ZEM	R600a	220/240-50	9,08	1/7	92	0,48 / 9,0	18,7 / 25,5	115
2260020025	HL 90 AH BT	ZEM	R600a	220/240-50	9,08	1/7	92	0,48 / 9,0	18,7 / 25,5	115
2260032020	HL 90 AH BT	ZEM	R600a	220/240-50	9,08	1/7	92	0,48 / 9,0	18,7 / 25,5	115
2260009309	HL 99 AH	ZEM	R600a	220/240-50	9,93	1/6	100	0,5 / 9,9	16,2 / 22,2	120

Part no.	PTC	Overload cut-out	Capacitor	A h.	B d.	C w.	Notes	Picture	Replaced by
	[id. mark] [no.]	[id. mark] [no.]	[μ F] / [no.]	[mm]	[mm]	[mm]			
2260020165	-	-	3	170	162	240,5	round casing compressor	ZEM 3	2260049016
2260032160	-	-		170	162	240,5	round casing and flat brackets compressor	ZEM 4	2260049016
2260032228	power only with control board G11						round casing and flat brackets compressor	ZEM 4	
2260032327	AM90-BM90 50223639001	MRP334HZ 2263001287		162	162	240,5	round casing and flat brackets compressor	ZEM 4	
2260009242	AM90-BM90 50223639001	MSP319HK 2263001162	3 / 2260401258	170	162	240,5	traditional compressor	ZEM 1	2260032467
2260020017	-	-	3	170	162	240,5	round casing compressor	ZEM 3	2260032467
2260032012	AM90-BM90 50223639001	MSP319HK 2263001162	3 / 2260401258	170	162	240,5	round casing and flat brackets compressor	ZEM 4	2260032467
2260032384	AM90-BM90 50223639001	MSP318LZ 2263001303		162	162	240,5	round casing and flat brackets compressor	ZEM 4	
2260009267	AM90-BM90 50223639001	MRA38043 2263001170	3 / 2260401258	170	162	240,5	traditional compressor	ZEM 1	
2260020041	-	-	3	170	162	240,5	round casing compressor	ZEM 3	2260009267
2260032046	-	-	3	170	162	240,5	round casing and flat brackets compressor	ZEM 4	2260009267
2260032335	AM90-BM90 50223639001	MRA38057 2263001295		170	162	240,5	round casing and flat brackets compressor	ZEM 4	
2260009291	AM90-BM90 50223639001	MSP501LZ 2263001188	3 / 2260401258	170	162	240,5	traditional compressor	ZEM 1	
2260020025	-	-	3	170	162	240,5	round casing compressor	ZEM 3	531017917851
2260032020	-	-	3	170	162	240,5	round casing and flat brackets compressor	ZEM 4	2260009291
2260009309	AM90-BM90 50223639001	MSP501LZ 2263001188	3 / 2260401258	186	162	240,5	traditional compressor	ZEM 1	

COMPRESSORS FOR R600a SORTED BY MODEL

follows >

Part no.	Model	Brand	Gas	Voltage [V-Hz]	Displacement [cc]	Power [Hp]	Power absorption [W]	Run/start current [A]	Run/start windings resistance [Ohm]	Rated power [Kcal/h]
2260020033	HL 99 AH BT	ZEM	R600a	220/240-50	9,93	1/6	100	0,5 / 9,9	16,2 / 22,2	120
2260032038	HL 99 AH BT	ZEM	R600a	220/240-50	9,93	1/6	100	0,5 / 9,9	16,2 / 22,2	120
2260032244	HL 99 RSA BT	ZEM	R600a	200/240-50	9,93		54	0,42 / 0,4		81
2260032848	HLM 70 AA	ZEM	R600a	220/240-50	6,64		81	0,61 / 7,1	28,1 / 33,4	91
2260032665	HLM 80 AA	ZEM	R600a	220/240-50	8,1		97	0,68 / 7,5	24,6 / 32,6	112
2260032657	HLM 90 AA	ZEM	R600a	220/240-50	9,08		108	0,82 / 9,3	15,6 / 21,3	124
2260032616	HLT 45 AA	ZEM	R600a	220/240-50	4,56		49	0,24 / 5,7	35,6 / 33,4	61
2260032541	HLT 55 AA BT OM	ZEM	R600a	220/240-50	5,46		55	0,26 / 6,9	30,6 / 24,5	73
2260032566	HLT 80 AA	ZEM	R600a	220/240-50	8,1		80	0,43 / 8,8	18,9 / 20,4	113
2260032830	HLT 80 AJ	ZEM	R600a	220/240-50						
2260032814	HLT 90 AA	ZEM	R600a	220/240-50	9,08		91	0,45 / 9,4	18,3 / 16,5	127
2260032822	HLT 90 RSA	ZEM	R600a	220/240-50	9,08		53	0,45 / 3	14,3	84
2260032673	HLT 99 RSC	ZEM	R600a	220/240-50	9,93		66	0,55 / 1,54	14,3	108
2260032475	HLY 55 AA BT	ZEM	R600a	220/240-50	5,46	1/9	61	0,30 / 6,3	29,6 / 32,8	71
2260032467	HLY 70 AA BT	ZEM	R600a	220/240-50	6,64	1/8	74	0,37 / 8,1	25,2 / 22,0	92
2260032491	HLY 75AA BT	ZEM	R600a	220/240-50	7,39	1/7	81	0,42 / 8,6	22,0 / 22,5	102

Part no.	PTC	Overload cut-out	Capacitor	A h.	B d.	C w.	Notes	Picture	Replaced by
	[id. mark] [no.]	[id. mark] [no.]	[μ F] / [no.]	[mm]	[mm]	[mm]			
2260020033	-	-	3	186	162	240,5	round casing compressor	ZEM 3	531017917851
2260032038	-	-	3	186	162	240,5	round casing and flat brackets compressor	ZEM 4	2260009309
2260032244	power only with control board G12						round casing and flat brackets compressor	ZEM 4	
2260032848							round casing and flat brackets compressor	ZEM 4	
2260032665							round casing and flat brackets compressor	ZEM 4	
2260032657							round casing and flat brackets compressor	ZEM 4	
2260032616			2,5				round casing and flat brackets compressor	ZEM 4	
2260032541			3				round casing and flat brackets compressor	ZEM 4	
2260032566			3				round casing and flat brackets compressor	ZEM 4	
2260032830							round casing and flat brackets compressor	ZEM 4	
2260032814							round casing and flat brackets compressor	ZEM 4	
2260032822	power only with control board G12						round casing and flat brackets compressor	ZEM 4	
2260032673	power only with control board G33U						round casing and flat brackets compressor	ZEM 4	
2260032475	AM90-BM90 50223639001	T 0492/05 2263002301		170	162	237,2	round casing and flat brackets compressor	ZEM 4	2260049016
2260032467	AM90-BM90 50223639001	MRA38043 2263001170		170	162	237,2	round casing and flat brackets compressor	ZEM 4	
2260032491	AM90-BM90 50223639001	MRP334HZ 2263001287		170	162	237,2	round casing and flat brackets compressor	ZEM 4	

COMPRESSORS FOR R600a SORTED BY MODEL

follows >

Part no.	Model	Brand	Gas	Voltage [V-Hz]	Displacement [cc]	Power [Hp]	Power absorption [W]	Run/start current [A]	Run/start windings resistance [Ohm]	Rated power [Kcal/h]
2260032442	HLY 80 AA BT	ZEM	R600a	220/240-50	8,1	1/7	90	0,45 / 8,6	22,0 / 22,5	115
2260032509	HLY 90 AA BT	ZEM	R600a	220/240-50	9,08	1/6	98	0,50 / 9,3	17,6 / 21,6	125
2260032582	HLY 99 AA	ZEM	R600a	220/240-50	9,93		108	0,80 / 11,4	14,2 / 18,3	136
2260020199	HP 12 AH	UNIDAD H.	R600a	220/240-50	12,06	1/5	130	0,64 / 10,7	13,7 / 19,7	150
2260020207	HP 14 AH BT	UNIDAD H.	R600a	220/240-50	14,17	1/5	147	0,72 / 11,2	11,6 / 19,0	172
2260032202	HP 14 AH BT	UNIDAD H.	R600a	220/240-50	14,17	1/5	147	0,72 / 11,2	11,6 / 19,0	172
2260032210	HP 16 AH	UNIDAD H.	R600a	220/240-50	16,14	1/4	160	0,79 / 12,6	9,6 / 17,1	191
2260032426	HPT 12 AH BT	ZEM	R600a	220/240-50	12,1		119	0,54 / 8,0	17,8 / 27,0	154
2260032533	HPT 14 AH	UNIDAD H.	R600a	220/240-50	14,31		137	0,71 / 9,9	14,1 / 20,4	180
2260032350	HPT 16 RSC BT	ZEM	R600a	200/240-50	16,14		108	0,89 / 0,68		161
2260032632	HPY 12 AA	UNIDAD H.	R600a	220/240-50	12,1		127	0,86 / 10,9	14,1 / 18,6	165
2260032855	HPY 12 AA	UNIDAD H.	R600a	220/240-50	12,1		127	0,86 / 10,9	14,1 / 18,6	165
2260032590	HPY 14 AA	UNIDAD H.	R600a	220/240-50	14,31		147	0,98 / 11,5	12,7 / 17,1	190
2260032699	HPY 16 AA	UNIDAD H.	R600a	220/240-50	16,14		159	1,06 / 13,3	10,3 / 16	208
2260049172	HQM 11 AA	ZEM	R600a	220/240-50	10,7		127	1,02 / 11,3	13,4 / 22,9	145
2260050170	HQM 11 AA	ZEM	R600a	220/240-50	10,7		127	1,02 / 11,3	13,4 / 22,9	145

Part no.	PTC	Overload cut-out	Capacitor	A h.	B d.	C w.	Notes	Picture	Replaced by
	[id. mark] [no.]	[id. mark] [no.]	[μ F] / [no.]	[mm]	[mm]	[mm]			
2260032442	AM90-BM90 50223639001	MSP318LZ 2263001303		170	162	237,2	round casing and flat brackets compressor	ZEM 4	
2260032509	-	-		186	162	237,2	round casing and flat brackets compressor	ZEM 4	
2260032582							round casing and flat brackets compressor	ZEM 4	
2260020199	-	-	4	198	162	238	round casing compressor	UNIDAD 2	2260032194
2260020207	AM90-BM90 50223639001	MSP327LZ 2263001246	4 / 2260405028	198	162	238	round casing compressor	UNIDAD 2	
2260032202	-	-		198	162	238	round casing and flat brackets compressor	UNIDAD 3	
2260032210	-	-		198	162	238	round casing and flat brackets compressor	UNIDAD 3	
2260032426	-	-	4				round casing and flat brackets compressor	ZEM 4	
2260032533							round casing and flat brackets compressor	UNIDAD 3	
2260032350	power only with control board G33						round casing and flat brackets compressor	ZEM 4	
2260032632							round casing and flat brackets compressor	UNIDAD 3	
2260032855							round casing and flat brackets compressor	UNIDAD 3	2260032632
2260032590							round casing and flat brackets compressor	ZEM 4	
2260032699							round casing and flat brackets compressor	UNIDAD 3	
2260049172	AM90-BM90 50223639001	T0502/05 2263002392	-	176	162	240	round casing, flat brackets "resting" compressor	ZEM 5	
2260050170				176	162	240	round casing, flat brackets "resting" compressor	ZEM 6	

COMPRESSORS FOR R600a SORTED BY MODEL

follows >

Part no.	Model	Brand	Gas	Voltage [V-Hz]	Displacement [cc]	Power [Hp]	Power absorption [W]	Run/start current [A]	Run/start windings resistance [Ohm]	Rated power [Kcal/h]
2260049263	HQM 12 AA	ZEM	R600a	220/240-50	12,09		139	1,09 / 12	11,7 / 18,8	161
2260050253	HQM 12 AA	ZEM	R600a	220/240-50	12,09		139	1,09 / 12	11,7 / 18,8	161
2260049040	HQM 55 AA	ZEM	R600a	220/240-50	5,46		67	0,58 / 7,1	27,5 / 32,3	71
2260050048	HQM 55 AA	ZEM	R600a	220/240-50	5,46		67	0,58 / 7,1	27,5 / 32,3	71
2260049271	HQM 70 AA	ZEM	R600a	220/240-50	6,64		81	0,61 / 7,1	27,5 / 32,3	91
2260050261	HQM 70 AA	ZEM	R600a	220/240-50	6,64		81	0,61 / 7,1	27,5 / 32,3	91
2260050055	HQM 75 AA	ZEM	R600a	220/240-50	7,39		87	0,66 / 7,5	24,6 / 32,6	100
2260049115	HQM 80 AA	ZEM	R600a	220/240-50	8,1		97	0,68 / 7,5	24,6 / 32,6	112
2260050113	HQM 80 AA	ZEM	R600a	220/240-50	8,1		97	0,68 / 7,5	24,6 / 32,6	112
2260049107	HQM 90 AA	ZEM	R600a	220/240-50	9,08		108	0,82 / 9,3	15,6 / 21,3	124
2260050105	HQM 90 AA	ZEM	R600a	220/240-50	9,08		108	0,82 / 9,3	15,6 / 21,3	124
2260049198	HQT 55 AA	ZEM	R600a	220/240-50	5,46		55	0,25 / 6,9	30,6 / 24,5	73
2260050188	HQT 55 AA	ZEM	R600a	220/240-50	5,46		55	0,25 / 6,9	30,6 / 24,5	73
2260049156	HQT 70 AA	ZEM	R600a	220/240-50	6,64		68	0,33 / 7,3	25,2 / 26,4	94
2260049123	HQT 75 AA	ZEM	R600a	220/240-50	7,39		74	0,37 / 8,8	18,9 / 20,4	103
2260050121	HQT 75 AA	ZEM	R600a	220/240-50	7,39		74	0,37 / 8,8	18,9 / 20,4	103

Part no.	PTC	Overload cut-out	Capacitor	A h.	B d.	C w.	Notes	Picture	Replaced by
	[id. mark] [no.]	[id. mark] [no.]	[μ F] / [no.]	[mm]	[mm]	[mm]			
2260049263	AM90-BM90 50223639001	T0502/05 2263002392	-	176	162	240	round casing, flat brackets "resting" compressor	ZEM 5	
2260050253				176	162	240	round casing, flat brackets "resting" compressor	ZEM 6	
2260049040	AM90-BM90 50223639001	T0602/05 2263002319	-	176	162	240	round casing, flat brackets "resting" compressor	ZEM 5	
2260050048	junction box K 2260215013	AE 25 FU 2263019107	-	176	162	240	round casing, flat brackets "resting" compressor	ZEM 6	
2260049271				176	162	240	round casing, flat brackets "resting" compressor	ZEM 5	
2260050261	junction box K 2260215013	AE 25 FU 2263019107	-	176	162	240	round casing, flat brackets "resting" compressor	ZEM 6	
2260050055	junction box K 2260215013	T0366/05 2263002327	-	176	162	240	round casing, flat brackets "resting" compressor	ZEM 6	
2260049115	AM90-BM90 50223639001	T0366/05 2263002327	-	176	162	240	round casing, flat brackets "resting" compressor	ZEM 5	
2260050113	junction box K 2260215013	AE 18 FU 6 2263019024	-	176	162	240	round casing, flat brackets "resting" compressor	ZEM 6	
2260049107				176	162	240	round casing, flat brackets "resting" compressor	ZEM 5	
2260050105	junction box K 2260215013	T0062/05 2263002368	-	176	162	240	round casing, flat brackets "resting" compressor	ZEM 6	
2260049198	AM90-BM90 50223639001	T0353/05 2263002376	3 / 2260417015	176	162	240	round casing, flat brackets "resting" compressor	ZEM 5	
2260050188	junction box K 2260215013	T0353/05 2263002376	3 / 2260419011	176	162	240	round casing, flat brackets "resting" compressor	ZEM 6	
2260049156	AM90-BM90 50223639001	T0619/05 2263002269	3 / 2260419011	176	162	240	round casing, flat brackets "resting" compressor	ZEM 5	
2260049123	AM90-BM90 50223639001	MRA38043 2263001170	3 / 2260419011	176	162	240	round casing, flat brackets "resting" compressor	ZEM 5	
2260050121			3	176	162	240	round casing, flat brackets "resting" compressor	ZEM 6	

COMPRESSORS FOR R600a SORTED BY MODEL

follows >

Part no.	Model	Brand	Gas	Voltage [V-Hz]	Displacement [cc]	Power [Hp]	Power absorption [W]	Run/start current [A]	Run/start windings resistance [Ohm]	Rated power [Kcal/h]
2260049164	HQT 80 AA	ZEM	R600a	220/240-50	8,1		80	0,41 / 8,8	18,9 / 20,4	113
2260050162	HQT 80 AA	ZEM	R600a	220/240-50	8,1		80	0,41 / 8,8	18,9 / 20,4	113
2260050279	HQT 90 AA	ZEM	R600a	220/240-50	9,08		91	0,45 / 9,4	18,3 / 16,5	127
2260049149	HQY 11 AA	ZEM	R600a	220/240-50	10,7		112	0,60 / 11,7	14,2 / 18,3	146
2260050147	HQY 11 AA	ZEM	R600a	220/240-50	10,7		112	0,60 / 11,7	14,2 / 18,3	146
2260049131	HQY 45 AA	ZEM	R600a	220/240-50	4,56		53	0,41 / 5,4	35,1 / 44,8	60
2260049016	HQY 55 AA	ZEM	R600a	220/240-50	5,46		60	0,45 / 6,3	29,6 / 32,8	72
2260050014	HQY 55 AA	ZEM	R600a	220/240-50	5,46		60	0,45 / 6,3	29,6 / 32,8	72
2260049024	HQY 70 AA	ZEM	R600a	220/240-50	6,64		74	0,53 / 8,1	25,2 / 22	92
2260050022	HQY 70 AA	ZEM	R600a	220/240-50	6,64		74	0,53 / 8,1	25,2 / 22	92
2260049073	HQY 75 AA	ZEM	R600a	220/240-50	7,39		81	0,60 / 8,6	22 / 22,5	102
2260050071	HQY 75 AA	ZEM	R600a	220/240-50	7,39		81	0,60 / 8,6	22 / 22,5	102
2260049065	HQY 80 AA	ZEM	R600a	220/240-50	8,1		89	0,62 / 8,6	22 / 22,5	113
2260050063	HQY 80 AA	ZEM	R600a	220/240-50	8,1		89	0,62 / 8,6	22 / 22,5	113
2260050089	HQY 90 AA	ZEM	R600a	220/240-50	9,08		98	0,71 / 9,3	17,6 / 21,6	125
2260049214	HQY 99 AA	ZEM	R600a	220/240-50	9,93		108	0,80 / 11,4	14,2 / 18,3	136

Part no.	PTC	Overload cut-out	Capacitor	A h.	B d.	C w.	Notes	Picture	Replaced by
	[id. mark] [no.]	[id. mark] [no.]	[μ F] / [no.]	[mm]	[mm]	[mm]			
2260049164	AM90-BM90 50223639001	T0619/05 2263002269	3 / 2260417015	176	162	240	round casing, flat brackets "resting" compressor	ZEM 5	
2260050162	junction box K 2260215013	T0619/05 2263002269	3 / 2260419011	176	162	240	round casing, flat brackets "resting" compressor	ZEM 6	
2260050279	junction box K 2260215013	AE 24 AH 2263019099	4 / 2260419045	176	162	240	round casing, flat brackets "resting" compressor	ZEM 6	
2260049149	AM90-BM90 50223639001	MRA38057 2263001295		186	162	240	round casing, flat brackets "resting" compressor	ZEM 5	
2260050147	junction box K 2260215013	AE 18 FU 6 2263019024	4 / 2260419045	186	162	240	round casing, flat brackets "resting" compressor	ZEM 6	
2260049131				176	162	240	round casing, flat brackets "resting" compressor	ZEM 5	
2260049016	AM90-BM90 50223639001	MSP505HK 2263001337		176	162	240	round casing, flat brackets "resting" compressor	ZEM 5	
2260050014	junction box K 2260215013	AE 23 BY 6 2263019040	3 / 2260419011	176	162	240	round casing, flat brackets "resting" compressor	ZEM 6	
2260049024				176	162	240	round casing, flat brackets "resting" compressor	ZEM 5	
2260050022	junction box K 2260215013	AE 24 AH 2263019099	-	176	162	240	round casing, flat brackets "resting" compressor	ZEM 6	
2260049073	AM90-BM90 50223639001		-	176	162	240	round casing, flat brackets "resting" compressor	ZEM 5	
2260050071	junction box K 2260215013	AE 37 FJ 2263019016	3 / 2260419011	176	162	240	round casing, flat brackets "resting" compressor	ZEM 6	
2260049065				176	162	240	round casing, flat brackets "resting" compressor	ZEM 5	
2260050063	junction box K 2260215013	T0462/05 2263002277	3 / 2260419011	176	162	240	round casing, flat brackets "resting" compressor	ZEM 6	
2260050089	junction box K 2260215013	AE 37 FJ 2263019016	-	176	162	240	round casing, flat brackets "resting" compressor	ZEM 6	
2260049214				176	162	240	round casing, flat brackets "resting" compressor	ZEM 5	

COMPRESSORS FOR R600a SORTED BY MODEL

follows >

Part no.	Model	Brand	Gas	Voltage [V-Hz]	Displacement [cc]	Power [Hp]	Power absorption [W]	Run/start current [A]	Run/start windings resistance [Ohm]	Rated power [Kcal/h]
2260051038	HTK 12 AA	VERDICHTER	R600a	220/240-50	11,14		111	0,55 / 12,7	14,6 / 14	170
2260051046	HTK 70 AA	VERDICHTER	R600a	220/240-50	6,64		67	0,34 / 7,2	28,1 / 24,6	101
2260017062	HV 44 AH	VERDICHTER	R600a	220/240-50	4,38	1/12	53	0,28 / 5,4	34,2 / 46,3	55
2260033069	HV 44 AH	VERDICHTER	R600a	220/240-50	4,38	1/12	53	0,28 / 5,4	34,2 / 46,3	55
2260033085	HV 57 AA	VERDICHTER	R600a	220/240-50	5,73	1/10	67	0,54 / 6,5	29,6 / 40,8	70
2260017054	HV 57 AH	VERDICHTER	R600a	220/240-50	5,73	1/10	60	0,29 / 7,2	26,4 / 27,3	71
2260033051	HV 57 AH	VERDICHTER	R600a	220/240-50	5,73	1/10	60	0,29 / 7,2	26,4 / 27,3	71
2260033119	HVY 44 AA	VERDICHTER	R600a	220/240-50	4,38		53	0,42 / 5,3	30,8 / 44,6	61
2260033101	HVY 57 AA	VERDICHTER	R600a	220/240-50	5,73		64	0,49 / 7,6	24 / 27	76
2260051020	HYK 12 AA	VERDICHTER	R600a	220/240-50	11,14		121	0,86 / 12,4	12,6 / 17,7	170
2260035072	NBK 1112Y	ASPERA	R600a	220/240-50	8,8		94	0,46 / 4,8	14,2 / 26,2	115
2260035098	NBK 1112Y	ASPERA	R600a	220/240-50	8,8		94	0,46 / 4,8	14,2 / 26,2	115
2260035122	NBK 1114Y	ASPERA	R600a	220/240-50	10		105,3	0,51 / 5,1	13,8 / 25,1	132
2260035015	NBK 1116Y	ASPERA	R600a	220/240-50	12,3		128,8	0,58 / 6,3	12,3 / 22,3	165
2260046012	NBK 1116Y	ASPERA	R600a	220/240-50	12,3		128,8	0,58 / 6,3	12,3 / 22,3	165
2260035056	NBK 1118Y	ASPERA	R600a	220/240-50	14,3		144,3	0,72 / 6,3	10,8 / 22,9	189

Part no.	PTC	Overload cut-out	Capacitor	A h.	B d.	C w.	Notes	Picture	Replaced by
	[id. mark] [no.]	[id. mark] [no.]	[μ F] / [no.]	[mm]	[mm]	[mm]			
2260051038	junction box K 2260215013	T0762/05 2263002434	5 / 2260419060	166	161	240	flat brackets "resting" compressor	VERDICHTER 3	
2260051046			2,5	158	161	240	flat brackets "resting" compressor	VERDICHTER 3	
2260017062	AM90-BM90 50223639001	MSP319HK 2263001162	2 / 2260413055	158	159	240		VERDICHTER 1	
2260033069	-	-		158	159	240	flat brackets compressor	VERDICHTER 2	2260017062
2260033085	-	-		172	159	240	flat brackets compressor	VERDICHTER 2	
2260017054	-	-	3	172	159	240		VERDICHTER 1	2260049016
2260033051	-	-		172	159	240	flat brackets compressor	VERDICHTER 2	2260049016
2260033119				158	159	240	flat brackets compressor	VERDICHTER 2	
2260033101				172	159	240	flat brackets compressor	VERDICHTER 2	
2260051020			4	166	161	240	flat brackets "resting" compressor	VERDICHTER 3	
2260035072	PTC 2260209016	MSP309 2263013027	4 / 2260415092	187	162	247	without hook for tray	ASPERA 1	2260032442
2260035098	PTC 2260209016	MSP309 2263013027	4 / 2260415092	187	162	247	with hook for tray	ASPERA 1	2260035114
2260035122				187	162	247	with hook for tray	ASPERA 1	
2260035015				200	162	247	with hook for tray	ASPERA 1	2260046012
2260046012				200	162	247	with hook for tray	ASPERA 1	2260046038
2260035056				200	162	247	with hook for tray	ASPERA 1	2260046020

COMPRESSORS FOR R600a SORTED BY MODEL

follows >

Part no.	Model	Brand	Gas	Voltage [V-Hz]	Displacement [cc]	Power [Hp]	Power absorption [W]	Run/start current [A]	Run/start windings resistance [Ohm]	Rated power [Kcal/h]
2260046020	NBK 1118Y	ASPERA	R600a	220/240-50	14,3		144,3	0,72 / 6,3	10,8 / 22,9	189
2260035114	NBT 1112Y	ASPERA	R600a	220/240-50	8,8		94,8	0,43 / 4,5	15,5 / 24,5	116
2260046046	NBT 1112Y	ASPERA	R600a	220/240-50	8,8		94,8	0,43 / 4,5	15,5 / 24,5	116
2260046087	NBT 1114Y	ASPERA	R600a	220/240-50	10		109,9	0,49 / 5,1	15,7 / 23,8	136
2260035106	NBT 1116Y	ASPERA	R600a	220/240-50	12,3		134,4	0,60 / 5,3	13,2 / 17,6	174
2260046038	NBT 1116Y	ASPERA	R600a	220/240-50	12,3		134,4	0,60 / 5,3	13,2 / 17,6	174
2260035130	NBT 1118Y	ASPERA	R600a	220/240-50	14,3		156	0,71 / 6,9	11,0 / 16,4	197
2260046053	NBT 1118Y	ASPERA	R600a	220/240-50	14,3		156	0,71 / 6,9	11,0 / 16,4	197
2260046145	NBU 1112Y	ASPERA	R600a							
2260046095	NBU 1116Y	ASPERA	R600a							
2260046103	NBU 1118Y	ASPERA	R600a							
2260024019	TLE S4K	DANFOSS	R600a	220/240-50		1/12	57	0,54 / 2,9	19,1 / 21,1	

Part no.	PTC	Overload cut-out	Capacitor	A h.	B d.	C w.	Notes	Picture	Replaced by
	[id. mark] [no.]	[id. mark] [no.]	[μ F] / [no.]	[mm]	[mm]	[mm]			
2260046020				200	162	247	with hook for tray	ASPERA 1	2260046053
2260035114				187	162	247	with hook for tray	ASPERA 1	
2260046046				187	162	247	with hook for tray	ASPERA 1	
2260046087				187	162	247	with hook for tray	ASPERA 1	
2260035106				200	162	247	with hook for tray	ASPERA 1	2260046038
2260046038				200	162	247	with hook for tray	ASPERA 1	
2260035130	PTC 2260209016	2390265201	4 / 2260416116	200	162	247	with hook for tray	ASPERA 1	2260046053
2260046053	PTC 2260209016	2390265201	4 / 2260416116	200	162	247	with hook for tray	ASPERA 1	
2260046145								ASPERA 1	
2260046095								ASPERA 1	
2260046103								ASPERA 1	
2260024019	2260207010	inside the casing						DANFOSS 1	

COMPRESSORS FOR R134a SORTED BY RATED POWER

follows >

Part no.	Model	Brand	Gas	Voltage [V-Hz]	Displacement [cc]	Power [Hp]	Power absorption [W]	Run/start current [A]	Run/start windings resistance [Ohm]	Rated power [Kcal/h]
2260017039	OF 605A	VERDICHTER	R134a	220/240-50	3,36	1/10	75	0,56 / 2,8	29,6 / 40,8	59
2260033036	OF 605	VERDICHTER	R134a	220/240-50	3,36	1/10	72	0,56 / 6,5	29,6 / 40,8	61
2260009127	GL 35 AA	ZEM	R134a	220/240-50	3,38	1/10	88	0,64 / 6,8	31,7 / 33,0	73
2260020074	GL 35 AA BT	ZEM	R134a	220/240-50	3,38	1/10	88	0,64 / 6,8	31,7 / 33,0	73
2260032079	GL 35 AA BT ES	ZEM	R134a	220/240-50	3,38	1/10	88	0,64 / 6,8	31,7 / 33,0	73
2260009085	GL 35 AH	ZEM	R134a	220/240-50	3,67	1/10	70	0,35 / 2,8	31,8 / 30,2	74
2260014028	GD 40 AA	UNIDAD H.	R134a	220/240-50	4,03	1/9	96	0,72 / 7,5	25,5 / 21,2	78
2260020280	GL 40 AA BT	ZEM	R134a	220/240-50	4,01	1/9	92	0,68 / 7,5	24,6 / 34,0	81
2260032285	GL 40 AA	ZEM	R134a	200/240-50	4,01	1/9	92	0,68 / 7,5	24,6 / 34	81
2260017013	OF 789	VERDICHTER	R134a	220/240-50	4,38	1/8	92	0,68 / 9,8	19,9 / 21,1	84
2260033010	OF 789	VERDICHTER	R134a	220/240-50	4,38	1/8	92	0,68 / 9,8	19,9 / 21,1	84
2260033127	OF 789	VERDICHTER	R134a	220/240-50	4,38	1/8	92	0,68 / 9,8	19,9 / 21,1	84
2260009077	GL 45 AK	ZEM	R134a	220/240-50	4,56	1/8	91	0,6 / 3,5	18 / 20	92
2260009135	GL 45 AA	ZEM	R134a	220/240-50	4,56	1/8	100	0,71 / 7,5	21,2 / 24,3	96
2260020082	GL 45 AA BT	ZEM	R134a	220/240-50	4,56	1/8	100	0,71 / 7,5	21,2 / 24,3	96
2260032087	GL 45 AA BT ES	ZEM	R134a	220/240-50	4,56	1/8	100	0,71 / 7,5	21,2 / 24,3	96

Part no.	PTC	Overload cut-out	Capacitor	A h.	B d.	C w.	Notes	Picture	Replaced by
	[id. mark] [no.]	[id. mark] [no.]	[μ F] / [no.]	[mm]	[mm]	[mm]			
2260017039	AM90-BM90 50223639001	MRP334HZ 2263001055	3	158	159	240		VERDICHTER 1	2260009127
2260033036	-	-	3	158	159	240	flat brackets compressor	VERDICHTER 2	2260009127
2260009127	AM90-BM90 50223639001	MRA38010 2263001014	3	166	162	240,5	traditional compressor	ZEM 1	
2260020074	-	-	3	166	162	240,5	round casing compressor	ZEM 3	
2260032079	-	-	3	166	162	240,5	round casing and flat brackets compressor	ZEM 4	
2260009085	EM90-FM90 2362633600	MRP439HK 2263001139	3 / 2260401258	170	162	240,5	traditional compressor	ZEM 1	
2260014028	PTC3001-4 50222732005	4TN213NFB 50222738002	3	159	140	196		UNIDAD 1	
2260020280	-	-	3	166	162	240,5	round casing compressor	ZEM 3	
2260032285							round casing and flat brackets compressor	ZEM 4	
2260017013	AM90-BM90 50223639001	MRP334HZ 2263001055	4	172	159	240		VERDICHTER 1	2260009135
2260033010	-	-	4	172	159	240	flat brackets compressor	VERDICHTER 2	2260009135
2260033127	-	-	4	172	159	240	flat brackets compressor	VERDICHTER 2	2260009135
2260009077	EM90-FM90 2362633600	MRP439HK 2263001139	4,5 / 2260402132	191	162	240,5	traditional compressor	ZEM 1	2260009093
2260009135	AM90-BM90 50223639001	MRP318LZ 50222086006	3	166	162	240,5	traditional compressor	ZEM 1	
2260020082	-	-	3	166	162	240,5	round casing compressor	ZEM 3	2260009135
2260032087	-	-	3	166	162	240,5	round casing and flat brackets compressor	ZEM 4	

COMPRESSORS FOR R134a SORTED BY RATED POWER

follows >

Part no.	Model	Brand	Gas	Voltage [V-Hz]	Displacement [cc]	Power [Hp]	Power absorption [W]	Run/start current [A]	Run/start windings resistance [Ohm]	Rated power [Kcal/h]
2260032400	GL 45 AN BT ES	ZEM	R134a	200/220-50 220/230-60	4,56	1/8	101	0,88 / 12,2	13,0 / 21,9	96
2260009093	GL 45 AH	ZEM	R134a	220/240-50	4,56	1/8	86	0,43 / 7,7	23,4 / 26,7	97
2260020066	GL 45 AH BT	ZEM	R134a	220/240-50	4,56	1/8	86	0,43 / 7,7	23,4 / 26,7	97
2260032061	GL 45 AH BT ES	ZEM	R134a	220/240-50	4,56	1/8	86	0,43 / 7,7	23,4 / 26,7	97
2260020306	GL 50 AA	ZEM	R134a	220/240-50	5,12	1/7	110	0,75 / 8,5	19,7 / 25,1	110
2260032301	GL 50 AA	ZEM	R134a	200/240-50	5,12	1/7	110	0,75 / 8,6	19,7 25,1	110
2260032319	GL 50 AH-HT BT ES	ZEM	R134a	220/240-50	5,12	1/7	102	0,55 / 4,3	18,3 / 24,5	111
2260052010	THB 1350YS	TECUMSEH	R134a	220/240-50	5,6		107	0,8 / 9	18,53 / 24,88	113
2260017021	OF 1033A	VERDICHTER	R134a	220/240-50	5,73	1/6	113	0,88 / 11,8	14,4 / 19,6	118
2260033028	OF 1033A	VERDICHTER	R134a	220/240-50	5,73	1/6	113	0,88 / 11,8	14,4 / 19,6	118
2260009168	GL 60 AK	ZEM	R134a	220/240-50	5,99	1/6	112	0,8 / 6	14 / 17	122
2260032483	GLY 55 AA BT ES	ZEM	R134a	220/240-50	5,46		111	0,79 / 10,3	15,4 / 20,6	128
2260009143	GL 60 AA	ZEM	R134a	220/240-50	5,99	1/6	128	0,88 / 9,0	16,9 / 23,6	132
2260020090	GL 60 AA BT	ZEM	R134a	220/240-50	5,99	1/6	128	0,88 / 9,0	16,9 / 23,6	132
2260032095	GL 60 AA BT ES	ZEM	R134a	220/240-50	5,99	1/6	128	0,88 / 9,0	16,9 / 23,6	132
2260009150	GL 60 AH	ZEM	R134a	220/240-50	5,99	1/6	113	0,59 / 9,9	16,2 / 22,2	133

Part no.	PTC	Overload cut-out	Capacitor	A h.	B d.	C w.	Notes	Picture	Replaced by
	[id. mark] [no.]	[id. mark] [no.]	[μ F] / [no.]	[mm]	[mm]	[mm]			
2260032400	-	-		170	162	237,2	round casing and flat brackets compressor	ZEM 4	
2260009093	EM90-FM90 2362633600	MRP439HK 2263001139	3 / 2260401258	170	162	240,5	traditional compressor	ZEM 1	
2260020066	-	-	3	170	162	240,5	round casing compressor	ZEM 3	
2260032061	-	-	3	170	162	240,5	round casing and flat brackets compressor	ZEM 4	
2260020306	AM90-BM90 50223639001	MRP318LZ 50222086006	3	170	162	240,5	round casing compressor	ZEM 3	
2260032301							round casing and flat brackets compressor	ZEM 4	
2260032319	AM90-BM90 50223639001	MRP505TXS 2263001253	3 / 2260401258	170	162	240,5	round casing and flat brackets compressor	ZEM 4	
2260052010								TECUMSEH 1	
2260017021	AM90-BM90 50223639001	MRP342L 50224127006	4	173	159	240		VERDICHTER 1	2260009143
2260033028	-	-	4	173	159	240	flat brackets compressor	VERDICHTER 2	2260009143
2260009168	EM90-FM90 2362633600	MRP318LZ 50222086006	5 / 2260401802	191	162	240,5	traditional compressor	ZEM 1	2260009150
2260032483	AM90-BM90 50223639001	MRP348LZ 2263001196		170	162	240,5	round casing and flat brackets compressor	ZEM 4	
2260009143	AM90-BM90 50223639001	MRA38024 2263001154	3	170	162	240,5	traditional compressor	ZEM 1	
2260020090	-	-	3	170	162	240,5	round casing compressor	ZEM 3	2260032095
2260032095	-	-	3	170	162	240,5	round casing and flat brackets compressor	ZEM 4	
2260009150	EM90-FM90 2362633600	MRP318LZ 50222086006	3 / 2260401258	186	162	240,5	traditional compressor	ZEM 1	

COMPRESSORS FOR R134a SORTED BY RATED POWER

follows >

Part no.	Model	Brand	Gas	Voltage [V-Hz]	Displacement [cc]	Power [Hp]	Power absorption [W]	Run/start current [A]	Run/start windings resistance [Ohm]	Rated power [Kcal/h]
2260020108	GL 60 AH BT	ZEM	R134a	220/240-50	5,99	1/6	113	0,59 / 9,9	16,2 / 22,2	133
2260032103	GL 60 AH BT ES	ZEM	R134a	220/240-50	5,99	1/6	113	0,59 / 9,9	16,2 / 22,2	133
2260032293	GL 70 AA	ZEM	R134a	200/240-50	6,64	1/5	139	0,97 / 10,1	14,6 / 22,3	149
2260020264	GL 70 AH BT	ZEM	R134a	220/240-50	6,64	1/5	123	0,64 / 11,4	13,4 / 19,7	150
2260009184	GL 80 AK	ZEM	R134a	220/240-50	8,1	1/5	148	1 / 6	11 / 13	166
2260032418	GL 80 AN BT ES	ZEM	R134a	200/220-50 220/230-60	8,1	1/5	175	1,7 / 18	5,8 / 11,0	166
2260009176	GL 80 AA	ZEM	R134a	220/240-50	8,1	1/5	159	1,1 / 11,5	11,6 / 21,2	173
2260020116	GL 80 AA BT	ZEM	R134a	220/240-50	8,1	1/5	159	1,1 / 11,5	11,6 / 21,2	173
2260032111	GL 80 AA BT ES	ZEM	R134a	220/240-50	8,1	1/5	159	1,1 / 11,5	11,6 / 21,2	173
2260009200	GL 80 AH	ZEM	R134a	220/240-50	8,1	1/5	142	0,74 / 11,9	11,9 / 19,0	175
2260009218	GL 90 AH	ZEM	R134a	220/240-50	8,1	1/5	142	0,74 / 11,9	11,9 / 19,0	175
2260009325	GL 80 AH-HT	ZEM	R134a	220/240-50	8,1	1/5	142	0,74 / 11,9	11,9 / 19,0	175
2260020124	GL 80 AH BT	ZEM	R134a	220/240-50	8,1	1/5	142	0,74 / 11,9	11,9 / 19,0	175
2260032129	GL 80 AH BT ES	ZEM	R134a	220/240-50	8,1	1/5	142	0,74 / 11,9	11,9 / 19,0	175
2260042011	DB 77 C14	MATSUSHITA	R134a	230/240-50	7,69			0,92 / 9,47	11,6 / 16,4	183
2260009234	GL 90 AA	ZEM	R134a	220/240-50	9,08	1/4	180	1,3 / 12,8	9,2 / 22,8	195

Part no.	PTC	Overload cut-out	Capacitor	A h.	B d.	C w.	Notes	Picture	Replaced by
	[id. mark] [no.]	[id. mark] [no.]	[μ F] / [no.]	[mm]	[mm]	[mm]			
2260020108	-	-	3	186	162	240,5	round casing compressor	ZEM 3	2260009150
2260032103	-	-	3	186	162	240,5	round casing and flat brackets compressor	ZEM 4	2260009150
2260032293							round casing and flat brackets compressor	ZEM 4	
2260020264	-	-	4	186	162	240,5	round casing compressor	ZEM 3	2260020298
2260009184	EM90-FM90 2362633600	MRP318LZ 50222086006	7 / 2260401084	191	162	240,5	traditional compressor	ZEM 1	2260009200
2260032418	-	-		198	162	237,2	round casing and flat brackets compressor	ZEM 4	
2260009176	AM90-BM90 50223639001	MRP304LZ 2263001097	4	186	162	240,5	traditional compressor	ZEM 1	
2260020116	-	-	4	186	162	240,5	round casing compressor	ZEM 3	2260009176
2260032111	-	-	4	186	162	240,5	round casing and flat brackets compressor	ZEM 4	
2260009200	EM90-FM90 2362633600	MRP318LZ 50222086006	4 / 2260401092	186	162	240,5	traditional compressor	ZEM 1	
2260009218	EM90-FM90 2362633600	MRP348LZ 2263001196	6 / 2260406026	186	162	240,5	traditional compressor	ZEM 1	
2260009325	AM90-BM90 50223639001	MRA38024 2263001154	4 / 2260401092	186	162	240,5	traditional compressor	ZEM 1	2260009200
2260020124	-	-	4	186	162	240,5	round casing compressor	ZEM 3	2260009200
2260032129	-	-	4	186	162	240,5	round casing and flat brackets compressor	ZEM 4	2260009200
2260042011	MM8 619 2263015014	together with PTC	4 / 2390077903	215	185	233	flat brackets compressor	MATSUSHITA 1	2260009218
2260009234	AM90-BM90 50223639001	MRP304LZ 2263001097	4	186	162	240,5	traditional compressor	ZEM 1	

COMPRESSORS FOR R134a SORTED BY RATED POWER

follows >

Part no.	Model	Brand	Gas	Voltage [V-Hz]	Displacement [cc]	Power [Hp]	Power absorption [W]	Run/start current [A]	Run/start windings resistance [Ohm]	Rated power [Kcal/h]
2260020140	GL 90 AA BT	ZEM	R134a	220/240-50	9,08	1/4	180	1,3 / 12,8	9,2 / 22,8	195
2260032145	GL 90 AA BT ES	ZEM	R134a	220/240-50	9,08	1/4	180	1,3 / 12,8	9,2 / 22,8	195
2260032517	GLY 80 AA BT ES	ZEM	R134a	220/240-50	8,1		159	1,12 / 13,3	10,3 / 16,0	195
2260009317	GL 90 AH-HT	ZEM	R134a	220/240-50	9,08	1/4	158	0,83 / 13,4	9,6 / 17,1	196
2260020132	GL 90 AH BT	ZEM	R134a	220/240-50	9,08	1/4	158	0,83 / 13,4	9,6 / 17,1	196
2260032137	GL 90 AH BT ES	ZEM	R134a	220/240-50	9,08	1/4	158	0,83 / 13,4	9,6 / 17,1	196
2260009283	GL 99 AA	ZEM	R134a	220/240-50	9,93	1/4	169	0,85 / 13,4	9,6 / 16,3	215
2260020157	GL 99 AA BT	ZEM	R134a	220/240-50	9,93	1/4	169	0,85 / 13,4	9,6 / 16,3	215
2260021015	GL 99AH	UNIDAD H.	R134a	220/240-50	9,93	1/4	169	0,85 / 13,4	9,6 / 16,3	215
2260032152	GL 99 AA BT ES	ZEM	R134a	220/240-50	9,93	1/4	169	0,85 / 13,4	9,6 / 16,3	215
2260048018	GLY 40 AD	UNIDAD H.	R134a	115-60		1/9				
2260048026	GLY 50 AD	UNIDAD H.	R134a	115-60		1/6				

Part no.	PTC	Overload cut-out	Capacitor	A h.	B d.	C w.	Notes	Picture	Replaced by
	[id. mark] [no.]	[id. mark] [no.]	[μ F] / [no.]	[mm]	[mm]	[mm]			
2260020140	-	-	4	186	162	240,5	round casing compressor	ZEM 3	2260032145
2260032145	-	-	4	186	162	240,5	round casing and flat brackets compressor	ZEM 4	
2260032517	-	-		186	162	240,5	round casing and flat brackets compressor	ZEM 4	2260009218
2260009317	AM90-BM90 50223639001	MRP348LZ 2263001196	6 / 2260401167	198	162	240,5	traditional compressor	ZEM 1	2260009218
2260020132	-	-	6	198	162	240,5	round casing compressor	ZEM 3	2260009218
2260032137	-	-	6	198	162	240,5	round casing and flat brackets compressor	ZEM 4	2260009218
2260009283	AM90-BM90 50223639001	MRP304LZ 2263001097	6	198	162	240,5	traditional compressor	ZEM 1	
2260020157	-	-	6	198	162	240,5	round casing compressor	ZEM 3	2260009283
2260021015	EM90-FM90 2362633600	MRP348LZ 2263001196	6 / 2260406028	198	162	240,5	traditional compressor	UNIDAD 4	
2260032152	-	-	6	198	162	240,5	round casing and flat brackets compressor	ZEM 4	
2260048018								UNIDAD 2	
2260048026								UNIDAD 2	

COMPRESSORS FOR R600a SORTED BY RATED POWER

follows >

Part no.	Model	Brand	Gas	Voltage [V-Hz]	Displacement [cc]	Power [Hp]	Power absorption [W]	Run/start current [A]	Run/start windings resistance [Ohm]	Rated power [Kcal/h]
2260032228	HL 60 RSA BT	ZEM	R600a	200/240-50	5,99		36	0,29 / 0,2		49
2260017062	HV 44 AH	VERDICHTER	R600a	220/240-50	4,38	1/12	53	0,28 / 5,4	34,2 / 46,3	55
2260033069	HV 44 AH	VERDICHTER	R600a	220/240-50	4,38	1/12	53	0,28 / 5,4	34,2 / 46,3	55
2260049131	HQY 45 AA	ZEM	R600a	220/240-50	4,56		53	0,41 / 5,4	35,1 / 44,8	60
2260032616	HLT 45 AA	ZEM	R600a	220/240-50	4,56		49	0,24 / 5,7	35,6 / 33,4	61
2260033119	HVY 44 AA	VERDICHTER	R600a	220/240-50	4,38		53	0,42 / 5,3	30,8 / 44,6	61
2260047010	BPM 1072Y	ASPERA	R600a	200-50 208/230-60	5,61		65,8	0,48 / 2,5	33,1 / 34,7	64
2260043019	EMU 32 CLC	ASPERA	R600a	220/240-50	5,96		63	0,30 / , ,	38,5 / 26,0	69
2260033085	HV 57 AA	VERDICHTER	R600a	220/240-50	5,73	1/10	67	0,54 / 6,5	29,6 / 40,8	70
2260017054	HV 57 AH	VERDICHTER	R600a	220/240-50	5,73	1/10	60	0,29 / 7,2	26,4 / 27,3	71
2260032475	HLY 55 AA BT	ZEM	R600a	220/240-50	5,46	1/9	61	0,30 / 6,3	29,6 / 32,8	71
2260033051	HV 57 AH	VERDICHTER	R600a	220/240-50	5,73	1/10	60	0,29 / 7,2	26,4 / 27,3	71
2260049040	HQM 55 AA	ZEM	R600a	220/240-50	5,46		67	0,58 / 7,1	27,5 / 32,3	71
2260050048	HQM 55 AA	ZEM	R600a	220/240-50	5,46		67	0,58 / 7,1	27,5 / 32,3	71
2260049016	HQY 55 AA	ZEM	R600a	220/240-50	5,46		60	0,45 / 6,3	29,6 / 32,8	72
2260050014	HQY 55 AA	ZEM	R600a	220/240-50	5,46		60	0,45 / 6,3	29,6 / 32,8	72

Part no.	PTC	Overload cut-out	Capacitor	A h.	B d.	C w.	Notes	Picture	Replaced by
	[id. mark] [no.]	[id. mark] [no.]	[μ F] / [no.]	[mm]	[mm]	[mm]			
2260032228	power only with control board G11						round casing and flat brackets compressor	ZEM 4	
2260017062	AM90-BM90 50223639001	MSP319HK 2263001162	2 / 2260413055	158	159	240		VERDICHTER 1	
2260033069	-	-		158	159	240	flat brackets compressor	VERDICHTER 2	2260017062
2260049131				176	162	240	round casing, flat brackets "resting" compressor	ZEM 5	
2260032616			2,5				round casing and flat brackets compressor	ZEM 4	
2260033119				158	159	240	flat brackets compressor	VERDICHTER 2	
2260047010				150	148	220	with hook for tray	ASPERA 3	
2260043019	PTC 2260209016	T0133/07 2263012029	3 / 2260417155	163	150	179		ASPERA 2	2260050188
2260033085	-	-		172	159	240	flat brackets compressor	VERDICHTER 2	
2260017054	-	-	3	172	159	240		VERDICHTER 1	2260049016
2260032475	AM90-BM90 50223639001	T 0492/05 2263002301		170	162	237,2	round casing and flat brackets compressor	ZEM 4	2260049016
2260033051	-	-		172	159	240	flat brackets compressor	VERDICHTER 2	2260049016
2260049040	AM90-BM90 50223639001	T0602/05 2263002319	-	176	162	240	round casing, flat brackets "resting" compressor	ZEM 5	
2260050048	junction box K 2260215013	AE 25 FU 2263019107	-	176	162	240	round casing, flat brackets "resting" compressor	ZEM 6	
2260049016	AM90-BM90 50223639001	MSP505HK 2263001337		176	162	240	round casing, flat brackets "resting" compressor	ZEM 5	
2260050014	junction box K 2260215013	AE 23 BY 6 2263019040	3 / 2260419011	176	162	240	round casing, flat brackets "resting" compressor	ZEM 6	

COMPRESSORS FOR R600a SORTED BY RATED POWER

follows >

Part no.	Model	Brand	Gas	Voltage [V-Hz]	Displacement [cc]	Power [Hp]	Power absorption [W]	Run/start current [A]	Run/start windings resistance [Ohm]	Rated power [Kcal/h]
2260032541	HLT 55 AA BT OM	ZEM	R600a	220/240-50	5,46		55	0,26 / 6,9	30,6 / 24,5	73
2260049198	HQT 55 AA	ZEM	R600a	220/240-50	5,46		55	0,25 / 6,9	30,6 / 24,5	73
2260050188	HQT 55 AA	ZEM	R600a	220/240-50	5,46		55	0,25 / 6,9	30,6 / 24,5	73
2260032368	HL 60 AA BT	ZEM	R600a	220/240-50	5,99	1/9	80	0,61 / 7,2	31,7 / 33,0	76
2260033101	HVY 57 AA	VERDICHTER	R600a	220/240-50	5,73		64	0,49 / 7,6	24 / 27	76
2260009259	HL 60 AH	ZEM	R600a	220/240-50	5,99	1/9	65	0,2 / 6,3	31,8 / 30,2	77
2260016015	HL 60 AH	ZEM	R600a	220/240-50	5,99	1/9	65	0,2 / 6,3	31,8 / 30,2	77
2260020165	HL 60 AH BT	ZEM	R600a	220/240-50	5,99	1/9	65	0,2 / 6,3	31,8 / 30,2	77
2260032160	HL 60 AH BT	ZEM	R600a	220/240-50	5,99	1/9	65	0,2 / 6,3	31,8 / 30,2	77
2260032244	HL 99 RSA BT	ZEM	R600a	200/240-50	9,93		54	0,42 / 0,4		81
2260032822	HLT 90 RSA	ZEM	R600a	220/240-50	9,08		53	0,45 / 3	14,3	84
2260032327	HL 70 AA BT	ZEM	R600a	220/240-50	6,64	1/8	86	0,67 / 7,7	24,6 / 34,0	86
2260009242	HL 70 AH	ZEM	R600a	220/240-50	6,64	1/8	72	0,34 / 7,2	26,9 / 28,1	88
2260020017	HL 70 AH BT	ZEM	R600a	220/240-50	6,64	1/8	72	0,34 / 7,2	26,9 / 28,1	88
2260032012	HL 70 AH BT	ZEM	R600a	220/240-50	6,64	1/8	72	0,34 / 7,2	26,9 / 28,1	88
2260032848	HLM 70 AA	ZEM	R600a	220/240-50	6,64		81	0,61 / 7,1	28,1 / 33,4	91

Part no.	PTC	Overload cut-out	Capacitor	A h.	B d.	C w.	Notes	Picture	Replaced by
	[id. mark] [no.]	[id. mark] [no.]	[μ F] / [no.]	[mm]	[mm]	[mm]			
2260032541			3				round casing and flat brackets compressor	ZEM 4	
2260049198	AM90-BM90 50223639001	T0353/05 2263002376	3 / 2260417015	176	162	240	round casing, flat brackets "resting" compressor	ZEM 5	
2260050188	junction box K 2260215013	T0353/05 2263002376	3 / 2260419011	176	162	240	round casing, flat brackets "resting" compressor	ZEM 6	
2260032368	-	-		162	162	240,5	round casing and flat brackets compressor	ZEM 4	2260049016
2260033101				172	159	240	flat brackets compressor	VERDICHTER 2	
2260009259	AM90-BM90 50223639001	MSP319HK 2263001162	3 / 2260401258	170	162	240,5	traditional compressor	ZEM 1	2260049016
2260016015	-	-	3	170	162	240,5	traditional compressor	ZEM 2	2260049016
2260020165	-	-	3	170	162	240,5	round casing compressor	ZEM 3	2260049016
2260032160	-	-		170	162	240,5	round casing and flat brackets compressor	ZEM 4	2260049016
2260032244	power only with control board G12						round casing and flat brackets compressor	ZEM 4	
2260032822	power only with control board G12						round casing and flat brackets compressor	ZEM 4	
2260032327	AM90-BM90 50223639001	MRP334HZ 2263001287		162	162	240,5	round casing and flat brackets compressor	ZEM 4	
2260009242	AM90-BM90 50223639001	MSP319HK 2263001162	3 / 2260401258	170	162	240,5	traditional compressor	ZEM 1	2260032467
2260020017	-	-	3	170	162	240,5	round casing compressor	ZEM 3	2260032467
2260032012	AM90-BM90 50223639001	MSP319HK 2263001162	3 / 2260401258	170	162	240,5	round casing and flat brackets compressor	ZEM 4	2260032467
2260032848							round casing and flat brackets compressor	ZEM 4	

COMPRESSORS FOR R600a SORTED BY RATED POWER

follows >

Part no.	Model	Brand	Gas	Voltage [V-Hz]	Displacement [cc]	Power [Hp]	Power absorption [W]	Run/start current [A]	Run/start windings resistance [Ohm]	Rated power [Kcal/h]
2260049271	HQM 70 AA	ZEM	R600a	220/240-50	6,64		81	0,61 / 7,1	27,5 / 32,3	91
2260050261	HQM 70 AA	ZEM	R600a	220/240-50	6,64		81	0,61 / 7,1	27,5 / 32,3	91
2260032467	HLY 70 AA BT	ZEM	R600a	220/240-50	6,64	1/8	74	0,37 / 8,1	25,2 / 22,0	92
2260047028	BPK 1084Y	ASPERA	R600a	220/240-50	6,67		82,9	0,51 / 3,6	29,6 / 39,1	92
2260049024	HQY 70 AA	ZEM	R600a	220/240-50	6,64		74	0,53 / 8,1	25,2 / 22	92
2260050022	HQY 70 AA	ZEM	R600a	220/240-50	6,64		74	0,53 / 8,1	25,2 / 22	92
2260049156	HQT 70 AA	ZEM	R600a	220/240-50	6,64		68	0,33 / 7,3	25,2 / 26,4	94
2260025057	FGS 50 CA	EMBRACO	R600a	220/240-50	7,16		83	0,54 / 3,4	38 / 15,6	99
2260025065	FGS 50 CA	EMBRACO	R600a	220/240-50	7,16		83	0,54 / 3,4	38 / 15,6	99
2260025099	FGS 50 CA	EMBRACO	R600a	220/240-50	7,16		83	0,54 / 3,4	38 / 15,6	99
2260050055	HQM 75 AA	ZEM	R600a	220/240-50	7,39		87	0,66 / 7,5	24,6 / 32,6	100
2260051046	HTK 70 AA	VERDICHTER	R600a	220/240-50	6,64		67	0,34 / 7,2	28,1 / 24,6	101
2260032491	HLY 75AA BT	ZEM	R600a	220/240-50	7,39	1/7	81	0,42 / 8,6	22,0 / 22,5	102
2260049073	HQY 75 AA	ZEM	R600a	220/240-50	7,39		81	0,60 / 8,6	22 / 22,5	102
2260050071	HQY 75 AA	ZEM	R600a	220/240-50	7,39		81	0,60 / 8,6	22 / 22,5	102
2260032384	HL 80 AA BT	ZEM	R600a	220/240-50	8,1	1/7	94	0,71 / 9,3	18,0 / 23,0	103

Part no.	PTC	Overload cut-out	Capacitor	A h.	B d.	C w.	Notes	Picture	Replaced by
	[id. mark] [no.]	[id. mark] [no.]	[µF] / [no.]	[mm]	[mm]	[mm]			
2260049271				176	162	240	round casing, flat brackets "resting" compressor	ZEM 5	
2260050261	junction box K 2260215013	AE 25 FU 2263019107	-	176	162	240	round casing, flat brackets "resting" compressor	ZEM 6	
2260032467	AM90-BM90 50223639001	MRA38043 2263001170		170	162	237,2	round casing and flat brackets compressor	ZEM 4	
2260047028				105	148	220	with hook for tray	ASPERA 3	
2260049024				176	162	240	round casing, flat brackets "resting" compressor	ZEM 5	
2260050022	junction box K 2260215013	AE 24 AH 2263019099	-	176	162	240	round casing, flat brackets "resting" compressor	ZEM 6	
2260049156	AM90-BM90 50223639001	T0619/05 2263002269	3 / 2260419011	176	162	240	round casing, flat brackets "resting" compressor	ZEM 5	
2260025057	BEA503 2263009025	MRA58155 2263008027	5 / 2260410028	195	173	203,8	without hook for tray	EMBRACO 1	2260009267
2260025065	BEA503 2263009025	MRA58155 2263008027	5 / 2260410028	195	173	203,8	with hook for tray	EMBRACO 1	
2260025099	BEA503 2263009025	MRA58155 2263008027	5 / 2260410028	195	173	203,8	without hook for tray	EMBRACO 1	2260025065
2260050055	junction box K 2260215013	T0366/05 2263002327	-	176	162	240	round casing, flat brackets "resting" compressor	ZEM 6	
2260051046			2,5	158	161	240	flat brackets "resting" compressor	VERDICHTER 3	
2260032491	AM90-BM90 50223639001	MRP334HZ 2263001287		170	162	237,2	round casing and flat brackets compressor	ZEM 4	
2260049073	AM90-BM90 50223639001		-	176	162	240	round casing, flat brackets "resting" compressor	ZEM 5	
2260050071	junction box K 2260215013	AE 37 FJ 2263019016	3 / 2260419011	176	162	240	round casing, flat brackets "resting" compressor	ZEM 6	
2260032384	AM90-BM90 50223639001	MSP318LZ 2263001303		162	162	240,5	round casing and flat brackets compressor	ZEM 4	

COMPRESSORS FOR R600a SORTED BY RATED POWER

follows >

Part no.	Model	Brand	Gas	Voltage [V-Hz]	Displacement [cc]	Power [Hp]	Power absorption [W]	Run/start current [A]	Run/start windings resistance [Ohm]	Rated power [Kcal/h]
2260049123	HQT 75 AA	ZEM	R600a	220/240-50	7,39		74	0,37 / 8,8	18,9 / 20,4	103
2260050121	HQT 75 AA	ZEM	R600a	220/240-50	7,39		74	0,37 / 8,8	18,9 / 20,4	103
2260009267	HL 80 AH	ZEM	R600a	220/240-50	8,1	1/7	84	0,43 / 9,0	18,7 / 25,5	104
2260020041	HL 80 AH BT	ZEM	R600a	220/240-50	8,1	1/7	84	0,43 / 9,0	18,7 / 25,5	104
2260032046	HL 80 AH BT	ZEM	R600a	220/240-50	8,1	1/7	84	0,43 / 9,0	18,7 / 25,5	104
2260032673	HLT 99 RSC	ZEM	R600a	220/240-50	9,93		66	0,55 / 1,54	14,3	108
2260032665	HLM 80 AA	ZEM	R600a	220/240-50	8,1		97	0,68 / 7,5	24,6 / 32,6	112
2260049115	HQM 80 AA	ZEM	R600a	220/240-50	8,1		97	0,68 / 7,5	24,6 / 32,6	112
2260050113	HQM 80 AA	ZEM	R600a	220/240-50	8,1		97	0,68 / 7,5	24,6 / 32,6	112
2260032566	HLT 80 AA	ZEM	R600a	220/240-50	8,1		80	0,43 / 8,8	18,9 / 20,4	113
2260049065	HQY 80 AA	ZEM	R600a	220/240-50	8,1		89	0,62 / 8,6	22 / 22,5	113
2260049164	HQT 80 AA	ZEM	R600a	220/240-50	8,1		80	0,41 / 8,8	18,9 / 20,4	113
2260050063	HQY 80 AA	ZEM	R600a	220/240-50	8,1		89	0,62 / 8,6	22 / 22,5	113
2260050162	HQT 80 AA	ZEM	R600a	220/240-50	8,1		80	0,41 / 8,8	18,9 / 20,4	113
2260032335	HL 90 AA BT	ZEM	R600a	220/240-50	9,08	1/7	104	0,76 / 10,3	16,0 / 21,0	114
2260009291	HL 90 AH	ZEM	R600a	220/240-50	9,08	1/7	92	0,48 / 9,0	18,7 / 25,5	115

Part no.	PTC	Overload cut-out	Capacitor	A h.	B d.	C w.	Notes	Picture	Replaced by
	[id. mark] [no.]	[id. mark] [no.]	[µF] / [no.]	[mm]	[mm]	[mm]			
2260049123	AM90-BM90 50223639001	MRA38043 2263001170	3 / 2260419011	176	162	240	round casing, flat brackets "resting" compressor	ZEM 5	
2260050121			3	176	162	240	round casing, flat brackets "resting" compressor	ZEM 6	
2260009267	AM90-BM90 50223639001	MRA38043 2263001170	3 / 2260401258	170	162	240,5	traditional compressor	ZEM 1	
2260020041	-	-	3	170	162	240,5	round casing compressor	ZEM 3	2260009267
2260032046	-	-	3	170	162	240,5	round casing and flat brackets compressor	ZEM 4	2260009267
2260032673	power only with control board G33U						round casing and flat brackets compressor	ZEM 4	
2260032665							round casing and flat brackets compressor	ZEM 4	
2260049115	AM90-BM90 50223639001	T0366/05 2263002327	-	176	162	240	round casing, flat brackets "resting" compressor	ZEM 5	
2260050113	junction box K 2260215013	AE 18 FU 6 2263019024	-	176	162	240	round casing, flat brackets "resting" compressor	ZEM 6	
2260032566			3				round casing and flat brackets compressor	ZEM 4	
2260049065				176	162	240	round casing, flat brackets "resting" compressor	ZEM 5	
2260049164	AM90-BM90 50223639001	T0619/05 2263002269	3 / 2260417015	176	162	240	round casing, flat brackets "resting" compressor	ZEM 5	
2260050063	junction box K 2260215013	T0462/05 2263002277	3 / 2260419011	176	162	240	round casing, flat brackets "resting" compressor	ZEM 6	
2260050162	junction box K 2260215013	T0619/05 2263002269	3 / 2260419011	176	162	240	round casing, flat brackets "resting" compressor	ZEM 6	
2260032335	AM90-BM90 50223639001	MRA38057 2263001295		170	162	240,5	round casing and flat brackets compressor	ZEM 4	
2260009291	AM90-BM90 50223639001	MSP501LZ 2263001188	3 / 2260401258	170	162	240,5	traditional compressor	ZEM 1	

COMPRESSORS FOR R600a SORTED BY RATED POWER

follows >

Part no.	Model	Brand	Gas	Voltage [V-Hz]	Displacement [cc]	Power [Hp]	Power absorption [W]	Run/start current [A]	Run/start windings resistance [Ohm]	Rated power [Kcal/h]
2260020025	HL 90 AH BT	ZEM	R600a	220/240-50	9,08	1/7	92	0,48 / 9,0	18,7 / 25,5	115
2260032020	HL 90 AH BT	ZEM	R600a	220/240-50	9,08	1/7	92	0,48 / 9,0	18,7 / 25,5	115
2260032442	HLY 80 AA BT	ZEM	R600a	220/240-50	8,1	1/7	90	0,45 / 8,6	22,0 / 22,5	115
2260035072	NBK 1112Y	ASPERA	R600a	220/240-50	8,8		94	0,46 / 4,8	14,2 / 26,2	115
2260035098	NBK 1112Y	ASPERA	R600a	220/240-50	8,8		94	0,46 / 4,8	14,2 / 26,2	115
2260035114	NBT 1112Y	ASPERA	R600a	220/240-50	8,8		94,8	0,43 / 4,5	15,5 / 24,5	116
2260046046	NBT 1112Y	ASPERA	R600a	220/240-50	8,8		94,8	0,43 / 4,5	15,5 / 24,5	116
2260009309	HL 99 AH	ZEM	R600a	220/240-50	9,93	1/6	100	0,5 / 9,9	16,2 / 22,2	120
2260020033	HL 99 AH BT	ZEM	R600a	220/240-50	9,93	1/6	100	0,5 / 9,9	16,2 / 22,2	120
2260032038	HL 99 AH BT	ZEM	R600a	220/240-50	9,93	1/6	100	0,5 / 9,9	16,2 / 22,2	120
2260025040	FGS 60 CA	EMBRACO	R600a	220/240-50	9,05		100	0,62 / 3,9	27 / 20,1	121
2260032657	HLM 90 AA	ZEM	R600a	220/240-50	9,08		108	0,82 / 9,3	15,6 / 21,3	124
2260049107	HQM 90 AA	ZEM	R600a	220/240-50	9,08		108	0,82 / 9,3	15,6 / 21,3	124
2260050105	HQM 90 AA	ZEM	R600a	220/240-50	9,08		108	0,82 / 9,3	15,6 / 21,3	124
2260032509	HLY 90 AA BT	ZEM	R600a	220/240-50	9,08	1/6	98	0,50 / 9,3	17,6 / 21,6	125
2260050089	HQY 90 AA	ZEM	R600a	220/240-50	9,08		98	0,71 / 9,3	17,6 / 21,6	125

Part no.	PTC	Overload cut-out	Capacitor	A h.	B d.	C w.	Notes	Picture	Replaced by
	[id. mark] [no.]	[id. mark] [no.]	[µF] / [no.]	[mm]	[mm]	[mm]			
2260020025	-	-	3	170	162	240,5	round casing compressor	ZEM 3	531017917851
2260032020	-	-	3	170	162	240,5	round casing and flat brackets compressor	ZEM 4	2260009291
2260032442	AM90-BM90 50223639001	MSP318LZ 2263001303		170	162	237,2	round casing and flat brackets compressor	ZEM 4	
2260035072	PTC 2260209016	MSP309 2263013027	4 / 2260415092	187	162	247	without hook for tray	ASPERA 1	2260032442
2260035098	PTC 2260209016	MSP309 2263013027	4 / 2260415092	187	162	247	with hook for tray	ASPERA 1	2260035114
2260035114				187	162	247	with hook for tray	ASPERA 1	
2260046046				187	162	247	with hook for tray	ASPERA 1	
2260009309	AM90-BM90 50223639001	MSP501LZ 2263001188	3 / 2260401258	186	162	240,5	traditional compressor	ZEM 1	
2260020033	-	-	3	186	162	240,5	round casing compressor	ZEM 3	531017917851
2260032038	-	-	3	186	162	240,5	round casing and flat brackets compressor	ZEM 4	2260009309
2260025040	BEA503 2263009025	MRA58155 2263008027	5 / 2260410028	201	173	203,8	with hook for tray	EMBRACO 1	2260035098
2260032657							round casing and flat brackets compressor	ZEM 4	
2260049107				176	162	240	round casing, flat brackets "resting" compressor	ZEM 5	
2260050105	junction box K 2260215013	T0062/05 2263002368	-	176	162	240	round casing, flat brackets "resting" compressor	ZEM 6	
2260032509	-	-		186	162	237,2	round casing and flat brackets compressor	ZEM 4	
2260050089	junction box K 2260215013	AE 37 FJ 2263019016	-	176	162	240	round casing, flat brackets "resting" compressor	ZEM 6	

COMPRESSORS FOR R600a SORTED BY RATED POWER

follows >

Part no.	Model	Brand	Gas	Voltage [V-Hz]	Displacement [cc]	Power [Hp]	Power absorption [W]	Run/start current [A]	Run/start windings resistance [Ohm]	Rated power [Kcal/h]
2260032814	HLT 90 AA	ZEM	R600a	220/240-50	9,08		91	0,45 / 9,4	18,3 / 16,5	127
2260050279	HQT 90 AA	ZEM	R600a	220/240-50	9,08		91	0,45 / 9,4	18,3 / 16,5	127
2260035122	NBK 1114Y	ASPERA	R600a	220/240-50	10		105,3	0,51 / 5,1	13,8 / 25,1	132
2260032582	HLV 99 AA	ZEM	R600a	220/240-50	9,93		108	0,80 / 11,4	14,2 / 18,3	136
2260046087	NBT 1114Y	ASPERA	R600a	220/240-50	10		109,9	0,49 / 5,1	15,7 / 23,8	136
2260049214	HQY 99 AA	ZEM	R600a	220/240-50	9,93		108	0,80 / 11,4	14,2 / 18,3	136
2260049172	HQM 11 AA	ZEM	R600a	220/240-50	10,7		127	1,02 / 11,3	13,4 / 22,9	145
2260050170	HQM 11 AA	ZEM	R600a	220/240-50	10,7		127	1,02 / 11,3	13,4 / 22,9	145
2260049149	HQY 11 AA	ZEM	R600a	220/240-50	10,7		112	0,60 / 11,7	14,2 / 18,3	146
2260050147	HQY 11 AA	ZEM	R600a	220/240-50	10,7		112	0,60 / 11,7	14,2 / 18,3	146
2260020199	HP 12 AH	UNIDAD H.	R600a	220/240-50	12,06	1/5	130	0,64 / 10,7	13,7 / 19,7	150
2260025016	FGS 70 CA	EMBRACO	R600a	220/240-50	11,15		124	0,81 / 5,3	20,6 / 16,8	151
2260026014	FGS 70 CA	EMBRACO	R600a	220/240-50	11,15		124	0,81 / 5,3	20,6 / 16,8	151
2260032426	HPT 12 AH BT	ZEM	R600a	220/240-50	12,1		119	0,54 / 8,0	17,8 / 27,0	154
2260032350	HPT 16 RSC BT	ZEM	R600a	200/240-50	16,14		108	0,89 / 0,68		161
2260049263	HQM 12 AA	ZEM	R600a	220/240-50	12,09		139	1,09 / 12	11,7 / 18,8	161

Part no.	PTC	Overload cut-out	Capacitor	A h.	B d.	C w.	Notes	Picture	Replaced by
	[id. mark] [no.]	[id. mark] [no.]	[μ F] / [no.]	[mm]	[mm]	[mm]			
2260032814							round casing and flat brackets compressor	ZEM 4	
2260050279	junction box K 2260215013	AE 24 AH 2263019099	4 / 2260419045	176	162	240	round casing, flat brackets "resting" compressor	ZEM 6	
2260035122				187	162	247	with hook for tray	ASPERA 1	
2260032582							round casing and flat brackets compressor	ZEM 4	
2260046087				187	162	247	with hook for tray	ASPERA 1	
2260049214				176	162	240	round casing, flat brackets "resting" compressor	ZEM 5	
2260049172	AM90-BM90 50223639001	T0502/05 2263002392	-	176	162	240	round casing, flat brackets "resting" compressor	ZEM 5	
2260050170				176	162	240	round casing, flat brackets "resting" compressor	ZEM 6	
2260049149	AM90-BM90 50223639001	MRA38057 2263001295		186	162	240	round casing, flat brackets "resting" compressor	ZEM 5	
2260050147	junction box K 2260215013	AE 18 FU 6 2263019024	4 / 2260419045	186	162	240	round casing, flat brackets "resting" compressor	ZEM 6	
2260020199	-	-	4	198	162	238	round casing compressor	UNIDAD 2	2260032194
2260025016	BEA503 2263009025	MRA58154 2263008019	5 / 2260410028	195	173	203,8	with hook for tray	EMBRACO 1	2260032426
2260026014	BEA503 2263009025	MRA58154 2263008019	5 / 2260410028	201	156	200	with hook for tray	EMBRACO 1	2260032426
2260032426	-	-	4				round casing and flat brackets compressor	ZEM 4	
2260032350	power only with control board G33						round casing and flat brackets compressor	ZEM 4	
2260049263	AM90-BM90 50223639001	T0502/05 2263002392	-	176	162	240	round casing, flat brackets "resting" compressor	ZEM 5	

COMPRESSORS FOR R600a SORTED BY RATED POWER

follows >

Part no.	Model	Brand	Gas	Voltage [V-Hz]	Displacement [cc]	Power [Hp]	Power absorption [W]	Run/start current [A]	Run/start windings resistance [Ohm]	Rated power [Kcal/h]
2260050253	HQM 12 AA	ZEM	R600a	220/240-50	12,09		139	1,09 / 12	11,7 / 18,8	161
2260032632	HPY 12 AA	UNIDAD H.	R600a	220/240-50	12,1		127	0,86 / 10,9	14,1 / 18,6	165
2260032855	HPY 12 AA	UNIDAD H.	R600a	220/240-50	12,1		127	0,86 / 10,9	14,1 / 18,6	165
2260035015	NBK 1116Y	ASPERA	R600a	220/240-50	12,3		128,8	0,58 / 6,3	12,3 / 22,3	165
2260046012	NBK 1116Y	ASPERA	R600a	220/240-50	12,3		128,8	0,58 / 6,3	12,3 / 22,3	165
2260051020	HYK 12 AA	VERDICHTER	R600a	220/240-50	11,14		121	0,86 / 12,4	12,6 / 17,7	170
2260051038	HTK 12 AA	VERDICHTER	R600a	220/240-50	11,14		111	0,55 / 12,7	14,6 / 14	170
2260020207	HP 14 AH BT	UNIDAD H.	R600a	220/240-50	14,17	1/5	147	0,72 / 11,2	11,6 / 19,0	172
2260032202	HP 14 AH BT	UNIDAD H.	R600a	220/240-50	14,17	1/5	147	0,72 / 11,2	11,6 / 19,0	172
2260035106	NBT 1116Y	ASPERA	R600a	220/240-50	12,3		134,4	0,60 / 5,3	13,2 / 17,6	174
2260046038	NBT 1116Y	ASPERA	R600a	220/240-50	12,3		134,4	0,60 / 5,3	13,2 / 17,6	174
2260032533	HPT 14 AH	UNIDAD H.	R600a	220/240-50	14,31		137	0,71 / 9,9	14,1 / 20,4	180
2260035056	NBK 1118Y	ASPERA	R600a	220/240-50	14,3		144,3	0,72 / 6,3	10,8 / 22,9	189
2260046020	NBK 1118Y	ASPERA	R600a	220/240-50	14,3		144,3	0,72 / 6,3	10,8 / 22,9	189
2260032590	HPY 14 AA	UNIDAD H.	R600a	220/240-50	14,31		147	0,98 / 11,5	12,7 / 17,1	190
2260032210	HP 16 AH	UNIDAD H.	R600a	220/240-50	16,14	1/4	160	0,79 / 12,6	9,6 / 17,1	191

Part no.	PTC	Overload cut-out	Capacitor	A h.	B d.	C w.	Notes	Picture	Replaced by
	[id. mark] [no.]	[id. mark] [no.]	[μ F] / [no.]	[mm]	[mm]	[mm]			
2260050253				176	162	240	round casing, flat brackets "resting" compressor	ZEM 6	
2260032632							round casing and flat brackets compressor	UNIDAD 3	
2260032855							round casing and flat brackets compressor	UNIDAD 3	2260032632
2260035015				200	162	247	with hook for tray	ASPERA 1	2260046012
2260046012				200	162	247	with hook for tray	ASPERA 1	2260046038
2260051020			4	166	161	240	flat brackets "resting" compressor	VERDICHTER 3	
2260051038	junction box K 2260215013	T0762/05 2263002434	5 / 2260419060	166	161	240	flat brackets "resting" compressor	VERDICHTER 3	
2260020207	AM90-BM90 50223639001	MSP327LZ 2263001246	4 / 2260405028	198	162	238	round casing compressor	UNIDAD 2	
2260032202	-	-		198	162	238	round casing and flat brackets compressor	UNIDAD 3	
2260035106				200	162	247	with hook for tray	ASPERA 1	2260046038
2260046038				200	162	247	with hook for tray	ASPERA 1	
2260032533							round casing and flat brackets compressor	UNIDAD 3	
2260035056				200	162	247	with hook for tray	ASPERA 1	2260046020
2260046020				200	162	247	with hook for tray	ASPERA 1	2260046053
2260032590							round casing and flat brackets compressor	ZEM 4	
2260032210	-	-		198	162	238	round casing and flat brackets compressor	UNIDAD 3	

COMPRESSORS FOR R600a SORTED BY RATED POWER

follows >

Part no.	Model	Brand	Gas	Voltage [V-Hz]	Displacement [cc]	Power [Hp]	Power absorption [W]	Run/start current [A]	Run/start windings resistance [Ohm]	Rated power [Kcal/h]
2260035130	NBT 1118Y	ASPERA	R600a	220/240-50	14,3		156	0,71 / 6,9	11,0 / 16,4	197
2260046053	NBT 1118Y	ASPERA	R600a	220/240-50	14,3		156	0,71 / 6,9	11,0 / 16,4	197
2260032699	HPY 16 AA	UNIDAD H.	R600a	220/240-50	16,14		159	1,06 / 13,3	10,3 / 16	208
2260020272	HL 50 AH BT	ZEM	R600a							
2260024019	TLE S4K	DANFOSS	R600a	220/240-50		1/12	57	0,54 / 2,9	19,1 / 21,1	
2260032277	HL 50 AH	ZEM	R600a	200/240-50						
2260032830	HLT 80 AJ	ZEM	R600a	220/240-50						
2260043027	EMU 26 CLC	ASPERA	R600a	220/240-50						
2260043043	EMU 40 CLC	ASPERA	R600a	220/240-50						
2260046095	NBU 1116Y	ASPERA	R600a							
2260046103	NBU 1118Y	ASPERA	R600a							
2260046145	NBU 1112Y	ASPERA	R600a							

Part no.	PTC	Overload cut-out	Capacitor	A h.	B d.	C w.	Notes	Picture	Replaced by
	[id. mark] [no.]	[id. mark] [no.]	[μ F] / [no.]	[mm]	[mm]	[mm]			
2260035130	PTC 2260209016	2390265201	4 / 2260416116	200	162	247	with hook for tray	ASPERA 1	2260046053
2260046053	PTC 2260209016	2390265201	4 / 2260416116	200	162	247	with hook for tray	ASPERA 1	
2260032699							round casing and flat brackets compressor	UNIDAD 3	
2260020272	-	-					round casing compressor	ZEM 3	50240800008
2260024019	2260207010	inside the casing						DANFOSS 1	
2260032277							round casing and flat brackets compressor	ZEM 4	
2260032830							round casing and flat brackets compressor	ZEM 4	
2260043027								ASPERA 2	
2260043043								ASPERA 2	
2260046095								ASPERA 1	
2260046103								ASPERA 1	
2260046145								ASPERA 1	