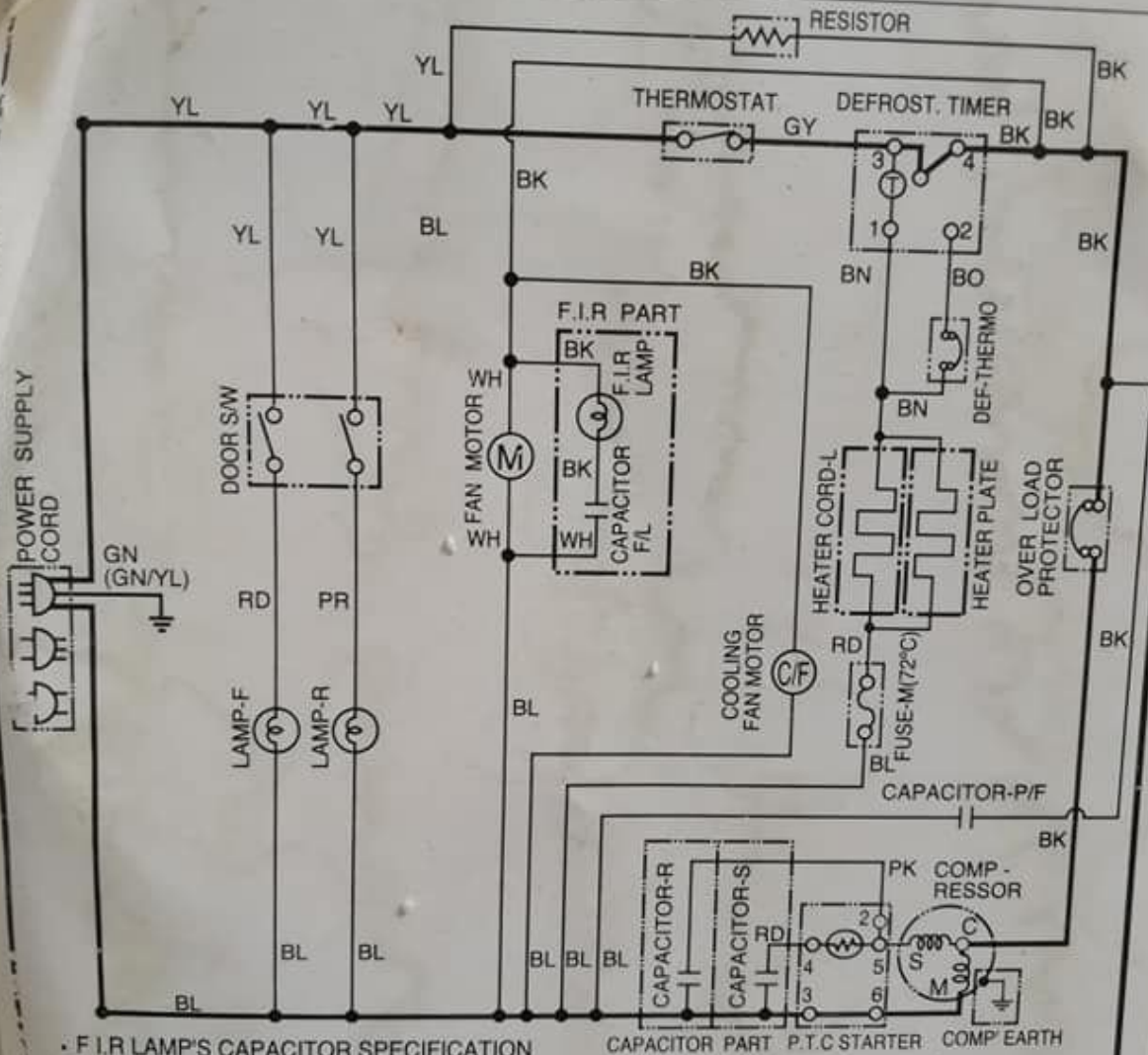


	MA53LAAH 100/50,60	142	177	108	121	1.32	1.46		CSR
	MA57LAAH 100/50,60	158	194	116	130	1.36	1.49		CSR
	MA62LCAH 100/50,60	183	220	125	142	1.46	1.55		CSR
	MA53LACH 115/60		180		116		1.55	UL	RSCR
	MA53LBCG 115/60		174		128		1.36	UL	RSIR
	MA53LBCM 115/60		174		121		1.44	UL	RSCR
	MA53LCCM 115/60		180		116		1.55	UL	RSCR
	MA57LACM 115/60		199		128		1.55	UL	RSCR
	MA62LACM 115/60		216		139		1.55	UL	RSCR
	MA53LAUG 115-127/60		174		135		1.29	UL	RSIR
	MA57LAFF 127/60		191		152		1.26	SASO	CSIR
	MA53LABM 220/50,60	142	179	113	125	1.26	1.44	SASO	RSCR
	MA57LABM 220/50,60	165	206	115	133	1.44	1.55	SASO	RSCR
	MA53LADG 220/60		177		134		1.32		RSIR
MA	MA53LAEG 220-240/50	142		106		1.34		CCC/ VDE	RSIR
	MA53LAEM 220-240/50	142		99		1.44		CCC/ VDE	RSCR
	MA57LAEG 220-240/50	160		119		1.35		CCC/ VDE	RSIR
	MA57LAEM 220-240/50	160		110		1.46		CCC/ VDE	RSCR
	MA62LCEG 220-240/50	175		127		1.38		CCC/ VDE	RSIR
	MA62LCEM 220-240/50	174		119.1		1.46		CCC/ VDE	RSCR
	MA69LCEM 220-240/50	200		136		1.46		VDE	RSCR
	MA98LAEM 220-240/50	279		183		1.52			RSCR
	MA30LACM 115/60		102		77		1.32	UL	RSCR
	MA36LACM 115/60		122		92		1.33	UL	RSCR
	MA36LAAM 115/60		97		73		1.32		RSCR
	MA43LACM 115/60		146		109		1.35	UL	RSCR
	MA53LACM 115/60		180		131		1.38	UL	RSCR
	MA30LAEM 220-240/50	85		65		1.3		CCC/ VDE	RSCR
MSA	MA36LAEM 220-240/50	102		77		1.32		CCC/ VDE	RSCR
	MA43LBEG 220-240/50	116		106		1.1		CCC/ VDE	RSIR
	MA53LBEG 220-240/50	140		130		1.07		CCC/ VDE	RSIR
	MA58LAEM 220-240/50	164		122		1.35		CCC/ VDE	RSCR

CIRCUIT DIAGRAM



F.I.R LAMP'S CAPACITOR SPECIFICATION

		100V - 127V	220V - 240V
F.I.R CAPACITOR	50Hz	X	50Hz 300VAC, 0.33uF
	60Hz		60Hz 300VAC, 0.27uF

P.T.C STARTER OPTION



- F.I.R PART CAN BE APPLIED BY THE REQUEST OF BUYERS.
- THE PLUG TYPE, CAPACITORS, COMP' EARTH PART, P.T.C STARTER PART AND CAPACITOR-P/F ARE SUBJECT TO CHANGE IN DIFFERENT LOCALITIES.
- IF THERE IS NO CAPACITOR-S, CIRCUIT BETWEEN TERMINAL 3 AND 4 OF P.T.C STARTER PART WILL BE SHORT INTERNALLY

WH : WHITE BL : BLUE RD : RED PK : PINK
 BK : BLACK BN : BROWN PR : PURPLE YL : YELLOW
 BO : BRIGHT ORANGE GY : GRAY GN : GREEN

3854JD1084F



REFRIGERATOR-FREEZER
MODEL No.: GR-B602Q

CLASS	Tropical
RATING	220V ~ 50/60Hz
RATED CURRENT	0.6A
DEFROSTING INPUT	230W
RATED INPUT OF HEATER CORD	165W
RATED MAX INPUT OF LAMP	
REFRIGERATOR	30W
FREEZER	15W
REFRIGERANT	R134a 135g
INSULATION BLOWING GAS	Cyclopentane
DIMENSIONS	755(W) × 729(D) × 1777(H) mm

SERIAL No.: **Refer to bar code label.**

MADE IN KOREA

3850JZ2160E



Private Picture Copyright : WWW.MBSM.PRO



MA57LABM

R134a

1PH 220V ~ 50/60Hz

RoHS

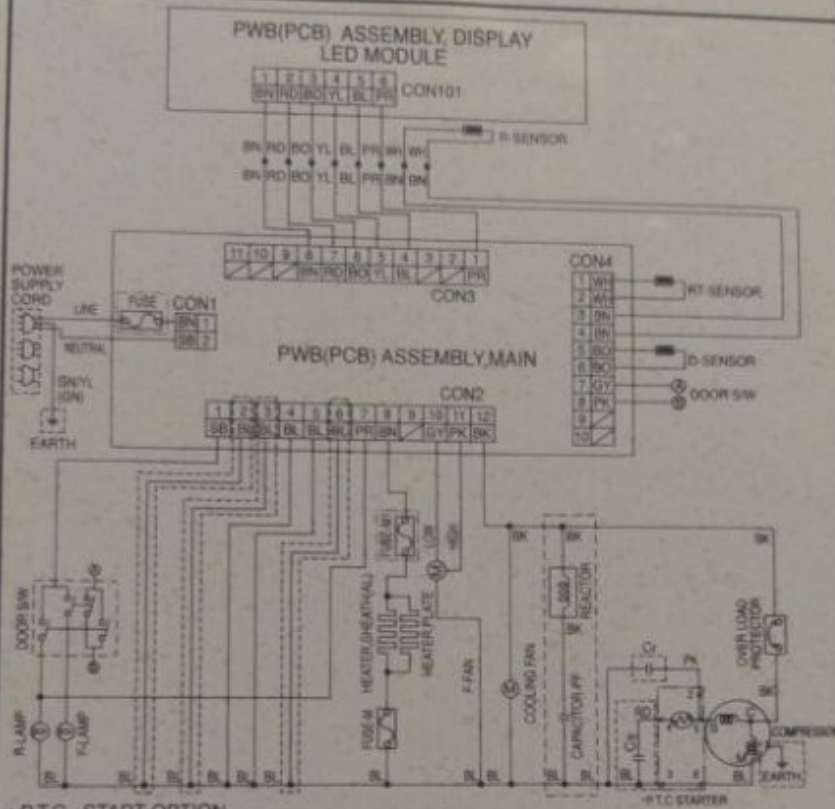
THERMALLY PROTECTED

LG Electronics Inc. MADE IN KOREA



Private Picture Copyright : WWW.MBSM.PRO

CIRCUIT DIAGRAM



• P.T.C START OPTION



MEZ37380802

- THE PLUG TYPE, Cr, Cs, COMPRESSOR, COMPRESSOR EARTH PART, REACTOR, CAPACITOR-PF, FUSE, FUSE-M1 ON CIRCUIT DIAGRAM ARE SUBJECTED TO CHANGE IN DIFFERENT LOCALITIES AND ACCORDANCE WITH MODEL TYPE
- WHEN STARTING CAPACITOR IS NOT USED, NO3(2),4(1) OF PTC STARTER ARE CONNECTED INTERNALLY

BK:BLACK BN:BROWN RD:RED BO:BRIGHT ORANGE YL:YELLOW GN:GREEN
 BL:BLUE PR:PURPLE GY:GRAY SB:SKY BLUE WH:WHITE PK:PINK



Private Picture Copyright : WWW.MBSM.PRO