

**Mbsm.pro, PDF, GL80AF , ZEM,
EGL80AF, Compressors , GD40AF
1/9 , GL45AF 1/8 , GL60AF,
GL70AF , GL70ANa 1/5
, GL70AND, GL80AF 1/5**

written by Lilianne | 12 January 2021



Private Picture Copyright : WWW.MBSM.PRO

Mbsm_dot_pro_private_PDF_GLy80aaTélécharger

Mbsm_dot_pro_private_PDF_GLy80aa-compresseur-acc-cubigellTélécharger

Mbsm_dot_pro_private_PDF_GLy80aa-1Télécharger

GD36AD	3.62	1/12	LBP	S	115V 60Hz ~1	RSIR	P	C	30	47	68	0.65	150	80	0.85	6.1	Dj
GD36AFa	3.62	1/12	LBP	S	200-220/230V 50/60Hz ~1	RSIR	P	C	30	47	68	0.65	150	80	0.86	5.9	Dj
GD36AFb	3.62	1/12	LBP	S	200-220/230V 50/60Hz ~1	CSIR	R	C-V	30	47	68	0.65	150	80	0.86	5.9	Ds
GD40AF	4.06	1/10	LBP	S	200-220/220-230V 50/60Hz ~1	RSIR	P	C	36	54	77	0.70	172	91	0.91	6.8	Dd
GLY40ADa	4.02	1/9	LBP	S	115V 60Hz ~1	RSIR	P	C	46	65	91	0.97	208	107	1.26	9.0	Lb
GLY40ADb	4.02	1/9	LBP	S	115V 60Hz ~1	RSCR	P	C	46	65	91	1.02	208	107	1.32	9.0	Lb
GL45ADa	4.56	1/8	LBP	S	115V 60Hz ~1	RSIR	P	C	41	65	95	0.80	215	112	1.05	8.1	Lb
GL45ADb	4.56	1/8	LBP	S	115V 60Hz ~1	CSIR	R	C-V	41	65	95	0.80	215	112	1.05	8.1	Lb
GL45AF	4.56	1/8	LBP	S	200-220/220-230V 50/60Hz ~1	RSIR	P	C	42	65	94	0.76	215	111	0.99	9.0	Lb
GL45ANa	4.56	1/8	LBP	S	200-240/220-230V 50/60Hz ~1	RSIR	P	C	44	65	93	0.83	213	110	1.09	9.0	Lb
GLY50ADa	5.12	1/7	LBP	S	115V 60Hz ~1	RSIR	P	C	56	83	117	1.02	259	138	1.33	9.5	Lc
GLY50ADb	5.12	1/7	LBP	S	115V 60Hz ~1	RSCR	P	C	56	83	117	1.06	259	138	1.38	9.5	Lc
GL60ADa	5.46	1/6	LBP	S	115V 60Hz ~1	RSIR	P	C	65	95	132	0.85	290	155	1.10	9.1	Lb
GL60ADb	5.46	1/6	LBP	S	115V 60Hz ~1	CSIR	R	C-V	65	95	132	0.85	290	155	1.10	9.1	Lb
GL60AF	5.46	1/6	LBP	S	200-220/220-230V 50/60Hz ~1	RSIR	P	C	66	95	131	0.81	287	154	1.05	9.1	Lb
GL60ANa	5.46	1/6	LBP	S	200-240/220-230V 50/60Hz ~1	RSIR	P	C	68	95	131	0.88	285	153	1.15	9.9	Lc
GL60ANb	5.46	1/6	LBP	F	200-240/220-230V 50/60Hz ~1	CSIR	R	C-V	68	95	131	0.88	285	153	1.15	9.9	Lc
GL60ANc	5.46	1/6	LBP	S	200-240/220-230V 50/60Hz ~1	CSIR	R	C-V	68	95	131	0.88	285	153	1.15	9.9	Lc
GL60ANd	5.46	1/6	LBP	OC	200-240/220-230V 50/60Hz ~1	RSIR	P	C	68	95	131	0.88	285	153	1.15	10.0	Lc
GL60BK	5.46	1/6	LBP	OC	115V 60Hz ~1	RSCR	P	C	66	95	132	0.84	290	155	1.10	10.0	Lc
GL70ADa	5.98	1/5	LBP	S	115V 60Hz ~1	RSIR	P	C	79	109	148	0.86	322	173	1.12	9.6	Lb
GL70ADb	5.98	1/5	LBP	S	115V 60Hz ~1	CSIR	R	C-V	79	109	148	0.86	322	173	1.12	9.6	Lb
GL70ANa	5.98	1/5	LBP	S	200-220/220-230V 50/60Hz ~1	RSIR	P	C	81	111	150	0.90	323	175	1.17	10.1	Lc
GL70ANb	5.98	1/5	LBP	F	200-220/220-230V 50/60Hz ~1	CSIR	R	C-V	81	111	150	0.90	323	175	1.17	10.1	Lc
GL70ANc	5.98	1/5	LBP	S	200-220/220-230V 50/60Hz ~1	CSIR	R	C-V	81	111	150	0.90	323	175	1.17	10.1	Lc
GL70ANd	5.98	1/5	LBP	OC	200-220/220-230V 50/60Hz ~1	RSIR	P	C	80	110	150	0.90	323	175	1.17	10.4	Ld

Private Picture Copyright : WWW.MBSM.PRO

Mbsm.pro, PDF, QB77C16GPX5 , Compressors, 1/4 hp , Q Series, Panasonic

written by Lilianne | 12 January 2021

Panasonic



QB77C16GPX5

220V~50Hz
Thermally Protected
Panasonic Corporation
Made in Malaysia

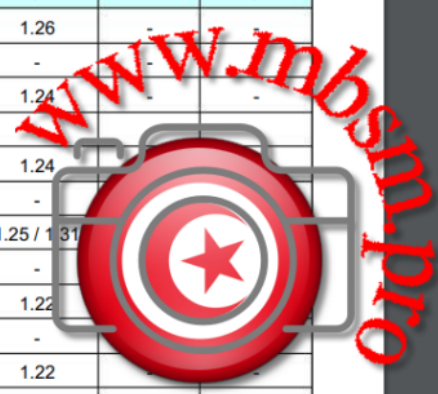
W



Refrigerant : R134a (CF₃CH₂F)

Evaporator Temperature Range : -35°C to -5°C

Series	Model	Displacement (cm ³)	Voltage / Frequency	Motor Type	ASHRAE		CECOMAF	
					Capacity	COP	Capacity	COP
					W	W/W	W	W/W
	QB77C16GAX5	7.7	220V 50Hz	RSIR	202	1.26	-	-
				RSCR	-	-	-	-
	QB77C16GLX5	7.7	220V 50Hz	RSIR	202	1.24	-	-
				RSCR	-	-	-	-
	QB77C16GPX5	7.7	220V 50Hz	RSIR	202	1.24	-	-
				RSCR	-	-	-	-
	QB77C18GAX0	7.7	220V 50/60Hz	RSIR	202 / 224	1.25 / 1.31	-	-
				RSCR	-	-	-	-
	QB77C18GAX6	7.7	220V 60Hz	RSIR	224	1.22	-	-
				RSCR	-	-	-	-
	QB77C19GPX6	7.7	220V 60Hz	RSIR	224	1.22	-	-
				RSCR	-	-	-	-
	QB86C13GAW5	8.6	220/240V 50Hz	RSIR	222 / 222	1.27 / 1.25	-	-
				RSCR	-	-	-	-



Private Picture Copyright: WWW.MBSM.PRO

Mbsm_dot_pro_private_PDF_Qb77c16glx5Télécharger

شركة الدلتا الصناعية - القاهرة

صنع بمصر

THE DELTA INDUSTRIAL Co.
MADE IN EGYPT

١٢ قدم

MODEL: KS 328 ZL SOFT : نموذج
220/50 : فولت / ذ
1.4 : أمبير
145 : فريون
224 : وات
328 : لتر
E.S. 320 / 2005 : رقم المواصفة
40 : كجم
IPX1 : درجة الحماية

ثلاجة بفريرز إيديا
الحجم الصافي للتلاجة ٢٠٧ لتر
الحجم الصافي للفريرز ٦٣ لتر
رمز الجو S.T.
سعة التجميد
سنة الصنع 10
رقم مسلسل

024348





Private Picture Copyright : WWW.MBSM.PRO

Panasonic



QB77C16GPX5

220V~50Hz
Thermally Protected
Panasonic Corporation
Made in Malaysia

W



Mbsm.pro, PDF, Compressor Ermetic R134a H/MBP, Cubigel, GLy60aa

written by Lilianne | 12 January 2021


COMPRESSORS

GLY60AA

THERMALLY
PROTECTED

220-240V~50Hz

PH1

R134a



CE



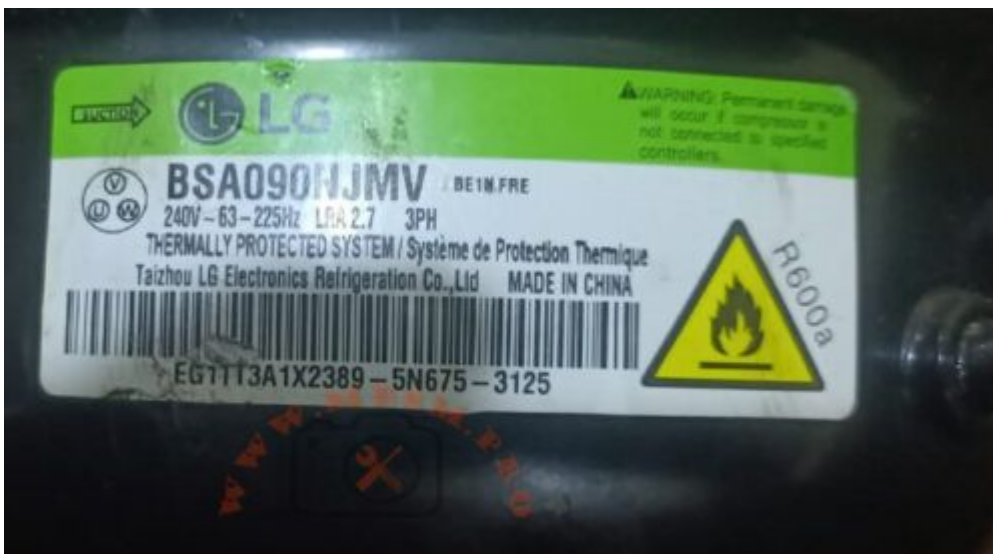
2

07272

7672764580304819

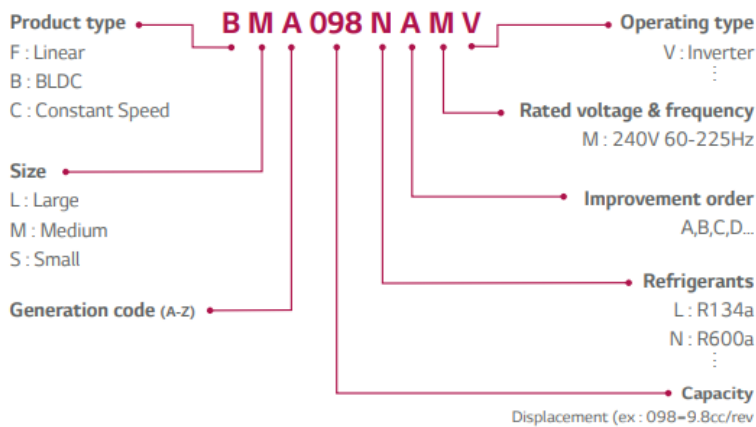
Mbsm.pro, PDF, compressor inverter Lg , bsa090njmv

written by Lilianne | 12 January 2021



Private Picture Copyright : WWW.MBSM.PRO

Nomenclature



Private Picture Copyright : WWW.MBSM.PRO

ENIEM Refrigerateur, no-frost, Made in Algeria, 540L, 220v-240v/50hz, Inverter, Compressor , Technology , Refrigerator LG, bsa090njmv, Inverter, Small Compressor, 9.8 cc , r600a, 60G, Block dc control inverter

written by Lilianne | 12 January 2021

ENIEM Refrigerateur, Made in Algeria, 540L, 220v-240v/50hz, Inverter, Compressor , Technology , Refrigerator LG, bsa090njmv, Inverter, Small Compressor, 9.8 cc , r600a, Block dc control inverter



Private Picture Copyright : WWW.MBSM.PRO





ENIEM

م و ص ك م



MADE IN ALGERIA

صنع في الجزائر

Réfrigérateur No-Frost

Volume total brut

0

0

F

N°5

ALGERIE

108

TN2000

540 L

220V-240V/50Hz

1.09 Kwh/24h

ثلاجة بدون جنيد

الحجم الإجمالي

الكامية

استهلاك الطاقة

متع التبريد

الرقم التسلسلي

ALGERIE

ش. ذ ا م و ص ك م، المنطقة الصناعية عيسى بن عبد الله، الجزائر 108

TM



Private Picture Copyright: WWW.MBSM.PRO

Mbsm_dot_pro_private_PDF_bsa090njmv -
Inverter_Compressor_Technology_for_RefrigeratorReciprocatingTé
lécharger

Mbsm.pro, PDF, Compresseur hermétique Embraco EMX55CLC

written by Lilianne | 12 January 2021



Private Picture Copyright : WWW.MBSM.PRO

Private Picture Copyright : WWW.MBSM.PRO

Mbsm_dot_pro_private_PDF_Catalogue_EmbracoTélécharger
Mbsm_dot_pro_private_PDF_EMX55CLC-datasheetTélécharger

Compresseur hermétique Embraco EMX55CLC, LBP, R600a, 1 / 6Hp, RSCR, Volume balayé : 9,04 cm³

written by Lilianne | 12 January 2021

Marque:	EMBRACO
UPC:	3070381
Référence constructeur:	EMX55CLC
Application:	LBP
Source de courant:	220 / 240V 50Hz
Capacité de refroidissement:	154 W
Puissance:	1/6 HP
Déplacement:	9,04 cm ³
Réfrigérant:	R600a
Poids:	7,85 kg
Type de moteur:	RSCR
Type:	Compresseur à piston hermétique

Compresseur hermétique Embraco EMX55CLC – LBP – R600a
220-240/1/50 – RSCR Volume balayé : 9,04 cm³

Caractéristiques techniques

- Marque : EMBRACO ASPERA
- Modèle : EMX55CLC
- CYLINDRÉE (CM³) 9,04
- FLUIDER-600a

- APPLICATIONLBP
- PLAGÉ D'APPLICATION-35/-10
- PUISSANCE (W)130
- PUISSANCE FRIGORIFIQUE (TK+40°C) -10/306 -20/192 -30/112 -35/82
- TENSION (V)240/1/50
- DÉMARRAGERSCR
- I.MAX (A)0,55
- Ø ASPIRATION6,1
- Ø REFOULEMENT4,94



Mbsm_dot_pro_private_PDF_Catalogue_EmbracoTélécharger
Mbsm_dot_pro_private_PDF_EMX55CLC-datasheetTélécharger

Mbsm.pro, pdf, TLS5FT, Tropical Compressor, R134a, 220-240V 50Hz

written by Lilianne | 12 January 2021



Mbsm_dot_pro_private_PDF_TLS5FTTélécharger

mbsm.pro, PDF, All hermetic compressor catalogue

written by Lilianne | 12 January 2021



Mbsm_dot_pro_private_PDF_all-Compresseur-hermetique-

pdf1-1Télécharger

Mbsm_dot_pro_private_PDF_all-Compresseur-hermetique-pdf1Télécharger

**Compressor, ASPERA, b3118b ,
1/4 hp , 240V~50hZ,
Frigidaire 2 portes, Philips,
180W, Class T, 422L (460L
Total), compressor b3118b,
220g , R134a**

written by Lilianne | 12 January 2021

Compressor, ASPERA, b3118b , 1/4 hp , 240V~50hZ, Frigidaire 2 portes, Philips, 180W, Class T, 422L (460L Total), compressor b3118b, 220g , R134a



Mbsm_dot_pro_private_PDF_all-Compresseur-hermetique-pdf1Télécharger

Mbsm_dot_pro_private_PDF_all-Compresseur-hermetique-pdf1-1Télécharger