

Mbsm.pro, Compressor, jaxipera Compressor, ZBH1122CY, 1/4++ hp, 1/3 hp

written by Lilianne | 2 September 2022



Mbsm.pro, Compressor, jaxipera Compressor, ZBH1122CY, 1/4++
hp, 1/3 hp

Mbsm.pro, air conditioner,

**Condor, CsHR09-gcm1t1(0),
9000 btu, 4.5 A, r22, 750 G,
T1**

written by Lilianne | 2 September 2022

Mbsm,pro, air conditioner, Condor, CsHR09-gcm1t1(0), 9000 btu,
4.5 A, r22, 750 G, T1

**Mbsm.pro, ice maker, ZBP-60,
16 kg, Generalco, 400 w,
r134a, 170g, 2.6 a**

written by Lilianne | 2 September 2022

Mbsm.pro, ice maker, ZBP-60, 16 kg, Generalco, 400 w, r134a,
170g, 2.6 a

**Mbsm.pro, LG, SPLITROOM,
AIR CONDITIONER, BMPU19K,
19000 btu, r410, 1400 g**

written by Lilianne | 2 September 2022



S/No. : 902HADB90450
 9B1S01J22XELA902HADB90450



SPLIT ROOM AIR CONDITIONER
MODEL BMPU19K

FREQUENCY		50 Hz 1Φ
VOLTAGE		220-240 V~
COOLING	CAPACITY	18,000 Btu/h 5,270 W
	INPUT	1,490 W
	CURRENT	6.7 A
	EER	12.08 (Btu/h)/W
HEATING	CAPACITY	20,500 Btu/h 6,010 W
	INPUT	1,665 W
	CURRENT	7.5 A
	COP	3.61 W/W
MAX		
CAPACITY	COOLING	23,500 Btu/h
	HEATING	23,800 Btu/h
INPUT	COOLING	2,800 W
	HEATING	2,800 W
REFRIGERANT		R410A 1.40 kg
CLIMATE CLASS		T3
Max. Pressure		High 4.4 MPa Low 2.4 MPa

S4UW18K23U4.AT6GIRQ

SPLASH PROOF IPX4
(OUTDOOR UNIT ONLY) ⚠️
 رقم الصيانة في العراق
 LG Call Center **800 1111 0**

Made in Thailand

Private Picture Copyright : WWW.MBSM.PRO

Mbsm.pro, LG, SPLITROOM, AIR CONDITIONER, BMPU19K, 18000 btu

**Mbm.pro, Compressor,
UR8b180DTAeH, Samsung ,
R22,18000 btu, 8 A**

written by Lilianne | 2 September 2022



Private Picture Copyright : WWW.MBSM.PRO

Mbm.pro, Compressor, UR8b180DTAeH, Samsung , R22,18000 btu

**Mbsm.pro, Daewoo Compressor,
YX58LHP5, R134a, 200 w, 1/4
hp, 683 BTU, Lbp, 95 G,
Congélateur, CONDOR NOFROST,
375L**

written by Lilianne | 2 September 2022

	JX58LHK4	5.84	161	170	198	675	1.06	1.23	4.19	CSIR	ST/FC	8.2	230
	JX58LHP4	5.84	139	170	198	675	1.22	1.42	4.85	RSCR	ST/FC	8.2	230
	JX58LHP4-K	5.85	155	170	198	675	1.10	1.28	4.35	RSCR	ST/FC	8.2	230
	JX58LHS4	5.84	150	170	198	675	1.13	1.32	4.50	RSIR	ST/FC	8.2	230
YH	HPL15YH-4	5.12	122	135	157	536	1.11	1.29	4.39	RSCR	ST/OC/FC	8.9	290
	HPL17YH-4	5.55	131	148	172	587	1.13	1.31	4.48	RSCR	ST/OC/FC	8.9	290
	HPL19YH-4	5.84	137	170	198	675	1.24	1.44	4.92	RSCR	ST/OC/FC	9.5	290
	HDL21YH-4	6.72	156	189	220	750	1.21	1.41	4.81	CSR	ST/OC/FC	9.5	290
	HPL21YH-4	6.73	155	188	219	746	1.21	1.41	4.81	RSCR	ST/OC/FC	9.5	290
	HPL23YH-4	7.03	165	201	234	798	1.22	1.42	4.83	RSCR	ST/OC/FC	9.5	290
	HPL26YH-4	8.25	205	235	273	933	1.15	1.33	4.55	RSCR	ST/OC/FC	9.5	290
YX	YX46LHP4	4.62	104	125	145	496	1.20	1.40	4.77	RSCR	ST/OC/FC	8.8	290
	YX51LHP4	5.12	120	150	174	595	1.25	1.45	4.96	RSCR	ST/OC/FC	8.8	290
	YX51LHP4-K	5.12	128	144	168	572	1.12	1.31	4.46	RSCR	ST/OC/FC	8.8	290
	YX58LHP4	5.84	133	172	200	693	1.29	1.50	5.13	RSCR	ST/OC/FC	9.8	290
YG	HPL21YG-4	6.73	175	185	215	734	1.06	1.23	4.20	RSCR	ST/OC/FC	9.0	290
	HPL27YG-4A	8.69	232	250	291	992	1.08	1.25	4.28	RSCR	ST/OC/FC	9.5	290
	HPL30YG-4	9.92	247	283	329	1123	1.15	1.33	4.55	RSCR	ST/OC/FC	9.5	290

Private Picture Copyright : WWW.MBSM.PRO



Private Picture Copyright : WWW.MBSM.PRO





Réfrigérateur - Congélateur

Modèle H 430NC Classe T

Volume brut 375L

Volume utile compt denrées fraîche 242L

Volume utile compt basse température 90L

Voltage / Fréquence 220-240V - 50Hz

Puissance 0.8A

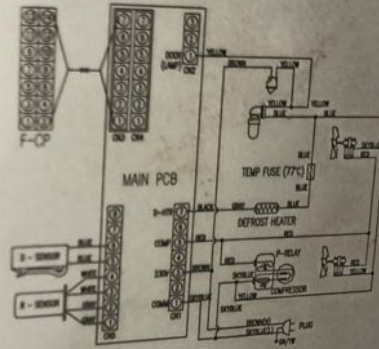
Puissance de dégivrage 180W

Puissance de lampe 25W*1

Réfrigérant R134a 95grs

N° de série

WIRING DIAGRAM



Note: 1. laissez au moins 5cm d'espace libre à l'arrière de l'appareil pour une bonne ventilation.
2. Après avoir débranché l'appareil, attendre 5 minutes avant de le rebrancher.

W341-S



Mbsm_dot_pro_private_PDF_YX58LHP5-R134aTélécharger

**Mbsm.pro, Hermetic
compressor, Aspera, Embraco,
NEK6212Z, R134a, 1/2 hp, HBP**

written by Lilianne | 2 September 2022



Mbsm.pro, Hermetic compressor, Aspera, Embraco, NEK6212Z,
R134a, 1/2 hp , HBP

**Mbsm.pro, R600a, Aruki
Compressors, Compressor,
QD65Y(N) (1/9HP) , QD75Y(J)
(1/8+HP), QD85Y(J) (1/7+HP),
QD91Y(J) (1/6HP), QD103Y(J)
(1/6+HP)**

written by Lilianne | 2 September 2022

WANSHENG®

QD103Y

220-240V~50Hz 1PH

QR Code

CB

DE

CCC

CE

CSM

Warning: Risk of fire

R600a

NO. 15592401

Hangzhou Qianjiang Refrigeration Group Co.,Ltd

Mbsm.pro, R600a, Aruki Compressors, Compressor, QD65Y(N)
(1/9HP) , QD75Y(J) (1/8+HP), QD85Y(J) (1/7+HP), QD91Y(J)
(1/6HP), QD103Y(J) (1/6+HP)

**Mbsm.pro, compressor,
MT160HW4D , 13 hp, MT160,
Displacement: 271.55cm³/rev**

written by Lilianne | 2 September 2022

*Mbsm.pro, Danfoss, Compressor, MT100HS4D, 8.3HP, R22, 380V,
3PH*



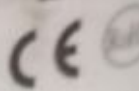
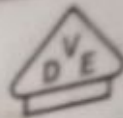
Mbsm.pro, Compressor, T3, 3.3 hp, 30000 btu, nht52vbat, 14 A, Mitsubishi Compressor, r22, 4.5 bar

written by Lilianne | 2 September 2022



SIAM COMPRESSOR INDUSTRY

MITSUBISHI ELECTRIC GROUP



REFRIGERANT COMPRESSOR

MODEL **NHT52VBAT**

MANUFACTURING DATE **18052012**

POWER SOURCE

220-240V 1~ 50Hz

POWER INPUT **2970 W** AT **50** Hz

LRA A

REFRIGERANT **86/94**

OIL **R-22**

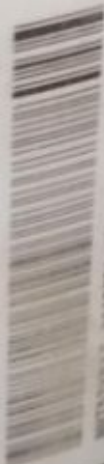
AP **1.30 L**

SP **2.74** MPa

10.5 MPa

THERMALLY PROTECTED

MADE IN THAILAND



NHT52VBAT-0112051-180512

Mbsm.pro, Compressor, T3, 3.3 hp, 30000 btu, nht52vbat, 14 A,
Mitsubishi Compressor