

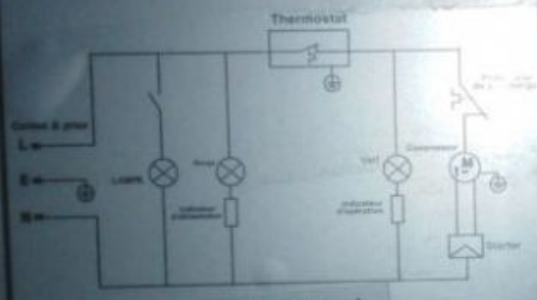
**Mbsm.pro, Congélateur GN-  
bd(w)-370, Gean Electronique,  
Made in Chine, T classe, 370  
L, Compressor, 1/4 Hp, R134A,  
105 G, 1.3 A, 220 V, Freezer  
horizontal, Filtre 20 G,  
Capilaire 0.036, 2 M,  
Thermostat mecanique**

written by Lilianne | 29 April 2022

**Géant**  
ELECTRONICS

Congélateur GN-BD(W)-370

Schéma électrique



بلد المنشأ: الصين

|                                 |            |
|---------------------------------|------------|
| CLIMAT DE TYPE:                 | T CLASSE   |
| CLASSIFICATION DE               |            |
| ELECTRICITE RESISTANTE:         | I          |
| VOLUME DE STOCKAGE:             | 370L       |
| VOLUME DU CONGELATEUR :         | 370L       |
| FROZEN CAPACITE:                | 12kg/24h   |
| TENSION NOMINALE :              | 220V~      |
| FREQUENCE NOMINALE :            | 50Hz       |
| COURANT :                       | 1.3A       |
| VALEUR DE BRUIT:                | 42dB (A)   |
| ALIMENTATION DE LAMPE NOMINALE: | 2W         |
| QUANTITE DE REFRIGERANT :       | R134a/105g |
| GAZ D'ISOLATION:                | CsHrs      |

CJ160337003172

Private Picture Copyright: [WWW.MBSM.PRO](http://WWW.MBSM.PRO)

Mbsm.pro, Congélateur GN-bd(w)-370, Gean Electronique, Made in Chine, T classe, 370 L, Compressor, 1/4 Hp, R134A, 105 G, 1.3 A, 220 V, Freezer horizontal, Filtre 20 G, Capilaire 0.036, 2 M, Thermostat mecanique

---

# Mbsm.pro, Compressor, Files, Pdf, Panasonic compressor, R134a, D-Series, Low Back Pressure

written by Jamila | 29 April 2022



Mbsm.pro, Compressor, Files, Pdf, Panasonic compressor, R134a, D-Series, Low Back Pressure

---

**Mbsm.pro, SWZ12, 000DK02D,  
2eDM02000, Intercold,  
Freezer, swz1/170, 222 w,  
230v, Compressor, 1/4 hp,  
R134a, 210 G, 290 L,  
Intercold horizontal freezers  
for frozen**

written by Lilianne | 29 April 2022



Private Picture Copyright: [WWW.MBSM.PRO](http://WWW.MBSM.PRO)

Mbsm.pro, SWZ12, 000DK02D, 2eDM02000, Intercold, Freezer,  
swz1/170, 222 w, 230v, Compressor, 1/4 hp, R134a, 210 G, 290  
L, Intercold horizontal freezers for frozen

---

# Mbsm.pro, compressor, TS33vdec, air conditioner, Mitsubishi Hermetic, Refrigeration, Rotary Compressor, Model Ts33vdec, 1 Hp, 10098 btu/h, 945 w, R410A

written by Lilianne | 29 April 2022



Private Picture Copyright : [WWW.MBSM.PRO](http://WWW.MBSM.PRO)

TS33vdec

---

# Mbsm.pro, Pdf, Is it useful

# to fill gas r22 in place of r410

written by Lilianne | 29 April 2022



Private Picture Copyright: [WWW.MBSM.PRO](http://WWW.MBSM.PRO)

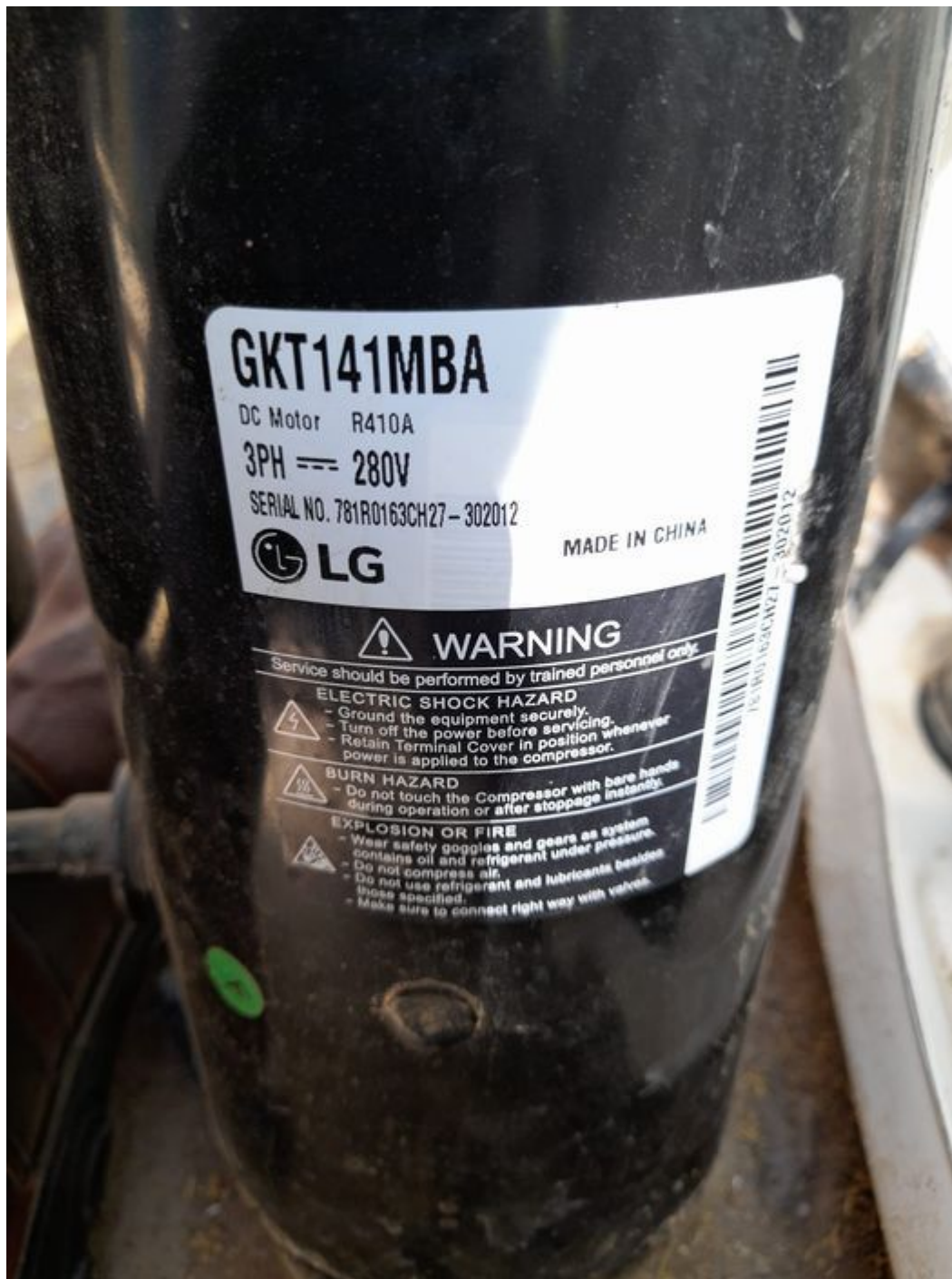
Mbsm.pro, Pdf, Is it useful to fill gas r22 in place of r410

---

**Mbsm.pro, GKT141MBA,  
Compressor , LG, inverter,**

# BDC, DC compressor, 3 PH, 2.5 HP, 18000 Btu/h, R410A

written by Lilianne | 29 April 2022



Private Picture Copyright: [WWW.MBSM.PRO](http://WWW.MBSM.PRO)

Mbsm.pro, GKT141MBA, Compressor , LG, inverter, BDC, DC compressor, 3 PH, 2.5 HP, 18000 Btu/h, R410A

---

**Mbsm.pro, air conditioner,  
HBM-18000c, Hyunday, 18000  
btu/h, 1.5 ton, 2 hp++,  
Cooling only, t1**

written by Lilianne | 29 April 2022



# HYUNDAI

**SPLIT TYPE AIR CONDITIONING  
INDOOR UNIT  
HBM-18000C**

- 2022 Model Design
- Self Clean System
- Tropical Compressor
- Made For Hot Air



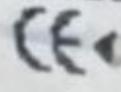
Mbsm.pro, air conditioner, HBM-18000c, Hyunday, 18000 btu/h,  
1.5 ton, 2 hp++, Cooling only, t1

---

**Mbsm.pro, Compressor,  
EG70HLR, Embraco,  
Refrigerator, 1/4 hp, Lbp,  
R134, Eg 70 Hlr**

written by Lilianne | 29 April 2022

Embraco EG 70HLR



HERMALLY PROTECTED

220-240V  
50Hz

13.3 LRA  
R 134a 1 PH



MADE IN BRAZIL



513700055 FAB 1 29-SEP-02 J03NB46P



Mbsm.pro, Compressor, EG70HLR, Embraco, Refrigerator, 1/4 hp,  
Lbp, R134, Eg 70 Hlr

---

**Mbsm.pro, Compressor Lg,  
26000 btu/h, QP442PBA, LG, AC  
Rotary Compressor, Rotary  
Scroll Compressor, 220-240V  
50HZ, 2 ton, 3 Hp++, 1 PH,  
Cappilary 070 Two pieces, 45  
cm long**

written by Lilianne | 29 April 2022

**QP442PBG** A31MRC

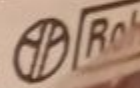
THERMALLY PROTECTED R22

1 PH 50 Hz 220-240V ~ LRA 75



SERIAL NO. 7DE02730-A-1TA23-A0126

LG Electronics Inc. MADE IN KOREA



## WARNING

Service should be performed by trained persons



### ELECTRIC SHOCK HAZARD

- Ground the equipment securely.
- Turn off the power before servicing.
- Retain Terminal Cover in position whenever power is applied to this compressor.



### BURN HAZARD

- Do not touch the Compressor with bare hands during operation or after stoppage instantly.



### EXPLOSION OR FIRE

- Wear safety goggles and gears as system contains oil and refrigerant under pressure.
- Do not compress air.
- Do not use refrigerant and lubricants besides those specified.
- Make sure to connect right way with valves.

Private Picture Copyright : [WWW.MBSM.PRO](http://WWW.MBSM.PRO)

Mbsm.pro, Compressor Lg, 26000 btu/h, QP442PBA, LG, AC Rotary Compressor, Rotary Scroll Compressor, 220-240V 50HZ, 2 ton, 3 Hp, 1 PH

# Mbsm.pro, air conditioner, Gibson, GS18K11BCHI, 18000 btu, 15 A, 2900 w, Cooling, Heating, r410a, 1400 G, 220v50hz, T1

written by Lilianne | 29 April 2022



Mbsm.pro, air conditioner, Gibson, GS18K11BCHI, 18000 btu, 15 A, 2900 w, Cooling, Heating, r410a, 1400 G, 220v50hz, T1