

Samsung SR-40RMB Refrigerator compressor sk170h-l1u 1/4 hp

written by Lilianne | 11 September 2022



Mbsm.pro, Samsung, SR-40RMB, Refrigerator, compressor, sk170h-l1u, 1/4 hp, r134, lbp, 195 w

Samsung Compressor EU4A5Q-L2X EU4A5QL2X 1/4 hp lbn

written by Lilianne | 11 September 2022



mbsm.pro, Samsung, Compressor, EU4A5Q-L2X, EU4A5QL2X, (VEGZ11C Compatible Embraco) , 1/4 hp, inverter, r600

Compressor DANFOSS NL8.4CLX 105F3800 0.25 hp

written by Lilianne | 11 September 2022



Private Picture Copyright : WWW.MBSM.PRO

Mbsm.pro, compressor, DANFOSS, 1/4 hp, R404a/R507, NL8.4CLX, LBP, 105F3800

Mbsm.pro, Daewoo Compressor, YX58LHP5, R134a, 200 w, 1/4 hp, 683 BTU, Lbp, 95 G, Congélateur, CONDOR NOFROST,

375L

written by Lilianne | 11 September 2022



Private Picture Copyright : WWW.MBSM.PRO





Réfrigérateur - Congélateur

Modèle H 430NC Classe T

Volume brut 375L

Volume utile compt denrées fraîche 242L

Volume utile compt basse température 90L

Voltage / Fréquence 220-240V - 50Hz

Puissance 0.8A

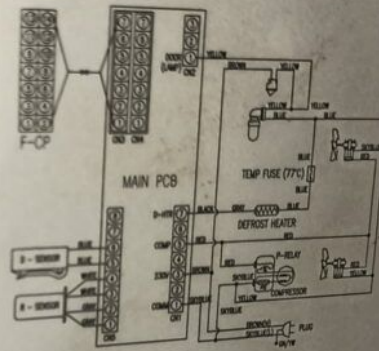
Puissance de dégivrage 180W

Puissance de lampe 25W*1

Réfrigérant R134a

N° de série

WIRING DIAGRAM



Note: 1. laissez au moins 5cm d'espace libre à l'arrière de l'appareil pour une bonne ventilation.
2. Après avoir débranché l'appareil, attendre 5 minutes avant de le rebrancher.

W341-S



Private Picture Copyright : WWW.MBSM.PRO

Mbsm_dot_pro_private_PDF_YX58LHP5-R134aTélécharger

**Mbsm.pro, Compressor,
D91c21rax5, 1/4 hp, Lbp, 230
w, R134a, 135 G,
refrigerator, Goldi, Nt1800,
no frost, 2 doors, 509 L,**

replaced by GL99aa

written by Lilianne | 11 September 2022



Mbsm.pro, Compressor, D91c21rax5, 1/4 hp, Lbp, 230 w, R134a, 135 G, refrigerator, Goldi, Nt1800, no frost, 2 doors, 509 L, replaced by G199aa

Mbsm.pro, Embraco, ERU280HSP, hermetic reciprocating, low temperature, refrigeration, compressor, 1/4 hp, Lbp, R134a

written by Lilianne | 11 September 2022



Private Picture Copyright : WWW.MBSM.PRO

Mbsm.pro, Embraco, ERU280HSP, hermetic reciprocating, low temperature, refrigeration, compressor, 1/4 hp, Lbp, R134 a

**Mbsm.pro, Compressor,
hys69yq, 1/4 hp, Lbp, HiTech,
r134a**

written by Lilianne | 11 September 2022



Private Picture Copyright : WWW.MBSM.PRO

Mbsm.pro, Compressor, hys69yq, 1/4 hp, 1bp, HiTech, r134a

**Mbsm.pro, KIRIAZI,
REFRIGERATOR, 16 FEET, NO
FROST, E450N, Compressor, 1/4
hp, R134a, 180 g**

written by Lilianne | 11 September 2022



Mbsm.pro, KIRIAZI, REFRIGERATOR, 16 FEET, NO FROST, E450N, Compressor, 1/4 hp, R134a, 180 g

Mbsm.pro, compressor, EM Series, Embraco, EMY75HLC, 211 w, 1/4 hp, lbp, 750 btu, r134a

written by Lilianne | 11 September 2022

R	Series	Model	Capacity (kg/24h)	Capacity (lb/24h)	Power (W)	Power (hp)	Current (A)	Voltage (V)	ISO	Type	Weight (kg)	Weight (lb)		
													Capacity (kg/24h)	Capacity (lb/24h)
R 134a	EMX	EMZ 66 CLP	220~240/50	10.61	190	163.4	1.74	1.50	4	ISO 5	CCC/VDE	171	6.73	
		EMX 32 CLC	220~240/50	5.96	102	87.7	1.78	1.53	2.5	ISO 5	CCC	166	6.54	
		EMX 40 CLC	220~240/50	7.24	128	110.1	1.80	1.55	4	ISO 5	CCC	166	6.54	
	EMB	EMB 32 CLC	220~240/50	5.96	103	88.6	1.88	1.62	2.5	ISO 5	CCC	166	6.54	
		EMB 40 CLC	220~240/50	7.24	128	110.1	1.92	1.65	4	ISO 5	CCC/VDE	171	6.73	
		EMB 46 CLC	220~240/50	7.96	142	122.1	1.90	1.63	4	ISO 5	CCC/VDE	171	6.73	
		EMB 55 CLC	220~240/50	9.05	163	140.2	1.88	1.62	4	ISO 5	CCC/VDE	171	6.73	
		EMB 66 CLC	220~240/50	10.61	190	163.4	1.87	1.61	4	ISO 5	CCC/VDE	171	6.73	
		EMU	EMT 45 HLP	220~240/50	4.85	145	124.7	1.40	1.20		ISO 7	CCC/VDE	158	6.22
	EMU 45 HLP		220~240/50	4.85	145	124.7	1.50	1.29		ISO 7	CCC/VDE	158	6.22	
	EMU 55 HLP		220~240/50	5.20	161	138.5	1.50	1.29		ISO 7	CCC/VDE	166	6.54	
	EMU 65 HLP		220~240/50	5.96	185	159.1	1.47	1.26		ISO 7	CCC/VDE	166	6.54	
	EMU 45 HLP		200~230/50	4.85	145	124.7	1.45	1.25		ISO 22	CCC/VDE	158	6.22	
	EMU 55 HLP		200~230/50	5.20	161	138.5	1.45	1.25		ISO 22	CCC/VDE	166	6.54	
	EMU 65 HLP		200~230/50	5.96	185	159.1	1.45	1.25		ISO 22	CCC/VDE	166	6.54	
	EMU 55 HLP		115~127/60	4.15	148	127.3	1.46	1.26		ISO 7	UL	158	6.22	
	EMY		EMY 55 HLC	220~240/50	5.20	161	138.5	1.60	1.38	4	ISO 7	CCC/VDE	166	6.54
			EMY 65 HLC	220~240/50	5.96	185	159.1	1.60	1.38	4	ISO 7	CCC/VDE	166	6.54
EMY 75 HLC			220~240/50	7.00	215	184.9	1.60	1.38	4	ISO 7	CCC/VDE	171	6.73	
EMY 50 HLP			115~127/60	4.15	140	120.4	1.60	1.38	12	ISO 7	UL	158	6.22	
EMY 55 HLP		115~127/60	4.50	160	137.6	1.60	1.38	12	ISO 7	UL	158	6.22		
EMY 60 HLP		115~127/60	4.85	180	154.8	1.60	1.38	12	ISO 7	UL	166	6.54		
EMH	EMH 60 HER	115~127/60	5.19	189	162.5	1.47	1.26		ISO 7	CCC	166	6.54		
	EMT 2121 U	220~240/50	5.57	256	220.0	1.42	1.22	48	ISO 22	CCC/VDE	166	6.54		
R 290	EMT	EMT 2125 U	220~240/50	5.96	301	259.0	1.48	1.28	58	ISO 22	CCC/VDE	166	6.54	

测试条件: 蒸发-23.3° C (-10° F) 冷凝54.4° C (130° F) 吸气/环境32.2° C (90° F) 液体32.2° C (90° F)
 Test Conditions: Evaporating: -23.3°C (-10°F) | Condensing: 54.4°C (130°F) | Gas and Ambient: 32.2°C (90°F) | Liquid: 32.2°C (90°F)

Private Picture Copyright: WWW.MBSM.PRO

Mbsm.pro, compressor, EM Series, Embraco, EMY75HLC, 211 w, 1/4 hp, lbp, 750 btu, r134a

Mbsm.pro, Freezer, 420 L, regeneration, using Cooling, Aluminium Plated, Roll Bonded, Evaporator Plate, Compressor, L72cZ1 , 1/4 hp, r134a, capillarie 3 M, 0.032

written by Lilianne | 11 September 2022



Mbsm.pro, Freezer, 420 L, regeneration, using Cooling, Aluminium Plated, Roll Bonded, Evaporator Plate, Compressor, L72cZ1 , 1/4 hp, r134a, capillarie 3 M, 0.032