

**ENIEM Refrigerateur, no-frost, Made in Algeria, 540L, 220v-240v/50hz, Inverter, Compressor , Technology , Refrigerator LG, bsa090njmv, Inverter, Small Compressor, 9.8 cc , r600a, 60G, Block dc control inverter**

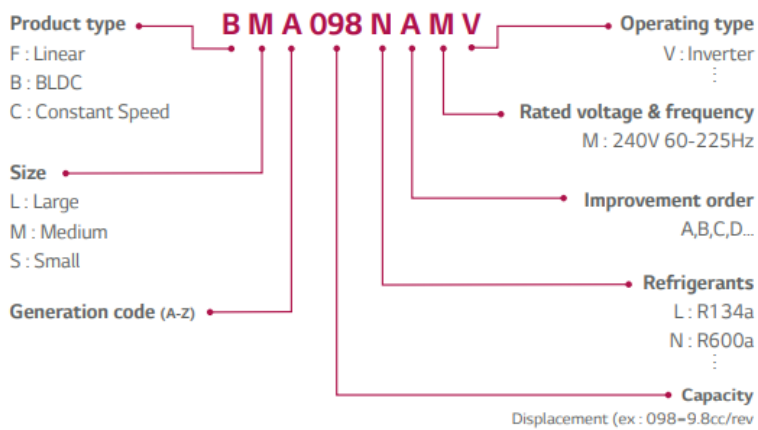
written by Lilianne | 11 January 2021

ENIEM Refrigerateur, Made in Algeria, 540L, 220v-240v/50hz, Inverter, Compressor , Technology , Refrigerator LG, bsa090njmv, Inverter, Small Compressor, 9.8 cc , r600a, Block dc control inverter



Private Picture Copyright : WWW.MBSM.PRO

## Nomenclature



### Wide operating range

- New oil pumping system
- 1,200-4,500rpm

Private Picture Copyright : WWW.MBSM.PRO



Mbsm\_dot\_pro\_private\_PDF\_bsa090njmv -  
 Inverter\_Compressor\_Technology\_for\_RefrigeratorReciprocatingTé  
 télécharger

---

# **GMCC, PE50h1f-9, Compressor, RSCR, 220V-240V-50hz, R134A, LBP, 153W, 1/5HP**

written by Lilianne | 11 January 2021



Mbsm\_dot\_pro\_private\_PDF\_pe50h1f-9Télécharger

Mbsm\_dot\_pro\_private\_PDF\_pe50h1f-9-2Télécharger

Mbsm\_dot\_pro\_private\_PDF\_pe50h1f-9-3Télécharger