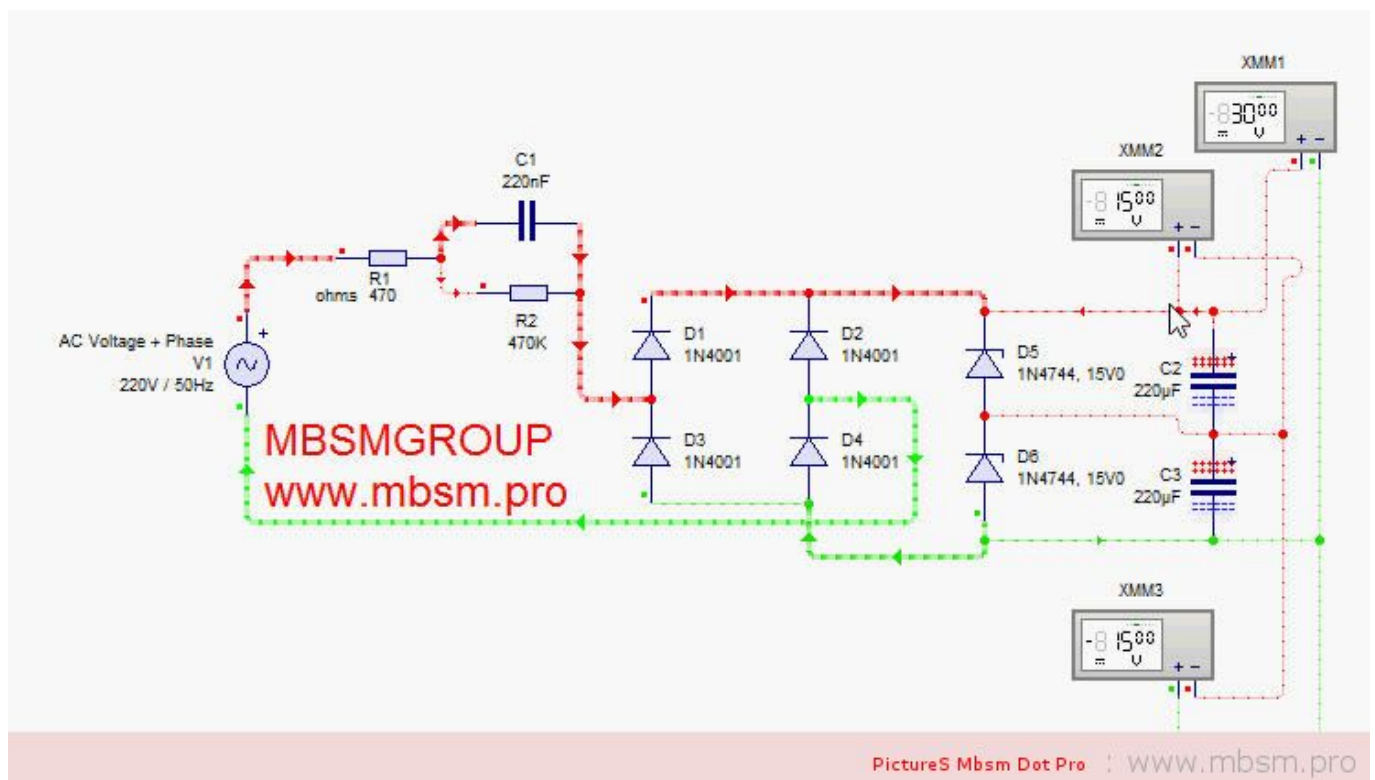


Mbsm.pro , Schema Electronique Alimentation 220v Ac 15/30 DC

written by Lilianne | 3 February 2018

Mbsm.pro , Schema Electronique Alimentation 220v Ac 15/30 DC



<http://www.mbsm.pro/wp-content/uploads/2018/02/shema-15v-dc-mbsm-dot-pro-2.mp4>