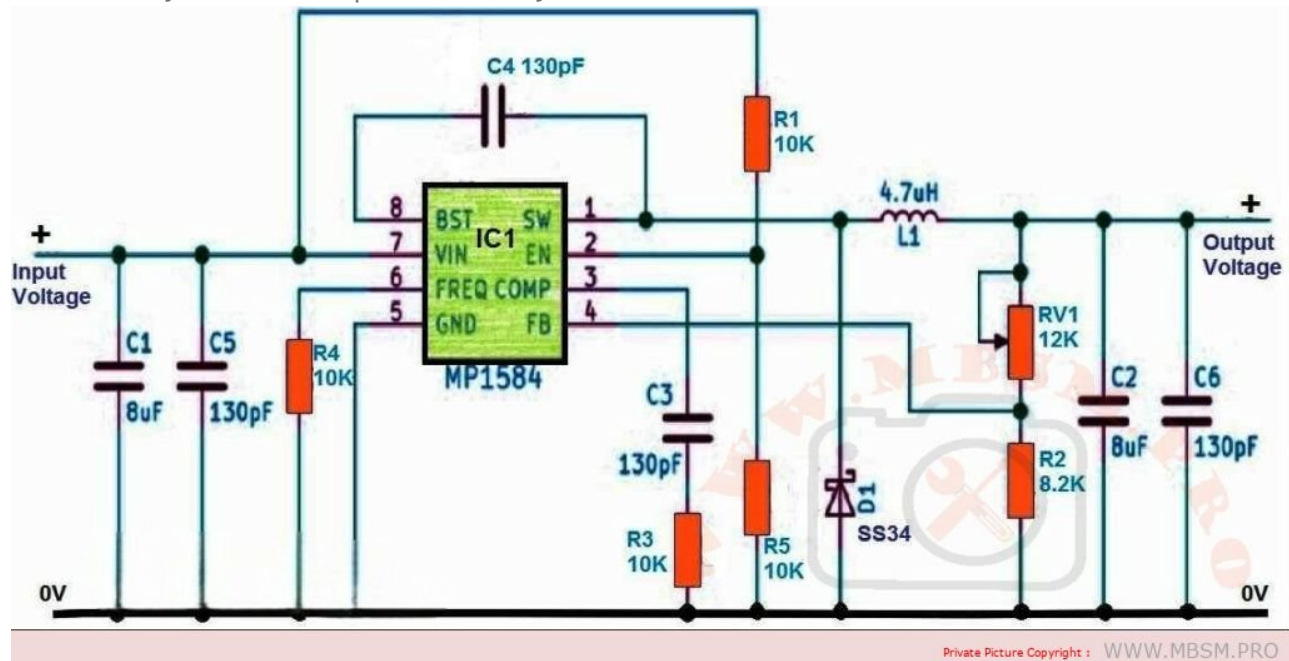


Mbsm.pro, 3A Adjustable voltage regulator circuit from 12 v to 5 v DC

Category: electronics

written by rober us | 16 January 2024



Mbsm.pro, 3A Adjustable voltage regulator circuit from 12 v to 5 v DC