

MBSM.PRO , HYE69YL , Compressor (LBP) , China R134a , Huayi Compressor Co. , Ltd, 69 YL , 1/4 Hp , 168Kcal , 220V

written by Jamila | 6 October 2018

MBSM.PRO , HYE69YL , Compressor (LBP) , China R134a , Huayi
 Compressor Co. , Ltd, 69 YL , 1/4 Hp , 168Kcal , 220V

Test conditions	According to ASHRAE
Evaporating temperature	-23.3[°C]
Condensing temperature	54.4[°C]
Subcooling temperature	32.2[°C]
Suction temperature	32.2[°C]
Ambient temperature	32.2[°C]
Working condition limit:R134a	
Max ambient temperature	43[°C]
Evaporation temperature range	-35~-15[°C]
Working voltage range.	187~254/98~127[V]
Max discharge pressure	2.0[Mpa](gauge pressure)
Max allowable housing temperature	95[°C]
Max discharge temperature	125[°C]
Max pressure housing endured	2.7[Mpa](gauge pressure)

Low voltage start

0.4/0.4Mpa (gauge
pressure) 187V/98V

Product model:HYE69YL

Cooling capacity:195W

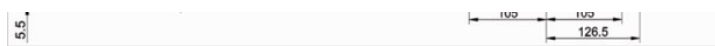
COP \square W/W \square :1.15

Voltage \square V \square :220-240~

Frequency(Hz):50



- Products**
- R134a Compressor (LBP)
 - HYE Serie
 - HY Serie
 - HYB Serie
 - HYS Serie
 - R600a Compressor (LBP)
 - HYE Serie
 - HY Serie
 - HYB Serie
 - HYS Serie
 - R134a Compressor (MBP,HBP)
 - HY Serie
 - HYE Serie
- [Newest Catalog Download](#)



Product model:HYE69YL
 Cooling capacity:195W
 COP (W/W) :1.15
 Voltage (V) :220-240~
 Frequency(Hz):50

Test conditions	According to ASHRAE
Evaporating temperature	-23.3°C
Condensing temperature	54.4°C
Subcooling temperature	32.2°C
Suction temperature	32.2°C
Ambient temperature	32.2°C
Working condition limit:R134a	
Max ambient temperature	43[°C]
Evaporation temperature range	-35~-15[°C]
Working voltage range.	187~254/98~127[V]
Max discharge pressure	2.0[Mpa](gauge pressure)
Max allowable housing temperature	95[°C]
Max discharge temperature	125[°C]
Max pressure housing endured	2.7[Mpa](gauge pressure)
Low voltage start	0.4/0.4Mpa(gauge pressure)187V/98V



AE 1330 Y
1 / 12 HP



AE 1340 Y
1 / 6 HP



AE 1350 Y
1 / 6 HP



AE 1360 Y
1 / 5 HP



AE 1370 Y
1 / 4 HP



AE 1390 Y
1 / 4 HP





**Mbsm.pro , Compressor ACC
,Cubigel Huayi, Electrolux
ZEM, GP12TG, HMBP-R134a,
220-230V ,50/60Hz, 3.8 HP**

written by Jamila | 6 October 2018

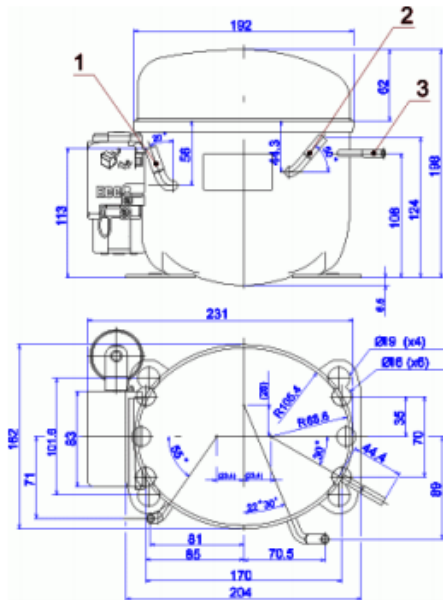
Mbsm.pro , Compressor ACC ,Cubigel Huayi, Electrolux ZEM,
GP12TG, HMBP-R134a, 220-230V ,50/60Hz, 3.8 HP



ELECTRICAL COMPONENTS

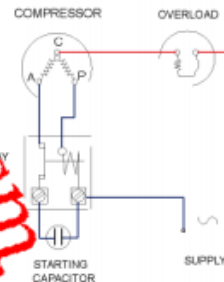
Relay	2014 149.	
Pick-Up (A)	7.80	
Drop-Out (A)	6.65	
Protector	MRT20APK	T0188
Current (A)	13.2	12.3
Time check (seg)	7.5-14	7.5-14
Disc temp. (Open/Close) (°C)	105.0 / 61.0	115.0 / 61.0
Starting capacitor (μF/V)/FV	47- 56 / 330	

DIMENSIONS AND ELECTRICAL DIAGRAM



	DESIGNATION	INTERNAL DIAM. (MM)
1	Suction/Service	8.1
2	Service/Suction	8.1
3	Discharge	6.5

CSIR



PictureS Mbsm Dot Pro : www.mbsm.pro

**MBSM.PRO , Compressor ,
Electrolux-Zem GL60AA R134A
,1/6 HP , 1PH , 220-240 V 50
Hz**

written by Jamila | 6 October 2018

MBSM.PRO , Compressor, Electrolux-Zem GL60AA R134A ,1/6 HP ,
1PH , 220-240 V 50 Hz



- Puissance en cheval 1/6 CV
- Cylindrée 5.99 cm³
- 220-240 V 50 Hz
- Gaz R134a LBP
- Température d'utilisation max. 32°C
- Avec boîtier et système de démarrage

La photo montre l'aspect du compresseur, pas son étiquette réelle

Codes fabricants

- ACC-GL60AA
- ACC-GL60AB
- ACC-GL60AH
- CUBIGEL-GL60AA
- CUBIGEL-GL60AB
- CUBIGEL-GL60AH
- MONDIAL ELITE-4106004
- MONDIAL ELITE-1147031
- Embraco Aspera- B1112Z





Picture5 Mbsm Dot Pro : www.mbsm.pro

Mbsm_dot_pro_private_PDF_GL60AATélécharger
 Mbsm_dot_pro_private_PDF_-GL60AATélécharger



Type: Hermetic piston compressors **Producer: ACC** **Series: HMBP**
Model: GL60AA

General data

Refrigerant:	R134a
Discharge element:	C
Cooling:	S
Maximum ambient temperature [°C]:	43

Compressor's data

Cylinder capacity [cm ³]:	6
Displacement [m ³ /h]:	1
Weight [kg]:	9,1
Oil charge [cm ³]:	265
Oil type:	ISO VG 19 ESTER

Engine's data

Engine type:	RSIR
Power [KM]:	1/6
Starting element:	LST
Power supply:	220V 50Hz
Voltage range:	187-264
Locked rotor current [A]:	9,9
Running winding resistance (25°C) [Ω]:	15,6
Starting winding resistance (25°C) [Ω]:	21,31

Electrical data

Relays:	3003
Shielding element:	MRA38028, T0508, AF18FU
Starting capacitor volume [μF]:	

Connections

	millimeters	inches
Suction tube:	6,5	
Service tube:	6,5	
Discharge tube:	4,9	