

www.mbsm.pro , Schema de branchement interphone acet ,interphone acet nuance audio 67620x – 67622x

written by mahdi miled | 5 March 2017

www.mbsm.pro , Schema de branchement interphone acet
,interphone acet nuance audio 67620x – 67622x

mbsmdotpro-interphone1.jpg (67 KB)



mbsmdotpro-interphone1.jpg (39 KB)



mbsmdotpro-interphone2.jpg (66 KB)



PictureS Mbsm Dot Pro ; www.mbsm.pro

mbsmdotpro-interphone2.jpg (39 KB)



mbsmdotpro-interphone3.jpg (86 KB)



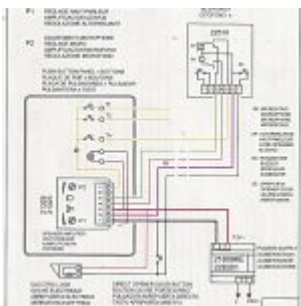
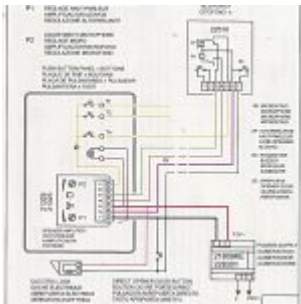
mbsmdotpro-interphone3.jpg (50 KB)



mbsmdotpro-interphone4.jpg (134 KB)



mbsmdotpro-interphone4.jpg (98 KB)



mbsmdotpro-interphone5.jpg (1 MB)



mbsmdotpro-interphone5.jpg (1 MB)



mbsmdotpro-interphone6.jpg (1 MB)



mbsmdotpro-interphone6.jpg (1 MB)

