

WP28C, Hermetic, Compressor, 68 w, 2.82 cm³, 0.64 a, r134a, 1/12 hp

written by Amina | 20 October 2023



Private Picture Copyright : WWW.MBSM.PRO

WP28C, Hermetic, Compressor, 68 w, 2.82 cm³, 0.64 a, r134a,
1/12

hp

**Mbsm.pro, COMPRESSOR, AZ
1328A, 1/10 HP, AZ1328A, 68
w, 58 kcal/h, 234 btu/h, 1
phase, 220 v, r12, TECUMSEH
EUROPE**

written by Lilianne | 20 October 2023

L'UNITE HERMETIQUE

FICHE TECHNIQUE COMPRESSEUR

N° 1010 - F ind a

BP
R12

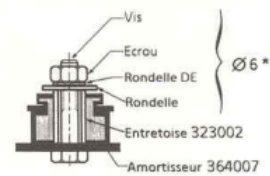
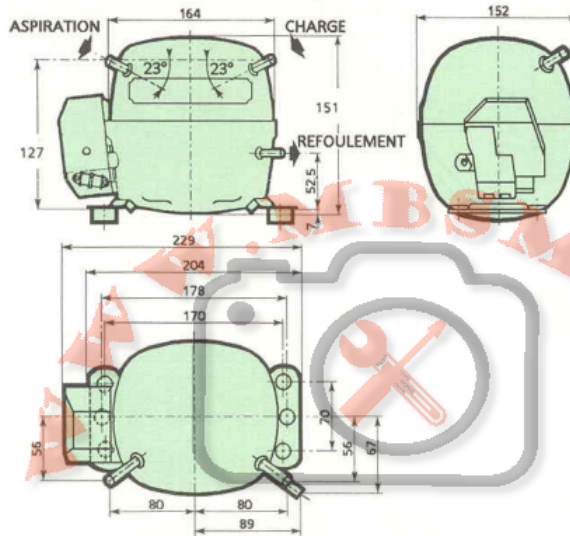
AZ1328A

Tension F: 220-240V / 50Hz monophasé

code : 2023431

production frigorifique	fréquence	watt	Kcal/h	BTU/h	Puissance sonore
STANDARD	50Hz	68	58	234	35 dBA
CECOMAF	50Hz	52			

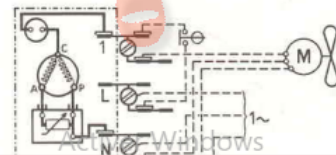
MONTAGE SUSPENSION



Couple de serrage conseillé : 5 à 10Nm
*Pièces non fournies

APPAREILLAGE ELECTRIQUE

PTC



Pour conduite Ø ext en mm

Private Picture Copyright : WWW.MBSM.PRO

Mbsm.pro, COMPRESSOR, AZ 1328A, 1/10 HP, AZ1328A, 68 w, 58 kcal/h, 234 btu/h, 1 phase, 220 v, r12