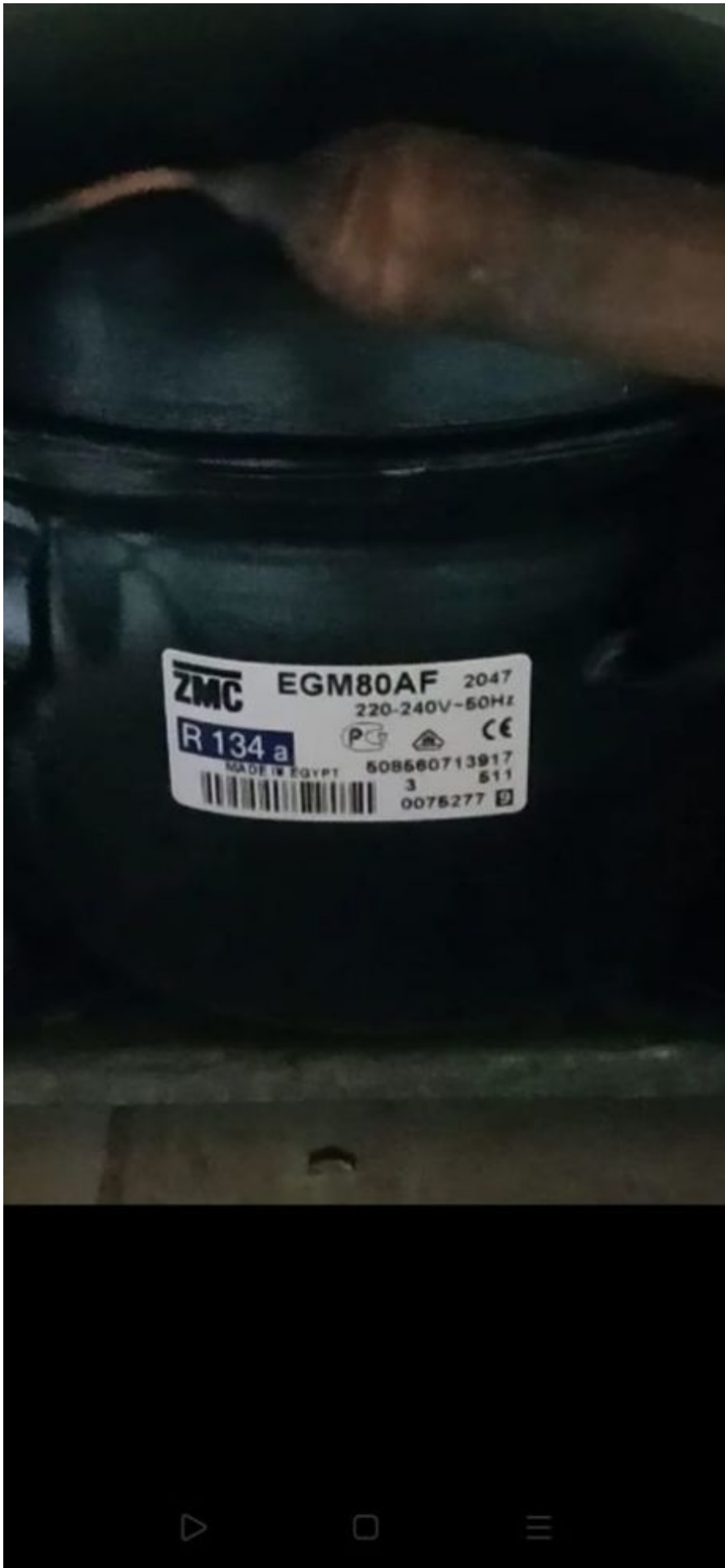


**Mbsm.pro, PDF, Compressor,
ZMC, 1/4 HP, LBP, RSIR /
RSCR, GM 80 AF, GM80AF, R-134**

written by Lilianne | 16 January 2021



Compressor, Frigo, Moteur ZMC, 1/4 HP, LBP, RSIR / RSCR, GM 80 AF, GM80AF, R-134, 198 KCAL, Frigo OCEAN, 100cm/60cm , Ocean, Made in Egipt, Capacity 295 L, Charge 100G

written by Lilianne | 16 January 2021

ABOUT ZMC

WE ARE MISR COMPRESSOR MANUFACTURING CO. (MCMC) A COMPANY ESTABLISHED IN 1988, DEDICATED TO MANUFACTURING OF HERMETIC COMPRESSORS FOR HOUSEHOLD AND COMMERCIAL REFRIGERATION INDUSTRY

MODÈLE: EGM80AF

CODE: 508500314016

Données GENERALES

Réfrigérant:	R134a
Application:	LBP
Plage de température d'évaporation:	-30 ° C à -10 ° C
Tension / Fréquence:	220 / 240V / 50 HZ

Refroidissement du compresseur:	Statique
Périphérique d'extension:	Tube capillaire
Quantité d'emballage:	Multi – 96: 120 pièces
Approbations:	CE-VDE-GOST

Données mécaniques

Charge d'huile:	350 cm ³
Configuration du type d'huile:	ester
Viscosité du type d'huile:	19 cSt
Poids:	9,5 kg

Données électriques

Type de moteur:	RSIR / RSCR *
Plage de travail de tension à 50 Hz:	187-264V
Température maximale du moteur:	130 ° C
Courant de rotor bloqué:	14,43 / 8,50 A
Début de la résistance d'enroulement:	15,80 Ω à 25 ° C
Résistance d'enroulement de course:	10,40 Ω à 25 ° C
Phase:	1 ph

Caractéristiques externes

Diamètre intérieur	(mm)
Connecteur d'aspiration	6,5
Connecteur de décharge	4,9
Connecteur de processus	6,5
Matériel	Cuivre

Composants électriques

Dispositif de démarrage:	PTC 14 Ω
Protection du moteur:	T0490 / xx



Ocean

Egyptian Italian Appliances



OCDF29514001035

Product Name. DF295 Silver	Code. DFOC295LSL004	Refrigerant R134A - 0.1 Kg
Voltage. 220-230 V	Motor Input. 1.7 A	50 / 60 Hz
Lamp Power. 15 W	Capacity. 295 L	Class. T
Net Wt. 44 Kg	Gross Wt. 49 Kg	Made in Egypt

Ocean

Egyptian Italian for Electrical Appliances



OCDF29514001035

Product Name. DF295 Silver	Code. DFOC295LSL004	Refrigerant R134A -2.1 Kg
Voltage. 220-230 V	Motor Input. 1.7 A	50 / 60 Hz
Lamp Power. 15 W	Capacity. 295 L	Class. T
Net Wt. 44 Kg	Gross Wt. 49 Kg	Made in Egypt



Private Picture Copyright : WWW.MBSM.PRO



Mbsm_dot_pro_private_PDF_EGM80AFTélécharger

**Mbsm.pro, PDF, Compressor,
Hitachi, FL 0739 (90 Watts),
FL 0847 (105 Watts), FL 1152
(125 Watts), FL 1257 (150
Watts), FL 1462 165 Watts),
FL 1675 (185 Watts), FL 1888
(210 Watts), FL 2088 (250
Watts)**

written by Lilianne | 16 January 2021



Private Picture Copyright: WWW.MBSM.PRO

Mbsm_dot_pro_private_PDF_FL1462-SA_Hitachi-
catalogueTélécharger
Mbsm_dot_pro_private_PDF_FL1462-

**Compressor, Hitachi, R134a,
(série R012), FL1462-SA,
HITACHI Brand , (Made in
Thailand), 1/5 Hp, 160w, FL
0739 (90 Watts), FL 0847 (105
Watts), FL 1152 (125 Watts),
FL 1257 (150 Watts), FL 1462
165 Watts), FL 1675 (185
Watts), FL 1888 (210 Watts),
FL 2088 (250 Watts)**

written by Lilianne | 16 January 2021
HITACHI Brand (Thailand)

Model

Fl 0739 (90 Watts)

Fl 0847 (105 Watts)

Fl 1152 (125 Watts)

Fl 1257 (150 Watts)

Fl 1462 (165 Watts)

Fl 1675 (185 Watts)

Fl 1888 (210 Watts)

Fl 2088 (250 Watts)

Code No.	Model	HP	Capacity (W)	Current (A)	Efficiency COP (w/w)	Voltage / Frequency
R134a Models						
R012001	FL 06S34-TAB	1/12	85	0.70	0.93	220V – 240V / 50Hz
R012002	FL 0739-SQ	1/10	114	0.72	1.20	
R012003	FL 0847-SD	1/8	130	0.83	1.19	
R012005	FL 1152-SB	1/6	143	0.82	1.27	
R012006	FL 1257-SR	1/5	160	0.90	1.25	
R012007	FL 14S62-TAD	1/5	175	0.95	1.30	
R012008	FL 1568-SQ	1/4	200	1.11	1.30	
R012009	FL 20S88-TAC	1/3	255	1.50	1.25	
R012010	FL1888-SE	1/3	245	1.51	1.25	
R600a Models						
	CL 0545-SZ	1/12	62	0.70	1.12	220V – 240V / 50Hz
	CL 1297-SA	1/5	156	0.90	1.46	
	CL 1310-SA	1/5+	163	0.95	1.48	
R600a Models (Inverter)						
	CL 1588-DZ	1/6	134	0.83	1.62	220V – 240V / 50Hz
	CL 1610-DL	1/5	160	0.90	1.65	





F L 14 62 - S B

Series name/Refrigerant

F = R134a
R = R404A
C = R600a

Application category:

L = Low back pressure
H = High back pressure

Development

A - Z = With oil charge
1 - 9 = With out oil charge

Sign	Output(W)	Sign	Output(W)
04	45	15	150
05	55	16	160
06	65	17	170
07	75	18	180
08	85	20	200
10	100	25	250
11	110	35	350
12	125	40	400
14	140	45	450

Sign	Phase/voltage/frequency	Sign	Phase/voltage/frequency
H	1Ø 100 V 50/60 Hz	S	1Ø 220 ~ 240 V 50 Hz
P	1Ø 110 V 120 V 60 Hz	*D	1Ø 100 V 50/60 Hz
U	1Ø 127 V 60 Hz	T	3Ø 200 V 50/60 Hz
R	1Ø 200 ~ 220 V 60 Hz		

Sign	Displacement(Cm ³)	Sign	Displacement(Cm ³)
24	2.4	62	6.2
28	2.8	68	6.8
34	3.4	75	7.5
39	3.9	88	8.8
45	4.5	97	9.7
52	5.2	11	11.0
57	5.7		

Private Picture Copyright: WWW.MBSM.PRO

Mbsm_dot_pro_private_PDF_FL1462-SA_Hitachi-catalogueTélécharger

Mbsm_dot_pro_private_PDF_FL1462-

SA_Mbsm_dot_pro_private_PDF_P_COM008_105_specTélécharger

Mbsm.pro, PDF, GL80AF , ZEM, EGL80AF, Compressors , GD40AF 1/9 , GL45AF 1/8 , GL60AF, GL70AF , GL70ANa 1/5 ,GL70AND, GL80AF 1/5

written by Lilianne | 16 January 2021



Private Picture Copyright : WWW.MBSM.PRO

Mbsm_dot_pro_private_PDF_GLy80aaTélécharger

Mbsm_dot_pro_private_PDF_GLy80aa-compresseur-acc-cubigellTélécharger

Mbsm_dot_pro_private_PDF_GLy80aa-1Télécharger

GD36AD	3.62	1/12	LBP	S	115V 60Hz ~1	RSIR	P	C	30	47	68	0.65	150	80	0.85	6.1	Dj
GD36AFa	3.62	1/12	LBP	S	200-220/230V 50/60Hz ~1	RSIR	P	C	30	47	68	0.65	150	80	0.86	5.9	Dj
GD36AFb	3.62	1/12	LBP	S	200-220/230V 50/60Hz ~1	CSIR	R	C-V	30	47	68	0.65	150	80	0.86	5.9	Ds
GD40AF	4.06	1/10	LBP	S	200-220/220-230V 50/60Hz ~1	RSIR	P	C	36	54	77	0.70	172	91	0.91	6.8	Od
GLY40ADa	4.02	1/9	LBP	S	115V 60Hz ~1	RSIR	P	C	46	65	91	0.97	208	107	1.26	9.0	Lb
GLY40ADb	4.02	1/9	LBP	S	115V 60Hz ~1	RSCR	P	C	46	65	91	1.02	208	107	1.32	9.0	Lb
GL45ADa	4.56	1/8	LBP	S	115V 60Hz ~1	RSIR	P	C	41	65	95	0.80	215	112	1.05	8.1	Lb
GL45ADb	4.56	1/8	LBP	S	115V 60Hz ~1	CSIR	R	C-V	41	65	95	0.80	215	112	1.05	8.1	Lb
GL45AF	4.56	1/8	LBP	S	200-220/220-230V 50/60Hz ~1	RSIR	P	C	42	65	94	0.76	215	111	0.99	9.0	Lb
GL45ANa	4.56	1/8	LBP	S	200-240/220-230V 50/60Hz ~1	RSIR	P	C	44	65	93	0.83	213	110	1.09	9.0	Lb
GLY50ADa	5.12	1/7	LBP	S	115V 60Hz ~1	RSIR	P	C	56	83	117	1.02	259	138	1.33	9.5	Lc
GLY50ADb	5.12	1/7	LBP	S	115V 60Hz ~1	RSCR	P	C	56	83	117	1.06	259	138	1.38	9.5	Lc
GL60ADa	5.46	1/6	LBP	S	115V 60Hz ~1	RSIR	P	C	65	95	132	0.85	290	155	1.10	9.1	Lb
GL60ADb	5.46	1/6	LBP	S	115V 60Hz ~1	CSIR	R	C-V	65	95	132	0.85	290	155	1.10	9.1	Lb
GL60AF	5.46	1/6	LBP	S	200-220/220-230V 50/60Hz ~1	RSIR	P	C	66	95	131	0.81	287	154	1.05	9.1	Lb
GL60ANa	5.46	1/6	LBP	S	200-240/220-230V 50/60Hz ~1	RSIR	P	C	68	95	131	0.88	285	153	1.15	9.9	Lc
GL60ANb	5.46	1/6	LBP	F	200-240/220-230V 50/60Hz ~1	CSIR	R	C-V	68	95	131	0.88	285	153	1.15	9.9	Lc
GL60ANc	5.46	1/6	LBP	S	200-240/220-230V 50/60Hz ~1	CSIR	R	C-V	68	95	131	0.88	285	153	1.15	9.9	Lc
GL60ANd	5.46	1/6	LBP	OC	200-240/220-230V 50/60Hz ~1	RSIR	P	C	68	95	131	0.88	285	153	1.15	10.0	Lc
GL60BK	5.46	1/6	LBP	OC	115V 60Hz ~1	RSCR	P	C	66	95	132	0.84	290	155	1.10	10.0	Lc
GL70ADa	5.98	1/5	LBP	S	115V 60Hz ~1	RSIR	P	C	79	109	148	0.86	322	173	1.12	9.6	Lc
GL70ADb	5.98	1/5	LBP	S	115V 60Hz ~1	CSIR	R	C-V	79	109	148	0.86	322	173	1.12	9.6	Lb
GL70ANa	5.98	1/5	LBP	S	200-220/220-230V 50/60Hz ~1	RSIR	P	C	81	111	150	0.90	323	175	1.17	10.1	Lc
GL70ANb	5.98	1/5	LBP	F	200-220/220-230V 50/60Hz ~1	CSIR	R	C-V	81	111	150	0.90	323	175	1.17	10.1	Lc
GL70ANc	5.98	1/5	LBP	S	200-220/220-230V 50/60Hz ~1	CSIR	R	C-V	81	111	150	0.90	323	175	1.17	10.1	Lc
GL70AND	5.98	1/5	LBP	OC	200-220/220-230V 50/60Hz ~1	RSIR	P	C	80	110	150	0.90	323	175	1.17	10.4	Ld

Private Picture Copyright : WWW.MBSM.PRO

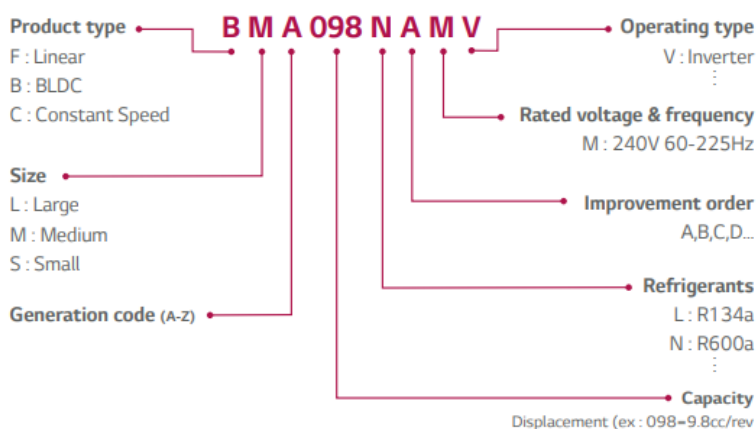
ENIEM Refrigerateur, no-frost, Made in Algeria, 540L, 220v-240v/50hz, Inverter, Compressor , Technology , Refrigerator LG, bsa090njmv, Inverter, Small Compressor, 9.8 cc , r600a, 60G, Block dc control inverter

written by Lilianne | 16 January 2021

ENIEM Refrigerateur, Made in Algeria, 540L, 220v-240v/50hz, Inverter, Compressor , Technology , Refrigerator LG, bsa090njmv, Inverter, Small Compressor, 9.8 cc , r600a, Block dc control inverter



Nomenclature



Private Picture Copyright : WWW.MBSM.PRO





Mbsm_dot_pro_private_PDF_bsa090njmv -

Inverter_Compressor_Technology_for_RefrigeratorReciprocatingTé
lécharger

**Compressor, ASPERA, b3118b ,
1/4 hp , 240V~50hZ,
Frigidaire 2 portes, Philips,
180W, Class T, 422L (460L
Total), compressor b3118b,
220g , R134a**

written by Lilianne | 16 January 2021

Compressor, ASPERA, b3118b , 1/4 hp , 240V~50hZ, Frigidaire 2
portes, Philips, 180W, Class T, 422L (460L Total), compressor
b3118b, 220g , R134a



PHILIPS

MADE IN EGYPT

Service
Service
Service

MODEL ARG 425 / PH

230 V
160 W

- 50 Hz

Class T

Gross
Net
Net
System
No

Volume
Volume
Storing Volume
Compressor

460 Ltr
440 Ltr
422,5 Ltr
ccl₂ F₂ 220 g

1095015



Mbsm_dot_pro_private_PDF_all-Compresseur-hermetique-pdf1Télécharger

Mbsm_dot_pro_private_PDF_all-Compresseur-hermetique-pdf1-1Télécharger

QBH57C10GPX, 1/6HP ,RSIR, Compressors, R134a (160g), LBP ,PANASONIC Congélateur Electrostar Defrost, 5 tiroirs , blanc , Electrostar, ES215DF, 188L (total 215L), 144W, 1.1A, 220-240v-50hz

written by Lilianne | 16 January 2021

QBH57C10GPX, 1/6HP ,RSIR, Compressors, R134a (160g), LBP ,PANASONIC Congélateur Electrostar Defrost, 5 tiroirs , blanc , Electrostar, ES215DF, 188L (total 215L), 144W, 1.1A, 220-240v-50hz,







Panasonic

R134a



911493 8025

MP3323061

QBH57C10GPX
220V-50Hz 1PH
Thermally Protected
Panasonic Corporation
Made in Malaysia

RoHS

W



Kulthorn, compressor, Kulthorn compressor, c- qn76l6f, c-qn76l6f-l, 1/10 Hp, 1Ph, Serie C-q, R134a, 76 watt, Low back pressure, 200-220V/50hz, 220v/60hz, Compressor modifier

written by Lilianne | 16 January 2021

Kulthorn, compressor, Kulthorn compressor, c-qn76l6f, 1/10 Hp, 1Ph, Serie C-q, R134a, 76 watt, Low back pressure, 200-220V/50hz, 220v/60hz, Compressor modifier

Compressor Motor Protectors

Each compressor incorporates a motor protection device or system. Generally, the larger the compressor, the more sophisticated the motor protector.

It is essential that an electric motor is protected against conditions that could otherwise result in damage to the motor or to the electrical supply system. For this reason, every Kulthorn compressor is supplied with a motor protector, sometimes referred to as an overload. The more expensive the compressor, the greater is the economic justification for specifying a motor protector that has the ability to protect over a wider

range of conditions.

1. External Motor Protectors

A smaller compressor (such as an AZ, AE or WJ) is fitted with an external motor protector. Most commonly, this is a compact, cylindrical device that contains a snapaction bimetallic disc. The protector is mounted in contact with the surface of the compressor housing, inside the terminal guard.

The compressor current passes through the bimetallic disc. The resistance of this disc causes the disc temperature to increase as the motor current increases. There is usually a small heater, located under the disc and connected in series with the disc itself. This heater further raises the temperature of the disc. There is also the impact of the compressor shell temperature, and a hot compressor will further increase the disc temperature. The temperature of the disc is thus influenced by the combined effects of –

- the compressor motor current
- the compressor shell temperature

When the bimetallic disc reaches a predetermined temperature (often either 105°C or 120°C) the disc will snap open, and power supply to the compressor will be interrupted.

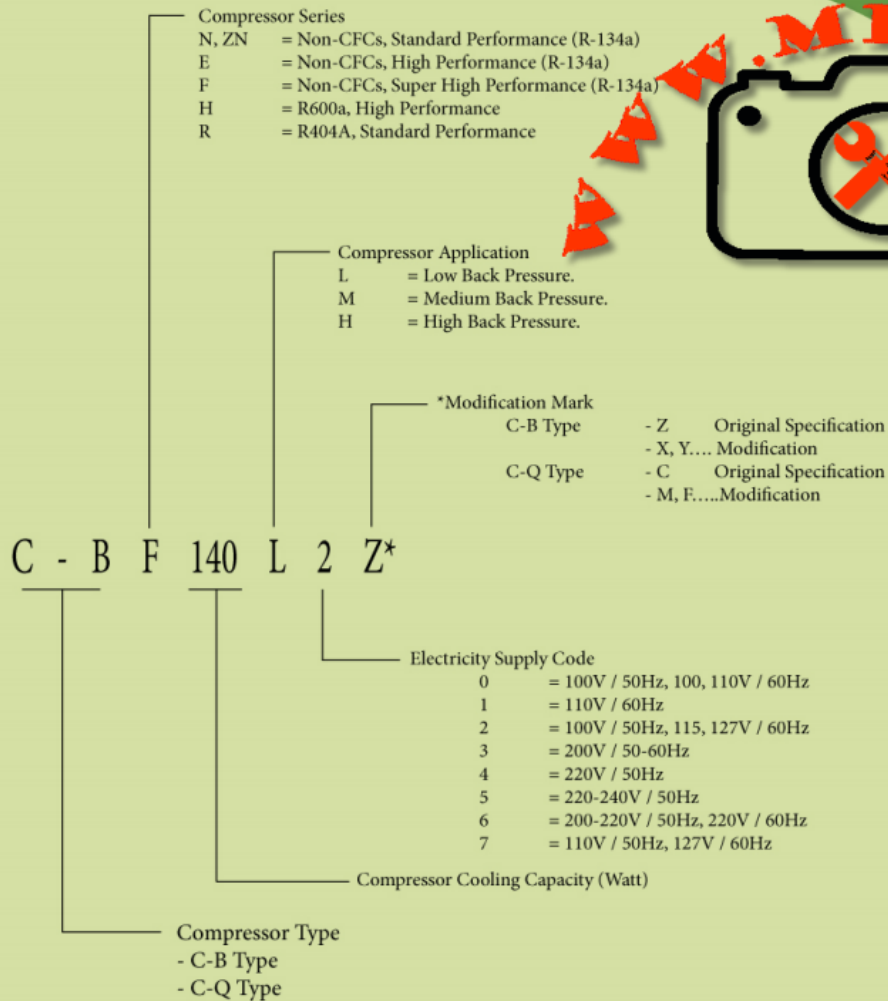
The compressor will cool, and at a reduced disc temperature the protector will reset and the compressor will restart, or attempt to restart. If the abnormal condition that caused the protector to trip in the first place still exists, the compressor is likely to continue to cycle on the overload until that condition is corrected.

There are two situations where a motor protector is expected to operate.

2. When the compressor is running under extreme conditions.
3. When the compressor is in a locked rotor condition. This is a situation where the compressor cannot start because the voltage is too low, the system pressures are outside the range for which the compressor is approved, there is internal damage to the compressor, or there is some other reason why the compressor is incapable of starting



Model Number System



Private Picture Copyright : WWW.MBSM.PRO

Mbsm_dot_pro_private_PDF_2019-06-13_110312_technical_bulletinT
 télécharger

Mbsm_dot_pro_private_PDF_kpccatalogTélécharger

Mbsm_dot_pro_private_PDF_KULTHORN-CATALOGUE_webTélécharger

Mbsm_dot_pro_private_PDF_Kulthorn-CatalogTélécharger

Mbsm_dot_pro_private_PDF_Model-Number-SystemTélécharger



KULTHORN

COMPRESSOR

Private Picture Copyright : WWW.MBSM.PRO

Name: Kulthorn Premier Company Limited (KPC)
 Established: December 1982
 Registered Capital: Baht 1,125 Million
 Address: 446/3 Moo 9 Chachoengsao – Nakornratchasima Road,
 Kabinburi Industrial Estate, Nongki, Kabinburi, Prachinburi 25160, Thailand
 Telephone: (037) 204835, 455516
 Fax: (037) 455525, 204844
 E-mail: sales_kpc@kulthorn.com
 kamjorn@kulthorn.com
 Employees: 900 persons
 Land area: 91 rai (145,600 m²)
 Building of area: 41,500 m²
 Business Products: Hermetic Reciprocating Compressor (Scotch Yoke Mechanism)
 (Product under license SANYO Japan) Size 30-250 Watt.
Compressor series / Refrigerant
 C-BN, C-BZN, C-BE, C-BF / R-134a
 C-QN / R-134a
 C-BH / R-600a
 C-BR / R-404A
 Shareholder: Kulthorn Kirby Public Company Limited 100%
 Customers: **Domestic** – Haier, Sanyo, Toshiba, Hitachi, Daewoo, Samsung, Sanden, etc.
Total = 35%
Export – Daewoo, Sanyo Group, GE, Sanden, Haier, Singer, Videocon,
 Toshiba, etc.
Total = 65%
 Quality System: ISO 9001:2000 Certified by TUV Nord Year 2003
 Q-Mark Certified by F.T.I. Year 2007



Private Picture Copyright: WWW.MBSM.PRO

Mitsubishi, Refrigeration, Compressor, for chiller, JH527YEB, 10HP, 380 à 420 V 50 Hz, 460 V 60 Hz, 29,7 kW, 74 kg, R22

written by Lilianne | 16 January 2021

Mitsubishi Refrigeration Compressor JH527YEB 10HP

Données techniques

Model	Horsepower	Power	Refrigeration capacity			Voltage	Weight	Highth
	HP		KW	Frequenc y	KW		(kcal/h)	kg
JH512-Y	4HP	3.2	50Hz	13.1	11.3	N.T.Y.X. J	48.5	390.4
			60Hz	15.6	13.4			
JH513-Y	5HP	3.75	50Hz	14.3	12.3	N.T.Y.X. J	49	390.4
			60Hz	17	14.6			
JH515-Y	5.5HP	4.1	50Hz	16.3	14	N.T.Y.X. J	49	390.4
			60Hz	19.3	16.6			
JH516-Y	6HP	4.5	50Hz	17.1	15.2	T.Y	49	390.4
			60Hz	20.7	17.8			
JH517-Y	6.33HP	4.75	50Hz	18.7	16.1	T.Y.X.J	49	390.4
			60Hz	22	18.9			
JH518-Y	6.5HP	4.85	50Hz	19.9	17.1	T.Y.X	54.5	415.4
			60Hz	23.3	20			
JH519-Y	7.5HP	5	50Hz	21.3	18.3	T.Y.X.J	54.5	415.4
			60Hz	24.9	21.4			
JH521-Y	7.5HP	5.5	50Hz	23.3	20	T.Y.X.J	54.5	415.4
			60Hz	27.6	23.7			
JH522-Y	8HP	6	50Hz	25.1	21.6	T.Y.X	54.5	415.4
			60Hz	29.2	25.1			
JH525-Y	9.33HP	7	50Hz	27.3	23.5	T.Y.X.J	74.5	441.6
			60Hz	32	27.5			
JH527-Y	10HP	7.5	50Hz	29.7	25.5	T.Y.X.J	74.5	441.6
			60Hz	34.8	29.9			
JH529-Y	10.67HP	8	50Hz	31.9	27.4	T.Y.X	74.5	441.6



Private Picture Copyright : WWW.MBSM.PRO

Production Description

compresseur de réfrigération mitsubishi modèle JH527YEB pour refroidisseur

Modèle	jh527yeb
Puissance en chevaux (Hp)	10,0
Réfrigérant	R22
An	2019
Couleur	Noir
Moq	1

type	Piston
Poids (kg)	74,5
Origine	JAPON
Emballage	Dessin animé / caisse en bois



Private Picture Copyright : WWW.MBSM.PRO



Private Picture Copyright: WWW.MBSM.PRO