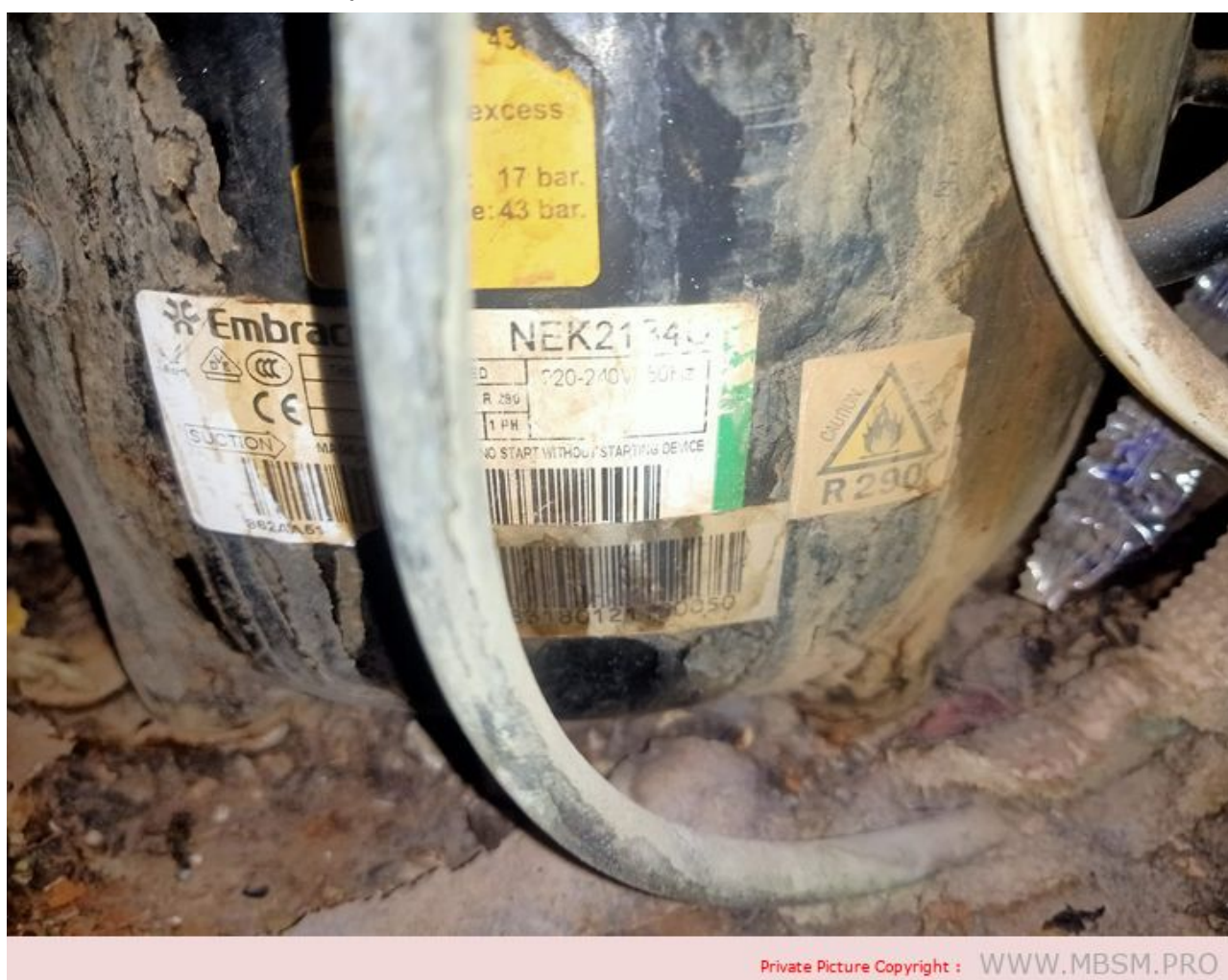


# Hermetic, compressor, Embraco, Aspera, NEK2134GK-A, CSIR, R404A, R507, 1/2 Hp, 8.7 cm<sup>3</sup>, NEK2134GK, 1bp, NEK 2134 U

written by Amina | 22 October 2023



Private Picture Copyright : [WWW.MBSM.PRO](http://WWW.MBSM.PRO)

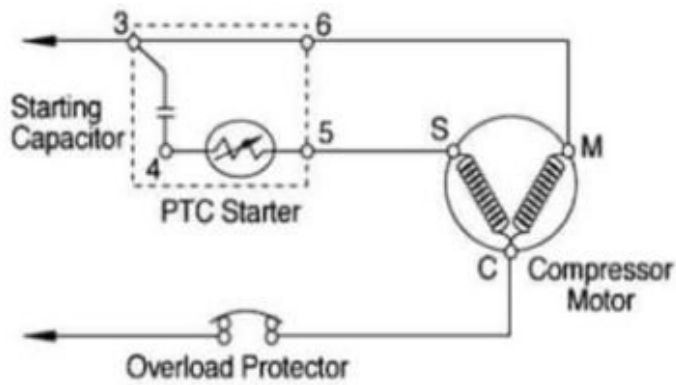
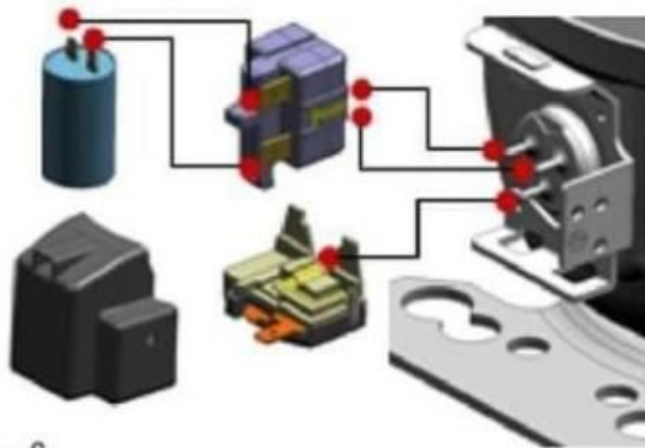
Hermetic, compressor, Embraco, Aspera, NEK2134GK-A, CSIR, R404A, R507, 1/2 Hp, 8.7 cm<sup>3</sup>, NEK2134GK, 1bp, NEK 2134 U

---

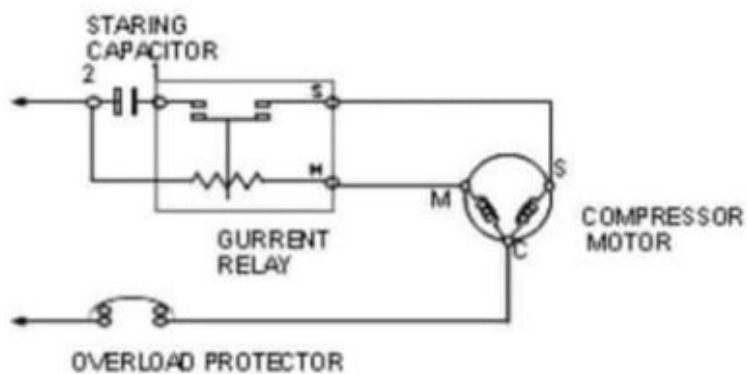
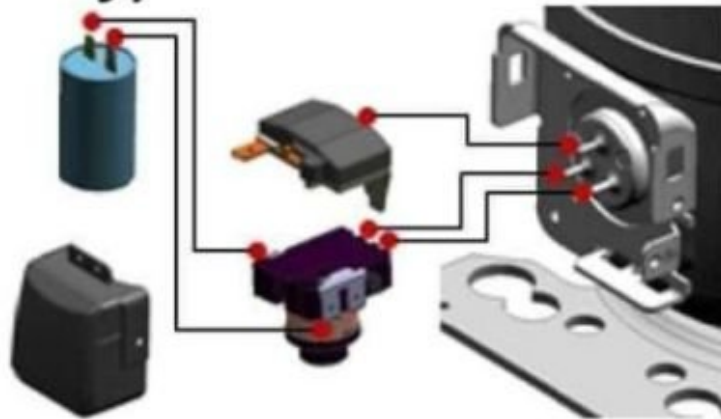
# CSIR, CSIR(relay)

written by Lilianne | 22 October 2023

# CSIR



# CSIR (Relay)



CSIR, CSIR(relay)

---

**Mbsm.pro, Compresor, cubigel,  
gl11tb, csir, 1/3 hp, Hbp,  
r134a**

written by Lilianne | 22 October 2023



Mbsm.pro, Compresor, cubigel, gl11tb, csir, 1/3 hp, Hbp, r134a

---

**Mbsm.pro, Compressor,  
Tecumseh, AJA4492YXA, High  
Back Pressure, 3/4 hp,  
R-134a/R-12++, 9000 BTU, CSIR**

written by mahdi miled | 22 October 2023



Mbsm.pro, Compressor, Tecumseh, AJA4492YXA, High Back  
Pressure, 3/4 hp, R-134a/R-12++, 9000 BTU, CSIR

---

**Mbsm.pro, Cubigel, GP16TB,  
hermetic, compressor, 3/8  
hp++, 1/2 hp-, HBP, R134a,  
R1234yf, CSIR,**

written by Lilianne | 22 October 2023



Mbsm.pro, Cubigel, GP16TB, hermetic, compressor, 3/8 hp++, 1/2  
hp-, HBP, R134a, R1234yf, CSIR,

---

**Mbsm.pro, Compressor,  
LX72LAT, 1/4 hp, LX Capacity,  
7.2 cc, R134a, LBP,  
220-240V, 50Hz 220V, 60Hz,  
CSIR, PTC**

written by Lilianne | 22 October 2023



Mbsm.pro, Compressor, LX72LAT, 1/4 hp, LX Capacity, 7.2 cc,  
R134a, LBP, 220-240V, 50Hz 220V, 60Hz, CSIR, PTC

---

**Mbsm.pro, Compressor,  
Embraco, aspera, ne6187z, 1/3  
hp++, big, CSIR, HMBP, r134a,  
230/1/50**

written by Lilianne | 22 October 2023



Mbsm.pro, Compressor, Embraco, aspera, ne6187z, 1/3 hp++, big,  
CSIR, HMBP, r134a, 230/1/50

---

**Mbsm.pro, Compressor,  
Tecumseh, AEZ4440Z, 1/3 hp  
++, BIG++, HBP, R404A, 220 –  
240V, 50 Hz, 1 phase,  
discharge: 6.69 cm<sup>3</sup>, oil  
type: POE, oil charge: 280  
cm<sup>3</sup>, CSIR, 876 W, start  
capacitor: 125 uF/250V**

written by Lilianne | 22 October 2023



Mbsm.pro, Compressor, Tecumseh, AEZ4440Z, 1/3 hp ++, BIG++,  
HBP, R404A, 220 – 240V, 50 Hz, 1 phase, discharge: 6.69 cm<sup>3</sup>,  
oil type: POE, oil charge: 280 cm<sup>3</sup>, CSIR, 876 W, start

capacitor: 125 uF/250V

---

**Mbsm.pro, Compressor,  
Tecumseh, AE4460E-FZ1B, 1/2  
hp++, (big), r22, 220-240V /  
50-60Hz, cold-room, chiller,  
AE-8137-br, 1421 w, 1222  
kcal/h, 4846 btu/h, csir, hbp**

written by Lilianne | 22 October 2023



Mbsm.pro, Compressor, Tecumseh, AE4460E-FZ1B, 1/2 hp++, (big),  
r22, 220-240V / 50-60Hz, cold-room, chiller, AE-8137-br, 1421  
w, 1222 kcal/h, 4846 btu/h, csir, hbp

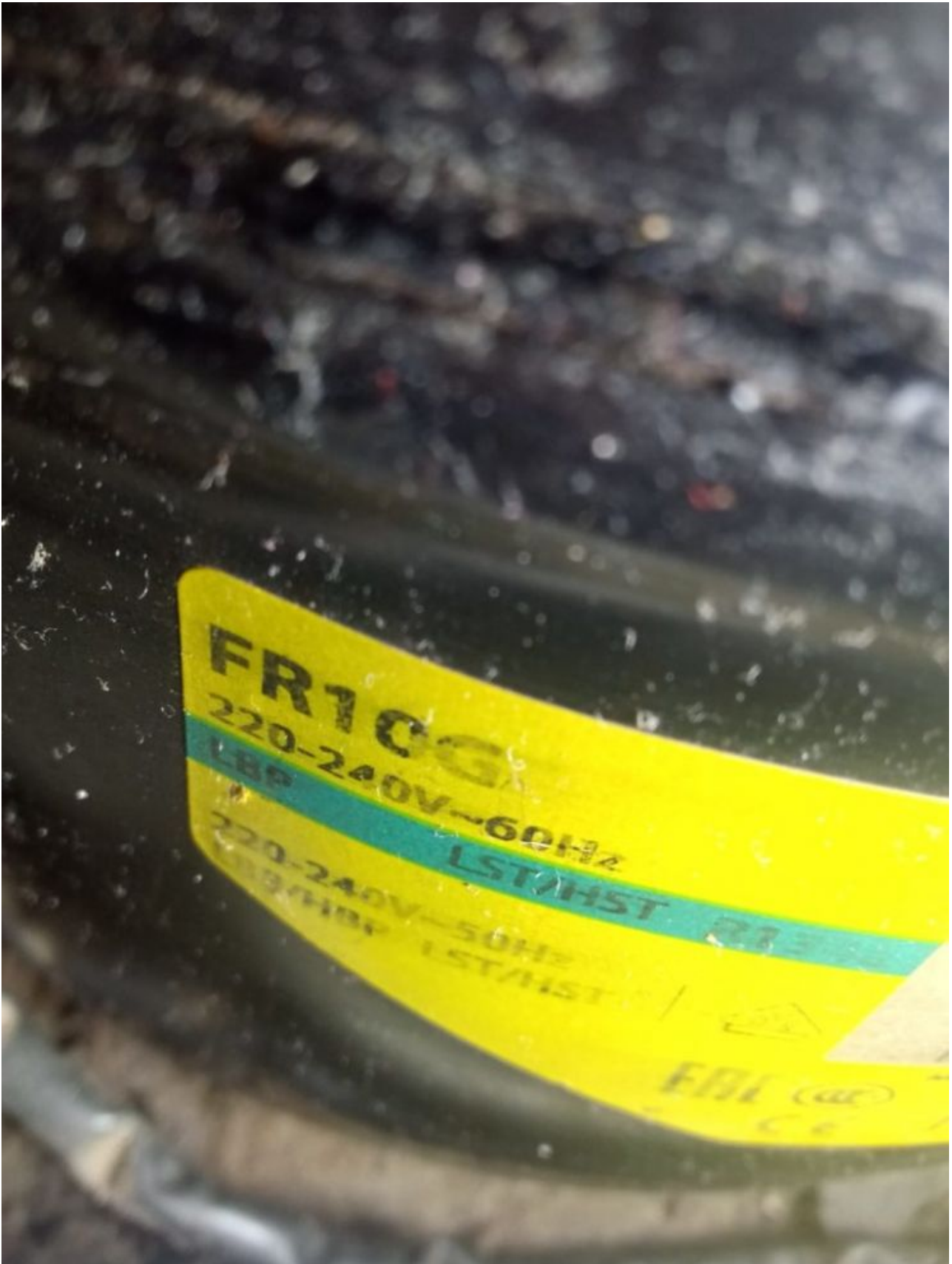
---

**Mbsm.pro, COMPRESSOR, SECOP,  
FR10G, R134a, 1/4 Hp++, 1/3  
Hp-, HMBP, 103G6880-HST,  
DANFOSS, CSIR, 730 BTU, 9.05**



CC

written by Lilianne | 22 October 2023





Mbsm.pro, COMPRESSOR, SECOP, FR10G, R134a, 1/4 Hp++, 1/3 Hp-,  
HMBP, 103G6880-HST, DANFOSS, CSIR, 730 BTU, 9.05 cc