

Mbsm.pro, PDF, CONGELATEUR, No-Frost, ENIM, ALGERIE, REFREGERATEUR, FR 4506, FR 4506 K, FR-4506K, Classe N

Category: Files

written by Lilianne | 16 January 2021



Picture Copyright : WWW.MBSM.PRO

[Mbsm_dot_pro_private_PDF_HPL23YH-5-3Télécharger](#)

[Mbsm_dot_pro_private_PDF_HPL23YH-5-Télécharger](#)

DAEW00 COMPRESSOR, HPL23YH-5, 199W, 1/4 Hp, R134A , 90G, CONGELATEUR, No-Frost, ENIM, ALGERIE, REFREGERATEUR, FR 4506, FR 4506 K, FR-4506K, Classe N, Volume Brut 447L , Volume utile 273L, Volume congélat 101L , 220-240v 50Hz

Category: compressor

written by Lilianne | 16 January 2021

Capacité totale 374 L

Compartiment denrées fraîches 273L


Compartiment denrées congelées 101L

Dimensions (mm) – Sans emballage : 1759X706X708mm

– Avec emballage : 1801X726X754mm Poids

net (kg) : 78Kg
Brut (kg) : 69Kg
Contrôle des températures Thermostat
Type de refroidissement : No Frost (Dynamique)
Éclairage intérieur
Alimentation : 220-230/50/HZ
Consommation d'énergie (kwh / an) 520
Classe énergétique B
Classe climatique : Tempérée T
CFC 0 %
Réfrigérant R134 A




ENIEM		Fabriqué en Algérie
Réfrigérateur-Congélateur	****	
Modèle FR-4506K		Classe N
Volume brut		447L
Volume utile compt denrées fraîches		273L
Volume utile compt basse température		101L
Voltage / Fréquence		220-240V - 50Hz
Puissance		
Puissance de dégivrage		160W
Puissance de lampe		15W*1
Consommation d'énergie(kwh/24h)		1.42
Réfrigérant R134a		90 grs
N° de série		
Code : Q376-29-1		





Picture Copyright : WWW.MBSM.PRO

ENIEM		Fabriqué en Algérie
Réfrigérateur-Congélateur	****	
Modèle FR-4506K		Classe N
Volume brut	447L	
Volume utile compt denrées fraîche	273L	
Volume utile compt basse température	101L	
Voltage / Fréquence	220~240V -- 50Hz	
Puissance		
Puissance de dégivrage	160W	
Puissance de lampe	15W*1	
Consommation d'énergie(kwh/24h)	1.42	
Réfrigérant R134a	90 grs	
N° de série		
Code : Q376-29.1		



Private Picture Copyright : WWW.MBSM.PRO

1. OUTLINE

DIVISION		CONTENTS
MODEL NAME		FR4506K/N
USABLE CAPACITY(l)	FREEZER	101
	REFRIGERATOR	273
	TOTAL	374
EXTERNAL DIMENSION	WIDTH	708mm
	DEPTH	706mm
	HEIGHT	1715/1759mm
REFRIGERANT	R134a	90g
COOLING & CONTROL SYSTEM	COOLING SYSTEM	Fan Cooling System
	DEFROST SYSTEM	Fin Evaporator Forced
	DEFROST CONTROL	Automatic Start & Stop
NET WEIGHT(Kg)		69kg

Private Picture Copyright : WWW.MBSM.PRO



HEL23YG-3B
② ② ② ② ① ② ②

NO	CONTENTS	
① Refrigerant	H : R134a I : R600a No marking : R12	
② Motor type	PTC	100V Series F : RSIR E : RSCR C : CSIR B : CSR 220V Series S : RSIR P : RSCR K : CSIR D : CSR
	C-relay	100V Series R : RSIR N : CSIR 220V Series T : RSIR G : CSIR
③ Application	L : L B P H : H B P	
④ Grade of Cooling Capacity	(reference : table of capacity range)	
⑤ Series name	JE Y YE YH YG	
⑥ Voltage & Frequency	No marking : 100V 50/60Hz	
	1 : 110-115V 60Hz	5 : 220-240V 50Hz
	2 : 127V 60Hz	7 : 115-127V 60Hz
	3 : 110V 60Hz	8 : 220-240V 50Hz / 220V 60Hz
	4 : 220V 60Hz	9 : 110V 50Hz
⑦ Improvedata order		

Private Picture Copyright : WWW.MBSM.PRO

Model	Cooling Capacity			Efficiency			Motor Type	Cooling Type	NetWeight [kg]	OilQty. [cc]
	Kcal/h	Watt	Btu/h	EFF Kcal/Wh	COP W/W	EER Btu/Wh				
HPL21YE-5-K	155	180	615	1.00	1.16	3.97	RSCR	ST/OC/FC	9	290
HPL21YE-5-L	155	180	615	1.04	1.2	4.11	RSCR	ST/OC/FC	8.9	290
HSL21YE-5	155	180	615	1.04	1.21	4.13	RSIR	ST/OC/FC	9	290
HPL23YE-5	171	199	635	1.1	1.27	4.35	RSCR	ST/OC/FC	9.5	290
HPL23YE-5-K	171	199	679	1.14	1.19	4.52	RSCR	ST/OC/FC	9	290
HSL23YE-5	171	199	679	1.06	1.16	4.21	RSIR	ST/OC/FC	9.3	290
HGH23YE-5	581	676	2306	1.94	2.25	7.69	CSIR	OC/FC	9.3	290
HKL25YE-5	180	209	714	0.97	1.19	3.84	CSIR	ST/OC/FC	9.5	290
HPL25YE-5-K	180	209	714	1.22	1.29	4.86	RSCR	ST/OC/FC	9	290
HPL25YE-5-L	180	209	714	1.07	1.31	4.23	RSCR	ST/OC/FC	9	290
HGH25YE-5	631	734	2504	1.88	2.19	7.47	CSIR	OC/FC	9.5	290
HKL27YE-5	210	244	833	1.01	1.17	4.27	CSIR	ST/OC/FC	9.5	290
HPL27YE-5	210	244	833	1.01	1.31	4.63	RSCR	ST/OC/FC	9.5	290
HPL27YE-5-K	210	244	833	1.01	1.2	4.90	RSCR	ST/OC/FC	9	290
HSL27YE-5	210	244	833	1.01	1.2	4.32	RSIR	ST/OC/FC	9.5	290
HSL27YE-5A	210	244	833	1.01	1.22	4.32	RSIR	ST/OC/FC	9.5	290
HKH27YE-5	732	851	2817	1.92	2.23	7.61	CSIR	OC/FC	9.5	290
HSH27YE-5	732	851	2817	1.88	2.19	7.47	RSIR	OC/FC	9.5	290
HKL30YE-5	230	267	913	1.01	1.1	3.61	CSIR	ST/OC/FC	9.5	290
HPL30YE-5-K	230	267	913	1.01	1.28	4.75	RSCR	ST/OC/FC	9	290
HSL30YE-5	230	267	913	1.01	1.05	3.61	RSIR	ST/OC/FC	9.5	290
HSH30YE-5	780	907	3095	1.01	2.13	6.57	RSIR	OC/FC	9.5	290
HKL30YE-5	230	267	913	1.01	1.1	3.61	CSIR	ST/OC/FC	9.5	290
HPL30YE-5-K	230	267	913	1.01	1.28	4.41	RSCR	ST/OC/FC	9	290
HSL30YE-5	230	267	913	1.01	1.05	3.61	RSIR	ST/OC/FC	9.5	290

Private Picture Copyright : WWW.MBSM.PRO

2. ELECTRIC PARTS

1) COMPRESSOR

REFRIGERANT	R-12						
VOLTAGE(V/Hz)	110/60	115,120/60	127/60	220/60	220/50	230/50	240/50
COMP MODEL	X	X	CL23YE-2	PL21YE-4	SL27YE-5		
PART CODE	X	X	3957123A20	3956121A40	3954127A50		
STARTING TYPE	X	X	CSIR	RSCR	RSIR		

REFRIGERANT	R-134a						
VOLTAGE(V/Hz)	110/60	115,120/60	127/60	220/60	220/50	230/50	240/50
COMP MODEL	HEL18YH-1	<	HEL21YH-1	X	HPL23YH-5	<	<
PART CODE	3953118S10	<	3953121S10	X	3956123S50	<	<
STARTING TYPE	RSCR	<	RSCR	X	RSCR	<	<

2) RELAY

REFRIGERANT		R-12						
VOLTAGE(V/Hz)		110/60	115,120/60	127/60	220/60	220/50	230/50	240/50
ASSY	TYPE NAME	X	X	414THBYY-52	197SHBYY-52	232THBYY-52	<	<
	PART CODE	X	X	3018120700	3018118130	3018119970	<	<
PTC	RESISTANCE	X	X	S068	S330	S220	<	<
OVER LOAD	PART NAME	X	X	414THB	197SHB	232THB	<	<

Private Picture Copyright: WWW.MBSM.PRO



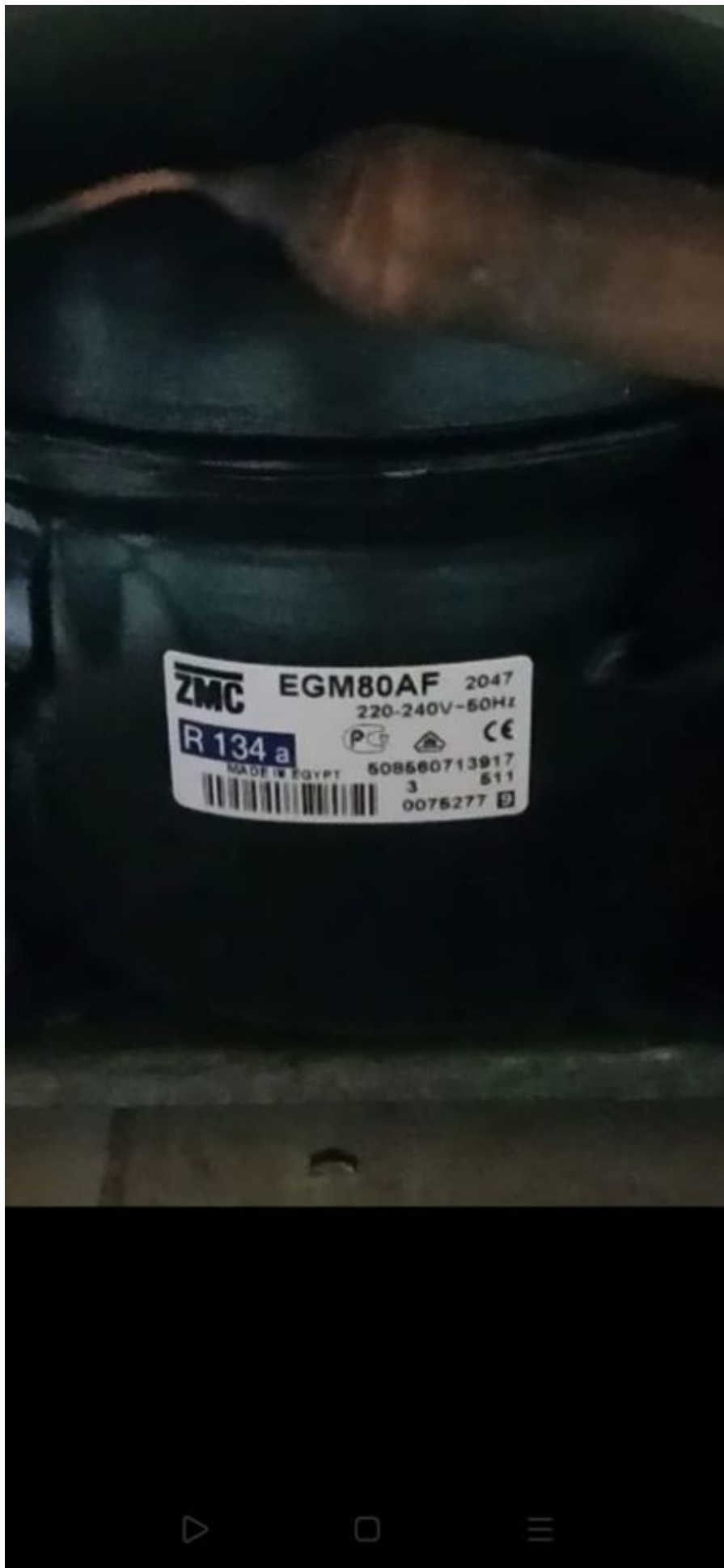
Private Picture Copyright: WWW.MBSM.PRO

Mbsm_dot_pro_private_PDF_HPL23YH-5Télécharger
Mbsm_dot_pro_private_PDF_HPL23YH-5-Télécharger
Mbsm_dot_pro_private_PDF_HPL23YH-5-2Télécharger
Mbsm_dot_pro_private_PDF_HPL23YH-5-3Télécharger

Mbsm.pro, PDF, Compressor, ZMC, 1/4
HP, LBP, RSIR / RSCR, GM 80 AF,
GM80AF, R-134

Category: Files

written by Lilianne | 16 January 2021



Mbsm.pro, PDF, Compressor, Hitachi,
Fl 0739 (90 Watts), Fl 0847 (105
Watts), Fl 1152 (125 Watts), Fl 1257
(150 Watts), Fl 1462 165 Watts), Fl
1675 (185 Watts), Fl 1888 (210
Watts), Fl 2088 (250 Watts)

Category: Files

written by Lilianne | 16 January 2021



Private Picture Copyright : WWW.MBSM.PRO

Mbsm_dot_pro_private_PDF_FL1462-SA_Hitachi-catalogueTélécharger

Mbsm_dot_pro_private_PDF_FL1462-

SA_Mbsm_dot_pro_private_PDF_P_COM008_105_spec-1Télécharger

Compressor, Hitachi, R134a, (série R012), FL1462-SA, HITACHI Brand , (Made in Thailand), 1/5 Hp, 160w, Fl 0739 (90 Watts), Fl 0847 (105 Watts), Fl 1152 (125 Watts), Fl 1257 (150 Watts), Fl 1462 165 Watts), Fl 1675 (185 Watts), Fl 1888 (210 Watts), Fl 2088 (250 Watts)

Category: compressor

written by Lilianne | 16 January 2021

HITACHI Brand (Thailand)

Model

Fl 0739 (90 Watts)

Fl 0847 (105 Watts)

Fl 1152 (125 Watts)

Fl 1257 (150 Watts)

Fl 1462 (165 Watts)

Fl 1675 (185 Watts)

Fl 1888 (210 Watts)

Fl 2088 (250 Watts)

Code No.	Model	HP	Capacity (W)	Current (A)	Efficiency COP (w/w)	Voltage / Frequency
R134a Models						
R012001	FL 06S34-TAB	1/12	85	0.70	0.93	220V – 240V / 50Hz
R012002	FL 0739-SQ	1/10	114	0.72	1.20	
R012003	FL 0847-SD	1/8	130	0.83	1.19	
R012005	FL 1152-SB	1/6	143	0.82	1.27	
R012006	FL 1257-SR	1/5	160	0.90	1.25	
R012007	FL 14S62-TAD	1/5	175	0.95	1.30	
R012008	FL 1568-SQ	1/4	200	1.11	1.30	
R012009	FL 20S88-TAC	1/3	255	1.50	1.25	
R012010	FL1888-SE	1/3	245	1.51	1.25	
R600a Models						
	CL 0545-SZ	1/12	62	0.70	1.12	220V – 240V / 50Hz
	CL 1297-SA	1/5	156	0.90	1.46	
	CL 1310-SA	1/5+	163	0.95	1.48	
R600a Models (Inverter)						
	CL 1588-DZ	1/6	134	0.83	1.62	220V – 240V / 50Hz
	CL 1610-DL	1/5	160	0.90	1.65	





WWW.MBSM.PRO

F L 14 62 - S B

Series name/Refrigerant

F = R134a
R = R404A
C = R600a

Application category:

L = Low back pressure
H = High back pressure

Development

A - Z = With oil charge
1 - 9 = With out oil charge

Sign	Output(W)	Sign	Output(W)
04	45	15	150
05	55	16	160
06	65	17	170
07	75	18	180
08	85	20	200
10	100	25	250
11	110	35	350
12	125	40	400
14	140	45	450

Sign	Phase/voltage/frequency	Sign	Phase/voltage/frequency
H	1Ø 100 V 50/60 Hz	S	1Ø 220 ~ 240 V 50 Hz
P	1Ø 110 V 120 V 60 Hz	D	1Ø 100 V 50/60 Hz
U	1Ø 127 V 60 Hz	T	3Ø 200 V 50/60 Hz
R	1Ø 200 ~ 220 V 60 Hz		

Sign	Displacement(Cm ³)	Sign	Displacement(Cm ³)
24	2.4	62	6.2
28	2.8	68	6.8
34	3.4	75	7.5
39	3.9	88	8.8
45	4.5	97	9.7
52	5.2	11	11.0
57	5.7		

Private Picture Copyright: WWW.MBSM.PRO

Mbsm_dot_pro_private_PDF_FL1462-SA_Hitachi-catalogueTélécharger
Mbsm_dot_pro_private_PDF_FL1462-
SA_Mbsm_dot_pro_private_PDF_P_COM008_105_specTélécharger

Mbsm.pro, PDF, GL80AF , ZEM, EGL80AF, Compressors , GD40AF 1/9 , GL45AF 1/8 , GL60AF, GL70AF , GL70ANa 1/5 ,GL70AND, GL80AF 1/5

Category: Files
written by Lilianne | 16 January 2021



Private Picture Copyright: WWW.MBSM.PRO

Mbsm_dot_pro_private_PDF_GLy80aaTélécharger
Mbsm_dot_pro_private_PDF_GLy80aa-compresseur-acc-cubigellTélécharger

GD36AD	3.62	1/12	LBP	S	115V 60Hz ~1	RSIR	P	C	30	47	68	0.65	150	80	0.85	6.1	Dj
GD36AFa	3.62	1/12	LBP	S	200-220/230V 50/60Hz ~1	RSIR	P	C	30	47	68	0.65	150	80	0.86	5.9	Dj
GD36AFb	3.62	1/12	LBP	S	200-220/230V 50/60Hz ~1	CSIR	R	C-V	30	47	68	0.65	150	80	0.86	5.9	Ds
GD40AF	4.06	1/10	LBP	S	200-220/220-230V 50/60Hz ~1	RSIR	P	C	36	54	77	0.70	172	91	0.91	6.8	Dd
GLY40ADa	4.02	1/9	LBP	S	115V 60Hz ~1	RSIR	P	C	46	65	91	0.97	208	107	1.26	9.0	Lb
GLY40ADb	4.02	1/9	LBP	S	115V 60Hz ~1	RSCR	P	C	46	65	91	1.02	208	107	1.32	9.0	Lb
GL45ADa	4.56	1/8	LBP	S	115V 60Hz ~1	RSIR	P	C	41	65	95	0.80	215	112	1.05	8.1	Lb
GL45ADb	4.56	1/8	LBP	S	115V 60Hz ~1	CSIR	R	C-V	41	65	95	0.80	215	112	1.05	8.1	Lb
GL45AF	4.56	1/8	LBP	S	200-220/220-230V 50/60Hz ~1	RSIR	P	C	42	65	94	0.76	215	111	0.99	9.0	Lb
GL45ANa	4.56	1/8	LBP	S	200-240/220-230V 50/60Hz ~1	RSIR	P	C	44	65	93	0.83	213	110	1.09	9.0	Lb
GLY50ADa	5.12	1/7	LBP	S	115V 60Hz ~1	RSIR	P	C	56	83	117	1.02	259	138	1.33	9.5	Lc
GLY50ADb	5.12	1/7	LBP	S	115V 60Hz ~1	RSCR	P	C	56	83	117	1.06	259	138	1.38	9.5	Lc
GL60ADa	5.46	1/6	LBP	S	115V 60Hz ~1	RSIR	P	C	65	95	132	0.85	290	155	1.10	9.1	Lb
GL60ADb	5.46	1/6	LBP	S	115V 60Hz ~1	CSIR	R	C-V	65	95	132	0.85	290	155	1.10	9.1	Lb
GL60AF	5.46	1/6	LBP	S	200-220/220-230V 50/60Hz ~1	RSIR	P	C	66	95	131	0.81	287	154	1.05	9.1	Lb
GL60ANa	5.46	1/6	LBP	S	200-240/220-230V 50/60Hz ~1	RSIR	P	C	68	95	131	0.88	285	153	1.15	9.9	Lc
GL60ANb	5.46	1/6	LBP	F	200-240/220-230V 50/60Hz ~1	CSIR	R	C-V	68	95	131	0.88	285	153	1.15	9.9	Lc
GL60ANc	5.46	1/6	LBP	S	200-240/220-230V 50/60Hz ~1	CSIR	R	C-V	68	95	131	0.88	285	153	1.15	9.9	Lc
GL60ANd	5.46	1/6	LBP	OC	200-240/220-230V 50/60Hz ~1	RSIR	P	C	68	95	131	0.88	285	153	1.15	10.0	Lc
GL60BK	5.46	1/6	LBP	OC	115V 60Hz ~1	RSCR	P	C	66	95	132	0.84	290	155	1.10	10.0	Lc
GL70ADa	5.98	1/5	LBP	S	115V 60Hz ~1	RSIR	P	C	79	109	148	0.86	322	173	1.12	9.6	Lc
GL70ADb	5.98	1/5	LBP	S	115V 60Hz ~1	CSIR	R	C-V	79	109	148	0.86	322	173	1.12	9.6	Lb
GL70ANa	5.98	1/5	LBP	S	200-220/220-230V 50/60Hz ~1	RSIR	P	C	81	111	150	0.90	323	175	1.17	10.1	Lc
GL70ANb	5.98	1/5	LBP	F	200-220/220-230V 50/60Hz ~1	CSIR	R	C-V	81	111	150	0.90	323	175	1.17	10.1	Lc
GL70ANc	5.98	1/5	LBP	S	200-220/220-230V 50/60Hz ~1	CSIR	R	C-V	81	111	150	0.90	323	175	1.17	10.1	Lc
GL70ANd	5.98	1/5	LBP	OC	200-220/220-230V 50/60Hz ~1	RSIR	P	C	80	110	150	0.90	323	175	1.17	10.4	Ld

Sangchai refrigeration, Fl series, Rl series, Cl series, Hitachi Compressor, FL1675-sc, 1/5 Hp, R-134A, Low back pressure, 160 w, Deplacement 7.5 cm cube, 220-240 v 50 hz

Category: compressor

written by Lilianne | 16 January 2021

Sangchai refrigeration, Fl series, Rl series, Cl series, Hitachi Compressor, FL1675-sc, 1/5 Hp, R-134A, Low back pressure, 160 w, Deplacement 7.5, 220-240 v 50 hz



Hitachi Hermetic Compressors

FL Series

STANDARD MODEL

Application & Refrigerant LBP R134a

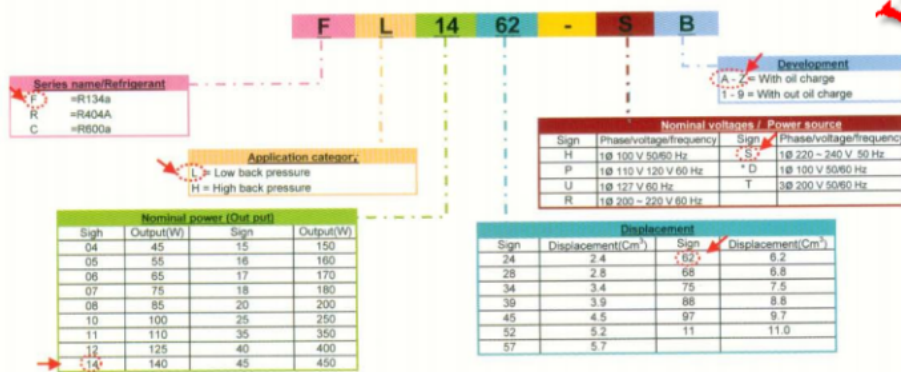
Model	Nominal Power		Cooling Capacity				D	Cooling			O	Wg	Motor Type	Power Source					Dimension
	HP	W	Hz	W	Kcal/h	BTU/h		cm3	N	Oil				Fan	cm3	Kg	1	2	
FL0634	1/12	65	50	78	67	266	3.42				200	6.8		•				•	Type1-165
			60	90	77	307								•	•	•			
FL0739	1/10	75	50	95	82	324	3.94				270	7.8		•			•	Type1-179	
			60	108	93	368								•	•	•			
FL0845	1/8	85	50	105	90	358	4.50				270	8.1	RSIR	•			•	Type1-179	
			60	118	101	403								•	•	•			
FL1052	1/6	100	50	120	103	409	5.19	•			240	8.3	CSIR	•			•	Type1-195	
			60	140	120	478								•	•	•			
FL1157	1/6	110	50	135	116	461	5.70				240	8.7		•			•	Type1-195	
			60	158	136	539								•	•	•			
FL1262	1/5	125	50	150	129	512	6.23	•			320	9.5		•			•	Type2-200	
			60	170	146	580								•	•	•			
FL1675	1/5	160	50	185	159	631	7.47		•	•	300	10.6		•			•	Type3-211	
			60	210	181	717								•	•	•			
FL1888	1/4	180	50	215	185	734	8.83		•	•	300	11.1		•			•	Type4-216	
			60	250	215	853								•	•	•			

Private Picture Copyright : WWW.MBSM.PRO



Private Picture Copyright : WWW.MBSM.PRO

Detail of Label



Private Picture Copyright: WWW.MBSM.PRO

Mbsm_dot_pro_private_PDF_Hitachi-catalogueTélécharger
Mbsm_dot_pro_private_PDF_FL1675Télécharger

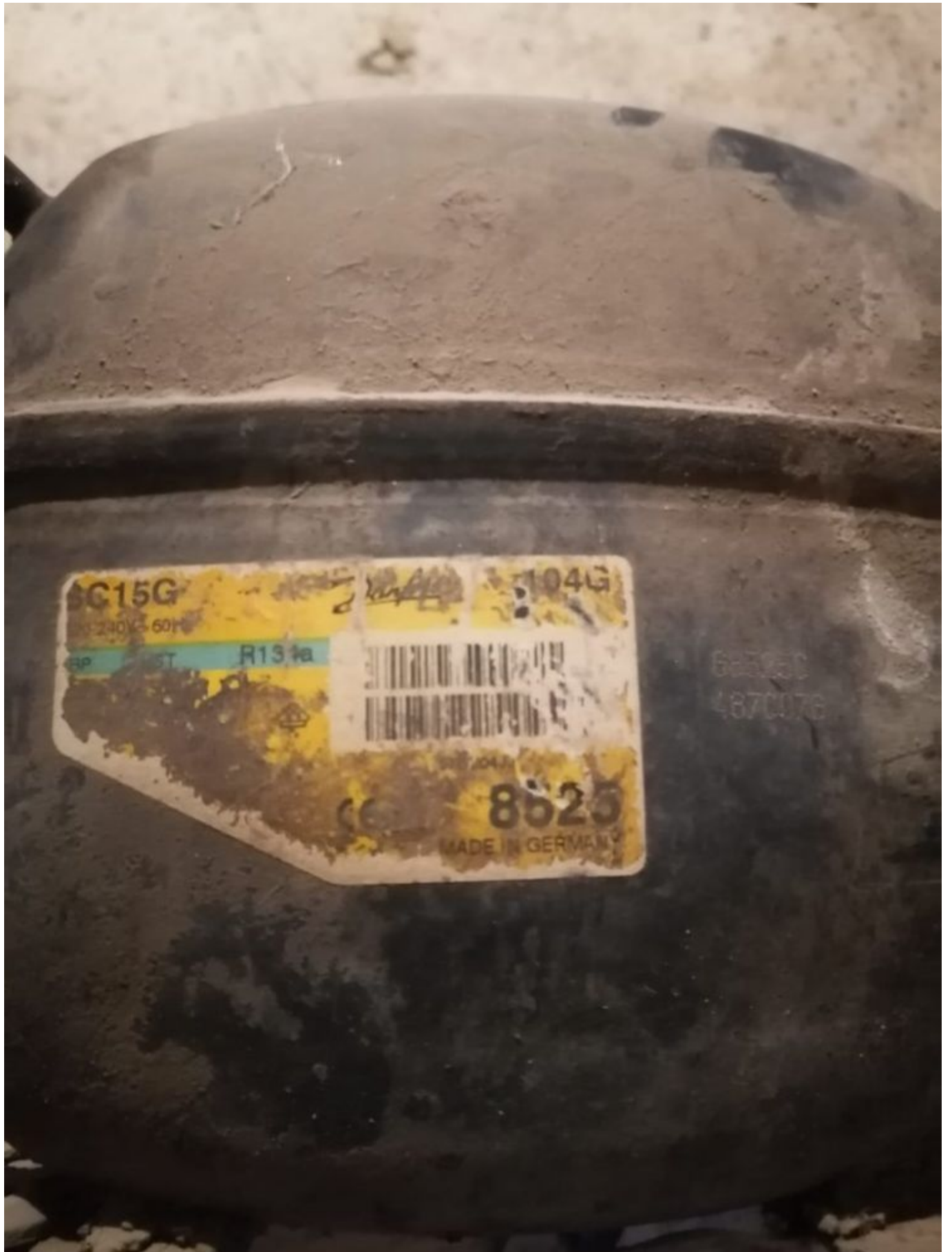
Compresseur, Danfoss, SC15G, R134a, 1/2HP, 50/60Hz

Category: compressor
written by Lilianne | 16 January 2021

Données techniques

- Modèle: **SC15G**
- Gaz: **R-134a**
- Température/Pression: **Moyenne / Haute**
- Puissance: **1/2 HP**
- Voltage: **230 V**
- Type De Courant: **Monophasé**
- Fréquence: **50/60 Hz**
- Type De Compresseur: **Hermétique**
- Décalage: **15.28 cm³**
- Cons.Énergie -25°C: **233 W**
- Cons.Énergie -10°C: **440 W**
- Cons.Énergie -5°C: **497 W**
- Cons.Énergie 0°C: **549 W**
- Cons.Énergie +5°C: **595 W**
- Cons.Énergie +7,2°C: **613 W**
- T° De Condensation: **55 °C**
- Capacité Frigorífica -25°C: **175 Kcal/h**
- Capacité Frigorífica -20°C: **308 Kcal/h**
- Capacité Frigorífica -15°C: **450 Kcal/h**
- Capacité Frigorífica -10°C: **604 Kcal/h**

- Capacidad Frigorífica -5°C: **775 Kcal/h**
- Capacidad Frigorífica 0°C: **966 Kcal/h**
- Capacidad Frigorífica 5°C: **1184 Kcal/h**
- Capacidad Frigorífica 7.2°C: **1289 Kcal/h**
- Capacidad Frigorífica 10°C: **1431 Kcal/h**
- Tipo Test: **Ashare 32**



Design

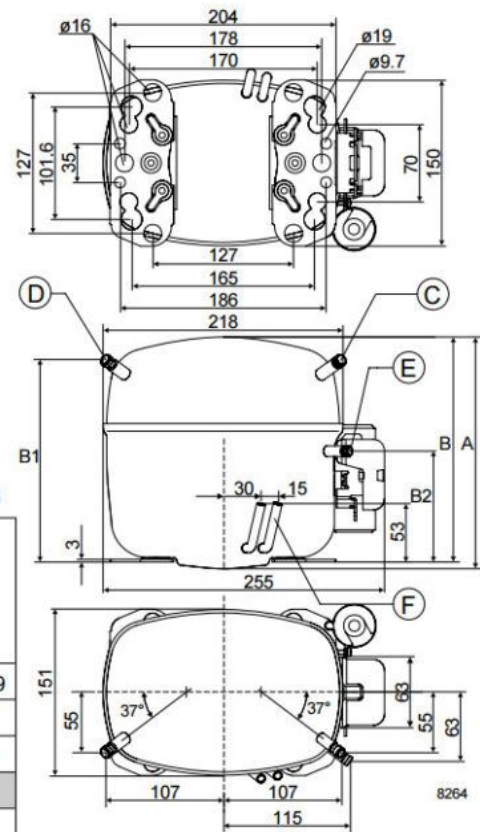
Displacement	cm ³	15.28
Oil quantity	cm ³	600 (550 on comp. with oil cooler)
Maximum refrigerant charge	g	1300
Free gas vol. in compressor	cm ³	1410
Weight without electrical equipment	kg	13.1

Motor

Motor size	watt	385
LRA (rated after 4 sec. UL984) HST	A	14.8
Cut-in current HST	A	14.8
Resistance, main and start winding (25°C)	Ω	5.0/13.7
Approvals		EN 60335-2-34

Dimensions

		104G8530	104G8520	104G8525
Height	mm	A	209	
		B	203	
		B1	183	
		B2	100	
Suction connector	location/I.D. mm	C 10.2 ±0.09	10.2 ±0.09	10.2 ±0.09
Process connector	location/I.D. mm	D 6.2 ±0.09	6.2 ±0.09	6.5 ±0.09
Discharge connector	location/I.D. mm	E 6.2 ±0.09	6.2 ±0.09	6.5 ±0.09
Oil cooler	location/I.D. mm	F 6.2 ±0.09		
Compressors on a pallet	pcs.	80		



Private Picture Copyright : WWW.MBSM.PRO

Mbsm_dot_pro_private_PDF_sc15gTélécharger

Mbsm_dot_pro_private_PDF_sc15g_104g7560_r134a_115v_60hz_01-2020_desd404o322Télécharger

Mbsm_dot_pro_private_PDF_sc15g_104g8526_r134a_220v_60hz_01-2020_desd403j302Télécharger

EMX66CTC, Embraco, compresseurs, 183w, 240v / 50 1/4 HP, R600A, hermétiques, HVAC, + Ptc, Alu, Hotpoint, Indesit, Whirlpool, LBP, Cylindrée (cm³)10,61

Category: compressor

written by Lilianne | 16 January 2021

catégorie de produit

Compresseurs de réfrigération et compresseurs de climatisation

Capacité

0,14 kW (0,1840 ch)

Évaluation du réfrigérant

R-600a

EER

1,18

Source d'énergie

230/50/1

Options de réfrigérant

R-600a

Ce produit est compatible avec les modèles suivants : RSZ 3032 V L BSZ 3032 V BAAAAAN 10 SBL 2031 V/HA UPS 1721 F/HA UFAAN 400 NF UPS 1721 F J/HA UPS 1721 F J/HA UPS 1722 F J/HA CAA 55 BAAAAAN 12 SBL 2030 V/HA IUPS 1722 F J IUPS 1722 F J IUPS 1721 F J EXFL 2010 P FFFL 2010 K EXFL 2010 G SBL 203A V CAA 55 NX BIAAAA 12 NCAA 55 NCAA 55 NX BIAAAA 10 X BIAAAA 10 UIAA 12 F UIAA 22 Y UIAA 12 F R (UK) UIAA 10 F EBYH 20320 V EBL 20311 V EBL 20321 V EBLH 18311 V 03 EBYH 18321 V NCAA 55 (UK) CAA 55 (UK) CAA 55 K (UK) CAA 55 S (UK) UPSY 1721 F J UPSY 1722 F J FZFM 151 G FZFM 151 P FZFM 171 P FZFM 171 G HSZ3022VL HSZ3022VL BIAA 33 F SI Y BIAA 33 F X H Y RFAA52P RFAA52S RFAA52K EBYH 18242 F EBYH 18242 F EBYH 18201 F EBYH 18201 F UIA 12 (EX) UIA 12 S (EX) FFUL 2012 P FFUL 2012 X FFUL 2012 X BIAAAA 12 X HM325NI IN C 325 AA UK STF200WP NCAA 55 S (UK) EBYH 18213 F 03 H 18223 F 03 EBYH 18223 F 03 STF200WG FUFL 2010 P EBLH 18301 V 03 FZFM 171 SB NBIAAAA 10 NRFAA50S NRFAA50P EBMH 17321 NX NCAA 55 K UK CAA 55 NX UK FFFL 2013 P (03) FFFL 2013 P (03) FFFL 2013 X L 2013 X (03) EBY 18211 F BIAAAA 12 UK IUPSY 1722 F J DBIAA 344 F UK UPS 1521.1 RZFM 151 P.1 RZFM 151 G.1 UPS 1521 (TK).1 FFUL 2012 G UIAA 10 (TK).1 UIAA 12 S.1 NUIAA 12.1 UIAA 12 S (UK).1 UIAA 10 S.1 UIAA 12.1 UIAA 12.1 UIAA 10. 12 (UK).1 UIAA 10 (UK).1 UIAA 10.1 BCZ L 400 X (BI)/HA HTF200WP HTF200WG UPS 1746.1 T IN C 425 AA UK FFFL 2012 P FFFL 2012 G AFAA 52 P AI AFAA 52 K AI AFAA 52 S AI CAA 55 S NCAA 55 K EBYH 18242 D F YH 18242 D F ECORM 172 P ECOFL 2010 G ECOFL 2010 G ECOFL 2010 P ECOFL 2010 P BIAAAA 12P X NBIAAAA 10P BIAAAA 12P BIAAAA 10P X BIAAAA 12P UK BIAAAA 10P HM325NI AI UPS 1521 F (TK) NEBYH 18242 F UIAA 12 F I X UX UIX UIX IAA 12 F I UPSI 1721 F/HA UPSI 1721 F (TK)/HA UPSI 1722 F J/HA UPSI 1722 J FSFL 2010 P FZFI 171 G FZFI 171 P UPSO 1722 F J UPSO 1721 F J IUPS0 1721 F J et plus.



Private Picture Copyright : WWW.MBSM.PRO

COOLING CAPACITY CECDMAF							WEIGHT kg	MAX HEIGHT A mm	LRA A	COOLING TYPE	FAN AIR FLOW m ³ /h	OIL		EXP DEVICE	DRAWINGS		MODEL
CONDENSING TEMPERATURE °C	EVAPORATING TEMPERATURE °C W											CHARGE cm ³	TYPE		EXTERNAL VIEW REFERENCE	WIRING DIAGRAM REFERENCE	
	-30	-25	-20	-15	-10	-5											
55	36	49	64	82	102	126	7,1	166	2,1	S	-	150	AB 5	C	DWG01	SM01	EMX20CLC
45	44	58	76	96	119	146											
55	43	59	80	104	133	165	7,1	166	-	S	-	150	AB 5	C	DWG01	SM01	EMX26CLC
45	53	72	96	124	156	192											
55	49	69	92	119	151	189	7,3	166	3,3	S	-	150	AB 5	C	DWG01	SM01	EMX32CLC
45	64	86	111	141	176	218											
55	-	-	-	-	-	-	7,7	171	6,8	S/F	270	150	AB 5	C/V	DWG01	SM00-SM01	EMX3109Y
45	-	-	-	-	-	-											
55	78	107	142	187	233	260	7,7	171	3,4	S	-	150	AB 5	C	DWG01	SM02	EMC40CLT
45	88	118	154	198	248	300											
55	88	119	158	203	256	280	7,1	166	-	S	-	150	AB 2	C	DWG01	SM02	EMC46CLT
45	96	129	169	215	269	310											
55	-	-	-	-	-	-	8	171	11,6	S/F	270	150	AB 5	C/V	DWG01	SM01	EMX3113Y
45	-	-	-	-	-	-											
55	87	117	154	197	245	303	7,6	166	-	S	-	150	AB 5	C	DWG01	SM01	EMX55CLC
45	102	135	175	222	277	339											
55	-	-	-	-	-	-	7,7	166	14,1	S/F	270	150	AB 5	C/V	DWG01	SM01	EMX3115Y
45	-	-	-	-	-	-											
55	101	137	178	227	284	348	7,4	166	6,4	S	-	150	AB 5	C	DWG01	SM01	EMX66CLC
45	122	160	207	261	323	394											
55	103	143	184	233	290	360	7,4	166	6	S	-	150	AB 5	C	DWG01	SM01	EMX70CLC
45	123	164	210	263	327	403											
55	-	-	-	-	-	-	7,7	166	14,1	S/F	270	150	AB 5	C/V	DWG01	SM01	EMX3118Y
45	-	-	-	-	-	-											
55	-	-	-	-	-	-	7,7	171	7,8	S/F	270	150	AB 5	C/V	DWG01	SM00	EMY3118Y

Private Picture Copyright : WWW.MBSM.PRO

MODEL	DISPL. cm³	HP	VOLTAGE/FREQUENCY	MOTOR TYPE	TORQUE	APPLICATION	RATED POINT - ASHRAE -23,3 °C / 54,4 °C		RATED POINT - CECOMAP +25 °C / 55 °C		CONDENSING TEMPERATURE °C	EVAPORATING		
							CAPACITY W	EFFICIENCY W/W	CAPACITY W	EFFICIENCY W/W		-30	-25	-20
EMX20CLC	4,0	1/14	220-240V 50Hz 1 -	RSCR	LST	LBP	63	1,66	48	1,3	55	36	49	64
											45	44	58	76
EMX26CLC	5,2	1/12	220-240V 50Hz 1 -	RSCR	LST	LBP	81	1,68	60	1,32	55	43	59	80
											45	53	72	96
EMX32CLC	6,0	1/10	220-240V 50Hz 1 -	RSCR	LST	LBP	92	1,72	69	1,35	55	49	69	92
											45	64	86	111
EMX3109Y	6,2	1/10	100V 50Hz / 100-127V 60Hz 1 -	RSIR/RSCR	LST	L/MBP	100	1,68	-	-	55	-	-	-
											45	-	-	-
EMC40CLT	7,2	1/8	220-240V 50Hz 1 -	RSCR	LST	LBP	117	1,79	87	1,4	55	78	107	142
											45	88	118	154
EMC46CLT	8,0	1/7	220-240V 50Hz 1 -	RSCR	LST	LBP	133	1,8	98	1,37	55	88	119	158
											45	95	129	169
EMX3113Y	9,0	1/7	100V 50Hz / 100-127V 60Hz 1 -	RSCR	LST	L/MBP	155	1,75	-	-	55	-	-	-
											45	-	-	-
EMX55CLC	9,0	1/6	220-240V 50Hz 1 -	RSCR	LST	LBP	156	1,74	117	1,37	55	87	117	154
											45	102	135	175
EMX3115Y	10,6	1/5	100V 50Hz / 100-127V 60Hz 1 -	RSCR	LST	L/MBP	184	1,67	-	-	55	-	-	-
											45	-	-	-
EMX66CLC	10,6	1/5	220-240V 50Hz 1 -	RSCR	LST	LBP	183	1,73	137	1,37	55	101	137	178
											45	122	160	207
EMX70CLC	11,1	1/5	220-240V 50Hz 1 -	RSCR	LST	LBP	191	1,71	143	1,34	55	103	143	184
											45	123	164	210
EMX3118Y	12,2	1/5	100V 50Hz / 100-127V 60Hz 1 -	RSCR	LST	L/MBP	212	1,66	-	-	55	-	-	-
											45	-	-	-
EMV3118Y	12,2	1/5	220-240V 50Hz 1 -	RSIR	LST	L/MBP	212	1,49	157	1,16	55	-	-	-
											45	-	-	-
EMV3118Y	12,2	1/5	220-240V 50Hz 1 -	RSCR	LST	L/MBP	213	1,58	158	1,23	55	-	-	-
											45	-	-	-
EMX3118Y	12,2	1/5	220-240V 50Hz 1 -	RSCR	LST	L/MBP	214	1,72	159	1,34	55	-	-	-
											45	-	-	-

Private Picture Copyright : WWW.MBSM.PRO

Mbsm_dot_pro_private_PDF_emx66clc-1-embraco-compressors-10-2019Télécharger
Mbsm_dot_pro_private_PDF_emx66clc-2-embraco-compressors-10-2019Télécharger

COMPRESSEUR, RÉFRIGÉRATION, 1/5 HP, ZR57AA, RSCR, Condensateur Run, LBP, 166 W, R134a

Category: compressor

written by Lilianne | 16 January 2021

Modèle ZR57AA (1 / 5HP)

Caractéristiques

Type de moteur RSCR (Condensateur Run) LBP
Volt 220 à 240 V, 50 Hz
Capacité de refroidissement 166 W
FLIC 1,48
La puissance d'entrée 112 W
Courant évalué 0,62 ampères
Réfrigérant R134a



Private Picture Copyright : WWW.MBSM.PRO



Private Picture Copyright : WWW.MBSM.PRO



Private Picture Copyright : WWW.MBSM.PRO



Private Picture Copyright : WWW.MBSM.PRO



Private Picture Copyright : WWW.MBSM.PRO

Mbsm_dot_pro_private_PDF_ZR57AATélécharger

1/5 HP Zero Refrigeration Compressor

Model ZR57AA (1/5HP)

Specifications

Motor Type RSCR (Capacitor run) LBP
Volt 220-240V, 50Hz
Cooling Capacity 166W
COP 1,48
Input Power 112W
Rated Current 0,62 Amps
Refrigerant R134a

***Each unit is securely packaged in a sealed box**



Fitment Parts Supplied With Each Unit



Partlist	Model/Spec	Qty
Relay Cover		1
Relay Cover Clip		1
Earth Screw	M4 x 8	1
Rubber Grommet		4
Sleeve		4
Washer		4
Screw	M6 x 30	4
Hexagon Nut	M6	4
Motor Protector	BT64-120A61D3	1
PTC Relay	QP2-15EC	1
Capacitor	4uf	1