

**Compressor ELECTROLUX,
CUBIGEL , GP12TB , Hermetic
piston , ACC , HMBP , moteur HP
, 3/8 HP++, 1/2 hp- , 1PH ,
R134A , Pression 1.7 Bar ,
220V**

written by Lilianne | 29 April 2020

	Model	Refr.	HP
▶ <input type="checkbox"/>	<u>GL45PB</u>	HMBP::R134a	1/6
▶ <input type="checkbox"/>	<u>GL45PB</u>	HMBP::R134a	1/6
▶ <input type="checkbox"/>	<u>GL45TB</u>	HMBP::R134a	1/6
▶ <input type="checkbox"/>	<u>GL60PB</u>	HMBP::R134a	1/5
▶ <input type="checkbox"/>	<u>GL60TB</u>	HMBP::R134a	1/5
▶ <input type="checkbox"/>	<u>GL80PB</u>	HMBP::R134a	1/5
▶ <input type="checkbox"/>	<u>GL80TB</u>	HMBP::R134a	F
▶ <input type="checkbox"/>	<u>GL90TB</u>	HMBP::R134a	1/4
▶ <input type="checkbox"/>	<u>GP12TB</u>	HMBP::R134a	3/8

PictureS Mbsm Dot Pro : www.mbsm.pro

Private Picture Copyright : WWW.MBSM.PRO

Compressor ELECTROLUX, CUBIGEL GP12TB ,Hermetic piston ,ACC ,HMBP , moteur HP , 3/8 HP , 1PH , R134A , Pression 1.7 Bar

Mbsm.pro , Compressor ESC 8.5, R134a, Necchi (530591) , 1/5 Hp ,159 w

written by Jamila | 29 April 2020

Mbsm.pro , Compressor ESC 8.5, R134a, Necchi (530591) , 1/5 Hp
,159 w

	Motore	cm³	Volt	Watt -10°C	Watt -30°C	
RIB5150	A9EV – R22 – 3/8 – LBP	CSR	9,29	220	642	
RIB5160	A11EV – R22 – 1/2 Hp – LBP	CSR	11,11	220	781	
RIB5350	A13EV – R22 – 5/8 Hp – LBP	CSR	13,35	220	967	
RIB5450	N17EV – R22 – 3/4 Hp – LBP	CSR	17,52	220	1221	
RIB5550	N21EV – R22 -1- Hp LBP	CSR	20,68	220	1464	
RIB5650	N23EV – R22 – 1,2 Hp – LBP	CSR	23,18	230	1616	
RIB7104	NB4 COMPRESS. R12 24V. FRAMEC 1/8 =					
RIB7108	NB8 COMPRESS. R12 24V.FRAMEC 175W.=					
RIB7113	NB13HP COMPRESS.R12 24V.FRAMEC 1/3=					
RIBB010	ETR 3 – R134A – 1/12 Hp – LBP	RSIR	3,00	220	127	

RIBB020	ETR 3,5 HP 1/10 R134A – LBP	RSIR	3,50	220	156	
RIBB030	ETR 4 HP 1/8 R134A – LBP	RSIR	4,10	220	179	
RIBB040	ETR 5 – R134a – HP 1/6 – LBP	RSIR	5,12	220	231	
RIBB050	ETR5,5 – R134a – 1/6 Hp – LBP	RSIR	5,55	220	257	
RIBB080	ESC5 – R134a – 1/6 Hp – LBP	RSIR	5,12	220	222	
RIBB100	ESC7 – R134a – 1/5 Hp – LBP	RSIR	7,00	220	307	
RIBB110	ESC8 – R134a – 1/5 Hp – LBP	RSIR	7,75	220	358	
RIBB130	ESC9 – R134a – 1/4 Hp – LBP	RSIR	9,07	220	424	
RIBB140	ESC11 – R134a – 1/3 Hp – LBP	RSIR	10,63	220	501	
RIBB200	ESC4H – R134a – 1/8 Hp – LBP	RSIR	4,10	220	177	
RIBB400	ESR 7 – R134a – 1/5 Hp – LBP	RSIR	7,00	220	307	
RIBB410	ESR 8 – R134a – 1/5 Hp – LBP	RSIR	7,75	220	358	
RIBB430	ESR 9 – R134a – 1/4 Hp – LBP	RSIR	9,07	220	424	
RIBB440	ESR11 – R134a – 1/3 Hp – LBP	RSIR	10,63	220	501	
RIBE040	TN17EV – R404 – 3/4 Hp – LBP	CSR	17,52	220		565
RIBE050	TN21EV – R404 – 1 Hp – LBP	CSR	20,68	220		644

RIBE060	TN23EV – R404 – 1,2 Hp – LBP	CSR	23,18	220		726
RIBT999	COMPRESSORE ELECTROLUX DESCR. BOLLA					



Verdichter Type	Kälte- mittel	Bereich	1)Betrieb	2)Leistungs- aufnahme Watt	3)Strom- aufnahme A	Öl- füllung cm ³	Bestell-Nr.	
mit Esterölfüllung								
*ETR 3	-	R 134 a	LBP	K	68	0,55	185	*230.051
*ETR 3,5	-	R 134 a	LBP	K	81	0,58	185	*230.053
*ETR 4	-	R 134 a	LBP	K	89	0,64	185	*230.055
*ETR 5	-	R 134 a	LBP	K	109	0,76	185	*230.057
*ETR 5,5	-	R 134 a	LBP	K	118	0,80	185	*230.059
*ESR 7	ESC 7	R 134 a	LBP	K	127	0,83	220	*230.073
*ESR 8	ESC 8	R 134 a	LBP	K	149	1,00	220	*230.075
*ESR 8,5	ESC 8,5	R 134 a	LBP	K	159	1,07	220	*230.077
*ESR 9	ESC 9	R 134 a	LBP	K	177	1,20	220	*230.079
*ESR 11	ESC 11	R 134 a	LBP	K	215	1,42	220	*230.081
ETR 4H	ES(C)R4H	R 134 a	HBP	K	187	1,13	185	-
ETR 5H	ES(C)R5H	R 134 a	HBP	K	231	1,30	185	-
ESR 7H	ESC 7H	R 134 a	HBP	K	208	1,61	220	-
ESR 9H	ESC 9H	R 134 a	HBP	K	396	2,31	220	-
ESR 11H	ESC 11H	R 134 a	HBP	K	472	2,64	220	-
TA 13 EV	-	R 404 A	LBP	K/E	463	2,15	950	230.095
TN 17 EV	-	R 404 A	LBP	K/E	627	2,83	950	230.097
TN 21 EV	-	R 404 A	LBP	K/E	727	3,61	950	230.099

PictureS Mbsm Dot Pro : www.mbsm.pro

Mbsm.pro, GL90TB, COMPRESSEUR ACC CUBIGEL ELECTROLUX, R134A, 1/4HP 230V

written by Jamila | 29 April 2020



PictureS Mbsm Dot Pro : www.mbsm.pro

Mbsm.pro, GL90TB, COMPRESSEUR ACC CUBIGEL ELECTROLUX, R134A, 1/4HP 230V

- Puissance en cheval 1/4 CV
- Alimentation 220-240 V 50 Hz
- Gaz R134a HMBP
- Cylindrée du compresseur 8,8 cm³
- Température d'utilisation max. 32°C

- Complet avec starter, condensateur, boîtier et système de fixation

La photo montre l'aspect du compresseur, pas son étiquette réelle



Codes fabricants

- ACC-GL90TB
- ALPENINOX-83718
- ANGELO P0-34D6510
- CEM-340
- CUBIGEL-GL90TB
- DEXION-022260-00
- ELECTROLUX-83718
- FRIULINOX-995783
- ICEMATIC-19165548
- MARENO-25016599
- MONDIAL ELITE-4106073
- MONDIAL ELITE-4106073+1147212
- NECTA VENDING-986934
- ZANUSSI-83718

Documentation technique du compresseur frigorifique

Cubigel *regarder en dessous*



PictureS Mbsm Dot Pro : www.mbsm.pro

**Mbsm.pro , Compressor ACC
,Cubigel Huayi, Electrolux
ZEM, GP12TG, HMBP-R134a,
220-230V ,50/60Hz, 3.8 HP**

written by Jamila | 29 April 2020

Mbsm.pro , Compressor ACC ,Cubigel Huayi, Electrolux ZEM,
GP12TG, HMBP-R134a, 220-230V ,50/60Hz, 3.8 HP



COMPRESSOR

Displacement (cm ³)	12
Diameter (mm)	29.37
Stroke (mm)	17.8
Net Weight (Kg)	11.2
Oil type	ISO VG 22 ESTER
Oil charge (cm ³)	400

MOTOR

Approximate Power (CV)	3/8
Voltage/Frequency (V/Hz)	200V 50Hz
Voltage range (V)	170-242
Code	61.575
Type	CSIR
Phase number	1 PH
Locked rotor current (A)	16.0
Main W. resist. at 25°C (Ω)	4.59
Start W. resist. at 25°C (Ω)	16.52

APPLICATION

Application	High/Mid. back pressure
Refrigerant	R134a
Evaporating (°C)	-25 to 10
Expansion	Capillar/Valve
Comp. cooling	Fan cooled
Max. ambient temp. (°C)	43

NOMINAL PERFORMANCE	CYCLE C	CYCLE D
Cooling capacity (kcal/h)	768	920
Input power (W)	505	530
EER (kcal/Wh)	1.52	1.73
COP (W/W)	1.76	2.01
Current (A)	3.29	3.39

TEST CONDITIONS

Evaporating temp. (°C)	5.0	7.2
Condensing temp. (°C)	55.0	55.0
Liq. t. entering expan. (°C)	55.0	46.0
Ambient t. and return (°C)	32.0	35.0
Tens/Freq (V/Hz)	200V 50Hz	200V 50Hz

ELECTRICAL COMPONENTS

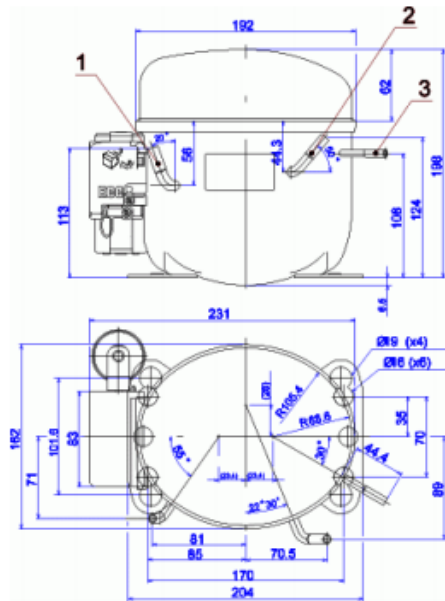
Relay	2014 149.
Pick-Up (A)	7.80



ELECTRICAL COMPONENTS

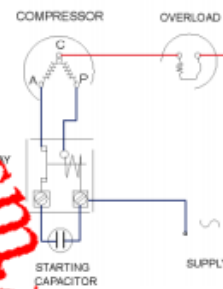
Relay	2014 149.	
Pick-Up (A)	7.80	
Drop-Out (A)	6.65	
Protector	MRT20APK	T0188
Current (A)	13.2	12.3
Time check (seg)	7.5-14	7.5-14
Disc temp. (Open/Close) (°C)	105.0 / 61.0	115.0 / 61.0
Starting capacitor (μF/V/FV)	47- 56 / 330	

DIMENSIONS AND ELECTRICAL DIAGRAM



DESIGNATION	INTERNAL DIAM. (MM)
1 Suction/Service	8,1
2 Service/Suction	8,1
3 Discharge	6,5

CSIR



www.mbsm.pro, Electrolux GL75AA Refrigerator 1/5 HP, Compressor Cooling solution for Refrigerators

written by Jamila | 29 April 2020



Picture5 Mbsm Dot Pro : www.mbsm.pro

www.mbsm.pro, Electrolux GL75AA Refrigerator 1/5 HP,
Compressor Cooling solution for Refrigerators