

Compressor, FLB075LBNA, LG-Original New Linear Refrigerator Compressor, LG-compressor, Inverter 0~220V 53Hz, R134a(165g), LSXC22386, LSXC22326, LSXC22336, 1/4HP

written by Lilianne | 17 October 2021

FLS075LANA is the new **compressor** model number It replaces these older **LG/Kenmore Elite compressor** versions: FC75LBNA
FLA075LANA FLB075LANA **FLB075LBNA**

Compressor Fls075lana_replacement A: Fla075lana, Flb075lana

Compressor, FLB075LBNA, LG-Original New Linear Refrigerator Compressor, LG-compressor, Inverter 0~220V 53Hz, R134a(165g), LSXC22386, LSXC22326, LSXC22336, 1/4HP

New version LG Compressor part # TCA38091801 & Software Jig TCA35911910

Compressor has a purple decal and red decal on top warning about the software update.

FLS075LANA is the new compressor model number

It replaces these older LG/Kenmore Elite compressor versions:

FC75LBNA

FLA075LANA

FLB075LANA

FLB075LBNA







SEARS BRANDS
MANAGEMENT CORPORATION
HOFFMAN ESTATES, IL 60179

HOUSEHOLD REFRIGERATOR/
REFRIGÉRATEUR MENAGERE

MODEL/MODÈLE :  **795.73153.610**

RATING/CAPACITÉ NOMINALE **115V ~ 60Hz 2.9A**

REFRIGERANT/RÉFRIGÉRANT **R134a 5.11oz**

DEFROSTING INPUT / PUISSANCE ABSORBÉE EN DÉGIVRAGE **360W**

POWER INPUT OF DEFROST HEATER /
PUISSANCE ABSORBÉE DE LA RÉSISTANCE DE DÉGIVRAGE

FREEZER/CONGÉLATEUR **350W**

PRODUCTION DATE / DATE DE PRODUCTION **2016.04**

DIMENSIONS **35 3/4(W) x 36 1/4(D) x 70 1/4(H) inch**

DESIGN PRESSURES/ HIGH SIDE/ CÔTÉ SUPÉRIEUR **400PSI Ga**

PRESSION DE DESSIN LOW SIDE/ CÔTÉ INFÉRIEUR **140PSI Ga**

SER.No./NO.DE SÉRIE:

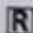
MADE IN KOREA
FABRIQUÉ EN CORÉE



604KR00971



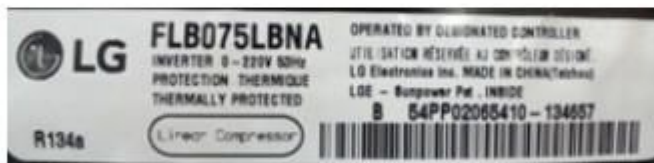
For SEARS REPAIR SERVICE
CALL 1-844-553-6667
AU CANADA POUR SERVICE EN
FRANÇAIS 1-800-LE-FOYERSM
24HOURS A DAY,
7 DAYS A WEEK FOR SEARS
REPAIR SERVICE
LE SERVICE DE REPARATION
SEARS CANADA
VINGT-QUATRE HEURES PAR JOUR,
SEPT JOURS PAR SEMAINE.

TAB37097603 

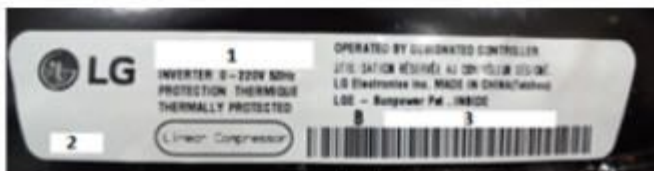




Name Plate



Size : 90mm X 20mm



Private Picture Copyright : WWW.MBSM.PRO

Compressor Label

1. Compressor Model

FLB075LBNA

- **Series name** -----
DLF/FA/FB
- **Displacement** -----
ex)90=9.0 /stroke
- **Application Category** -----
- L : LBP with R134a
- H : HBP with R134a
- N : LBP with R600a
- **Operating Type**
A : A-Inverter
E : E-Inverter
- **Rated Voltage & Frequency**
- M : 220V 50/60Hz
- N : 115V 50/60Hz
- **Efficiency version**
A : 1st generation
B : 2nd generation

2. Refrigerant

3. Serial Number

00 00 9 2003 5 13 0012

- Buyer Code -----
 - Model Code -----
 - Line -----
 - Year -----
 - Month -----
 - Date -----
 - Serial No. -----
- 1 : January O : October
~ N : November
9 : September D : December

Private Picture Copyright : WWW.MBSM.PRO

Defrost	End	Auto	
	Evaporation	Forced method	
	Type of heat shield	Cyclo-Pentane	
F-Room	Fixed Shelf	3	
	Drawer	2	
R-Room	Fixed Shelf	4	
	Shelf(Movable, Folding)	-	
	Egg container	-	
Freezing cycle	Vegetable room	2	
	Compressor driving method	A Logic Inverter operation	
	Evaporation	Pin tube type	
	Condenser	Forced convection method	
	F-Room oil	Freol Alpha5 oil(175cc)	
	Type of refrigerant	R134a(165g)	
	Capillary tube	Φ 0.7/0.9	
Dryer (drying tube)	MOLECULAR SIEVE XH-9		
Electrical parts	Initial defrost	4~5 hours (vary depending on condition)	
	Defrost cycle	9~11 hours (vary depending on condition)	
	Rest time	3 Min	
	Defrost sensor	Returend to defrost function when reaching to 5°C	
	Temp.fuse (rated/ operation temperature)	250V / 72°C	
	Heater Sheath	AC 115V / 260W	
	Parts related with dewing prevention	Dispenser duct door heater	-
		R-Room home bar heater	120V / 6.5W
		F-Room home bar heater	-
		Dispenser heater	DC 12V / 2.5W
	Capacitor	Comp' Running	AC 450V / 20 μF
		l/maker geared motor Running	AC 250V / 14 μF

Private Picture Copyright : WWW.MBSM.PRO

**LG, Refrigerator, Compressor,
FC75LBNA, TCA35271202,
Inverter, AR125VC, R134A,
1/3hp, 0-220V 53HZ**

written by Lilianne | 17 October 2021



LG, Refrigerator, Compressor, FC75LBNA, TCA35271202, Inverter, AR125VC, R134A, 1/3hp, 0-220V 53HZ

ENIEM Refrigerateur, no-frost, Made in Algeria, 540L, 220v-240v/50hz, Inverter, Compressor , Technology , Refrigerator LG, bsa090njmv, Inverter, Small Compressor, 9.8 cc , r600a, 60G, Block dc control inverter

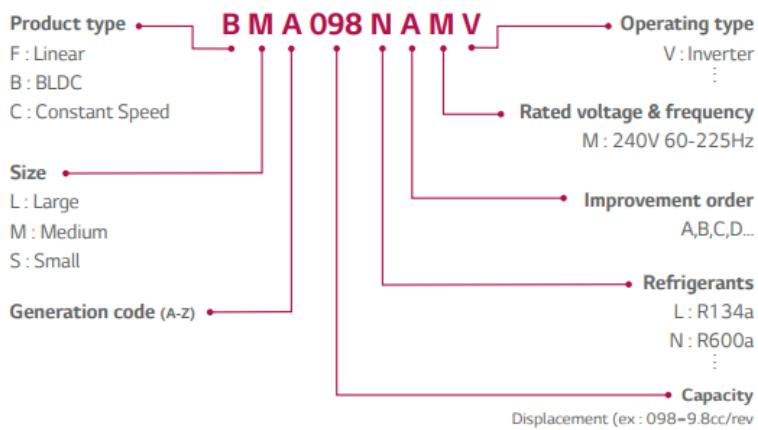
written by Lilianne | 17 October 2021

ENIEM Refrigerateur, Made in Algeria, 540L, 220v-240v/50hz, Inverter, Compressor , Technology , Refrigerator LG, bsa090njmv, Inverter, Small Compressor, 9.8 cc , r600a, Block dc control inverter



Private Picture Copyright : WWW.MBSM.PRO

Nomenclature



Wide operating range

- New oil pumping system
- 1,200-4,500rpm

Private Picture Copyright : WWW.MBSM.PRO



ENIEM

م و ص ك م



MADE IN ALGERIA

صنع في الجزائر

Réfrigérateur No-Frost

Volume total brut

0

0

F

N°5

ALGERIE

108

TN2000

540 L

220V-240V/50Hz

1.09 Kwh/24h

ثلاجة بدون جنيد

الحجم الإجمالي

الكامية

استهلاك الطاقة

متع التبريد

الرقم التسلسلي

ALGERIE

ش. ذ ا م و ص ك م، المنطقة الصناعية عيسى بن عبد الله، الجزائر 108

TM



Private Picture Copyright: WWW.MBSM.PRO

Mbsm_dot_pro_private_PDF_bsa090njmv -
Inverter_Compressor_Technology_for_RefrigeratorReciprocatingTé
lécharger

**Samsung, Compressor, MSV488A-
L1R, Blcdc, Inverter, Samsung
Inverter, R600a, 1/6Hp, Ipm
8.82CC, 115/220V, Stai (**

MSV488AL1R, TT1)

written by Lilianne | 17 October 2021



Private Picture Copyright : WWW.MBSM.PRO



Private Picture Copyright : WWW.MBSM.PRO



Mbsm_dot_pro_private_PDF_compressor-catalogue-2015-1Télécharger

Mbsm_dot_pro_private_PDF_SAMSUNG-Compressor-Catalogue-2018Télécharger

MK 1 62 Q - L 1 U A

① ② ③ ④ ⑤ ⑥ ⑦ ⑧

1) Compressor model identification

NUMBER	MEANING
①	Series CD, SD, MD, SK, MK, HK, MSS, MSA, MSE, ENV, MKV, MSW
②	Refrigerant 1 : R134a (LBP) 4 : R600a (LBP) 6 : R134a (HBP)
③	Displacement (cc/Rev) x 10 24 : 2.40cc, 30 : 2.93cc, 37 : 3.71cc, 43 : 4.38cc, 50 : 5.21cc, 51 : 5.12cc, 52 : 5.21cc, 60 : 6.16cc, 62 : 6.16cc, 70 : 6.99cc, 72 : 7.21cc, 80 : 8.19cc, 82 : 8.19cc, 83 : 8.19cc, 88 : 8.80cc, 90 : 9.07cc, A1 : 10.68cc, A2 : 12.13cc, A3 : 12.52cc, A5 : 15.32cc
④	Rated voltage and frequency B : 220V ~ 60Hz C : 115V ~ 60Hz D : 115-127V ~ 60Hz E : 100V ~ 50/60Hz G : 220-240V ~ 50Hz, 220V ~ 60Hz H : 200-220V ~ 50Hz, 220V ~ 60Hz K : 200-220V ~ 50Hz P : 127V ~ 60Hz Q : 220-240V ~ 50Hz A : variable for BLDC
⑤	Application L/R/S : Low Back Pressure H : High Back Pressure
⑥	Cooling type 0 : Oil cooling 1 : Static 2 : Fan cooling
⑦	Motor type B/C/X : BLDC S : PTC or Current-CSIR U : PTC-RSCR (Optional RSIR) W : PTC-CSR Y : Current-RSIR Z : PTC-RSIR
⑧	Option

2) Serial number

- ① Model code
- ② Production line
- ③ Year : 05 → Y, 06 → L, 07 → P, 08 → Q, 09 → S, 10 → Z, 11 → B, 12 → C, 13 → D, 14 → F, 15 → G
- ④ Month : 1 → Jan, 2 → Feb, ... A → Oct, B → Nov, C → Dec
- ⑤ Serial number





SAMSUNG

 **DIGITAL
INVERTER
TECHNOLOGY**

10 YEAR - ON THE COMPRESSOR
WARRANTY

ADVISORY

**This equipment contains
flammable refrigerant**

For more information on the use of flammable
refrigerant in domestic refrigerators, visit
<http://www.spring.gov.sg/safety>

DA68-02826A REV03.01

ENERGY EFFICIENCY RATING

Low



Annual Energy Cost	Annual Energy Consumption
\$104	384 kWh

Samsung
RT22FARADSA

Refrigerator-freezer
Capacity: 234 L

Based on Singaporean test cycle (IEC 62552)
Based on 2019/2020 electricity tariff and 2019/2020 energy
prices. Annual energy consumption and cost may vary.
For more information, visit www.spring.gov.sg
MEL 5-SAM-RT12021

SAMSUNG

S/N : 51734DAG500342P

MODEL :	RT22FARADSA
RATED VOLTAGE :	230-240 V~
RATED FREQUENCY :	50 Hz
RATED CURRENT :	1.5 A
DEFROSTING INPUT :	(FREEZER : 130 W)
CLIMATIC CLASS OF THE APPLIANCE :	T
INSULATION CLASS OF MOTOR COMPRESSOR WINDING :	130(B)
RATED MAXIMUM INPUT OF LAMP :	(REFRIGERATOR : LED 0.9 W)
NAME OF REFRIGERANT :	R-600a
MASS OF REFRIGERANT :	46 g
NAME OF INSULATION BLOWING GAS :	CYCLOPENTANE
MADE BY SAMSUNG	



1 2 1 8 1 4 - 1 1



RT22FARADSA/SS REV10.01



WARNING / 警告



Iso-butane

Risk of fire or explosion! Flammable refrigerant used.

- Place in well ventilated area to prevent accumulation of refrigerant.
- Repair and disposal must be carried out by trained service personnel.
- No naked flame during servicing or repair.

含有易燃冷却剂! 可导致燃烧或爆炸!
为防止燃烧或者爆炸, 请注意以下事项:
在通风处, 以防止冷却剂的累积
必须由专业人员进行
禁止烟火

inverter PCB testing **5V . 12V . 15V.**
IPM tasting



RT22FARADSA/SS

230 V /50 Hz

MSV488AL1R/TT1

BF3, 1.5m

Serial No.

51734DAG500342P



Hitachi, Freezing, Compressor, R600a, CL1610-DL, INVERTER, 1/5hp, 615BTU / HR /3000RPM, 180W/3000RPM, LBP, 100v 50/60HZ, With oil change

written by Lilianne | 17 October 2021



The advertisement features a central image of a black Hitachi reciprocating compressor. The compressor has a white label with technical specifications and a barcode. Surrounding the compressor are several callouts and graphics:

- CL1610**: Model number in a red box.
- 180 Watts**: Power rating in a red box.
- R600a**: Refrigerant type in a blue box.
- INVERTER**: Technology type in a blue box.
- HITACHI Compressor**: Brand logo in the top right.
- LBP**: Lubrication type in a blue box.
- SATISFACTION 100% GUARANTEE**: A gold seal with a starburst design.
- FREEZING** and **COOLING**: Functional modes indicated by text and arrows.
- RECIPROCATING COMPRESSOR**: Product type in a red box at the bottom left.
- 1/5HP 615BTU**: Capacity and power in a red box at the bottom right.
- CE**, **RoHS**, and **CB**: Compliance logos at the bottom left.

Private Picture Copyright: WWW.MBSM.PRO

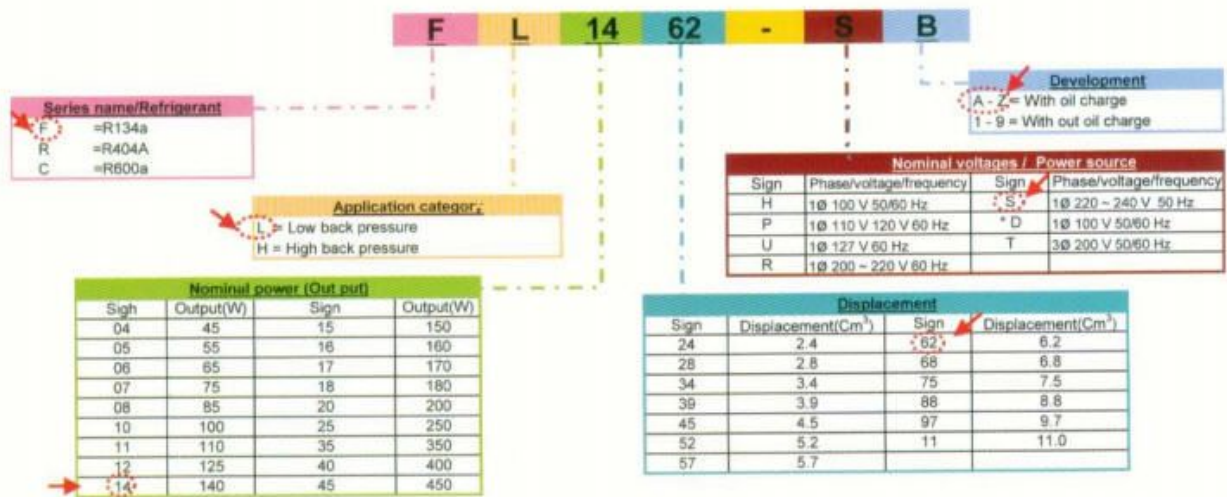
SPECIFICATION

MODEL	Curcuit	HP	BTU/HR	WATTS	PRESSRE BACK	CC
CL1610-DL,DY	INVERTER	1/5	615/3000RPM	180/3000RPM	LBP	10.3

LBP = LOW BACK PRESSURE

Private Picture Copyright : WWW.MBSM.PRO

Detail of Label



Private Picture Copyright : WWW.MBSM.PRO

✘

✘



Private Picture Copyright : WWW.MBSM.PRO



Private Picture Copyright : WWW.MBSM.PRO

Code No.	Model	HP	Capacity (W)	Current (A)	Efficiency COP (w/w)	Voltage / Frequency
R134a Models						
R012001	FL 06S34-TAB	1/12	85	0.70	0.93	220V – 240V / 50Hz
R012002	FL 0739-SQ	1/10	114	0.72	1.20	
R012003	FL 0847-SD	1/8	130	0.83	1.19	
R012005	FL 1152-SB	1/6	143	0.82	1.27	
R012006	FL 1257-SR	1/5	160	0.90	1.25	
R012007	FL 14S62-TAD	1/5	175	0.95	1.30	
R012008	FL 1568-SQ	1/4	200	1.11	1.30	
R012009	FL 20S88-TAC	1/3	255	1.50	1.25	
R012010	FL1888-SE	1/3	245	1.51	1.25	
R600a Models						
	CL 0545-SZ	1/12	62	0.70	1.12	220V – 240V / 50Hz
	CL 1297-SA	1/5	156	0.90	1.46	
	CL 1310-SA	1/5+	163	0.95	1.48	
R600a Models (Inverter)						
	CL 1588-DZ	1/6	134	0.83	1.62	220V – 240V / 50Hz
	CL 1610-DL	1/5	160	0.90	1.65	

Private Picture Copyright : WWW.MBSM.PRO



Private Picture Copyright : WWW.MBSM.PRO

