

Mbsm.pro, Daewoo Compressor, YX58LHP5, R134a, 200 w, 1/4 hp, 683 BTU, Lbp, 95 G, Congélateur, CONDOR NOFROST, 375L

written by Lilianne | 1 September 2022

	JX58LHK4	5.84	161	170	198	675	1.06	1.23	4.19	CSIR	ST/FC	8.2	230
	JX58LHP4	5.84	139	170	198	675	1.22	1.42	4.85	RSCR	ST/FC	8.2	230
	JX58LHP4-K	5.85	155	170	198	675	1.10	1.28	4.35	RSCR	ST/FC	8.2	230
	JX58LHS4	5.84	150	170	198	675	1.13	1.32	4.50	RSIR	ST/FC	8.2	230
YH	HPL15YH-4	5.12	122	135	157	536	1.11	1.29	4.39	RSCR	ST/OC/FC	8.9	290
	HPL17YH-4	5.55	131	148	172	587	1.13	1.31	4.48	RSCR	ST/OC/FC	8.9	290
	HPL19YH-4	5.84	137	170	198	675	1.24	1.44	4.92	RSCR	ST/OC/FC	9.5	290
	HDL21YH-4	6.72	156	189	220	750	1.21	1.41	4.81	CSIR	ST/OC/FC	9.5	290
	HPL21YH-4	6.73	155	188	219	746	1.21	1.41	4.81	RSCR	ST/OC/FC	9.5	290
	HPL23YH-4	7.03	165	201	234	798	1.22	1.42	4.83	RSCR	ST/OC/FC	9.5	290
	HPL26YH-4	8.25	205	235	273	933	1.15	1.33	4.55	RSCR	ST/OC/FC	9.5	290
YX	YX46LHP4	4.62	104	125	145	496	1.20	1.40	4.77	RSCR	ST/OC/FC	8.8	290
	YX51LHP4	5.12	120	150	174	595	1.25	1.45	4.96	RSCR	ST/OC/FC	8.8	290
	YX51LHP4-K	5.12	128	144	168	572	1.12	1.31	4.46	RSCR	ST/OC/FC	8.8	290
	YX58LHP4	5.84	133	172	200	683	1.29	1.50	5.13	RSCR	ST/OC/FC	9.8	290
YG	HPL21YG-4	6.73	175	185	215	734	1.06	1.23	4.20	RSCR	ST/OC/FC	9.0	290
	HPL27YG-4A	8.69	232	250	291	992	1.08	1.25	4.28	RSCR	ST/OC/FC	9.5	290
	HPL30YG-4	9.92	247	283	329	1123	1.15	1.33	4.55	RSCR	ST/OC/FC	9.5	290





Private Picture Copyright : WWW.MBSM.PRO



Réfrigérateur - Congélateur

Modèle H 430NC Classe T

Volume brut 375L

Volume utile compt denrées fraîche 242L

Volume utile compt basse température 90L

Voltage / Fréquence 220-240V - 50Hz

Puissance 0.8A

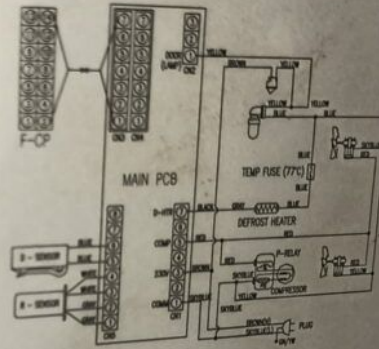
Puissance de dégivrage 180W

Puissance de lampe 25W*1

Réfrigérant R134a 95grs

N° de série

WIRING DIAGRAM



Note: 1. laissez au moins 5cm d'espace libre à l'arrière de l'appareil pour une bonne ventilation.
2. Après avoir débranché l'appareil, attendre 5 minutes avant de le rebrancher.

W341-S



Private Picture Copyright : WWW.MBSM.PRO

Mbsm_dot_pro_private_PDF_YX58LHP5-R134aTélécharger

**Mbsm.pro, Compressor,
D91c21rax5, 1/4 hp, Lbp, 230
w, R134a, 135 G,
refrigerator, Goldi, Nt1800,
no frost, 2 doors, 509 L,**

replaced by GL99aa

written by Lilianne | 1 September 2022



Mbsm.pro, Compressor, D91c21rax5, 1/4 hp, Lbp, 230 w, R134a, 135 G, refrigerator, Goldi, Nt1800, no frost, 2 doors, 509 L, replaced by G199aa

Mbsm.pro, compressor, Secop, GTK55AT, 170W, R134, LBP, 1/5 HP, RSIR, 579 BTU

written by Lilianne | 1 September 2022



Private Picture Copyright : WWW.MBSM.PRO

Mbsm.pro, compressor, Secop, GTK55AT, 170W, R134, LBP, 1/5 HP, RSIR, 579 BTU

Mbsm.pro, Embraco, ERU280HSP, hermetic reciprocating, low temperature, refrigeration, compressor, 1/4 hp, Lbp, R134 a

written by Lilianne | 1 September 2022



Private Picture Copyright : WWW.MBSM.PRO

Mbsm.pro, Embraco, ERU280HSP, hermetic reciprocating, low temperature, refrigeration, compressor, 1/4 hp, Lbp, R134 a

Mbsm.pro, Compressor, fla150nbma, LG inverter freezer compressor, LBP, R600, 280 w, 1/3 hp

written by Lilianne | 1 September 2022



Private Picture Copyright : WWW.MBSM.PRO

Mbsm.pro, Compressor, fla150nbma, LG inverter freezer
compressor, LBP, R600, 280 w, 1/3 hp

Mbsm.pro, water dispenser, compressor, S30G, 1/12 hp, Lbp, r134a

written by Lilianne | 1 September 2022



Mbsm.pro, water dispenser, compressor, S30G, 1/12 hp, Lbp, r134a

Mbsm.pro, Refrigeration, Compressor, AQAW77X, ATA72XL, R134a, LBP, Wire : copper , 180 w

written by Jamila | 1 September 2022



Private Picture Copyright : WWW.MBSM.PRO

Mbsm.pro, Refrigeration, Compressor, AQAW77X, ATA72XL, R134a, LBP, Wire : copper , 180 w

**Mbsm.pro, Compressor,
hys69yq, 1/4 hp, 1bp, HiTech,
r134a**

written by Lilianne | 1 September 2022



Private Picture Copyright : WWW.MBSM.PRO

Mbsm.pro, Compressor, hys69yq, 1/4 hp, 1bp, HiTech, r134a

Mbsm.pro, compressor, EGM60AF, zmc, Manufacturing Compressor Misr , 1/6 hp, LBP, RSIR / RSCR

written by Lilianne | 1 September 2022



Mbsm.pro, compressor, EGM60AF, zmc, Manufacturing Compressor Misr , 1/6 hp, LBP, RSIR / RSCR

Mbsm.pro, Huayi, Compressor, HY131MTU, 235 w, 1/3 hp, lbp,

30 feets, Unionaire, 2 doors, r600a

written by Lilianne | 1 September 2022

China Appliance Supplier Inform	HY系列 (L.B.P)							
	型号	电压 (V)	频率 (Hz)	冷却方式	汽缸容积 (cm ³)	制冷量 (W)	COP (W/W)	电机类型
	HYS69MGU	220~240°	50	ST	6.9	120	1.60	RSCR
	HYS69MKU	220~240°	50	ST	6.9	120	1.65	RSCR
	HYS81MKU	220~240°	50	ST	8.1	138	1.65	RSCR
	HY55MTU	220~240°	50	ST	5.5	92	1.74	RSCR
	HYS60MTU	220~240°	50	ST	6.0	100	1.74	RSCR
	HYS69MTU	220~240°	50	ST	6.9	120	1.72	RSCR
	HYS81MTU	220~240°	50	ST	8.1	138	1.72	RSCR
	HY55MSU	220~240°	50	ST	5.5	93	1.83	RSCR
	HYS60MSU	220~240°	50	ST	6.0	100	1.83	RSCR
	HYS69MSU	220~240°	50	ST	6.9	120	1.83	RSCR
	HY55MXU	220~240°	50	ST	5.5	93	1.88	RSCR
	HYS60MXU	220~240°	50	ST	6.0	102	1.88	RSCR
	HYS69MXU	220~240°	50	ST	6.9	120	1.88	RSCR
	HYS69MDU	220~240°	50	ST	6.9	122	1.95	RSCR
	HYS69MKUL42	115°	60	ST	6.9	140	1.65	RSCR
	HY系列 (L.B.P)							
	HY113MKU	220~240°	50	ST	11.3	203	1.65	RSCR
	HY113MKU	220~240°	50	ST	13.1	235	1.65	RSCR
	HY153MKU	220~240°	50	ST	15.3	270	1.65	RSCR
	HY113MTU	220~240°	50	ST	11.3	203	1.73	RSCR
	HY113MTU	220~240°	50	ST	13.1	235	1.75	RSCR
	HY153MTU	220~240°	50	ST	15.3	270	1.72	RSCR
	HY113MSU	220~240°	50	ST	11.3	205	1.85	RSCR
	HY113MSU	220~240°	50	ST	13.1	240	1.85	RSCR
	HY153MSU	220~240°	50	ST	15.3	272	1.80	RSCR
	HY113MXU	220~240°	50	ST	11.3	208	1.90	RSCR
	HY131MXU	220~240°	50	ST	13.1	245	1.90	RSCR
	华意R134a低背压压缩机参数表							
	型号	电压 (V)	频率 (Hz)	冷却方式	汽缸容积 (cm ³)	制冷量 (W)	COP (W/W)	电机类型
	HYE系列 (L.B.P)							
	HYE55Y63	220~240°	50~60	ST	5.5	150	1.28	RSIR
	HYE55Y63	220~240°	50~60	ST	5.5	150	1.35	RSCR
	HYE55Y	220~240°	50	ST	5.5	150	1.28	RSIR
	HYE60Y63	220~240°	50~60	ST	6.0	170	1.28	RSIR

Private Picture Copyright : WWW.MBSM.PRO

Mbsm.pro, Huayi, Compressor, HY131MTU, 235 w, 1/3 hp, 1bp, 30 feets, Unionaire, 2 doors, r600a