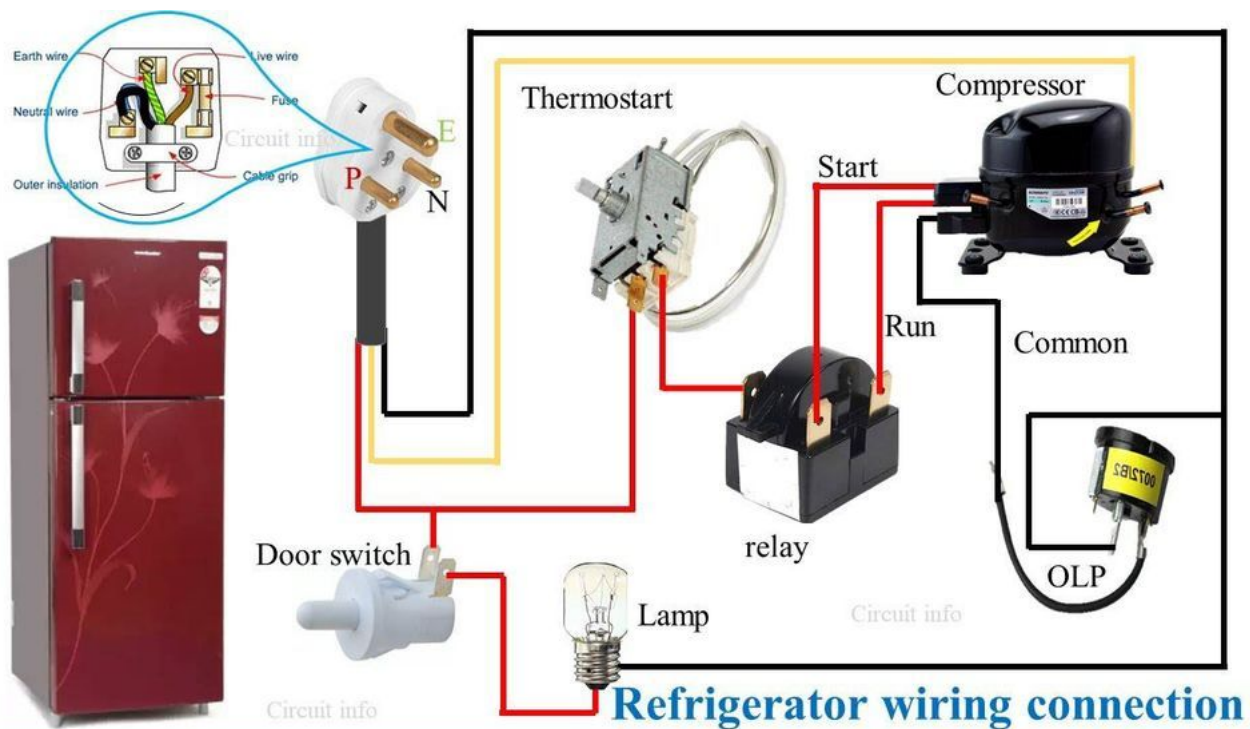


Mbsm.pro, refrigerator connection

Pictures, wiring

written by Lilianne | 28 March 2023



Private Picture Copyright : WWW.MBSM.PRO

Mbsm.pro, Pictures, refrigerator wiring connection

Mbsm.pro, Pictures, machine à laver, mabe Olimpia, 228C2032G001, 228C2032 G001

written by Lilianne | 28 March 2023



Private Picture Copyright : WWW.MBSM.PRO

Mbsm.pro, Pictures, machine à laver, mabe Olimpia,
228C2032G001, 228C2032 G001

**Mbsm.pro, Compressor,
kce431haa, R12, HBP, 1/4
hp++, 1/3 hp-, 410 w, only
cooling, kcx serie**

written by Lilianne | 28 March 2023



Private Picture Copyright : WWW.MBSM.PRO

Mbsm.pro, Compressor, kce431haa, R12, HBP, 1/4 hp++, 1/3 hp-, 410 w, only cooling,

Mbsm.pro, Files, PDF, NUEVA WEB AREA COOLING SOLUTIONS

written by Lilianne | 28 March 2023

home) - P. Verificación bomba (por ventilador)

R 404A
R502
R507A

1.00 BAJA TEMPERATURA, Monof. 220/240 V 50 Hz

Modelo	Tipo	CV.	Cm3	Rendimientos en W						Código	Precio €
				-40	-35	-30	-25	-20	-10		
ML45FB	F	1/6	4,6	50	69	95	128	166	265	10001	134,00
ML60FB	F	1/5	5,67	66	93	128	170	210	339	10002	140,00
ML80FB	F	1/4	8,85	95	133	182	242	312	488	10003	146,00
ML90FB	F	1/3	8,85	83	134	193	264	342	529	10004	151,00
MP12FB	F	3/8	12,00	74	147	234	335	449	719	10005	172,00
MPI4FB	F	1/2	14,00	116	195	291	404	536	847	10006	185,00
MX18FB-V*	F	5/8	18,20	99	202	331	492	683	1155	10007	330,00
MX23FB-V*	F	7/8	23,2	132	280	415	720	828	1470	10008	347,00
MS26FB-V*	F	3/4	26,15	165	331	525	745	993	1569	10009	365,00
MS30FB-V*	F	7/8	30,00	198	395	626	890	1194	1901	10010	381,00
MS34FB-V*	F	1	34,25	231	456	729	1040	1395	2229	10011	415,00

R134a

1.10 BAJA TEMPERATURA, Monof. 220/240 V 50 Hz

Modelo	Tipo	CV.	Cm3	Rendimientos en W						Código	Precio €
				-35	-30	-25	-23,3	-20	-10		
GD24AA**	S	1/20	2,42	12	21	30	40	70	90	10015	102,00
GD30AA**	S	1/12	3,05	21	33	49	55	68	112	10016	103,00
GD36AA**	S	1/12	3,58	26	40	58	65	79	130	10017	104,00
GD40AA**	S	1/10	4,03	31	48	67	74	90	149	10018	105,00
GL45AA**	S	1/8	4,56	34	54	78	88	108	180	10019	117,00
GL50AA**	S	1/7	5,12	34	64	91	102	124	207	10020	121,00
GL60AA**	S	1/6	5,99	50	76	108	120	146	241	10021	123,00
GL70AA	S-OC	1/5	6,64	58	87	122	135	164	270	10022	126,00
GL80AA	S-OC	1/5	8,1	69	102	146	162	197	330	10023	134,00
GL80BH	OC	1/5	8,1	69	102	146	162	197	330	10024	135,00
GL90AA**	S-OC	1/4	9,08	83	120	167	184	221	364	10025	143,00
GL90BH	OC	1/4	9,08	83	120	167	184	221	364	10026	146,00
GL12AB	S	1/3	12	84	133	192	214	261	429	10027	161,00
GP12BB	OC	1/3	12	84	133	192	214	261	429	10028	165,00
GP12FB	F	1/3	12	84	133	192	214	261	429	10029	172,00
GP14BB	OC	3/8	14	100	159	230	257	313	514	10030	175,00
GP14FB	F	3/8	14	105	167	242	270	329	540	10031	179,00

Datos temp. condensación y líquido +55° C / ambiente y aspiración +32° C

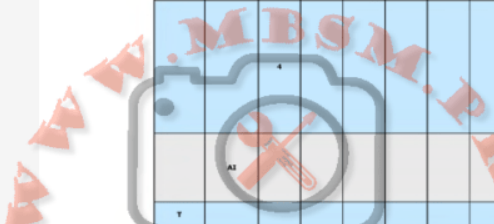


Private Picture Copyright : WWW.MBSM.PRO

Mbsm.pro, Files, PDF, NUEVA WEB AREA COOLING SOLUTIONS

Mbsm.pro, Files, Pdf, analog, TECUMSEH, EUROPE, R12

written by Lilianne | 28 March 2023



4	Применение
1	Низкое испарное давление, Двигатель с стандартной стартовой крутящей момент
2	Низкое давление испарения, Двигатель с низким крутящим момент
3	Высокое давление испарения, Двигатель с стандартной стартовой крутящей момент
4	Высокое давление испарения, Двигатель с низким крутящим момент
5	Минициклоп
6	Среднее и высокое давление испарения, Двигатель с высоким крутящим моментом
7	Среднее и высокое давление испарения, Двигатель с высоким стандартной стартовой крутящей момент
8	Семейство R12-ASEZ-AE-AE-TL-FR-FA-FC-MSA
9	Обозначает компрессоры, предназначенные для параллельного разбора
0	Обозначает компрессор, установлен в "паре"
1	Обозначает одно-гребного вала конденсация групп
2	или полетель = однофазный
3	или трехфазный

R12-низкотемпературные КОМПРЕССОРЫ

TECUMSEH EUROPE	Мощность, л.с.	Aspera	Danfoss	Necchi	бывший Electrolux	Zanussi	DKK
AE12Z7	1/12	A1055	TL3A	M3,5	D30AS	E30601	KHO,63N06
AZ1335D	1/8	A1075	TL4A	M4	D36AS	E44101	KHO,75N07
AZ1355D	1/6	A1111	TL5A	M5	L55A	V1040G	MH1,0N12
AEZ1360A	1/5	B1112	FR7,5A	M7	L76A	V1350E	MH1,25N12
AEZ1380A	1/4	A1118	FR10A	M9	L88	E88102	MH1,6H15
AE1410A	1/3	E1121	FR11A	M11	P12		MH2,0H15
AE1412A	3/8	T1124	SC15A	M13	P14		

R12-высокотемпературные КОМПРЕССОРЫ

TECUMSEH EUROPE	Мощность, л.с.	Aspera	Danfoss	Necchi	бывший Electrolux	DKK
AZ9387	1/6	A5132	FR6BX	M4H	AE65ZA7	
CAE592F9	1/5	A5160	FR8,5B	M7H	L57PX	MH1,25N18
CAE4440A	1/3	E6185	SC10B		P14TY	
CAJ4452A	3/8	E6187	SC12B			
CAJ4461A	1/2	T6213	SC15B		CAJ2P	
CAJ4492A	3/4	J6220	SC21B			
CAJ4511A	1	J6226				
CAH4518A	1,5	H6238				
CAH4525A	2	H6253				

Private Picture Copyright : WWW.MBSM.PRO

Mbsm.pro, Files, PDF, analog, TECUMSEH, EUROPE, R12

Mbsm.pro, Files, PDF, HERMETIC COMPRESSORS AND SPARES, EMBRACO

written by Lilianne | 28 March 2023

HERMETIC COMPRESSORS AND SPARES

EMBRACO

A range of domestic/light commercial compressors covering applications using R12 (alternative replacements) and R134A refrigerants. Compressors are supplied with LST electrics as standard. PW/FF compressors can be fitted with a start capacitor for HST applications.



CODE	MODEL	APPLICATION	VOLTS/HZ	DISP CC	NOM HP	LIST £
R12 REFRIGERANT						
040453	EM30NP	LBP	220-240/50	3.01	1/10	81.08
040456	EM40NP	LBP	220-240/50	3.77	1/8	84.29
040459	EM55NP	LBP	220-240/50	4.99	1/6	88.14
040465	PW3.5K9	H/M/LBP	220/50-60	3.47	1/8	78.23
040468	PW4.5K11	H/M/LBP	220/50-60	4.33	1/6	81.65
040474	FF6BK	H/M/LBP	220-240/50	6.23	1/5	91.00
040477	FF7.5BK	H/M/LBP	220-240/50	6.93	1/5	93.51
R134A REFRIGERANT						
040503	EM30HNP	LBP	220-240/50	3.01	1/12	97.88
040506	EM40HNP	LBP	220-240/50	3.77	1/10	100.88
040509	EM50HNP	LBP	220-240/50	4.99	1/8	102.83
040512	EM60HNP	LBP	220-240/50	5.54	1/6	106.66
040568	EM45HHR	M/M/LBP	220-240/50	3.77	1/10	101.25
040569	EM55HHR	HBP	220-240/50	4.60	1/8	104.88
040570	EM65HHR	HBP	220-240/50	5.54	1/6	109.15
040533	PW3.5HK9	HBP	220-240/50-60	3.47	1/8	95.54
040536	PW4.5HK11	HBP	220-240/50-60	4.33	1/6	97.89
040515	FFI6HAK	H/M/LBP	220-240/50-60	6.23	1/5	108.73
040518	FG75HAK	H/M/LBP	220-240/50	7.95	1/4	111.13
040521	FG85HAK	H/M/LBP	220-240/50	9.05	1/4	114.84
040527	FFI10HAK	H/M/LBP	220-240/50-60	9.05	1/4	121.31
040530	FFI12HBK	H/M/LBP	220-240/50	11.15	1/3	137.60

Private Picture Copyright : WWW.MBSM.PRO

Mbsm.pro, Files, PDF, HERMETIC COMPRESSORS AND SPARES

Mbsm.pro, Files, Docx, COMPRESSOR EQUIVALENCE, r12

written by Lilianne | 28 March 2023

COMPRESSOR EQUIVALENCE
IDENTIFY YOUR COMPRESSORS

CODE	DESCRIPTION
T AJ 4 5 19 Z H R	Group description
T AJ 4 5 19 Z	Compressor description
R	No letter = welding valve Letter R = with bottle
H	H = high induction pressure (-15°C à + 15°C) B = low induction pressure (-40°C à -10°C) M = medium and high induction pressure (-25°C à +15°C)
Z	A, B, or D = refrigerant R12 C = refrigerant R407 E, F, G or H = refrigerant R22 J, K, L = refrigerant R502 T = refrigerant R22 or R502 Y = refrigerant R134A Z = refrigerant R404A or R407B or R507
19	Corresponds to the first refrigeration power numbers expressed in BTU/h at 60Hz Example : 19 preceded by the number 3 means 19 000 BTU/h
5	Number of figures composing the refrigeration power Example : 19 000 BTU/h
4	Applications 1 = Low vaporization pressure. Engine with standard start-up torque 2 = Low vaporization pressure. Engine with start-up torque 3 = High vaporization pressure. Engine with standard start-up torque 4 = High vaporization pressure. Engine with start-up torque 5 = Air conditioning 9 = Medium and high vaporization pressure. Engine with high start-up torque 0 = Medium and high vaporization pressure. Engine with high standard start-up torque
AJ	Family : TH-AZ-AEZ-AE-AJ-FH-AH-AN-RK-RGA P designates compressors intended for parallel disassembly Ex : TAHF, TAGP, TANP D designates compressors mounted in 'couple' S designates single-propeller condensation groups C or noletter = single-phased T = tri-phased

R12-POWERED LOW PRESSURE COMPRESSORS

Hermetic Unit	CV	Aspera	Danfoss	Necchi	Uninad	Zanussi	DKK
AE1227	1/12	A1055	TL3A	M3,5	D30AS	E30601	KH0,63N06
AZ1335D	1/8	A1075	TL4A	M4	D36AS	E44101	KH0,75N07
AZ1255D	1/6	A1111	TL5A	M5	L55A	V1040G	MH1,0N12
AE21360A	1/5	B1112	FR7,5A	M7	L76A	V1350E	MH1,25N12
AE21380A	1/4	A1118	FR10A	M9	L88	E88102	MH1,6H15
AE1410A	1/3	E1121	FR11A	M11	P12		MH2,0H15
AE1412A	3/8	T1124	SC15A	M13	P14		

This table is published for your guidance only, on no account shall SOGAFRIC SERVICES be held liable for it.

R12-POWERED HIGH PRESSURE COMPRESSORS

Hermetic Unit	CV	Aspera	Danfoss	Necchi	Uninad	DKK
AZ9287	1/6	A5132	FR6X	M4H	AE65Z47	
CAE592F9	1/5	A5160	FR6,5B	M7H	LS7PX	MH1,25N18
CAE4440A	1/3	E6185	SC10B		P14TY	
CAJ4452A	3/8	E6187	SC12B			
CAJ4461A	1/2	T6213	SC15B		CAJ2P	
CAJ4492A	3/4	J6220	SC21B			
CAJ4511A	1	J6226				
CAH4518A	1,5	H6238				
CAH4525A	2	H6253				

This table is published for your guidance only, on no account shall SOGAFRIC SERVICES be held liable for it.



Private Picture Copyright : WWW.MBSM.PRO

Mbsm.pro, Files, Docx, COMPRESSOR EQUIVALENCE, r12

**Mbsm.pro, Compressor,
AHA4525AFZ, CAH4525A, 2 hp,
r12**

written by Lilianne | 28 March 2023



Private Picture Copyright : WWW.MBSM.PRO

Mbsm.pro, Compressor, AHA4525AFZ, CAH4525A, H6253, 2 hp, r12

**Mbsm.pro, Compressor,
NEU6212Z, 1/2 hp, EMBRACO,
ASPERA, R134A, hbp**

written by Lilianne | 28 March 2023



Mbsm.pro, Compressor, NEU6212Z, 1/2 hp, EMBRACO, ASPERA, R134A, hbp

Mbsm.pro, Compressor, CAE59ZF9, 1/5 hp, r12

written by Lilianne | 28 March 2023



Mbsm.pro, Compressor, CAE59ZF9, 1/5 hp, r12