

**ENIEM Refrigerateur, no-frost, Made in Algeria, 540L, 220v-240v/50hz, Inverter, Compressor , Technology , Refrigerator LG, bsa090njmv, Inverter, Small Compressor, 9.8 cc , r600a, 60G, Block dc control inverter**

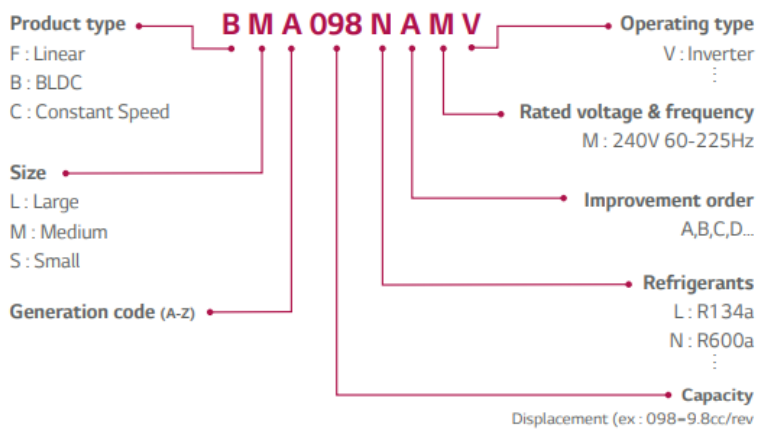
written by Lilianne | 11 January 2021

ENIEM Refrigerateur, Made in Algeria, 540L, 220v-240v/50hz, Inverter, Compressor , Technology , Refrigerator LG, bsa090njmv, Inverter, Small Compressor, 9.8 cc , r600a, Block dc control inverter



Private Picture Copyright : [WWW.MBSM.PRO](http://WWW.MBSM.PRO)

## Nomenclature



### Wide operating range

- New oil pumping system
- 1,200-4,500rpm

Private Picture Copyright : [WWW.MBSM.PRO](http://WWW.MBSM.PRO)



Private Picture Copyright: [WWW.MBSM.PRO](http://WWW.MBSM.PRO)



Mbsm\_dot\_pro\_private\_PDF\_bsa090njmv -

# **Compressor , HTK95AA, R600, 1/5HP, KAPPA, LBP , SMART TECHNOLOGY, Réfrigérateur INDESIT 2 Portes, NO FROST**

written by Lilianne | 11 January 2021

Compressor , HTK95AA, R600, 1/5HP, KAPPA, LBP , SMART  
TECHNOLOGY, Réfrigérateur INDESIT 2 Portes, NO FROST